



US00D761808S

(12) **United States Design Patent**  
**Quinn et al.**

(10) **Patent No.:** **US D761,808 S**  
(45) **Date of Patent:** **\*\* Jul. 19, 2016**

(54) **DISPLAY SCREEN WITH TRANSITIONAL GRAPHICAL USER INTERFACE**

(71) Applicant: **St. Jude Medical, Cardiology Division, Inc.**, St. Paul, MN (US)

(72) Inventors: **Michael A. Quinn**, St. Paul, MN (US);  
**Daniel R. Starks**, Lake Elmo, MN (US)

(73) Assignee: **St. Jude Medical, Cardiology Division, Inc.**, St. Paul, MN (US)

(\*\*) Term: **14 Years**

(21) Appl. No.: **29/489,669**

(22) Filed: **May 1, 2014**

(51) **LOC (10) Cl.** ..... **14-04**

(52) **U.S. Cl.**  
USPC ..... **D14/485**

(58) **Field of Classification Search**  
USPC ..... D14/485-495; 715/700, 702-703, 764,  
715/864, 961-962  
CPC ..... G06F 3/048  
See application file for complete search history.

(56) **References Cited**

**U.S. PATENT DOCUMENTS**

D240,647 S *	7/1976	Root	.....	273/157 R
D243,320 S	2/1977	MacWilliams		
D359,545 S	6/1995	Canler		
D362,402 S	9/1995	Hite		
D372,308 S	7/1996	Stuart		
D401,666 S	11/1998	Lee		
D401,997 S	12/1998	Lee		
D401,998 S	12/1998	Lee		
D471,599 S *	3/2003	Manville	.....	D21/493
D471,949 S	3/2003	Thomas		
D517,123 S	3/2006	Sidwell		

(Continued)

**FOREIGN PATENT DOCUMENTS**

EP	2248480 A1	11/2010
EP	2201890 B1	1/2013
WO	2010147972 A1	12/2010

**OTHER PUBLICATIONS**

'Heart Catheterization Animation'. webmd.com [online]. Jan. 23, 2014 [retrieved Nov. 24, 2015]. Retrieved from the Internet: <URL: <http://www.webmd.com/heart-disease/video/cardiac-catheterization>>.\*

(Continued)

*Primary Examiner* — Eric Goodman

*Assistant Examiner* — Megan M Majcher Hartnett

(74) *Attorney, Agent, or Firm* — Dykema Gossett PLLC

(57) **CLAIM**

The ornamental design for a display screen with transitional graphical user interface, as shown and described.

**DESCRIPTION**

This application is related to U.S. design application Ser. No. 29/489,667, filed May 1, 2014.

FIG. 1 illustrates a first image in a sequence for a display screen, showing our new design.

FIG. 2 is a second image thereof;

FIG. 3 is a third image thereof;

FIG. 4 is a fourth image thereof;

FIG. 5 is a fifth image thereof;

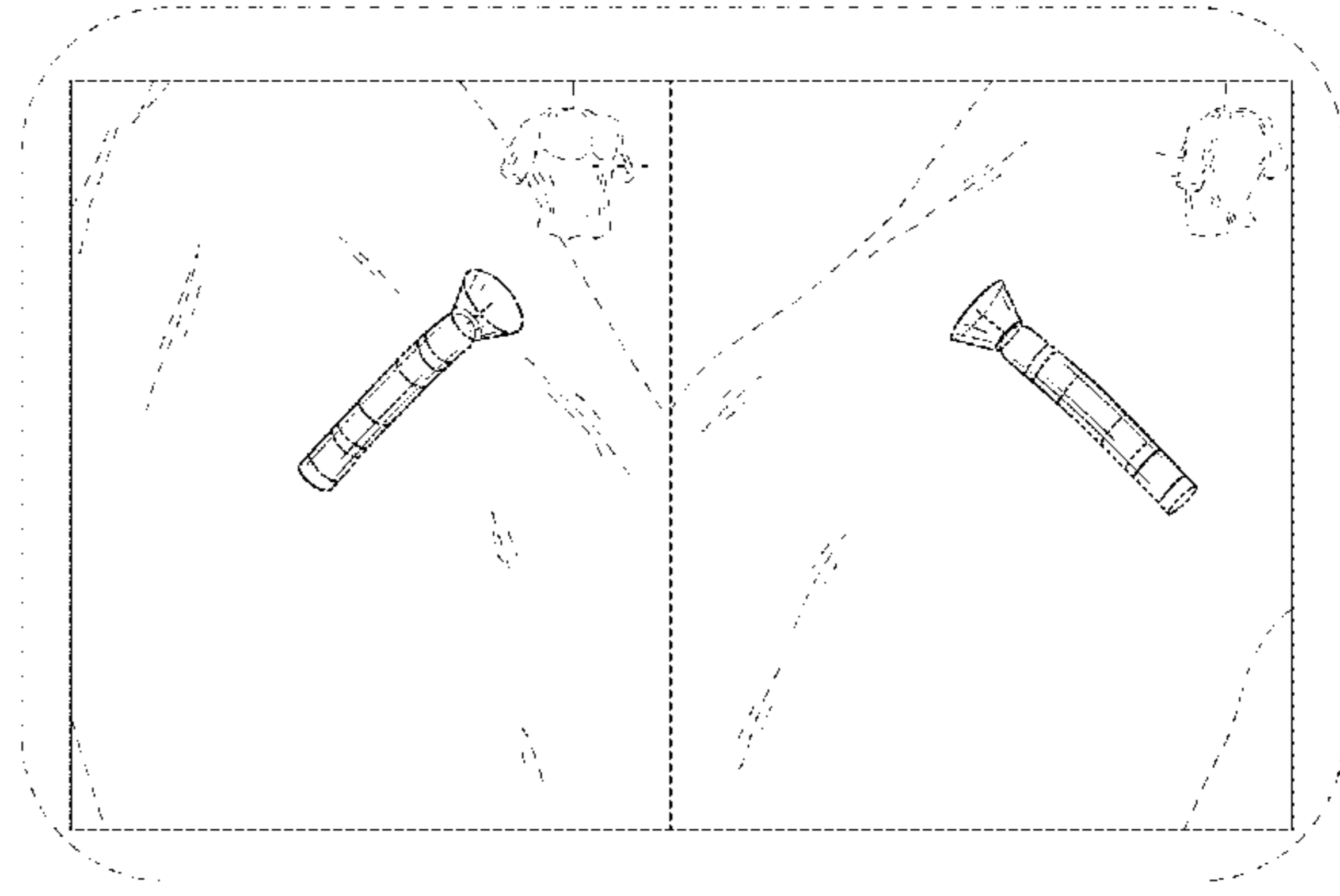
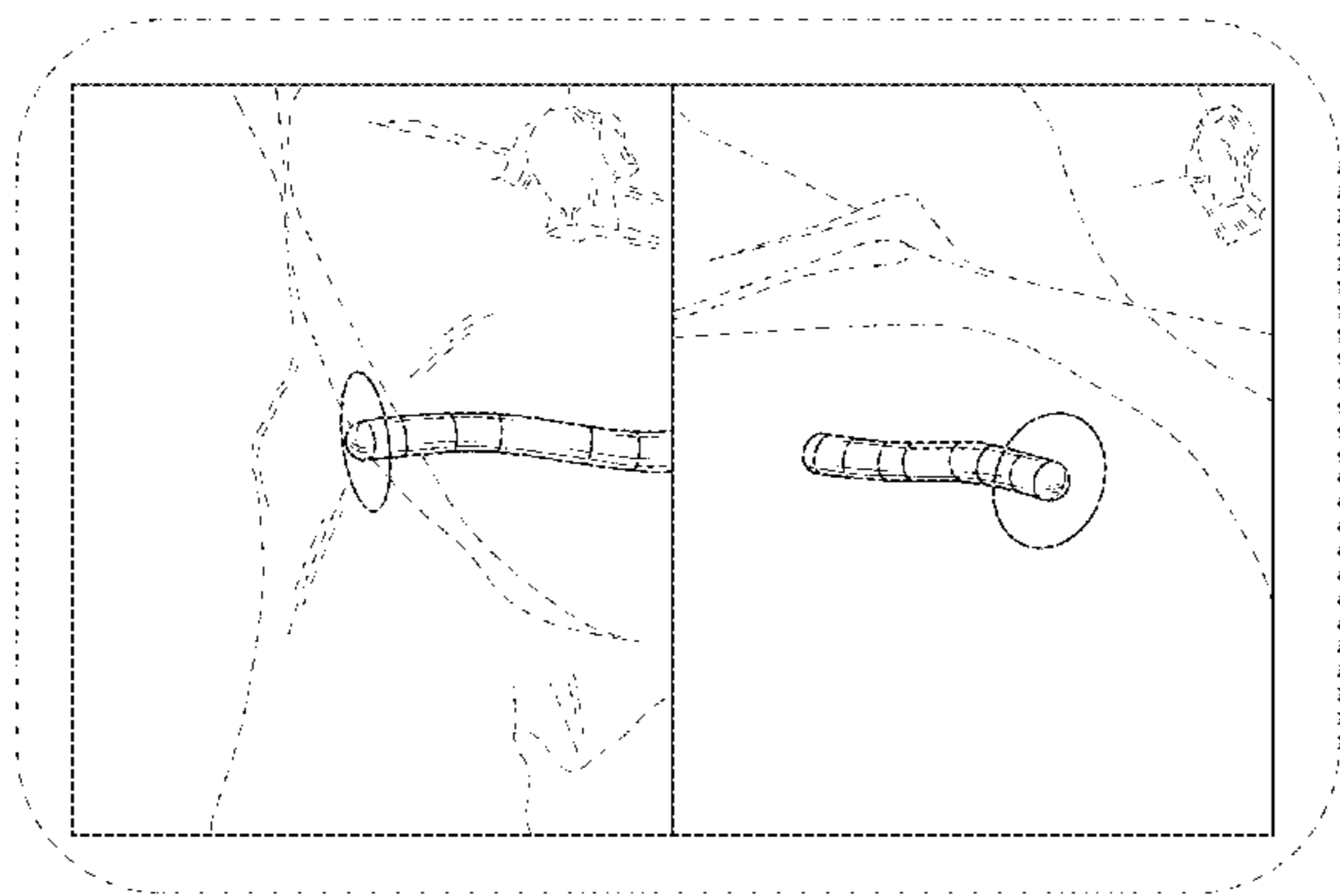
FIG. 6 is a sixth image thereof;

FIG. 7 is a seventh image thereof; and,

FIG. 8 is an eighth image thereof.

The broken line showing of the display screen is for the purpose of illustrating environment and forms no part of the claimed design. The broken line showing of elements on the display screen illustrate portions of the article and form no part of the claimed design. The appearance of the transitional image sequentially transitions between the images shown in FIGS. 1-8. The process or period in which one image transitions to another forms no part of the claimed invention.

**1 Claim, 8 Drawing Sheets**



(56)

References Cited

U.S. PATENT DOCUMENTS

D520,576 S 5/2006 Sonnon et al.  
 D542,914 S 5/2007 Tanghoj  
 D550,356 S 9/2007 Anderson et al.  
 D552,733 S 10/2007 Criscuolo et al.  
 D558,086 S 12/2007 Herber  
 D562,411 S \* 2/2008 Jones ..... D21/387  
 D572,772 S 7/2008 Barton  
 D575,353 S 8/2008 Barton  
 D577,391 S 9/2008 Barton  
 7,511,703 B2 \* 3/2009 Wilson ..... G06F 3/0425  
 178/18.09  
 D603,044 S \* 10/2009 Appling ..... D24/130  
 D617,448 S \* 6/2010 Singh ..... D24/112  
 D625,409 S 10/2010 Chesnin et al.  
 D626,648 S 11/2010 Ahlgren  
 D627,836 S 11/2010 Hanoun  
 D627,879 S 11/2010 Bruns  
 D628,659 S 12/2010 Burns  
 D630,321 S 1/2011 Hamilton, Jr.  
 D630,729 S 1/2011 Bierman  
 D630,733 S 1/2011 Ahlgren  
 D631,154 S 1/2011 Hamilton, Jr.  
 D640,767 S \* 6/2011 Renosky ..... D22/127  
 D648,851 S 11/2011 Copeland  
 D657,787 S 4/2012 Fletcher  
 D659,212 S 5/2012 Smith et al.  
 8,206,380 B2 6/2012 Lenihan et al.  
 D663,743 S \* 7/2012 Tanghe ..... D14/489  
 D663,744 S \* 7/2012 Tanghe ..... D14/489  
 D689,089 S \* 9/2013 Impas ..... D14/489  
 8,532,738 B2 9/2013 Zino  
 D699,745 S \* 2/2014 Pearson ..... D14/488  
 D700,318 S 2/2014 Amoah et al.  
 D704,330 S 5/2014 Cicutelli  
 D705,925 S 5/2014 Murray et al.  
 8,849,382 B2 9/2014 Cox et al.  
 8,979,842 B2 3/2015 McNall, III et al.  
 D727,437 S 4/2015 Padilla  
 9,005,106 B2 4/2015 Gross et al.  
 9,113,843 B2 8/2015 Manstrom et al.  
 D738,434 S \* 9/2015 Baumann ..... D21/398  
 D738,960 S 9/2015 Padilla  
 D738,961 S 9/2015 Padilla  
 D739,472 S 9/2015 Padilla  
 D739,473 S 9/2015 Padilla  
 D914,071 9/2015 Wilson et al.  
 9,125,600 B2 9/2015 Steube et al.  
 9,125,655 B2 9/2015 Gharib et al.  
 9,144,449 B2 \* 9/2015 Burr ..... A61B 18/0218  
 D741,901 S \* 10/2015 Gardner ..... D14/489  
 9,152,829 B2 10/2015 Day et al.  
 9,186,063 B2 \* 11/2015 Goldman ..... A61B 5/0059  
 D748,137 S 1/2016 Merschon et al.  
 D753,150 S \* 4/2016 Chmiel ..... D14/485  
 9,326,700 B2 5/2016 Govari et al.  
 2008/0091121 A1 4/2008 Sun et al.  
 2008/0294144 A1 11/2008 Leo et al.

2009/0177111 A1 7/2009 Miller et al.  
 2010/0169815 A1 7/2010 Zhao et al.  
 2011/0144524 A1 \* 6/2011 Fish ..... A61B 18/1492  
 600/547  
 2012/0157825 A1 \* 6/2012 Koyrakh ..... A61B 5/7221  
 600/424  
 2012/0172713 A1 \* 7/2012 Carbonera ..... A61B 5/6855  
 600/424  
 2012/0237105 A1 \* 9/2012 Mielekamp ..... G06T 19/00  
 382/132  
 2014/0100484 A1 4/2014 Tsusaka et al.  
 2015/0313547 A1 \* 11/2015 Quinn ..... A61B 5/6885  
 600/587

OTHER PUBLICATIONS

'Insulin pen instruction animation'. youtube.com [online]. Sep. 16, 2011 [retrieved Nov. 24, 2015]. Retrieved from the Internet: <URL: [https://www.youtube.com/watch?v=INo8\\_IoL\\_3g](https://www.youtube.com/watch?v=INo8_IoL_3g)>.\*  
 'Nerf Dart Greenscreen'. youtube.com [online]. Jun. 10, 2013 [retrieved Nov. 24, 2015]. Retrieved from the Internet: <URL: [https://www.youtube.com/watch?v=OTRbM0Dt\\_W4](https://www.youtube.com/watch?v=OTRbM0Dt_W4)>.\*  
 'Death Worm Gameplay'. youtube.com [online]. Jul. 27, 2008 [retrieved Nov. 24, 2015]. Retrieved from the Internet: <URL: <https://www.youtube.com/watch?v=jBSgw7XgRIU>>.\*  
 Kwok et al., "MRI-based visual and haptic catheter feedback: simulating a novel system's contribution to efficient and safe MRI-guided cardiac electrophysiology procedures," Journal of Cardiovascular Magnetic Resonance (<http://www.jcmr-online.com/content/16/S1/O50>), Jan. 16, 2014, pp. 1-3.  
 Kesner, Samuel B. et al., "Discriminating Tissue Stiffness with a Haptic Catheter: Feeling the Inside of the Beating Heart," IEEE—World Haptics Conference 2011, Jun. 22-24, 2011, Istanbul, Turkey, pp. 1-6.  
 Biosense Webster, Inc., "ThermoCool\*SmartTouch" Contact Force Sensing Catheter [Brochure]. (2011) ([http://www.incathlab.com/files/12110\\_brochure\\_SmartTouch\\_Bdef.pdf](http://www.incathlab.com/files/12110_brochure_SmartTouch_Bdef.pdf)), n.p., n. pag.  
 Alternative to Open Heart Bypass Surgery at Sanford Health, posted at Medical-Horizons.net, posted May 9, 2013 Medical Horizon, available from the internet: <<http://www.medical-horizons.net/blog-view.php?id=70>>.  
 Filling That Hole in Your Heart, posted at Txchnologist.com by Boston Children's Hospital, posting date not posted, available from internet: <<http://txchnologist.com/post/131031123245/filling-that-hole-in-your-heart-repairing-defects>>.  
 Heart Catheter, posted at Cat-Medic.com by Springer Medicine via Cat Production, posting date not posted, Cat Production GmbH, available from internet: <<http://www.cat-medic.com/otw-portfolio/heart-catheter/>>.  
 Medical Device Breakthrough, posted at PRNewsWire.com by Boston Children's Hospital, posted Oct. 5, 2015, PR Newswire Association LLC., Available from internet:<<http://prnewswire.com/news-releases/medical-device-breakthrough-uv-light-enabled-catheter-fixes-holes-in-the-heart-without-invasive-surgery-300154020.html>>.

\* cited by examiner



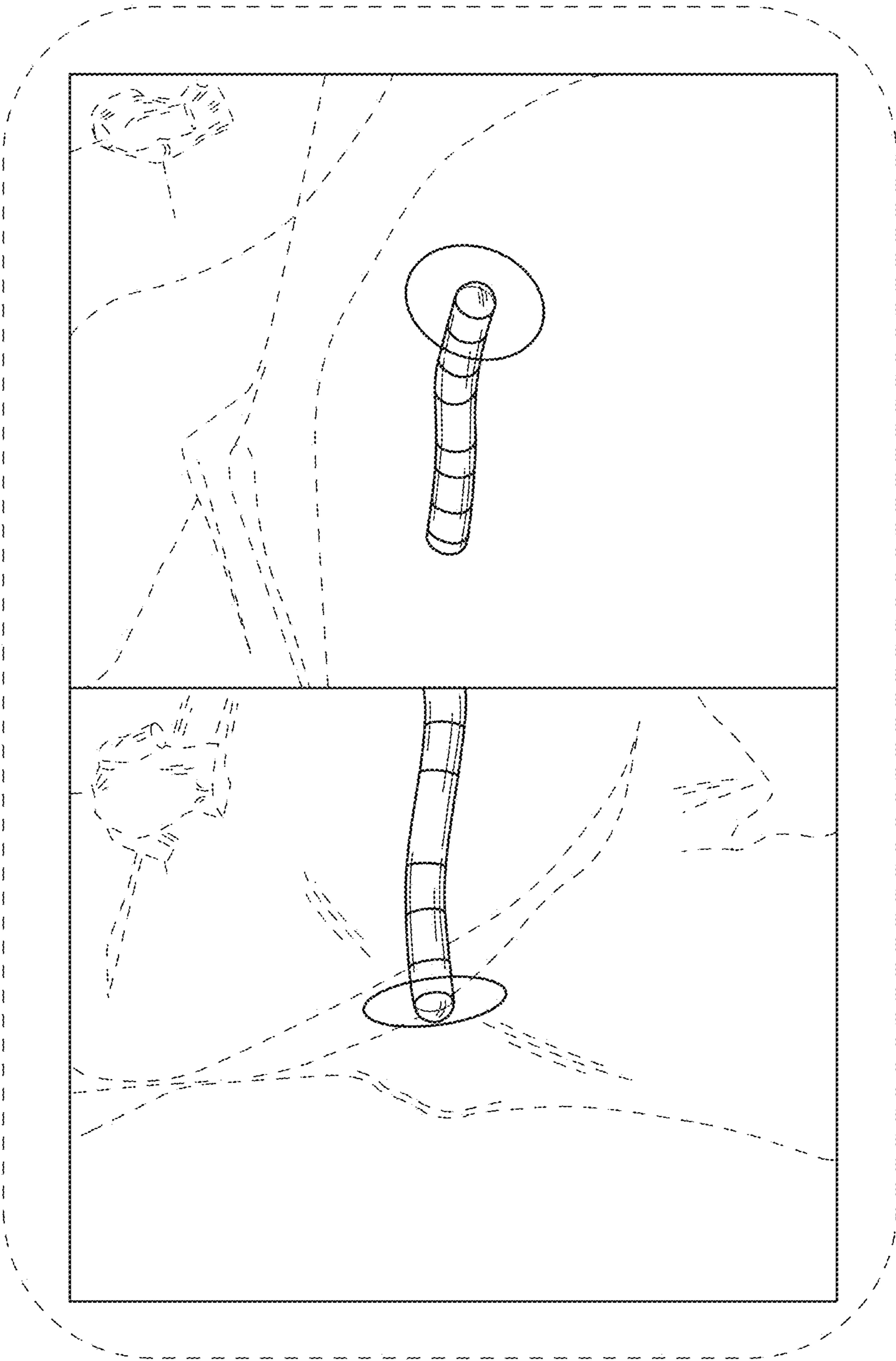


FIG.1

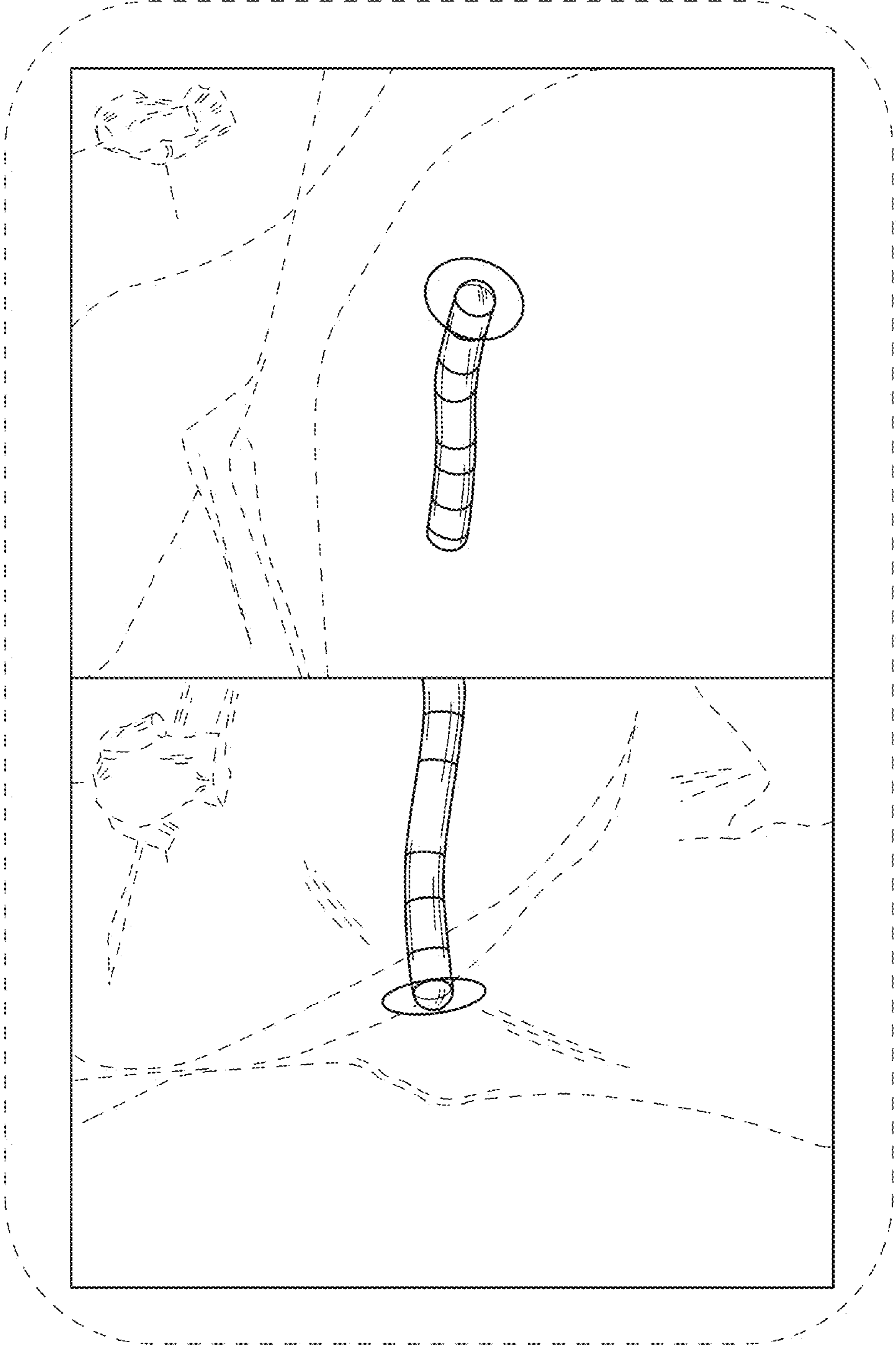


FIG.2

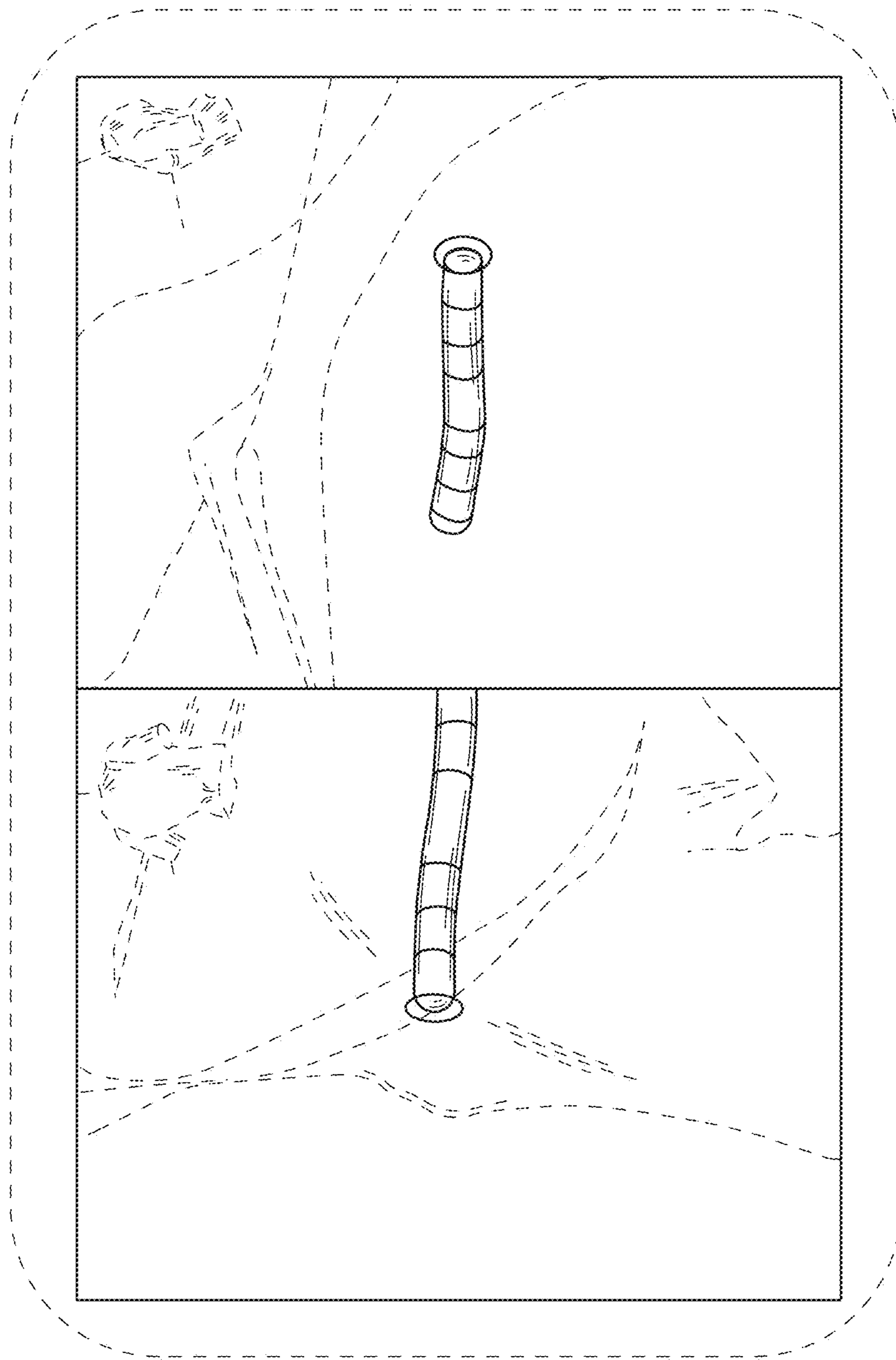


FIG.3

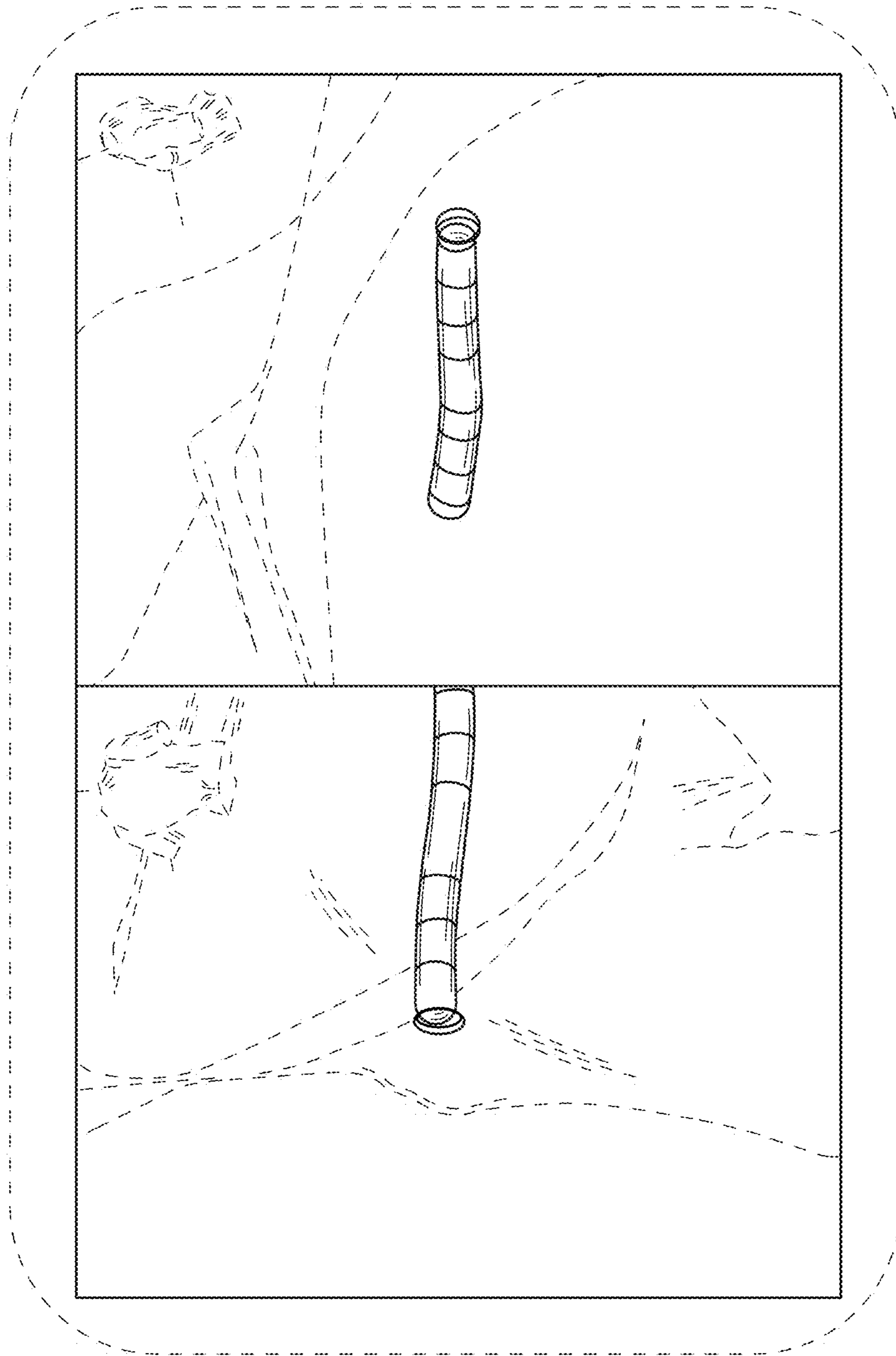


FIG. 4

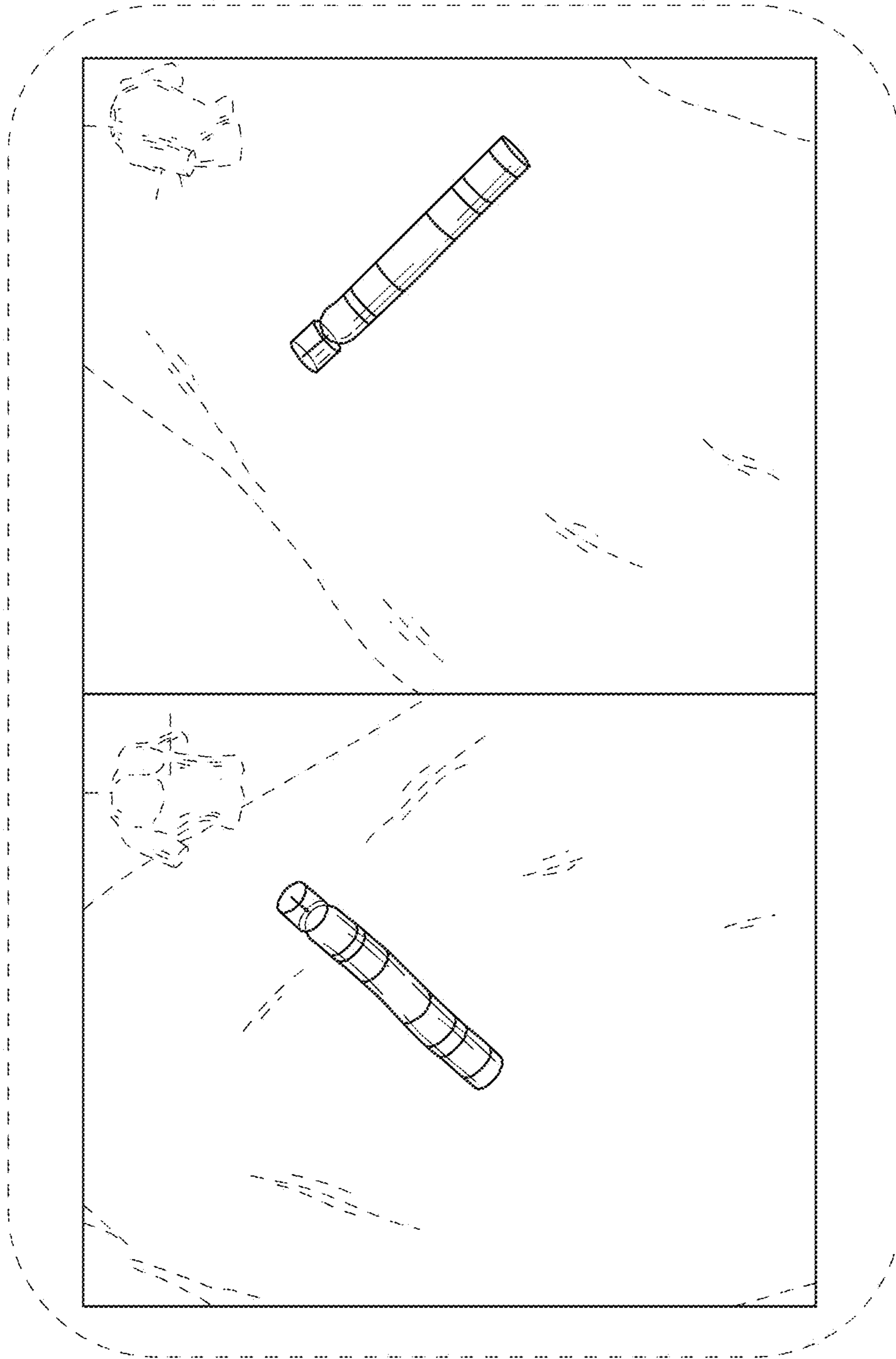


FIG. 5

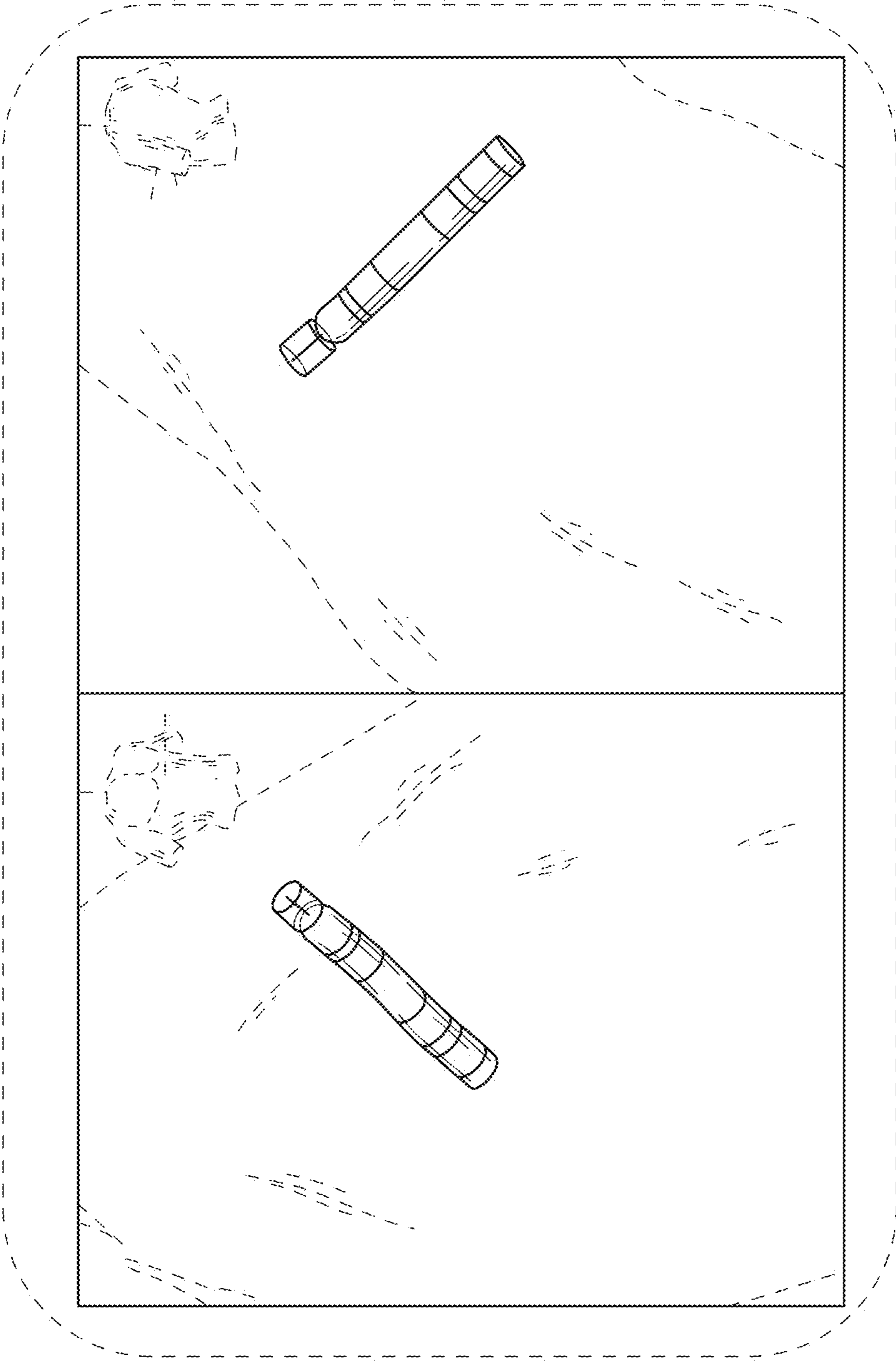


FIG.6



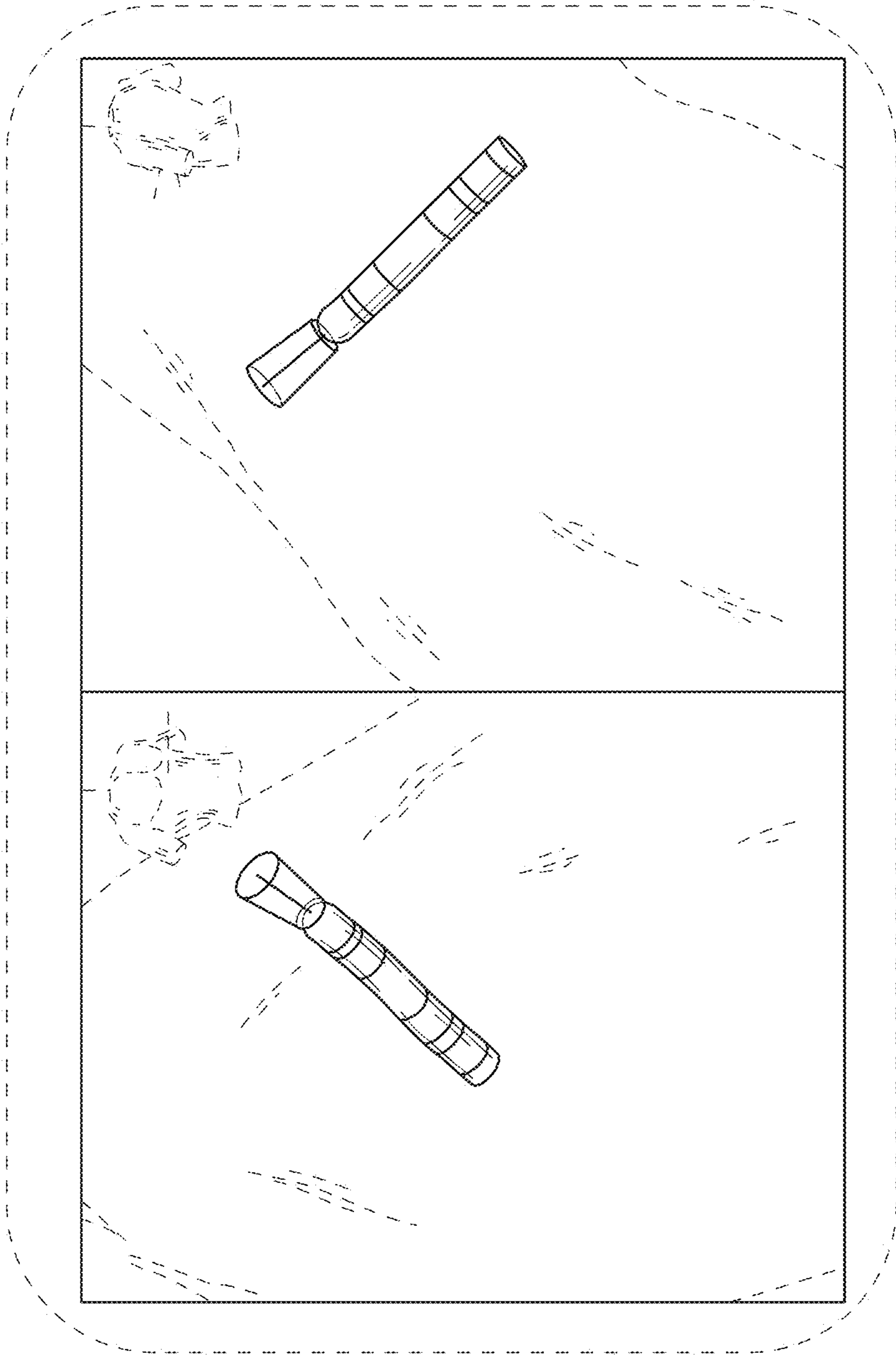


FIG. 7

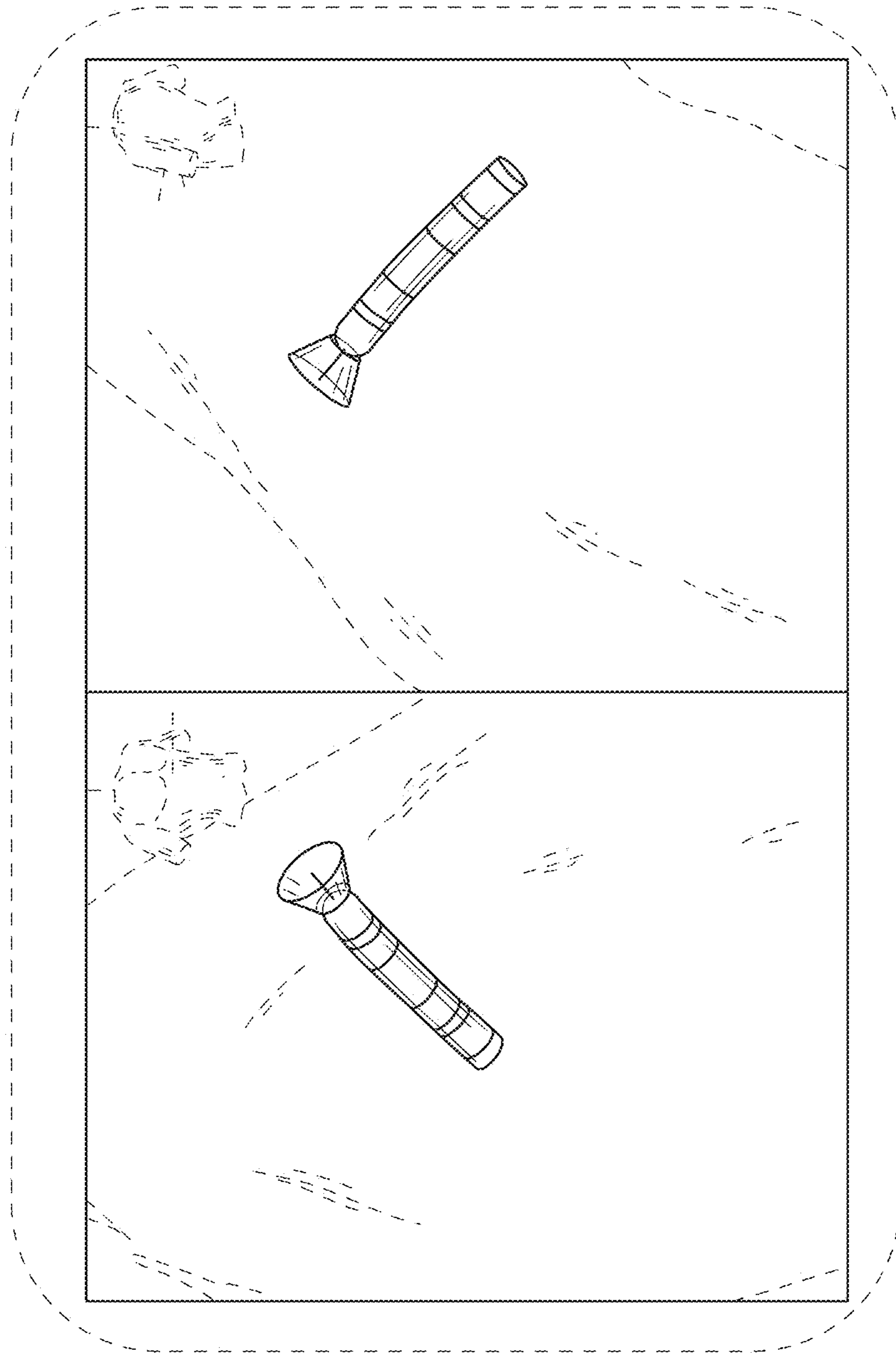


FIG. 8