



US00D761800S

(12) **United States Design Patent**  
**Muller**

(10) **Patent No.:** **US D761,800 S**  
(45) **Date of Patent:** **\*\* Jul. 19, 2016**

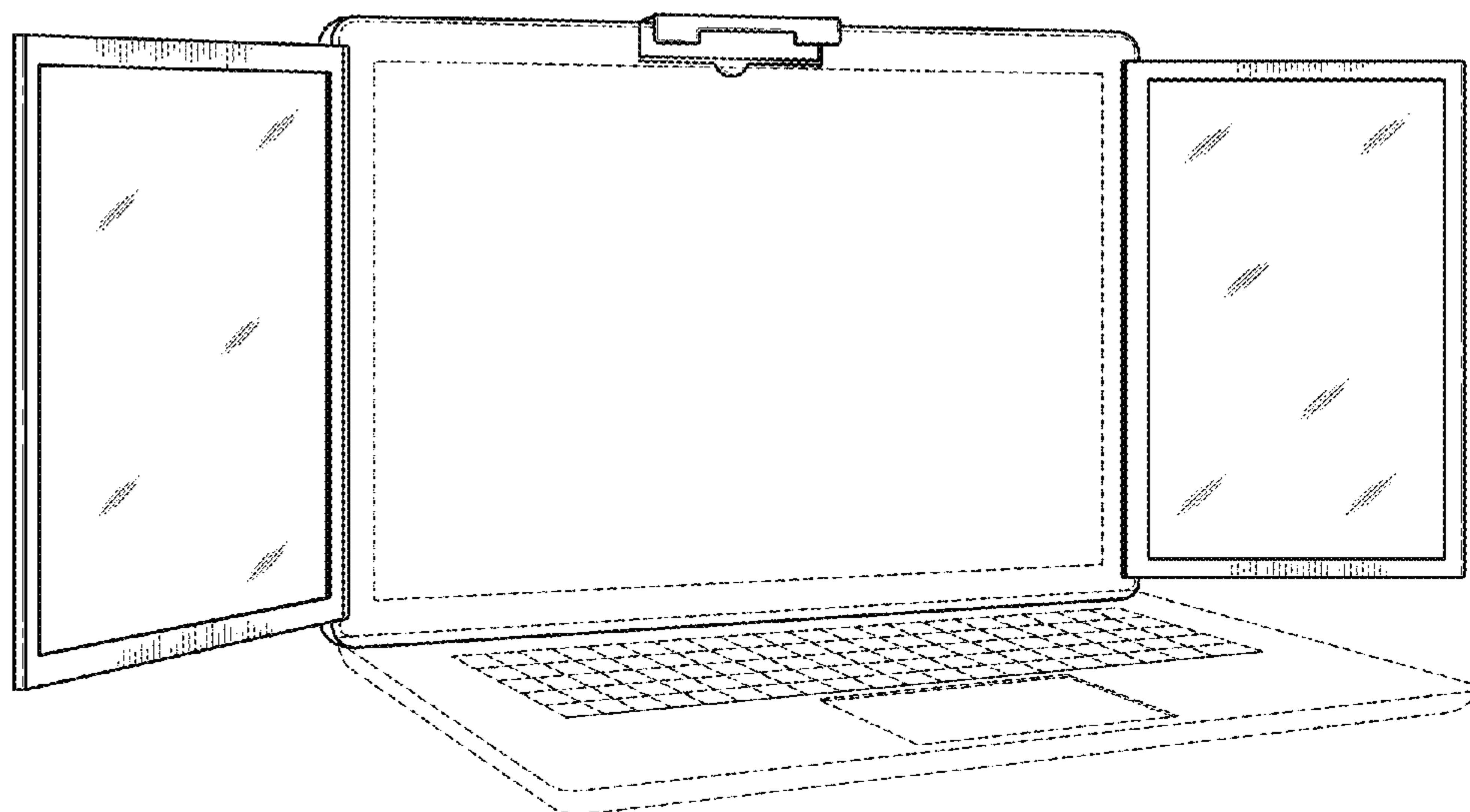
- (54) **DUAL SLIDE-OUT DISPLAY EXTENSION FOR COMPUTER**
- (71) Applicant: **Nicholis Muller**, Xemxija (MT)
- (72) Inventor: **Nicholis Muller**, Xemxija (MT)
- (\*\*) Term: **14 Years**
- (21) Appl. No.: **29/487,703**
- (22) Filed: **Apr. 10, 2014**
- (51) **LOC (10) Cl.** ..... **14-02**
- (52) **U.S. Cl.**  
USPC ..... **D14/448**
- (58) **Field of Classification Search**  
USPC ..... D14/371–382, 125–129, 336, 337, D14/447–452, 492, 335, 239, 457, 439–441, D14/432, 251–253; D8/349, 354, 363, 373, D8/376, 380; D21/333; D12/415; D3/218; 348/180, 184, 325, 739, 825; 248/323, 248/278.1, 286.1; D6/660, 661, 671, 672, D6/675, 675.1–675.3, 682, 677.1, 678.1, D6/678.2, 681.2  
CPC ..... G06F 3/0412; G06F 3/016; G06F 3/0488; G06F 3/011; G06F 3/038; G06F 3/03543; G06F 3/0338; G06F 3/0202; G06F 3/0219; G06F 3/0213; G06F 1/1616; G06F 3/023; G06F 3/04883; G02F 1/13338; G02F 1/1313; G02F 1/1333; G02F 1/135; G02F 1/132; G02F 1/133308; G02F 1/134309; G02F 1/13718; G09G 3/3648; G06K 15/1252; B41J 2/465; G03F 7/70291; G02B 27/0172; G02B 5/30; G02B 2027/0118; G02B 27/0101; F16M 13/02; F16M 13/00; F16M 11/10; F16M 11/04; F16M 2200/08; F16M 11/2021; A47B 21/0314; A47B 88/044; A47B 2021/0335; H02G 3/126; F16B 47/00; F16B 47/006; A47G 1/17; A47K 2201/00  
See application file for complete search history.

(56) **References Cited**  
U.S. PATENT DOCUMENTS  
5,035,392 A \* 7/1991 Gross ..... G06F 1/1611  
101/484  
(Continued)  
*Primary Examiner* — Garth Rademaker  
*Assistant Examiner* — Katie S Mroczka  
(74) *Attorney, Agent, or Firm* — Quickpatents, LLC; Kevin Prince

(57) **CLAIM**  
I claim the ornamental design for a dual slide-out display extension for computer, as shown and described.

**DESCRIPTION**  
FIG. 1 is a perspective view of a dual slide-out display extension for computer, showing my new design in an extended configuration;  
FIG. 2 is a front elevational view of FIG. 1;  
FIG. 3 is a rear elevational view of FIG. 1;  
FIG. 4 is a left-side elevational view of FIG. 1, the right-side elevational view being a mirror image thereof;  
FIG. 5 is a top plan view of FIG. 1;  
FIG. 6 is a bottom plan view of FIG. 1;  
FIG. 7 is a front elevational view thereof, showing my new design in a closed configuration.  
FIG. 8 is a rear elevational view of FIG. 7;  
FIG. 9 is a left-side elevational view of FIG. 7, the right-side elevational view being a mirror image thereof;  
FIG. 10 is a top plan view of FIG. 7; and,  
FIG. 11 is a bottom plan view of FIG. 7.  
The broken lines showing a laptop computer in FIG. 1 depict environmental matter that forms no part of the claimed design. The broken lines in FIGS. 3 and 8 illustrate portions of the dual slide-out display extension for computer that form no part of the claimed design.

**1 Claim, 4 Drawing Sheets**



(56)

**References Cited**

U.S. PATENT DOCUMENTS

5,190,258	A *	3/1993	Yu	.....	F16M 11/12 248/279.1
5,292,099	A *	3/1994	Isham	.....	A47B 21/045 248/278.1
5,499,793	A *	3/1996	Salansky	.....	A47B 81/06 160/24
5,533,702	A *	7/1996	Koch	.....	A47B 21/045 24/67.11
D432,519	S *	10/2000	Yamaoka	.....	D14/172
6,151,401	A *	11/2000	Annaratone	.....	G06F 1/1616 361/679.23
6,290,200	B1 *	9/2001	Ko	.....	A47B 21/045 248/442.2
D461,190	S *	8/2002	Bell	.....	D14/448
D681,042	S *	4/2013	Walker	.....	D14/450
8,488,306	B2 *	7/2013	Mickey	.....	F16M 11/06 248/278.1
8,672,285	B1 *	3/2014	Romero	.....	A47B 21/045 248/442.2
8,854,278	B2 *	10/2014	Parker	.....	G06F 3/1438 345/1.1

\* cited by examiner

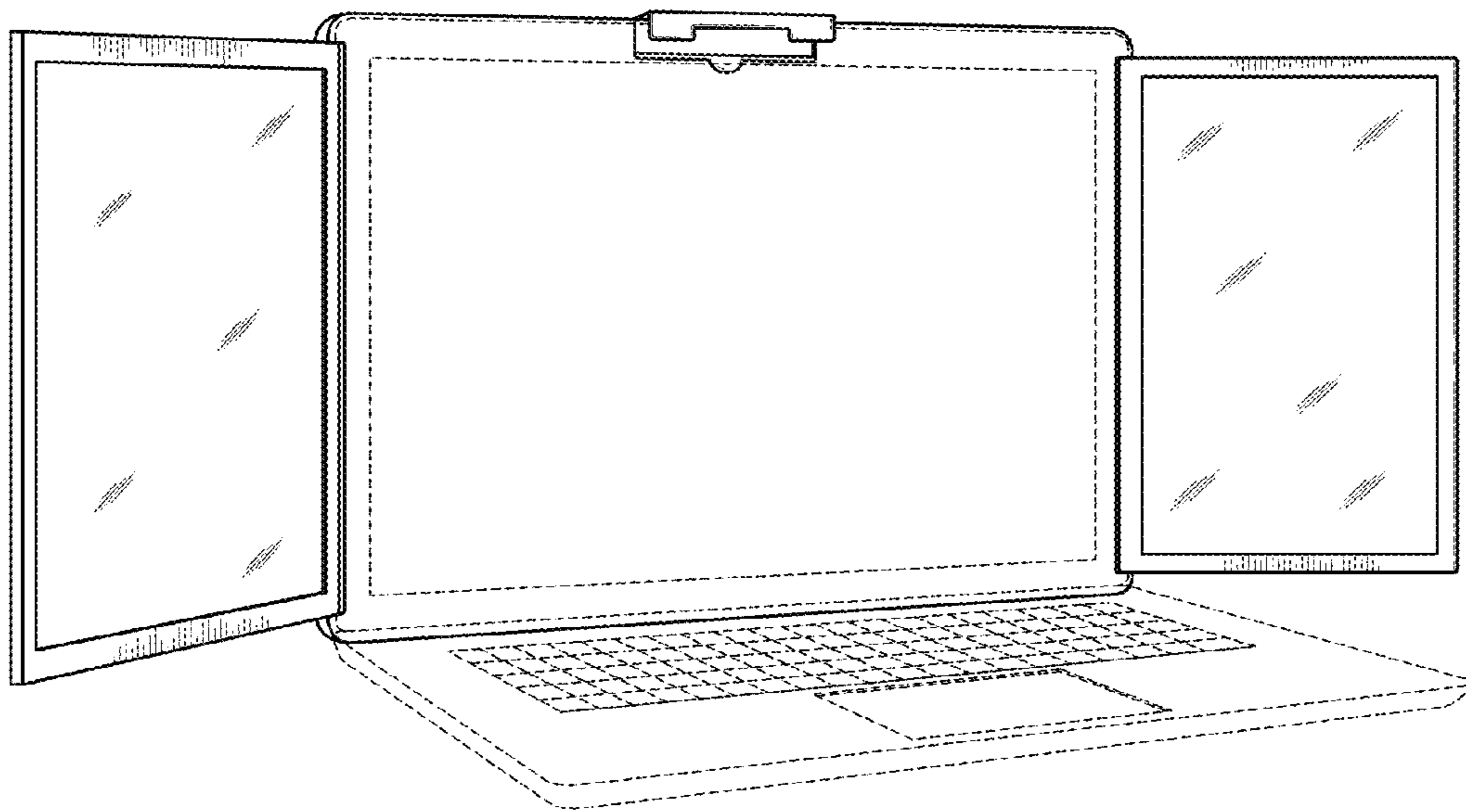


FIG. 1

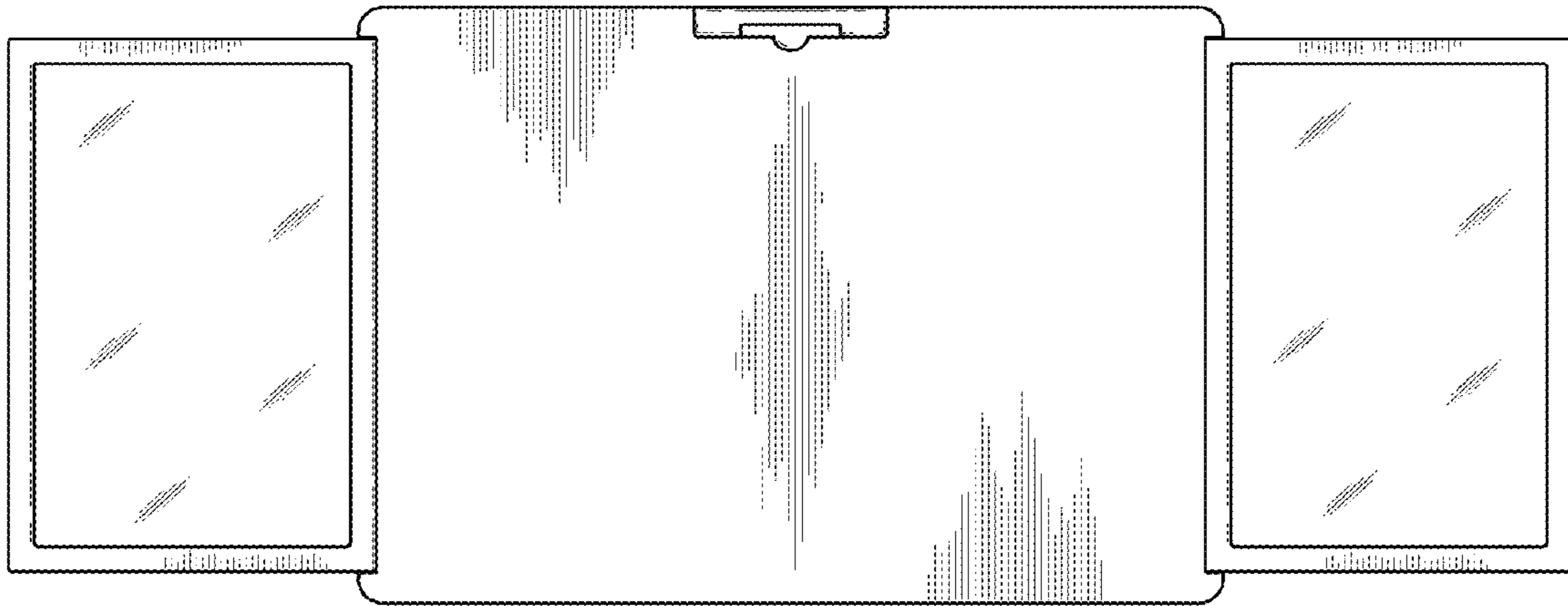


FIG. 2

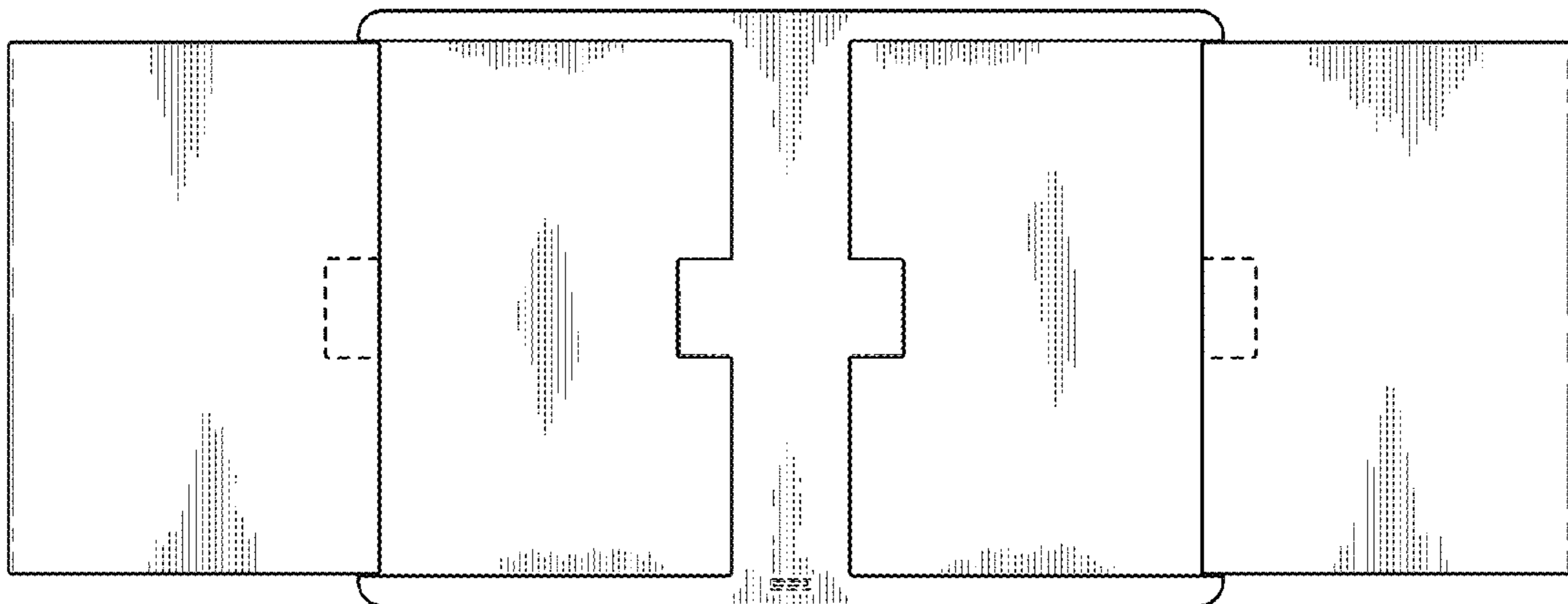


FIG. 3

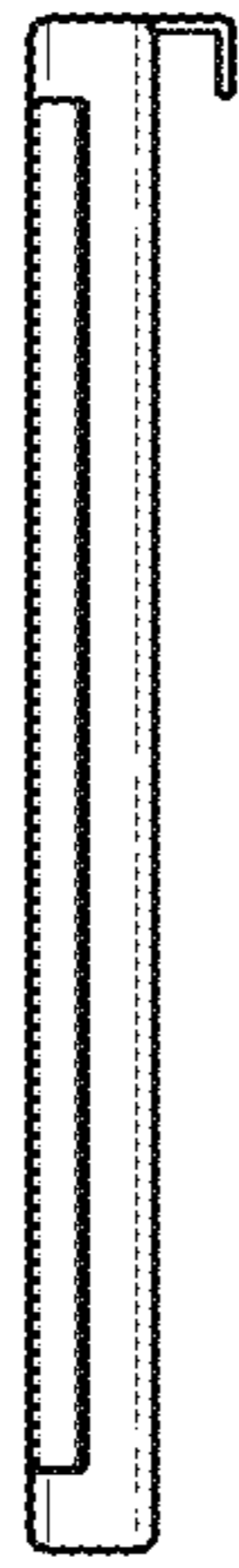


FIG. 4



FIG. 5



FIG. 6

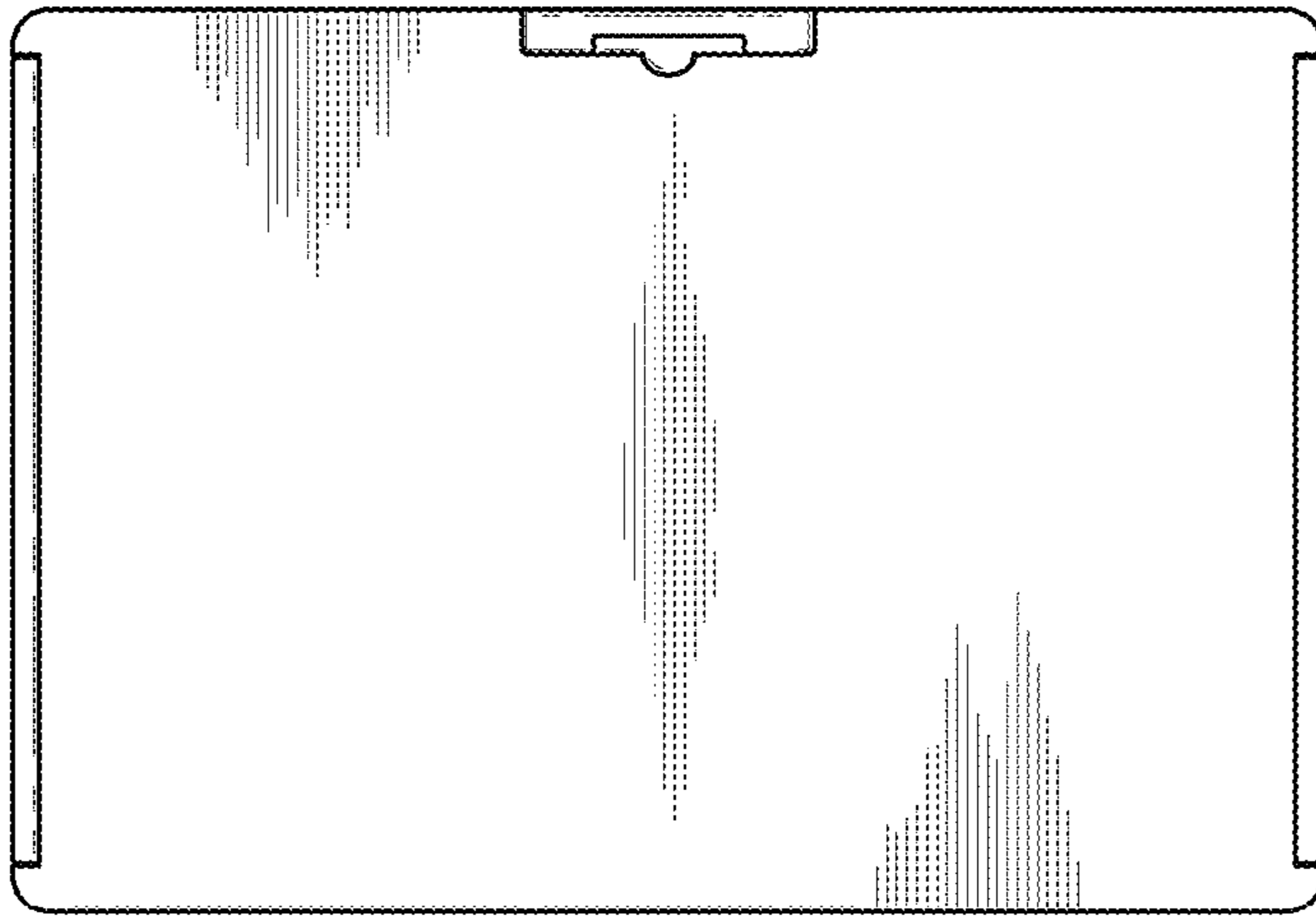


FIG. 7



FIG. 9

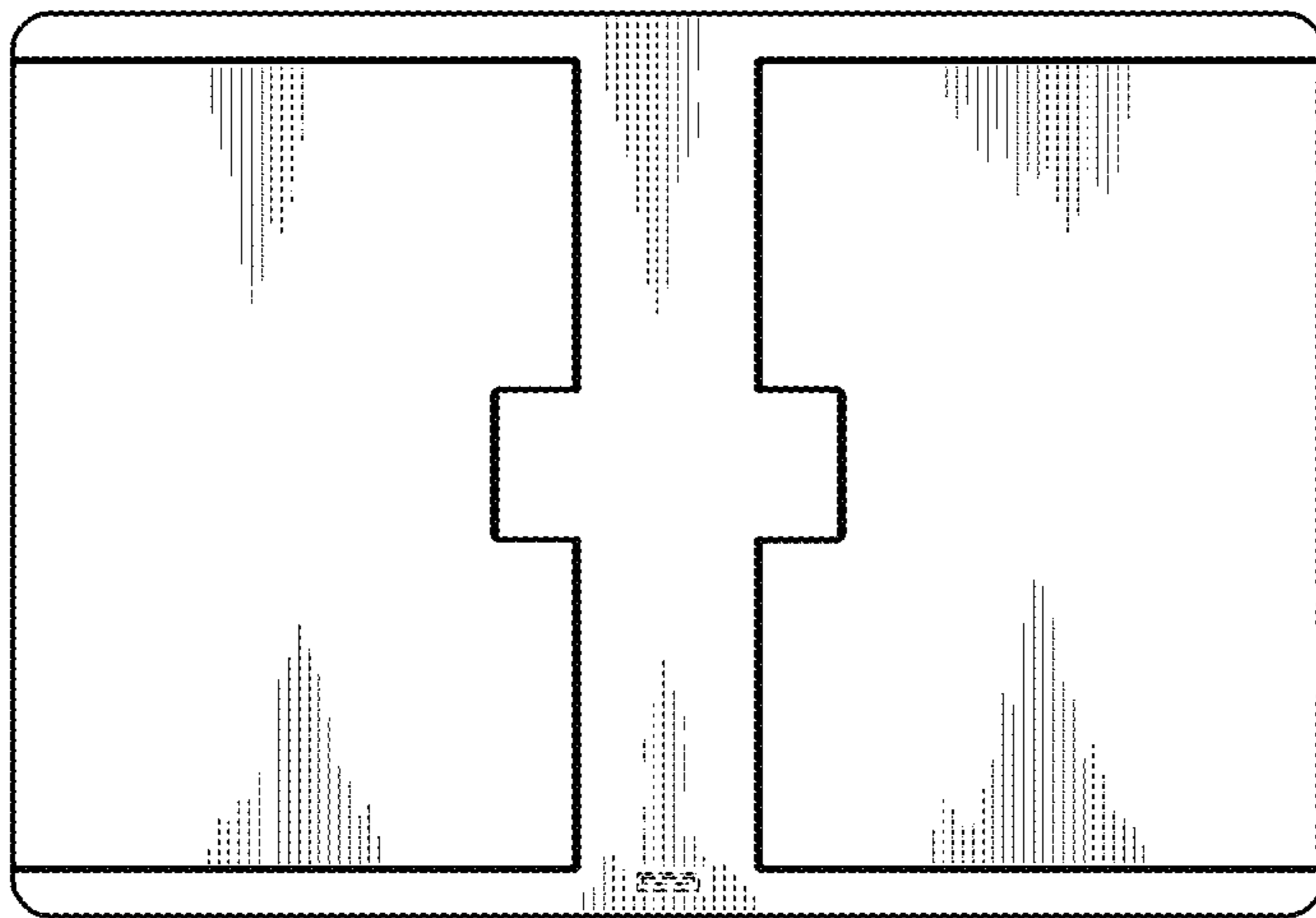


FIG. 8



FIG. 10

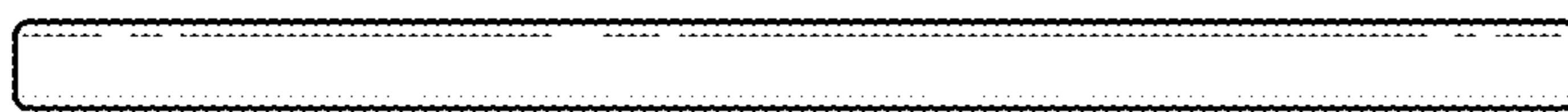


FIG. 11