



US00D761799S

(12) **United States Design Patent**  
**Miniard**

(10) **Patent No.:** **US D761,799 S**  
(45) **Date of Patent:** **\*\* Jul. 19, 2016**

(54) **TABLET HOLDER**

(71) Applicant: **Jerry M. Miniard**, Fort Mitchell, KY  
(US)

(72) Inventor: **Jerry M. Miniard**, Fort Mitchell, KY  
(US)

(\*\*) Term: **15 Years**

(21) Appl. No.: **29/539,916**

(22) Filed: **Sep. 18, 2015**

**Related U.S. Application Data**

(60) Continuation-in-part of application No. 29/473,003, filed on Nov. 18, 2013, now Pat. No. Des. 709,075, and a division of application No. 29/491,755, filed on May 23, 2014, now Pat. No. Des. 741,336.

(51) **LOC (10) Cl.** ..... **08-07**

(52) **U.S. Cl.**  
USPC ..... **D14/447**

(58) **Field of Classification Search**  
USPC ..... D14/447, 432, 434, 439, 440, 451, 452, D14/457, 239, 253; D8/363, 373, 380; D6/406.3, 406.4, 406.5, 406.6; D12/415  
CPC ..... A47B 21/04; A47B 2097/006; A47B 2097/005; A47B 2023/049; A45C 2011/002; A45C 2011/003; F16M 2200/00; F16M 13/00  
See application file for complete search history.

(56) **References Cited**

**U.S. PATENT DOCUMENTS**

D598,920 S \* 8/2009 Fujino ..... D14/447  
D647,525 S \* 10/2011 Seto ..... D14/434  
D647,907 S \* 11/2011 Perry ..... D14/434  
D661,309 S \* 6/2012 Murrer ..... D14/447  
D672,350 S \* 12/2012 Gioscia ..... D14/434

D672,355 S \* 12/2012 Lee ..... D14/447  
D676,832 S \* 2/2013 Akana ..... D14/217  
D696,260 S \* 12/2013 Merea ..... D14/447  
D699,245 S \* 2/2014 Lee ..... D14/447  
D700,614 S \* 3/2014 Hamblet ..... D14/447  
D709,075 S \* 7/2014 Miniard ..... D14/447  
D741,336 S \* 10/2015 Miniard ..... D14/447  
2013/0003291 A1 \* 1/2013 Zhou ..... F16M 11/041  
361/679.41

\* cited by examiner

*Primary Examiner* — Angela J Lee

(74) *Attorney, Agent, or Firm* — Wood, Herron & Evans, LLP

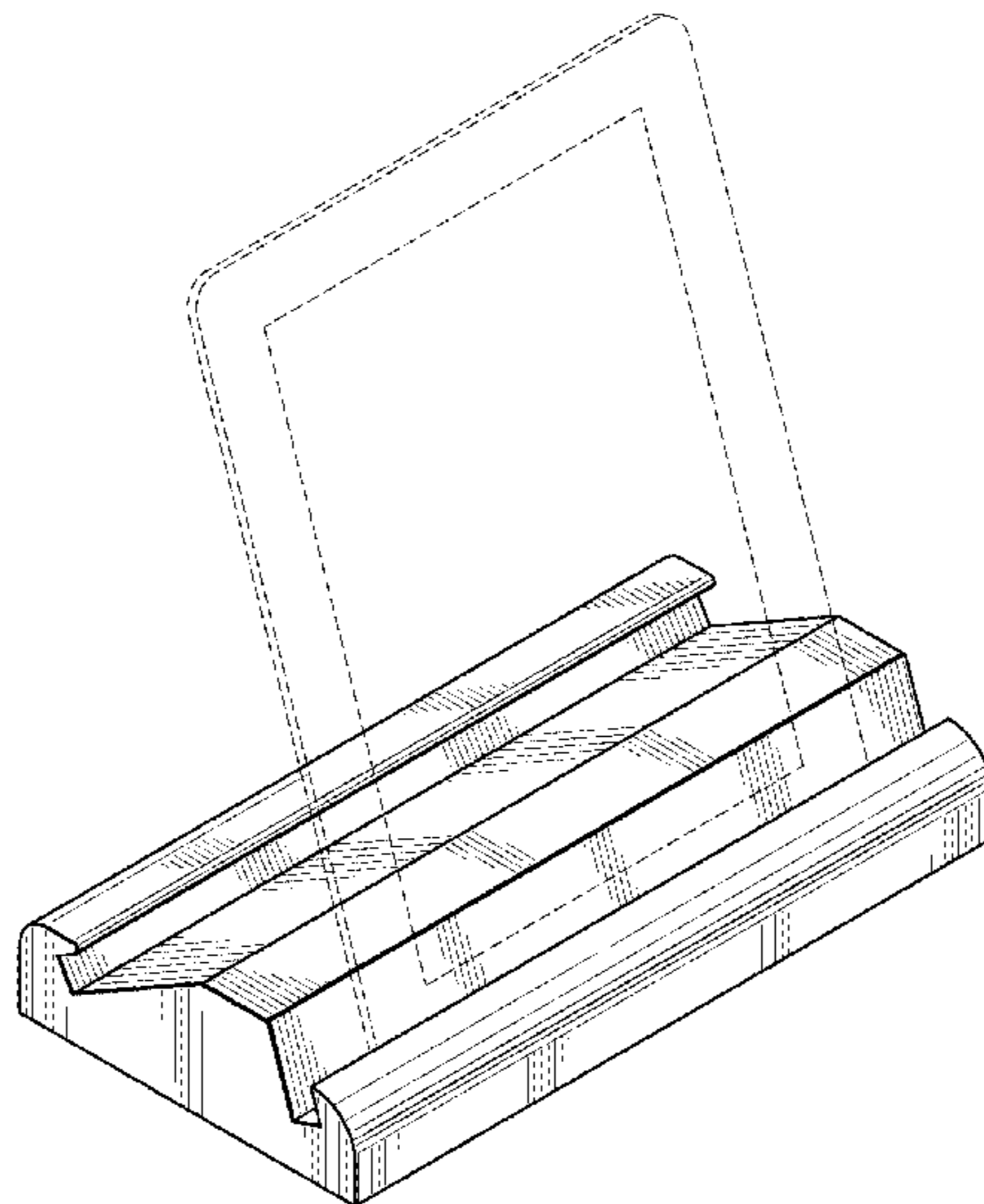
(57) **CLAIM**

The ornamental design for a tablet holder, as shown and described.

**DESCRIPTION**

FIG. 1 is a perspective view of a stand for a tablet device of the present invention;  
FIG. 2 is a front view of FIG. 1 of the present invention;  
FIG. 3 is a left side view of FIG. 1 of the present invention showing a table in a first position. The broken lines are included to show environmental aspects only. The right side view is a mirror image thereof;  
FIG. 4 is a left side view of FIG. 1 but showing tablet device in a second position. The broken lines are included to show environmental aspects only.  
FIG. 5 is a rear view of FIG. 1 of the present invention;  
FIG. 6 is a top view of FIG. 1 of the present invention; and,  
FIG. 7 is a bottom view of FIG. 1 of the present invention.  
The elements shown in the dash-dash broken lines form no part of the claimed design in this application, and are instead included to show environmental aspects of the claimed design. The dash-dot broken lines adjacent to the shaded portions forms an unclaimed boundary of the design.

**1 Claim, 3 Drawing Sheets**



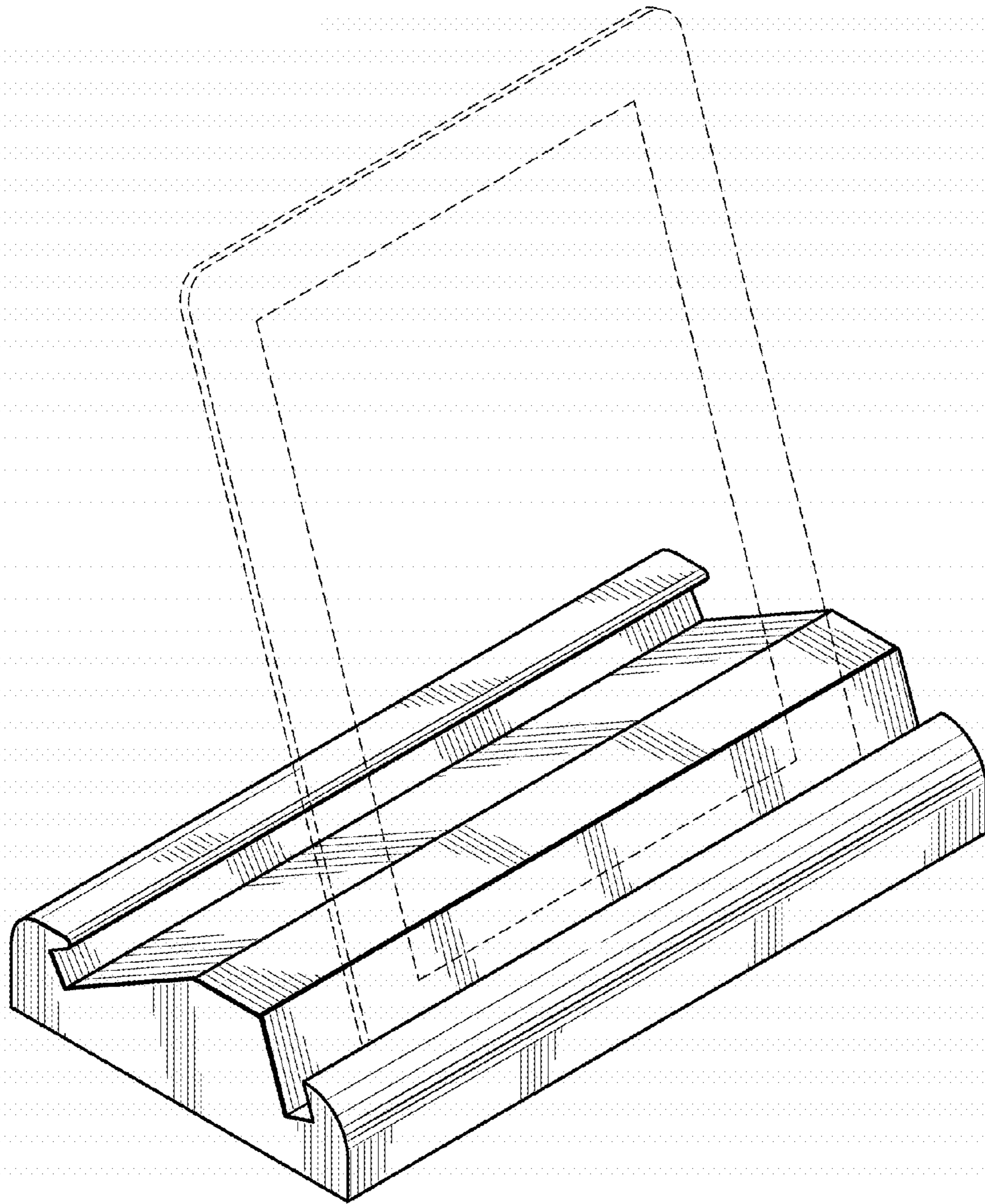


FIG. 1

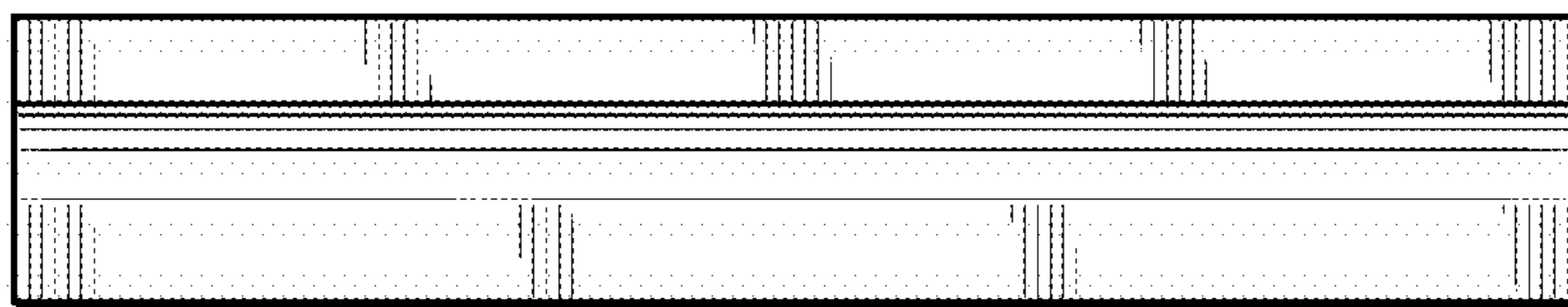


FIG. 2

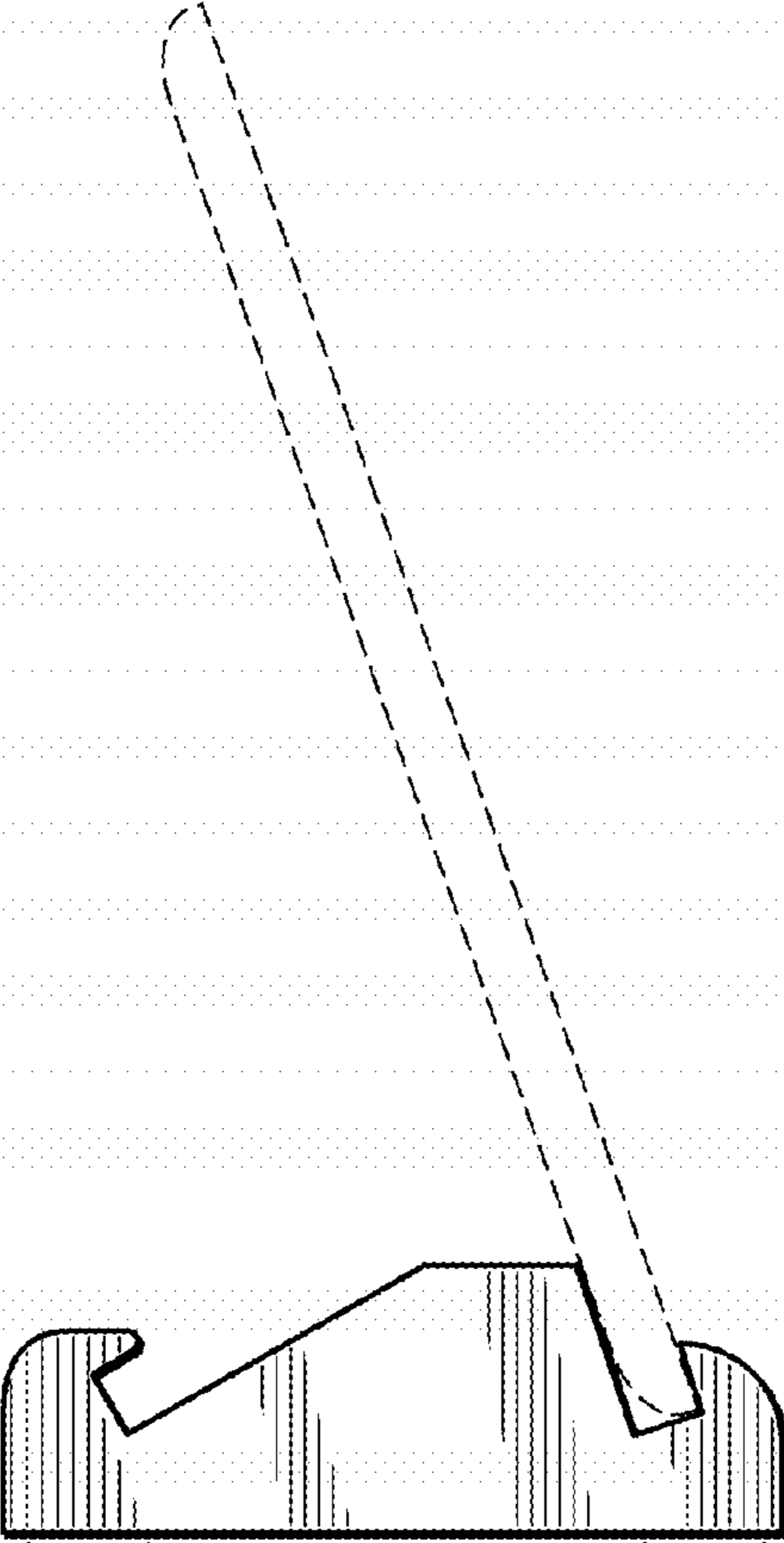


FIG. 3

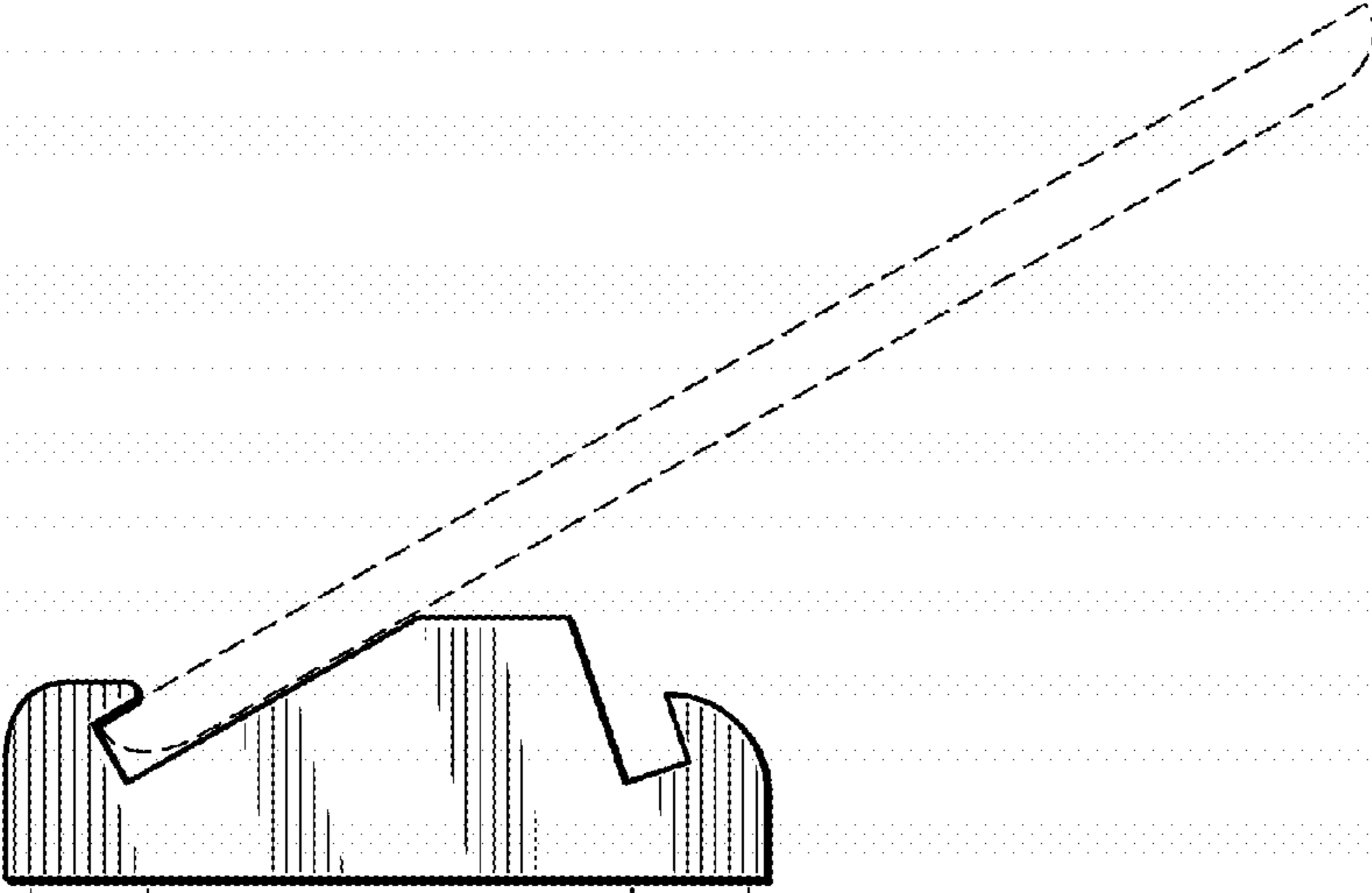


FIG. 4



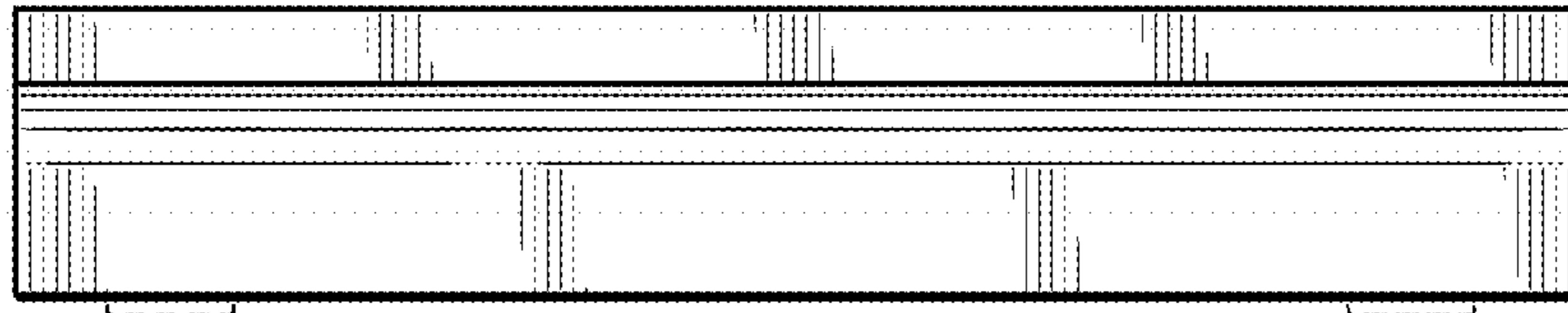


FIG. 5

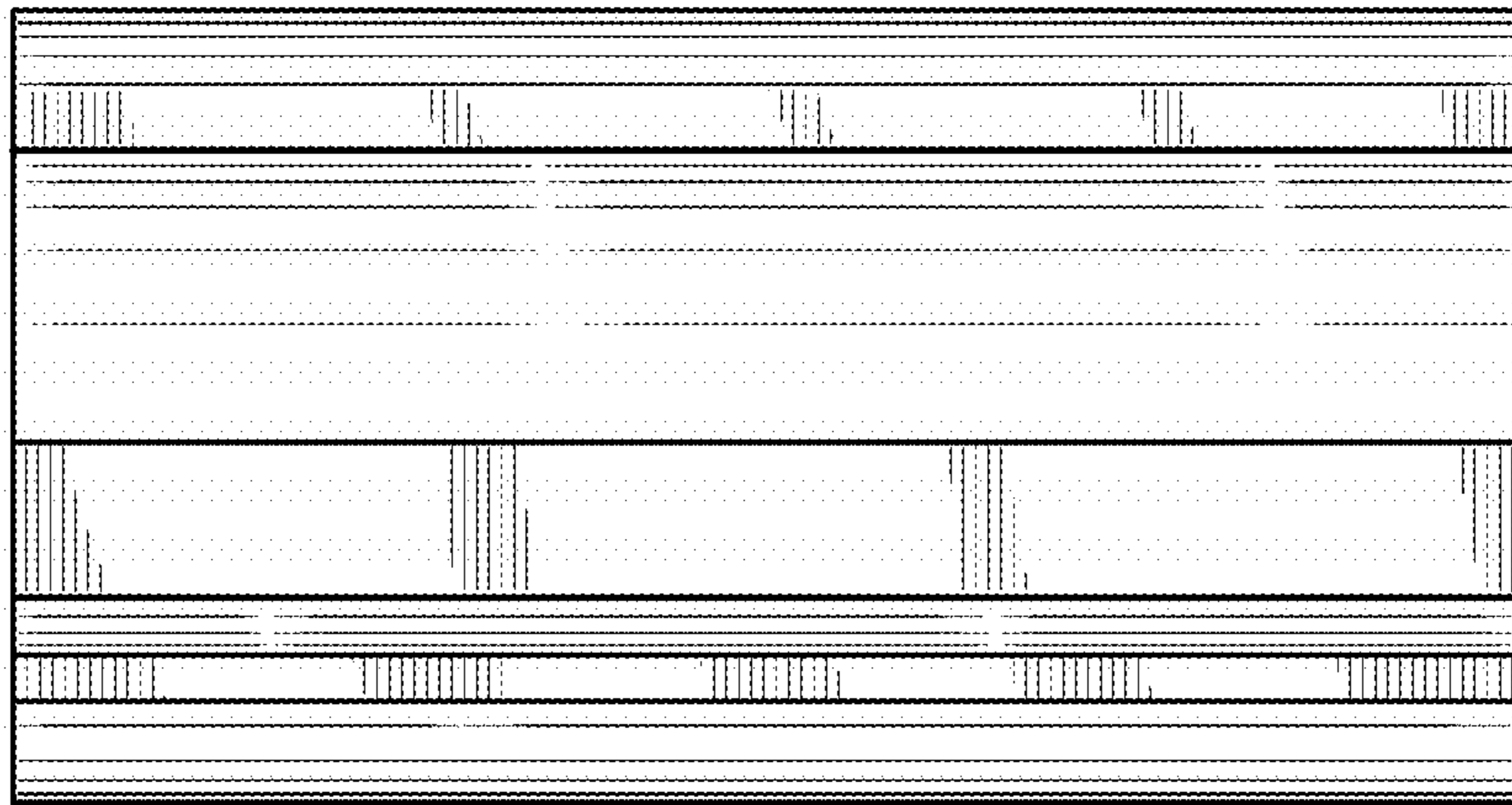


FIG. 6

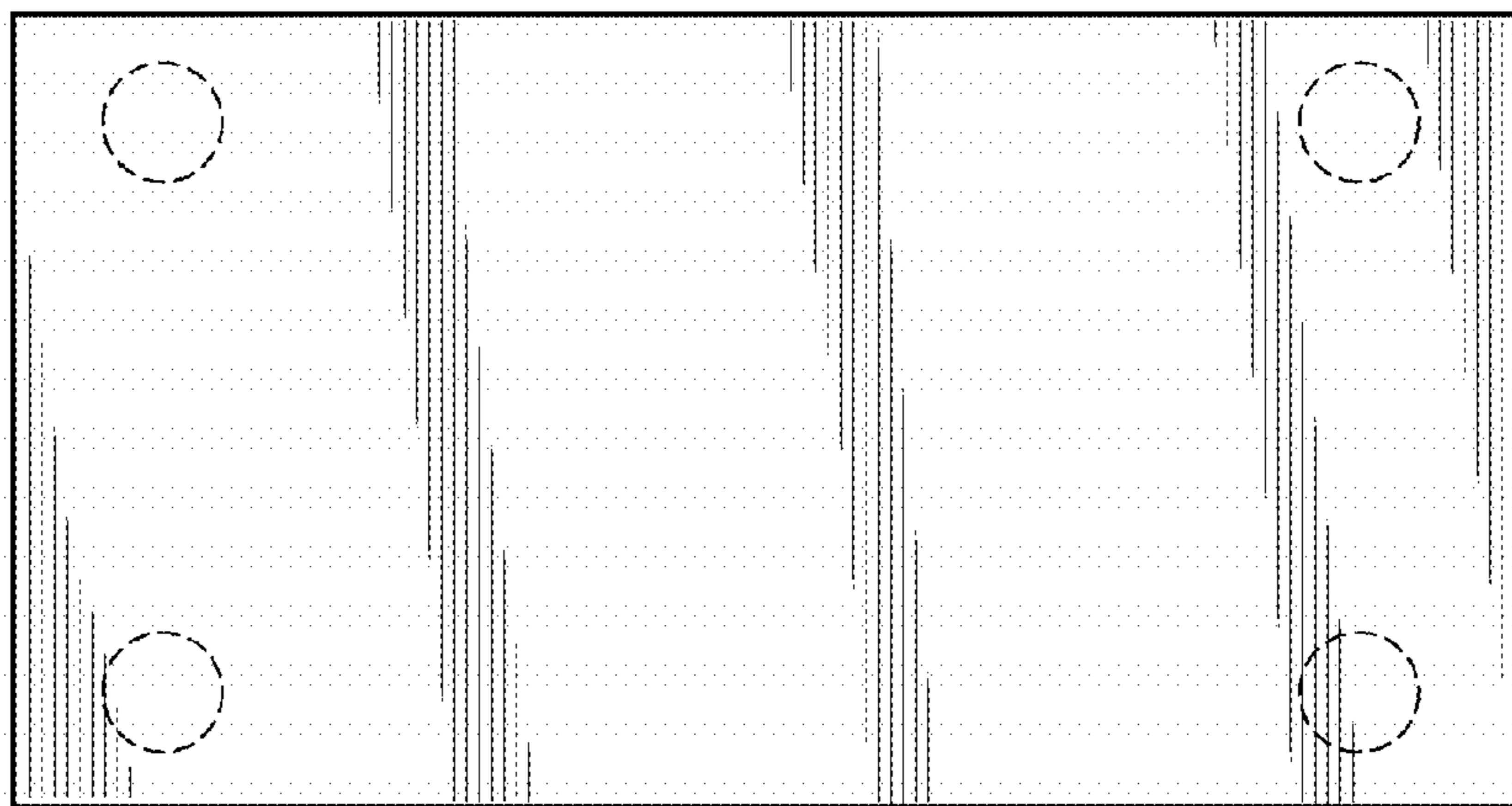


FIG. 7