



US00D761798S

(12) **United States Design Patent**
Lee et al.

(10) **Patent No.:** **US D761,798 S**
(45) **Date of Patent:** **** Jul. 19, 2016**

(54) **ADJUSTABLE PROTECTIVE COVER FOR AN INPUT DEVICE**

(71) Applicant: **Logitech Europe S.A.**, Lausanne (CH)

(72) Inventors: **Chia Feng Lee**, Taichung (TW);
Chien-Chang Lee, Bade (TW)

(73) Assignee: **Logitech Europe S.A.**, Lausanne (CH)

(**) Term: **15 Years**

(21) Appl. No.: **29/543,583**

(22) Filed: **Oct. 26, 2015**

4,259,568	A *	3/1981	Dynesen	G06F 15/0216
					206/305
6,772,879	B1 *	8/2004	Domotor	A45C 11/00
					206/320
7,281,698	B2 *	10/2007	Patterson, Jr.	A45C 11/00
					206/756
7,414,833	B2 *	8/2008	Kittayapong	A45C 11/00
					190/110
D600,699	S *	9/2009	Johnston	D14/440
7,735,644	B2 *	6/2010	Sirichai	A45F 5/02
					206/320
D658,187	S *	4/2012	Diebel	D14/440
D658,188	S *	4/2012	Diebel	D14/440
D663,304	S *	7/2012	Akana	D14/440
8,230,992	B2 *	7/2012	Law	G06F 1/1626
					206/320
8,245,843	B1 *	8/2012	Wu	H01M 10/465
					150/165

(Continued)

Related U.S. Application Data

(63) Continuation of application No. 29/508,749, filed on Nov. 10, 2014, now Pat. No. Des. 744,491.

(51) **LOC (10) Cl.** **14-02**

(52) **U.S. Cl.**
USPC **D14/440**

(58) **Field of Classification Search**
USPC D14/250, 251, 253, 240, 217, 496, 440,
D14/203.3, 203.4, 203.5, 203.8, 341, 318;
D3/218, 215, 201, 294, 289, 900;
220/4.02; 248/309.1; 361/679.56;
379/426, 433.11, 455; 455/575.1,
455/575.8, 457.1; 190/100; 206/305, 320,
206/45.2; D21/469; 312/240
CPC ... G06F 1/1601; G06F 1/1626; G06F 1/1633;
G06F 1/1675; G06F 1/1679; G02F 1/1306;
G02F 1/133; G02F 1/133308; G02F 1/153;
G02F 1/1533; G02F 2001/133317; H04M
1/185; H04M 1/0252; H04B 1/3888
See application file for complete search history.

(56) **References Cited**

U.S. PATENT DOCUMENTS

1,613,536	A *	1/1927	Rose	A45C 11/00
					132/315
D230,376	S *	2/1974	Andrew	D19/91

Primary Examiner — Cynthia Underwood

(74) *Attorney, Agent, or Firm* — Kilpatrick Townsend & Stockton LLP

(57) **CLAIM**

The ornamental design for adjustable protective cover for an input device, as shown and described.

DESCRIPTION

FIG. 1 is a perspective view of our adjustable protective cover for an input device showing our new design in an open configuration;

FIG. 2 is a top plan view thereof;

FIG. 3 is a bottom plan view thereof;

FIG. 4 is a right side elevational view thereof;

FIG. 5 is a left side elevational view thereof;

FIG. 6 is a front elevational view thereof;

FIG. 7 is a rear elevational view thereof;

FIG. 8 is a perspective view showing our new design in an active configuration;

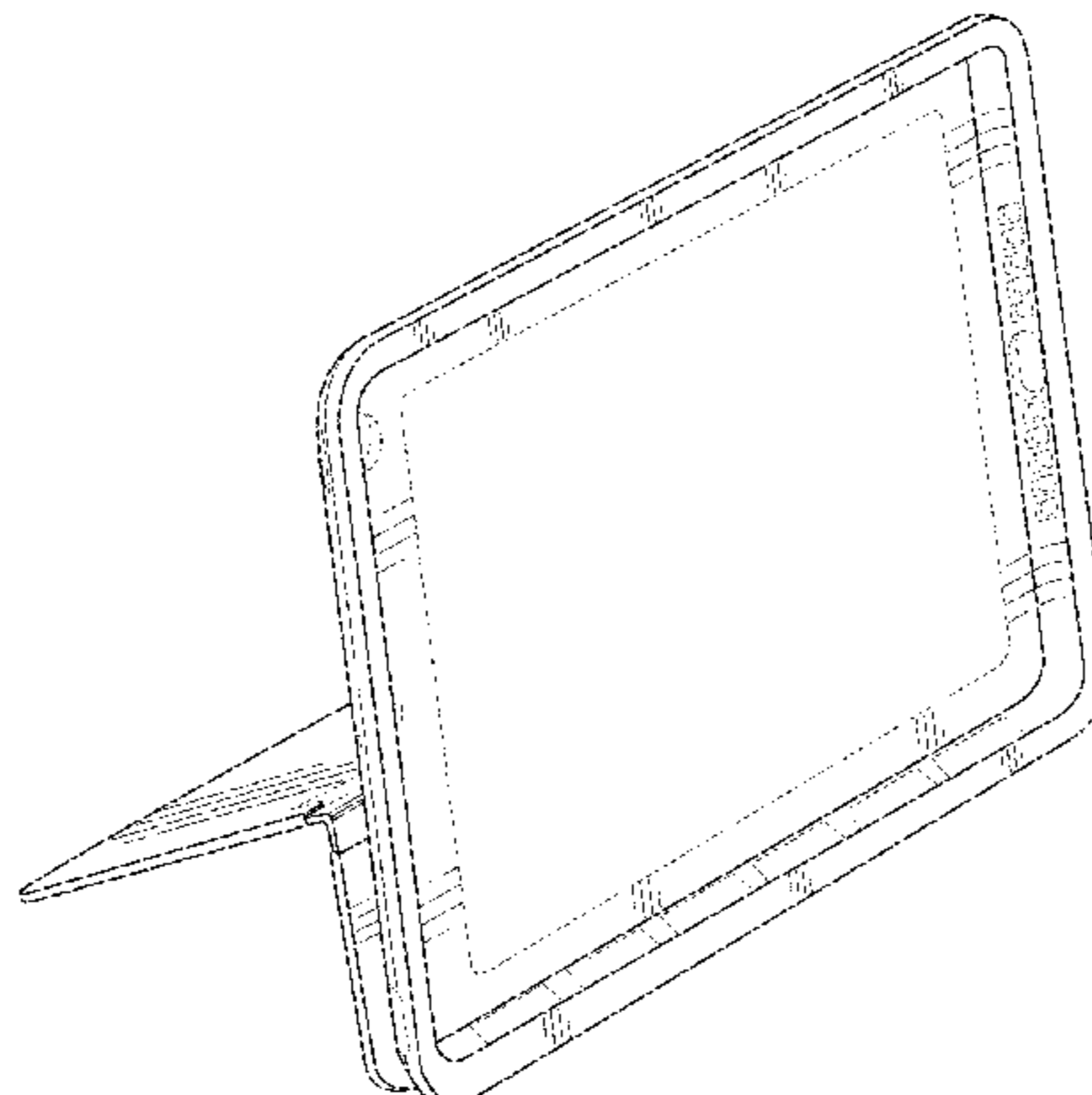
FIG. 9 is a right side elevational view showing our new design in an active configuration;

FIG. 10 is a right side elevational view showing our new design in another active configuration; and,

FIG. 11 is a perspective view showing our new design in a closed configuration.

The broken lines in the drawings depict environmental subject matter and form no part of the claim.

1 Claim, 8 Drawing Sheets



(56)

References Cited

U.S. PATENT DOCUMENTS

D669,480 S *	10/2012	Piedra	D14/440	8,783,458 B2 *	7/2014	Gallagher	F16M 11/105 206/320
8,312,991 B2 *	11/2012	Diebel	A45C 11/00 206/305	D710,859 S *	8/2014	Mecchella	D14/440
D671,948 S *	12/2012	Akana	D14/440	D711,861 S *	8/2014	Mei	D14/250
D672,353 S *	12/2012	Liu	D14/440	8,797,132 B2 *	8/2014	Childs	A45C 11/00 206/320
D672,781 S *	12/2012	Lu	D14/440	D712,413 S *	9/2014	Fukai	D14/440
D675,625 S *	2/2013	Hasbrook	D14/440	D720,756 S *	1/2015	Stavrakakis	D14/440
D678,260 S *	3/2013	Bau	D14/132	D724,090 S *	3/2015	Kim	D14/440
D679,279 S *	4/2013	Yang	D14/440	D726,192 S *	4/2015	Massucco	D14/440
D679,715 S *	4/2013	Akana	D14/440	D727,332 S *	4/2015	Hirsch	D14/440
8,424,830 B2 *	4/2013	Yang	A47B 23/044 248/459	D727,916 S *	4/2015	Melmon	D14/440
8,424,864 B2 *	4/2013	Schum	B65H 1/025 271/10.09	D727,919 S *	4/2015	Melmon	D14/440
D681,641 S *	5/2013	Van Den Nieuwenhuizen	D14/440	D730,913 S *	6/2015	Shao	D14/440
D682,836 S *	5/2013	Akana	D14/440	D733,150 S *	6/2015	Sirichai	D14/440
D682,838 S *	5/2013	Akana	D14/440	D733,151 S *	6/2015	Brierley	D14/440
D683,141 S *	5/2013	Symons	D14/447	D733,152 S *	6/2015	Sirichai	D14/440
D687,438 S *	8/2013	Lu	D14/440	2003/0034263 A1 *	2/2003	D'Hoste	A45C 9/00 206/320
D690,305 S *	9/2013	Wen	D14/440	2008/0302687 A1 *	12/2008	Sirichai	A45F 5/02 206/320
D690,702 S *	10/2013	Chung	D14/440	2009/0159763 A1 *	6/2009	Kim	F16M 13/00 248/174
D691,142 S *	10/2013	Diebel	D14/440	2011/0266194 A1 *	11/2011	Bau	A45C 11/00 206/736
D692,434 S *	10/2013	Kim	D14/440	2011/0290687 A1 *	12/2011	Han	A45C 3/02 206/320
D693,823 S *	11/2013	Chen	D14/440	2012/0037523 A1 *	2/2012	Diebel	A45C 11/00 206/320
D695,296 S *	12/2013	Hsu	D14/440	2012/0211377 A1 *	8/2012	Sajid	G06F 1/1628 206/216
D696,253 S *	12/2013	Akana	D14/345	2012/0211613 A1 *	8/2012	Yang	A45C 11/00 248/174
D696,256 S *	12/2013	Piedra	D14/440	2012/0305413 A1 *	12/2012	Chung	A45C 11/00 206/45.23
D696,669 S *	12/2013	Akana	D14/440	2012/0308981 A1 *	12/2012	Libin	G09B 3/00 434/362
8,644,893 B2 *	2/2014	Liang	G06F 1/1628 206/45.2	2013/0015088 A1 *	1/2013	Wu	A45C 11/00 206/320
8,657,112 B2 *	2/2014	Igarashi	H05K 5/03 206/320	2013/0020216 A1 *	1/2013	Chiou	G06F 1/1626 206/320
D701,205 S *	3/2014	Akana	D14/341	2013/0140203 A1 *	6/2013	Chiang	G06F 1/1628 206/320
D702,673 S *	4/2014	Murchison	D14/250	2013/0213838 A1 *	8/2013	Tsai	G06F 1/1633 206/320
D704,689 S *	5/2014	Chang	D14/250	2013/0241381 A1 *	9/2013	Hynecek	H05K 5/0217 312/240
D704,693 S *	5/2014	Kim	D14/250	2013/0264459 A1 *	10/2013	McCosh	G06F 1/1626 248/688
D704,270 S *	6/2014	Akana	D14/440				
D706,783 S *	6/2014	Almodova	D14/440				
D707,229 S *	6/2014	Almodova	D14/440				
8,757,375 B2 *	6/2014	Huang	A47B 23/043 206/320				
D708,838 S *	7/2014	Lee	D14/440				
8,763,795 B1 *	7/2014	Oten	A45C 11/00 206/320				
8,766,921 B2 *	7/2014	Ballagas	G06F 1/1626 345/168				
8,773,353 B2 *	7/2014	Wei	G06F 1/1662 345/156				

* cited by examiner

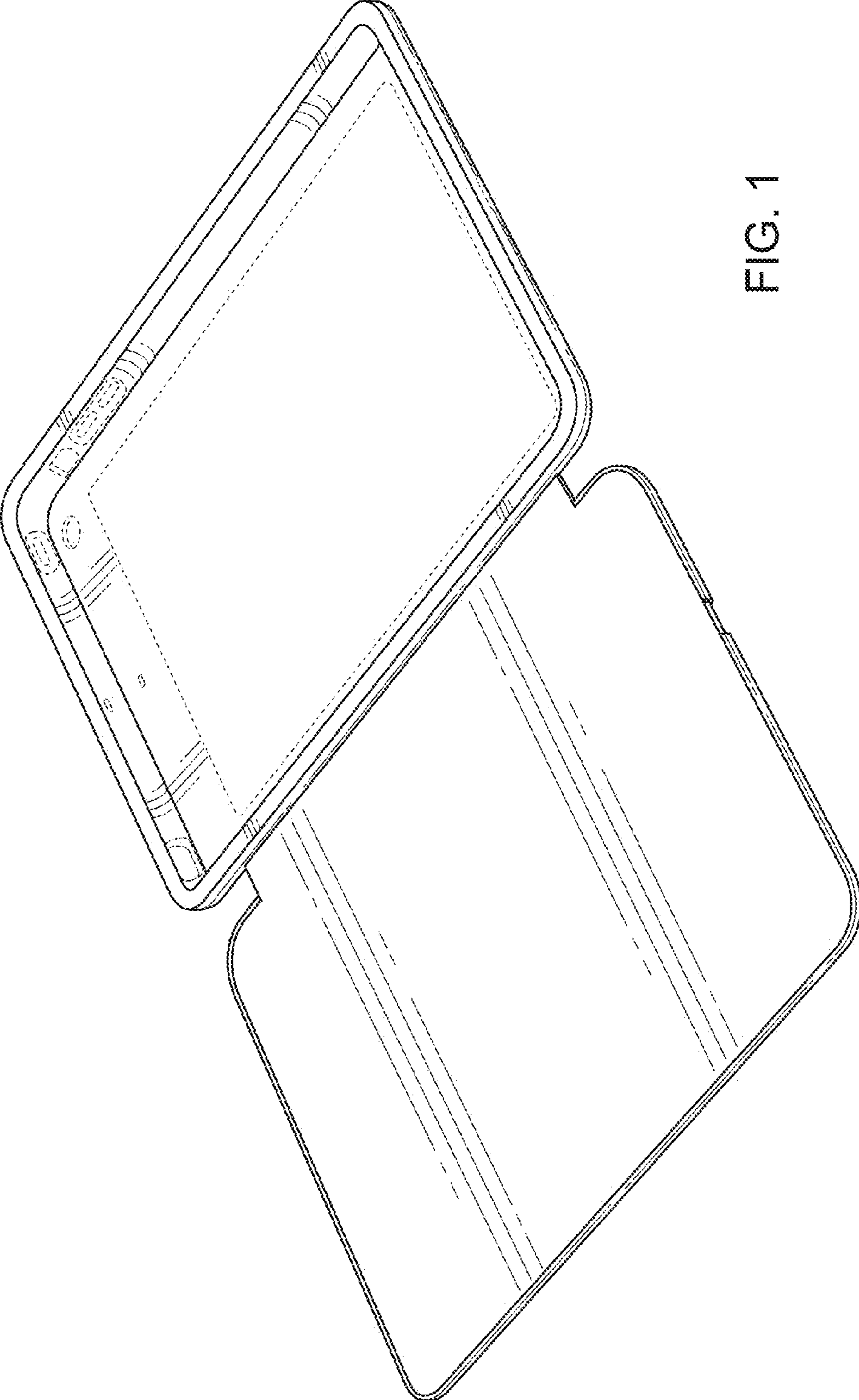


FIG. 1

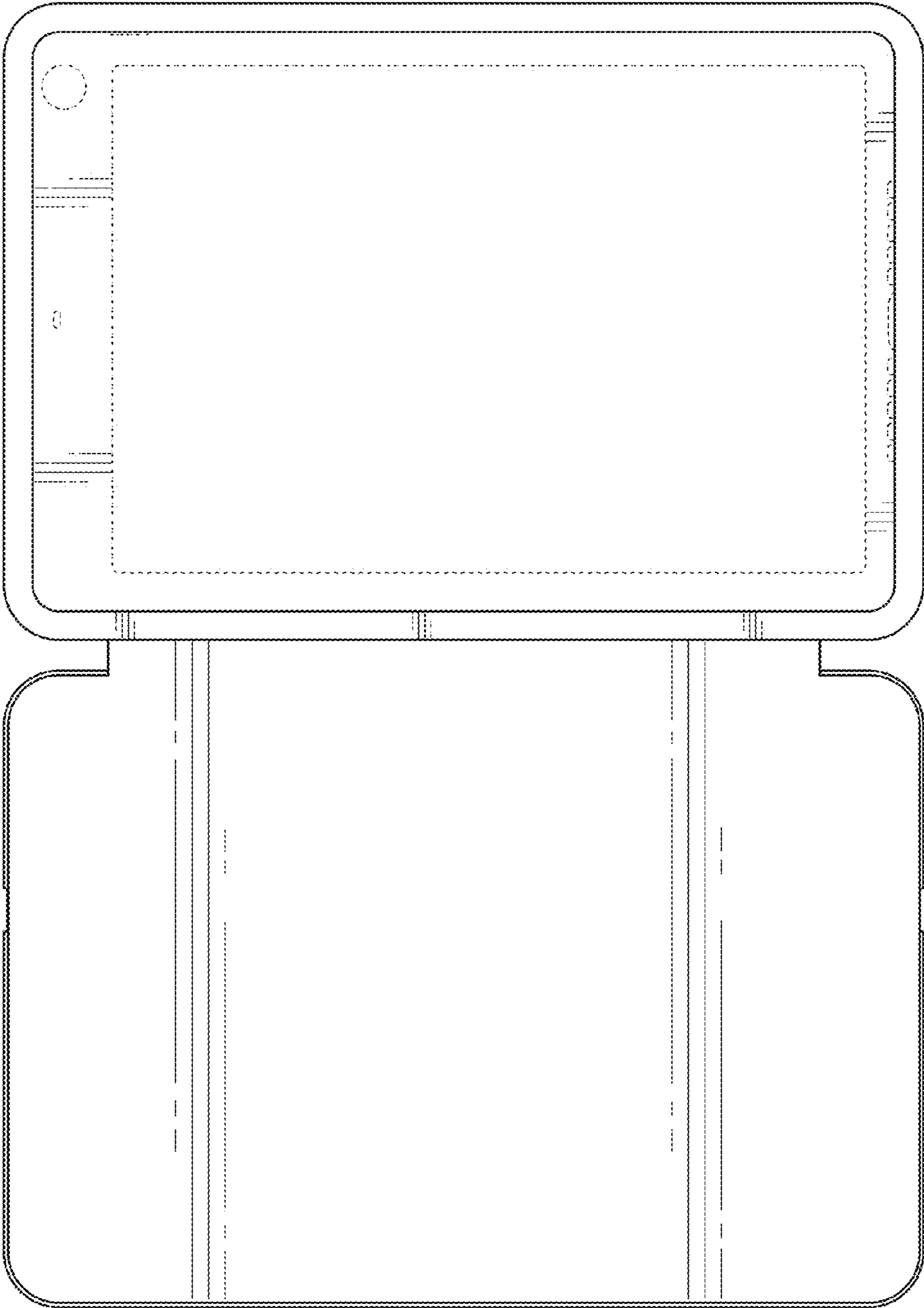


FIG. 2

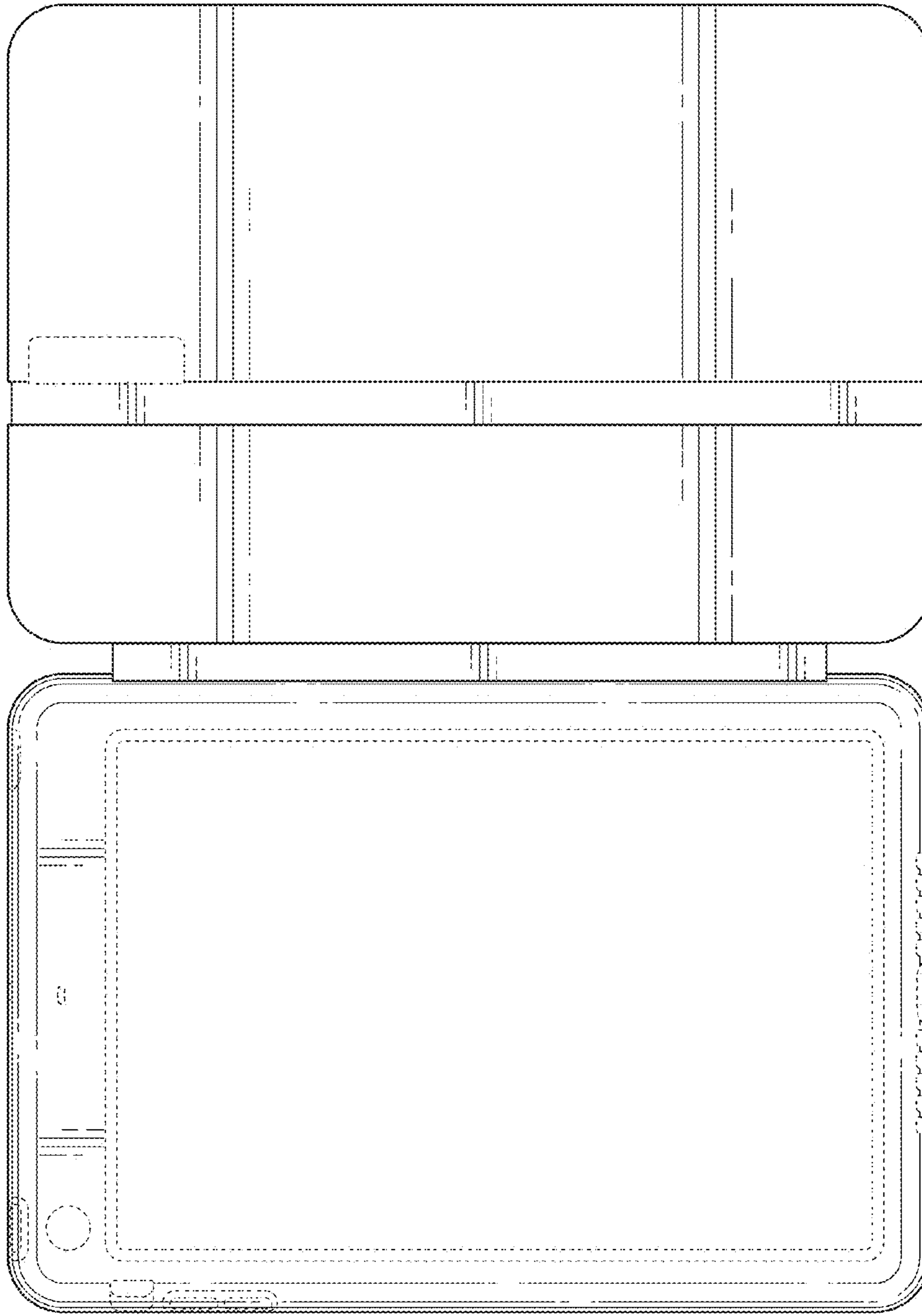


FIG. 3

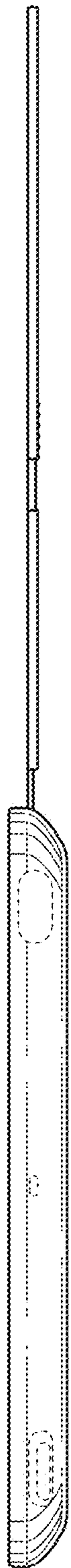


FIG. 4

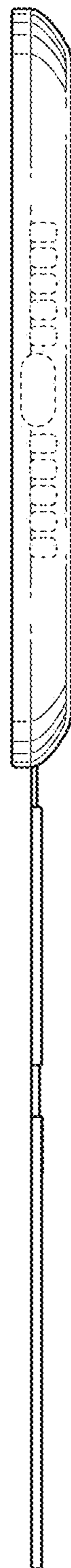


FIG. 5

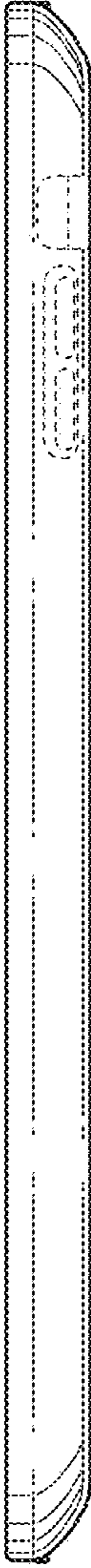


FIG. 6



FIG. 7

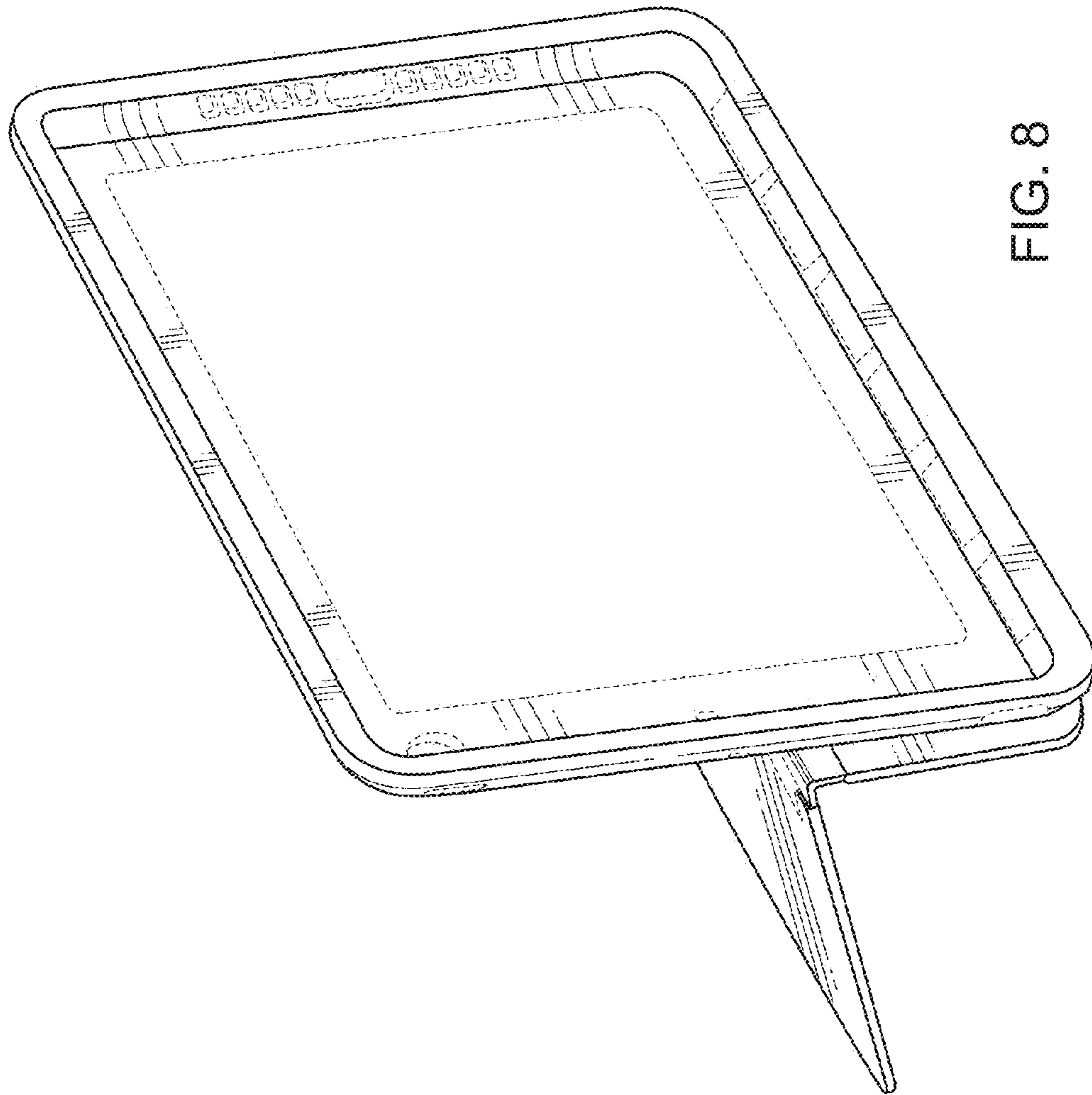


FIG. 8

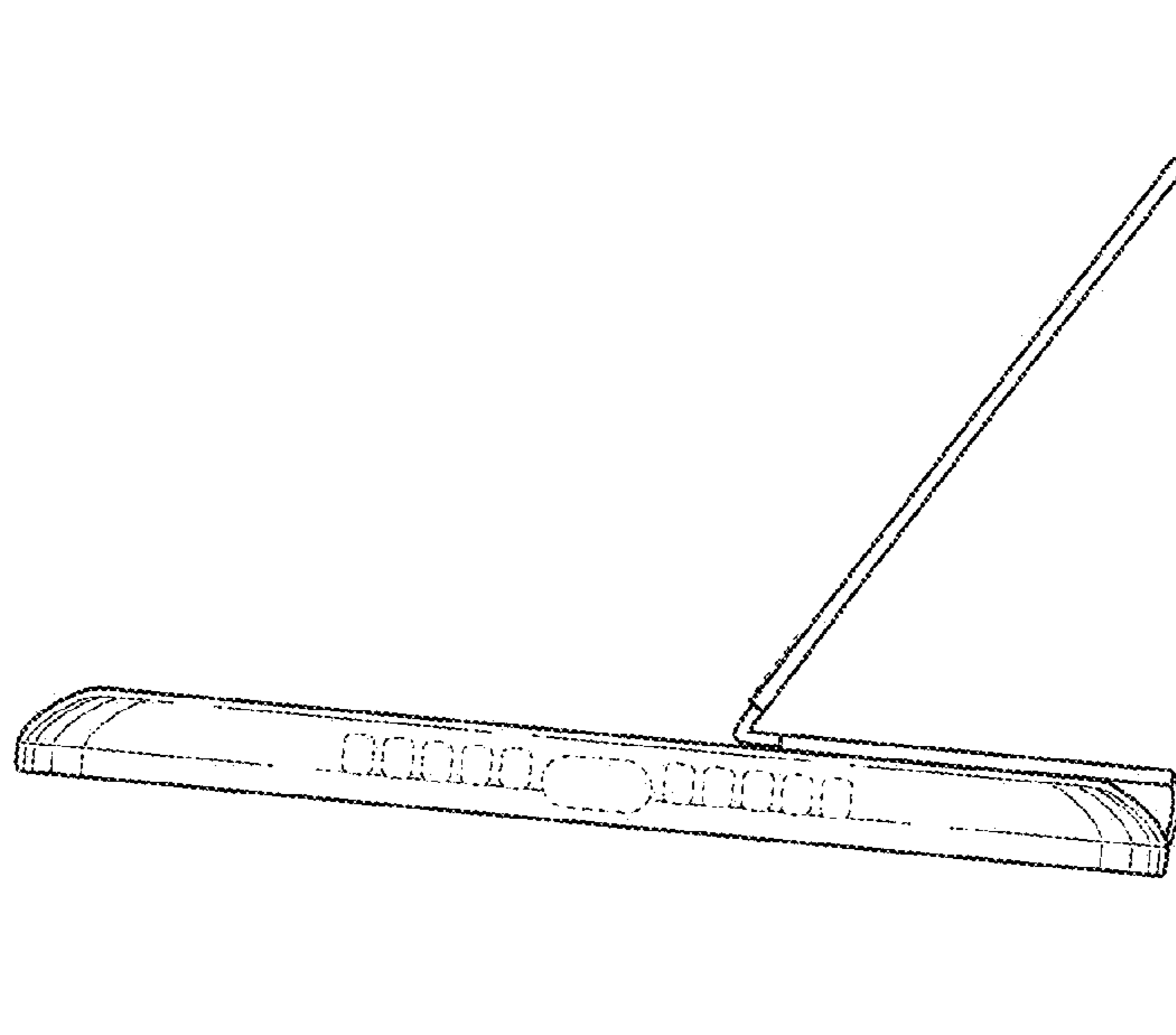


FIG. 9

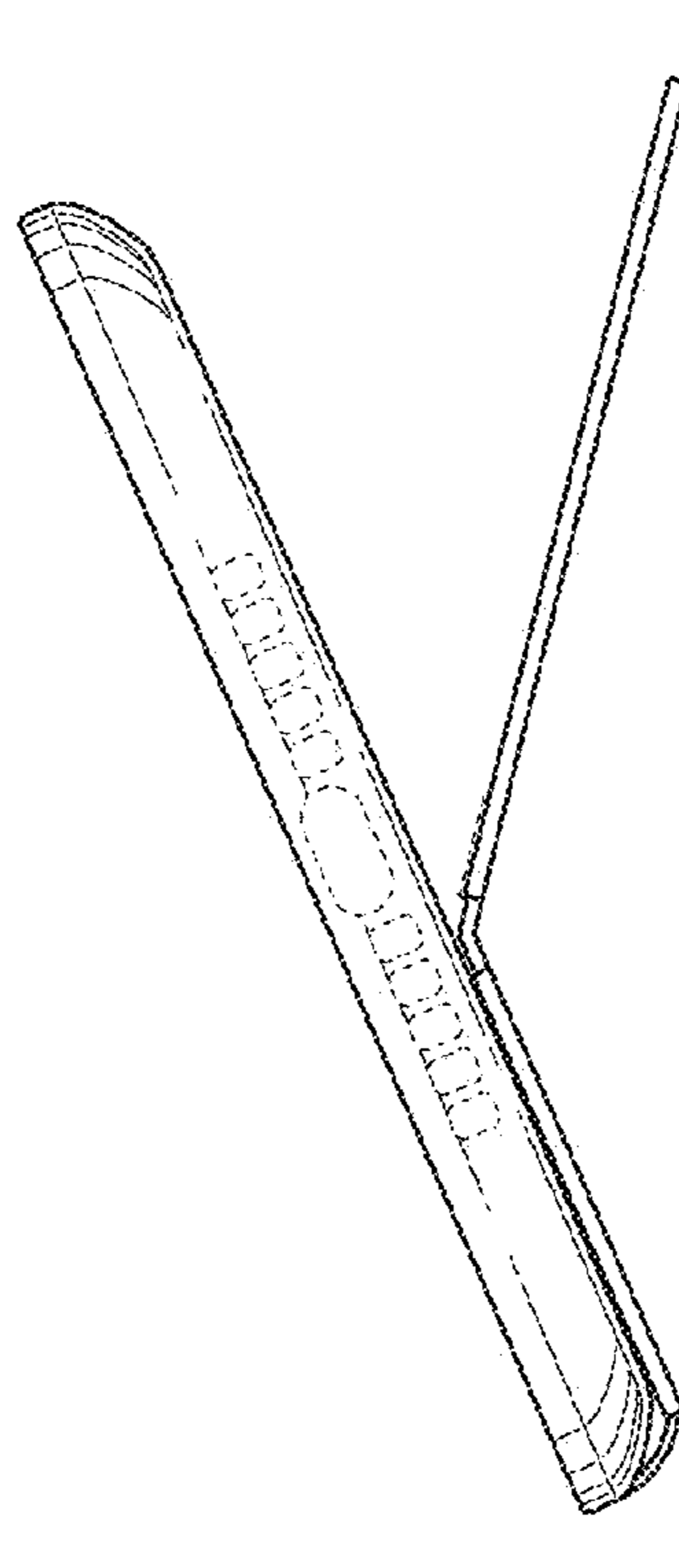


FIG. 10

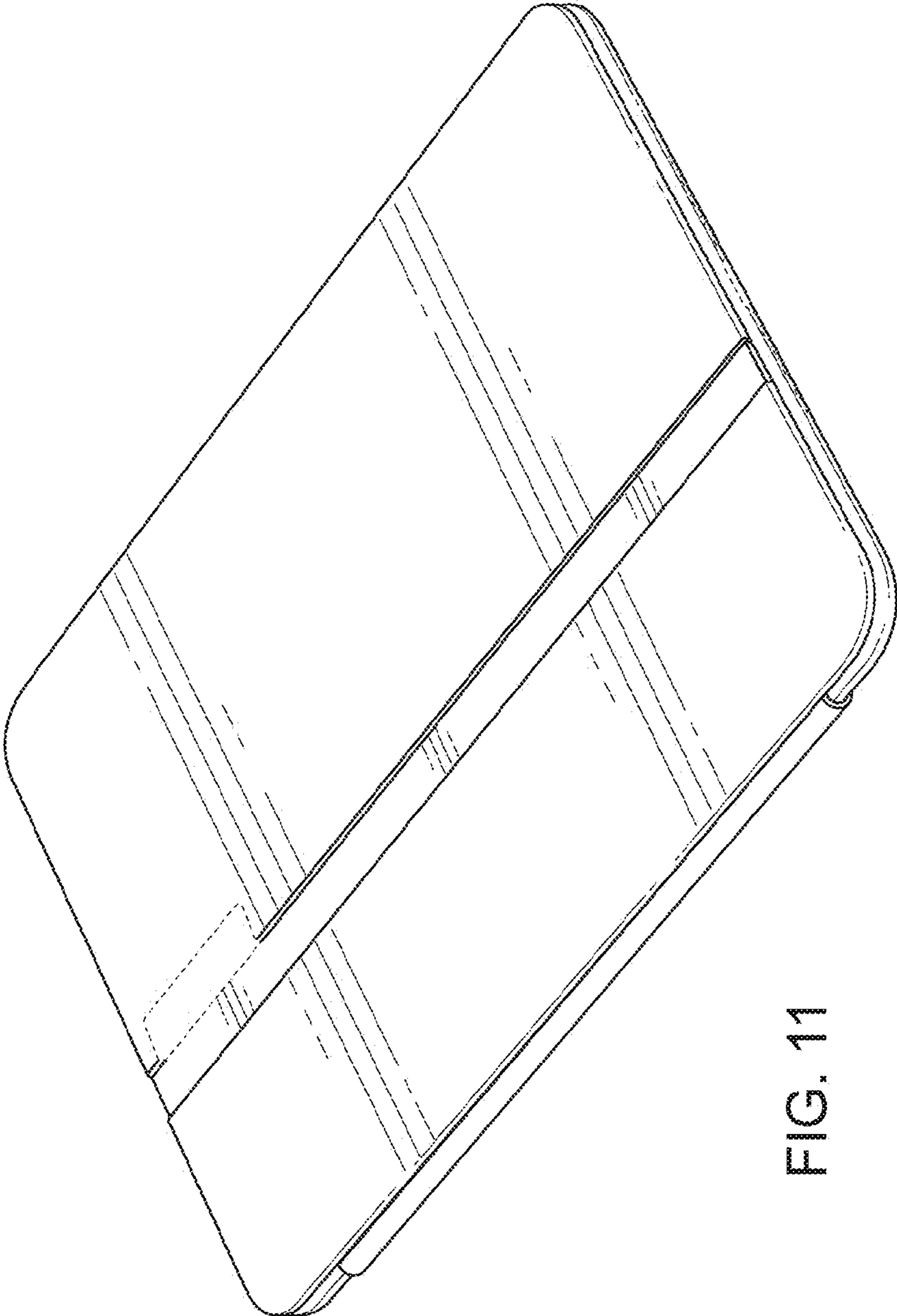


FIG. 11