

US00D761797S

(12) **United States Design Patent**  
**Kang et al.**

(10) **Patent No.:** **US D761,797 S**  
(45) **Date of Patent:** **\*\* Jul. 19, 2016**

(54) **MONITOR**

D648,336 S \* 11/2011 Yagi ..... D14/374  
D705,225 S \* 5/2014 Huh ..... D14/374

(71) Applicant: **Samsung Electronics Co., Ltd.**,  
Suwon-si (KR)

FOREIGN PATENT DOCUMENTS

(72) Inventors: **Min-Sun Kang**, Seoul (KR); **Tae-Won Won**, Seoul (KR); **Yong-Joo Lee**, Seoul (KR)

KR 30-2010-0018007 7/2011  
KR 30-2013-0019995 7/2011  
KR 30-2011-0056213 12/2012  
KR 30-2013-0006568 3/2014  
KR 30-2013-0057943 8/2014

(73) Assignee: **Samsung Electronics Co., Ltd.**,  
Suwon-si (KR)

\* cited by examiner

(\*\*) Term: **14 Years**

*Primary Examiner* — Freda S Nunn

(21) Appl. No.: **29/522,259**

(74) *Attorney, Agent, or Firm* — NSIP Law

(22) Filed: **Mar. 30, 2015**

(30) **Foreign Application Priority Data**

Nov. 7, 2014 (KR) ..... 30-2014-0053670

(51) **LOC (10) Cl.** ..... **14-02**

(52) **U.S. Cl.**  
USPC ..... **D14/374**

(58) **Field of Classification Search**  
USPC ..... D14/371-375, 125-129, 336, 337;  
341/12; 345/104, 156, 168, 173;  
348/180, 184, 325, 739; 349/1, 2, 11,  
349/62; 361/679.05-679.07, 679.21;  
D6/300, 308  
CPC ..... G06F 1/16; G06F 1/1601; G06F 3/037;  
G06F 1/162; F16M 11/02; F16M 11/10;  
F16M 11/00  
See application file for complete search history.

(56) **References Cited**

U.S. PATENT DOCUMENTS

D601,147 S \* 9/2009 Ding ..... D14/375

(57) **CLAIM**

We claim the ornamental design for a monitor, as shown and described.

**DESCRIPTION**

FIG. 1 is a front perspective view of a monitor showing our new design;  
FIG. 2 is a front view thereof;  
FIG. 3 is a rear view thereof;  
FIG. 4 is a left-side view thereof;  
FIG. 5 is a right-side view thereof;  
FIG. 6 is a top view thereof;  
FIG. 7 is a bottom view thereof; and,  
FIG. 8 is a rear perspective view thereof.  
The broken lines in the figures show portions of the monitor which form no part of the claimed design.

**1 Claim, 7 Drawing Sheets**

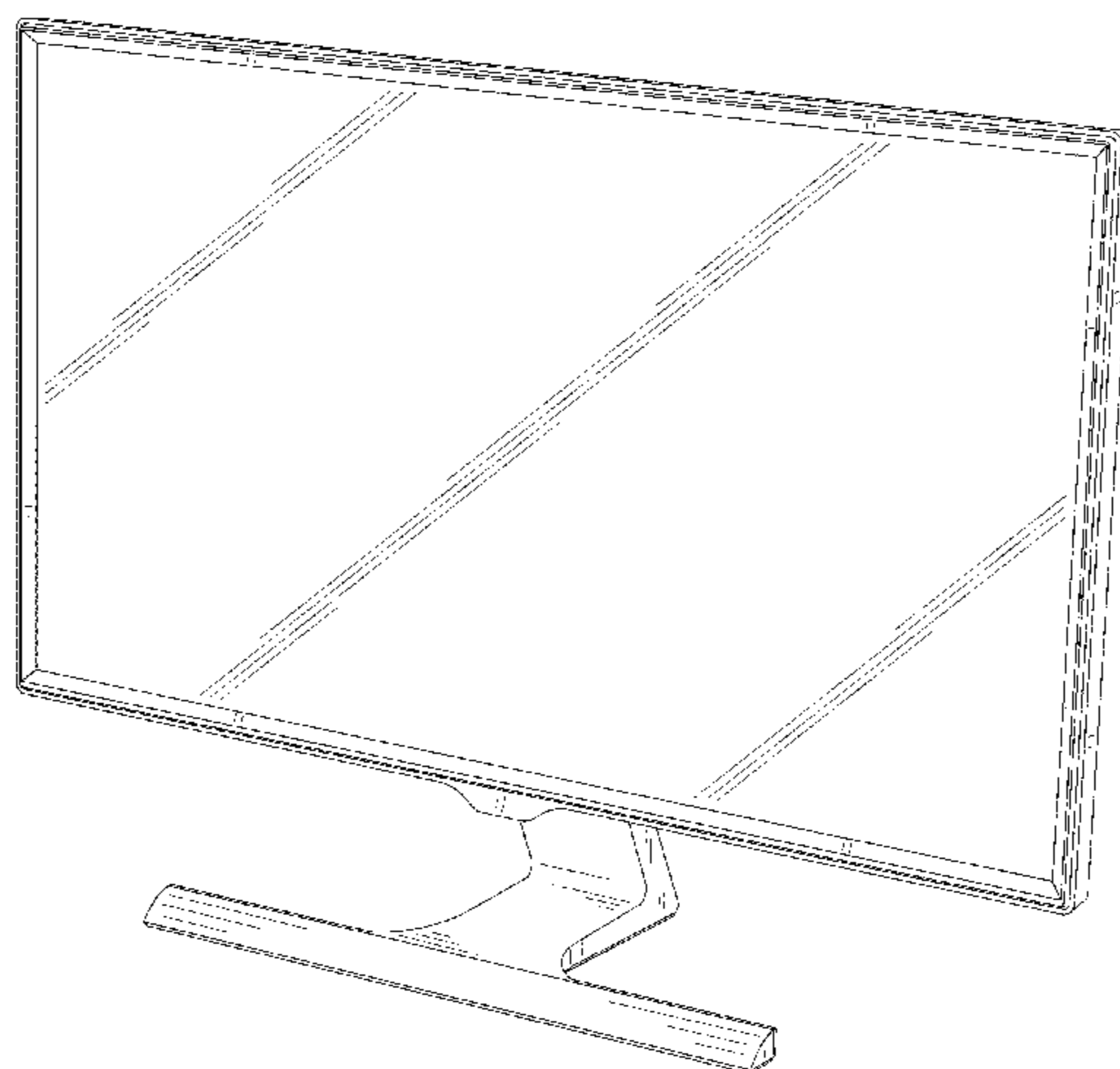


FIG. 1

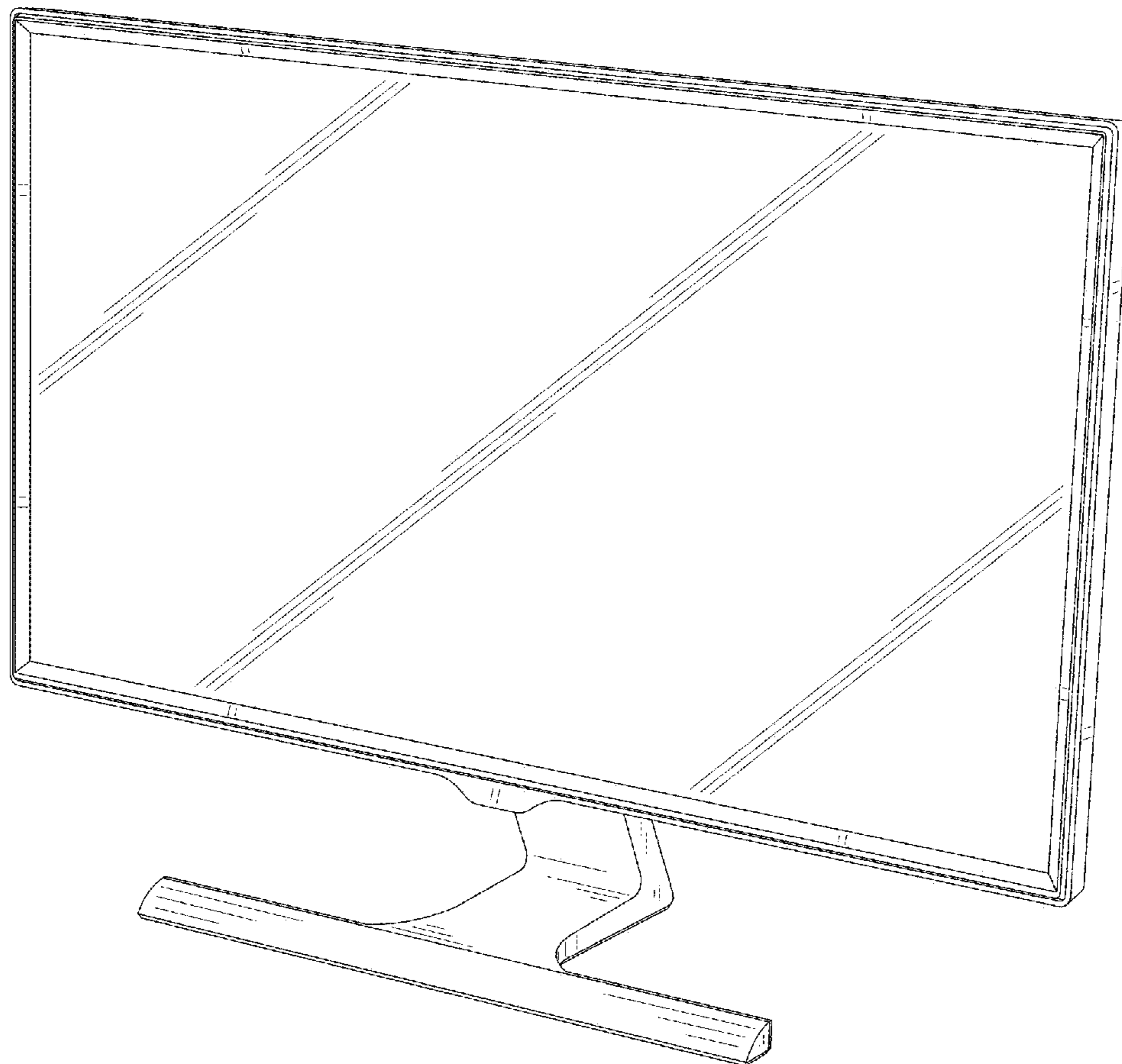


FIG. 2

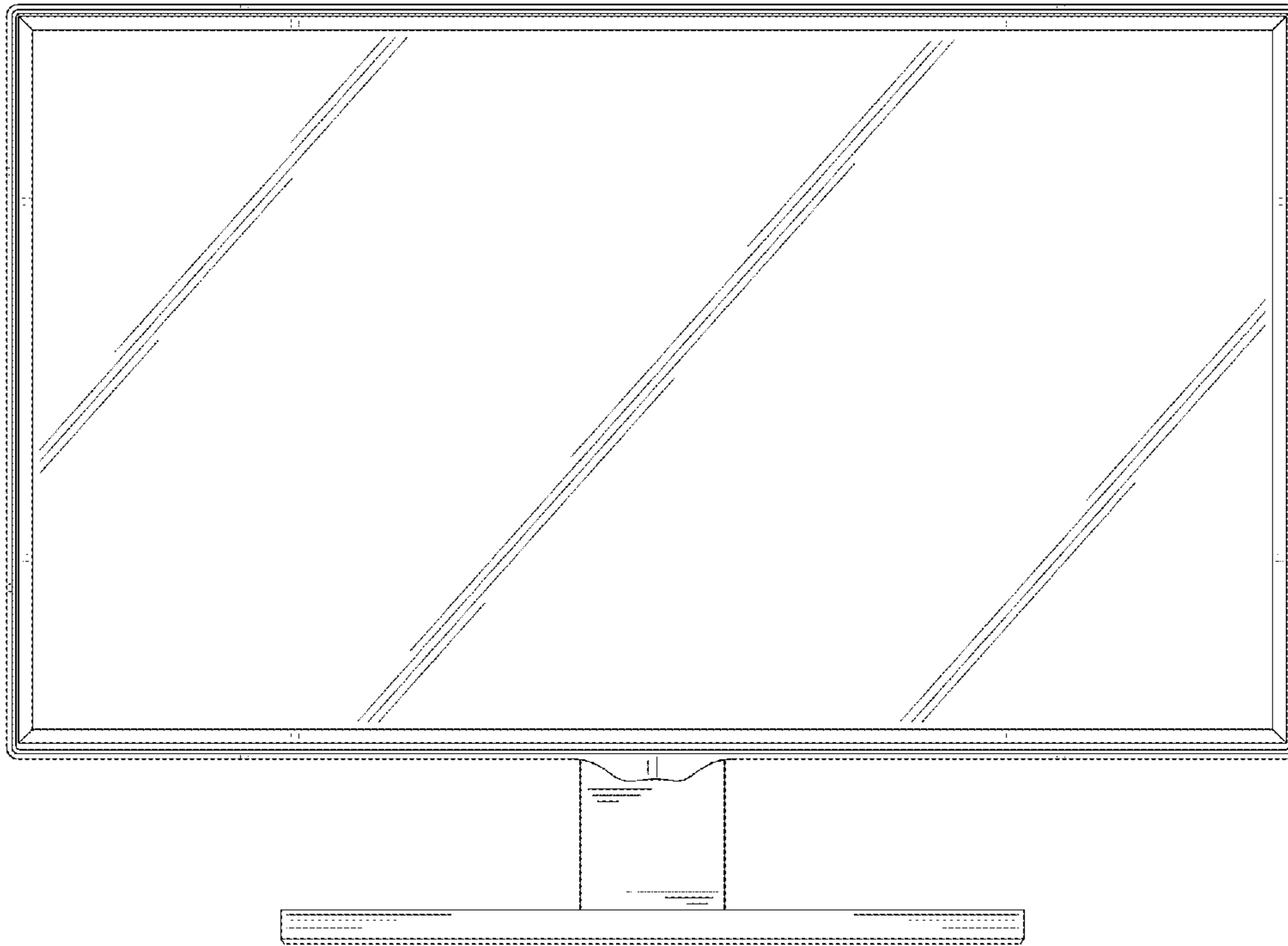


FIG. 3

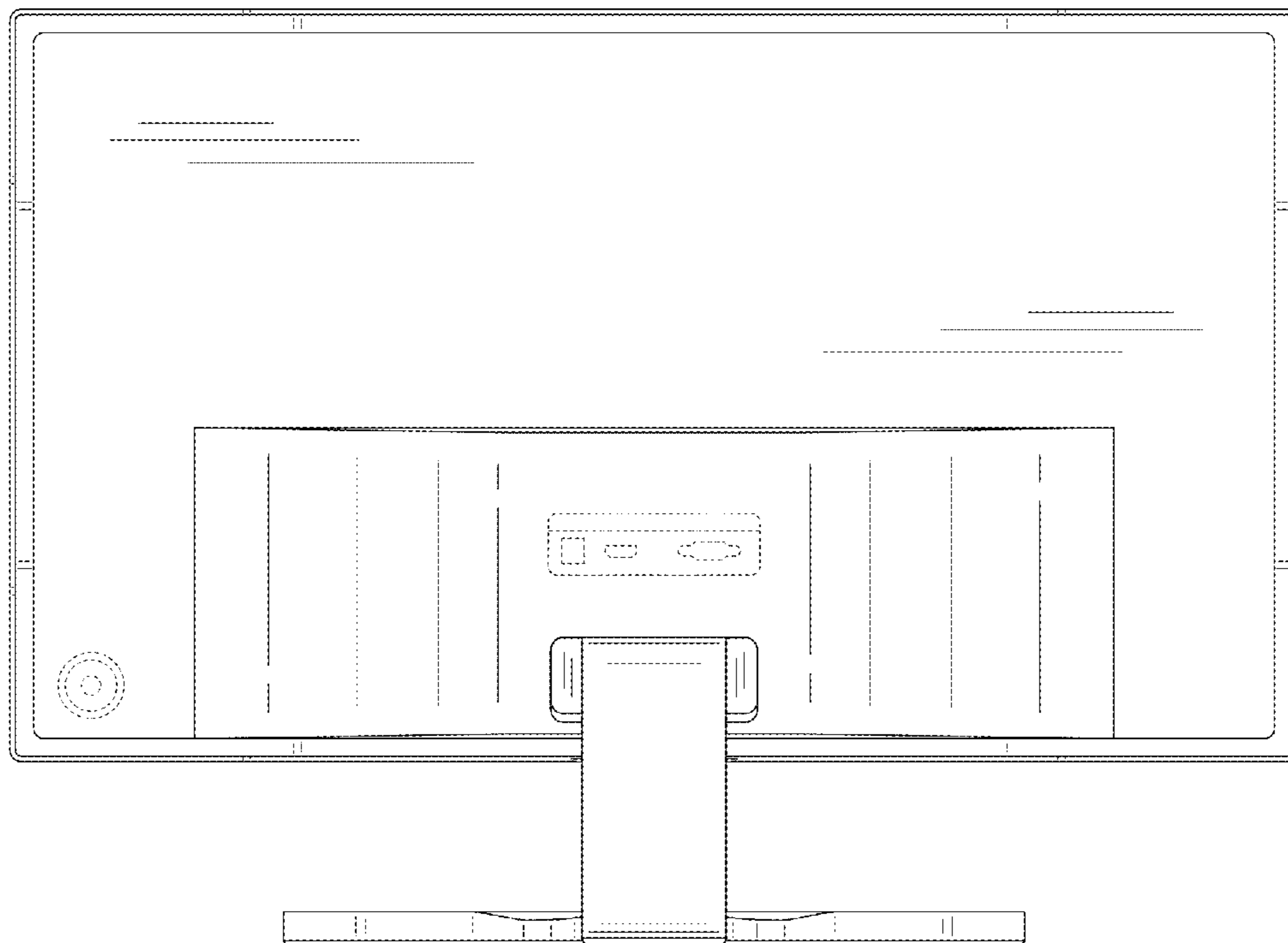


FIG. 4

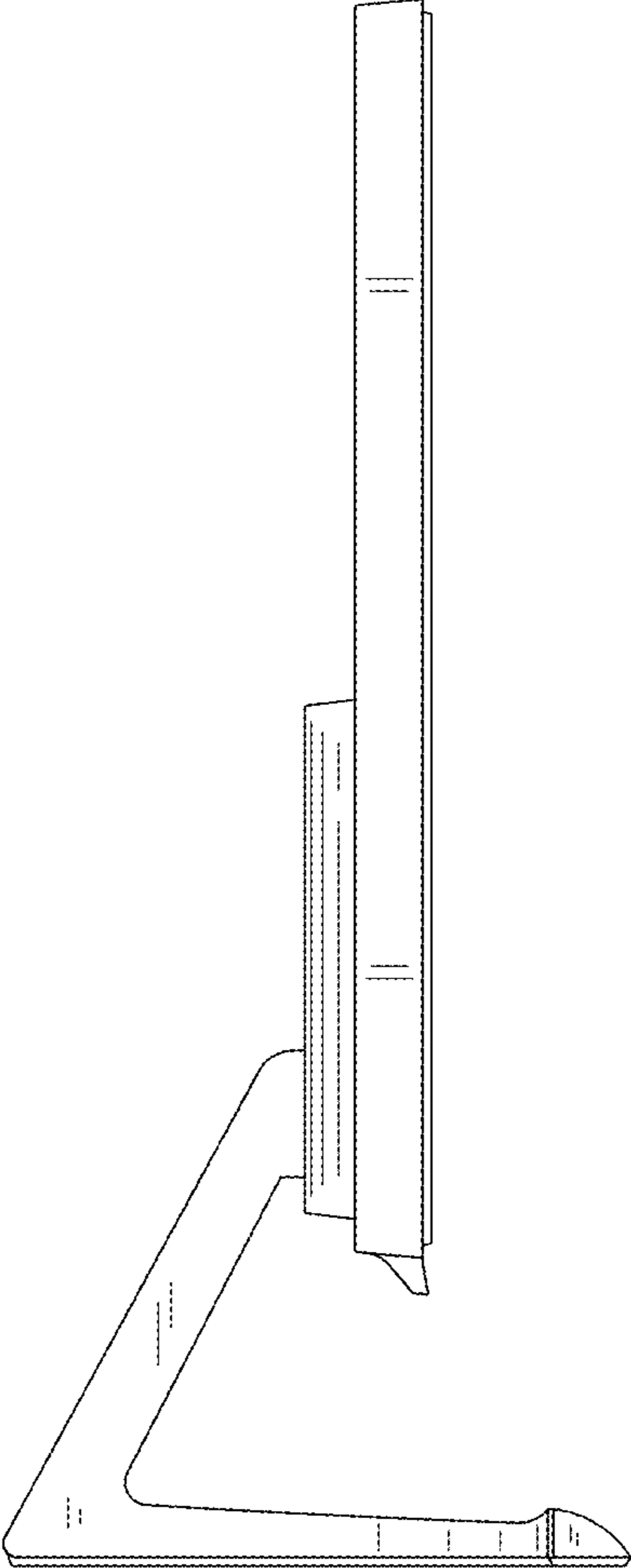


FIG. 5

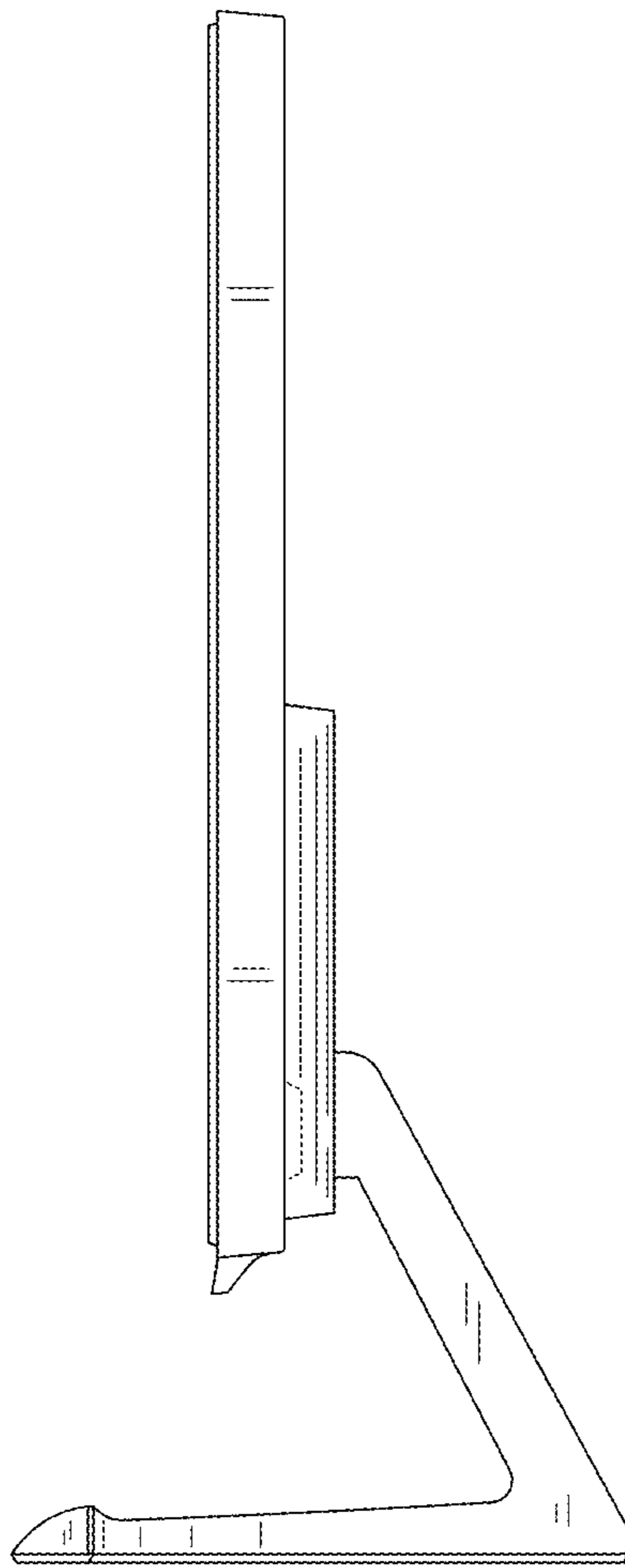


FIG. 6

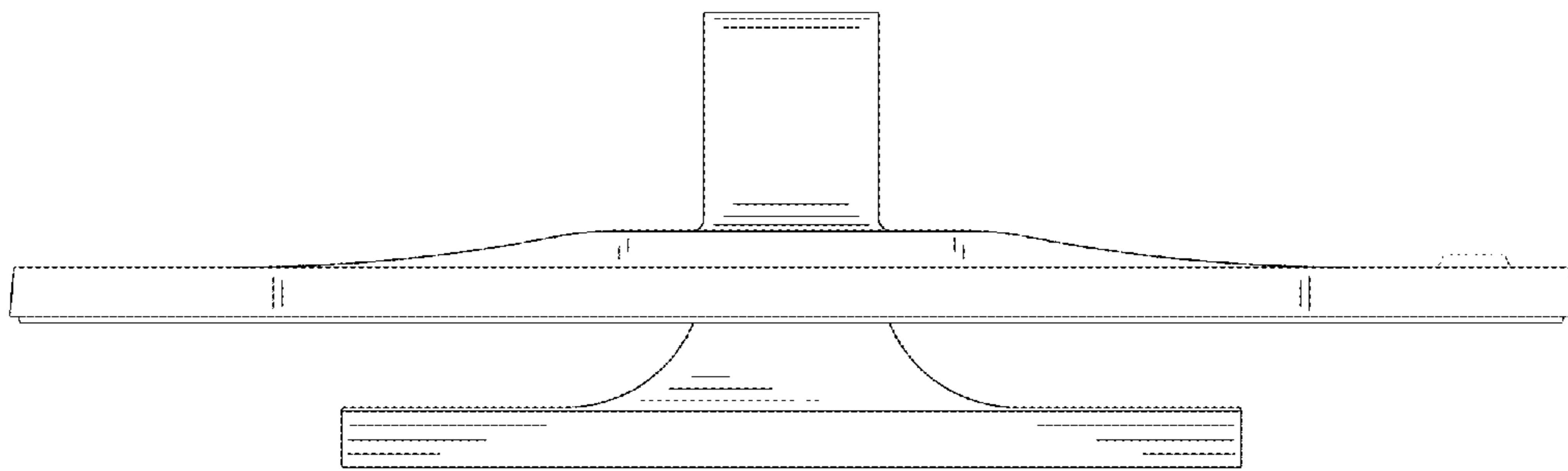


FIG. 7

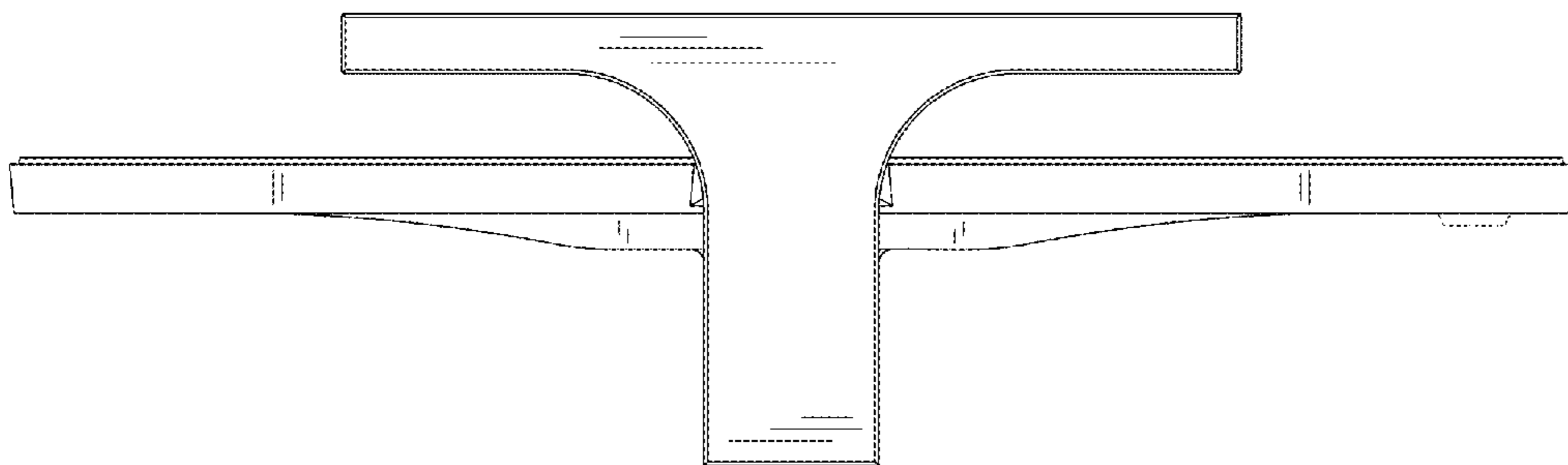


FIG. 8

