



US00D761782S

(12) **United States Design Patent**  
**Kitching**

(10) **Patent No.:** **US D761,782 S**  
(45) **Date of Patent:** **\*\* Jul. 19, 2016**

(54) **PORTABLE ELECTRONIC DEVICE STAND**

(71) Applicant: **Louis Kitching**, Buford, GA (US)

(72) Inventor: **Louis Kitching**, Buford, GA (US)

(\*\*) Term: **14 Years**

(21) Appl. No.: **29/493,841**

(22) Filed: **Jun. 13, 2014**

(51) **LOC (10) Cl.** ..... **14-03**

(52) **U.S. Cl.**  
USPC ..... **D14/253**

(58) **Field of Classification Search**  
USPC ..... D14/250, 251–253, 432, 434, 447, 451,  
D14/452, 140, 142, 149, 217, 240;  
D21/313; D13/107, 108; D10/23;  
D8/71, 72, 74, 349, 373; D6/302, 303,  
D6/306, 310, 312, 315, 328; 455/575.1;  
D19/75, 86, 88, 90, 91, 95; D16/242,  
D16/245; D3/218; D12/415  
CPC ..... H04M 1/00; H04M 1/04; H04M 1/06;  
H04M 1/11; F16M 11/04; F16M 11/041;  
B60R 11/02; B60R 11/0241; B60R 11/0258;  
B60R 11/0252  
See application file for complete search history.

(56) **References Cited**

**U.S. PATENT DOCUMENTS**

D289,346 S *	4/1987	Arato .....	D6/310
D349,042 S *	7/1994	Costello .....	D8/373
D384,504 S *	10/1997	Christie .....	D3/320
D386,766 S *	11/1997	Johansson .....	D14/253
D389,187 S *	1/1998	Gillespie .....	D19/87
D393,795 S *	4/1998	Bernstein .....	D8/373

D616,431 S *	5/2010	Hijmans .....	D14/253
D618,692 S *	6/2010	Deutsch et al. ....	D14/447
D640,708 S *	6/2011	Lee .....	D14/447
D647,881 S *	11/2011	Warner .....	D14/217
D658,170 S *	4/2012	Chen et al. ....	D14/253
D677,260 S *	3/2013	Hong et al. ....	D14/447
D693,826 S *	11/2013	Ashida et al. ....	D14/447
D714,297 S *	9/2014	Poulsen et al. ....	D14/447
D715,804 S *	10/2014	Frenzel .....	D14/447
D717,306 S *	11/2014	Clouser .....	D14/447
D721,712 S *	1/2015	Byrne et al. ....	D14/447
2014/0153182 A1 *	6/2014	North et al. ....	361/679.41

\* cited by examiner

*Primary Examiner* — Susan Bennett Hattan

*Assistant Examiner* — Marie Fast Horse

(74) *Attorney, Agent, or Firm* — Incorporating Innovation LLC; Charlena Thorpe, Esq.

(57) **CLAIM**

The ornamental design for a portable electronic device stand, as shown and described.

**DESCRIPTION**

FIG. 1 is a perspective view of the portable electronic device stand;

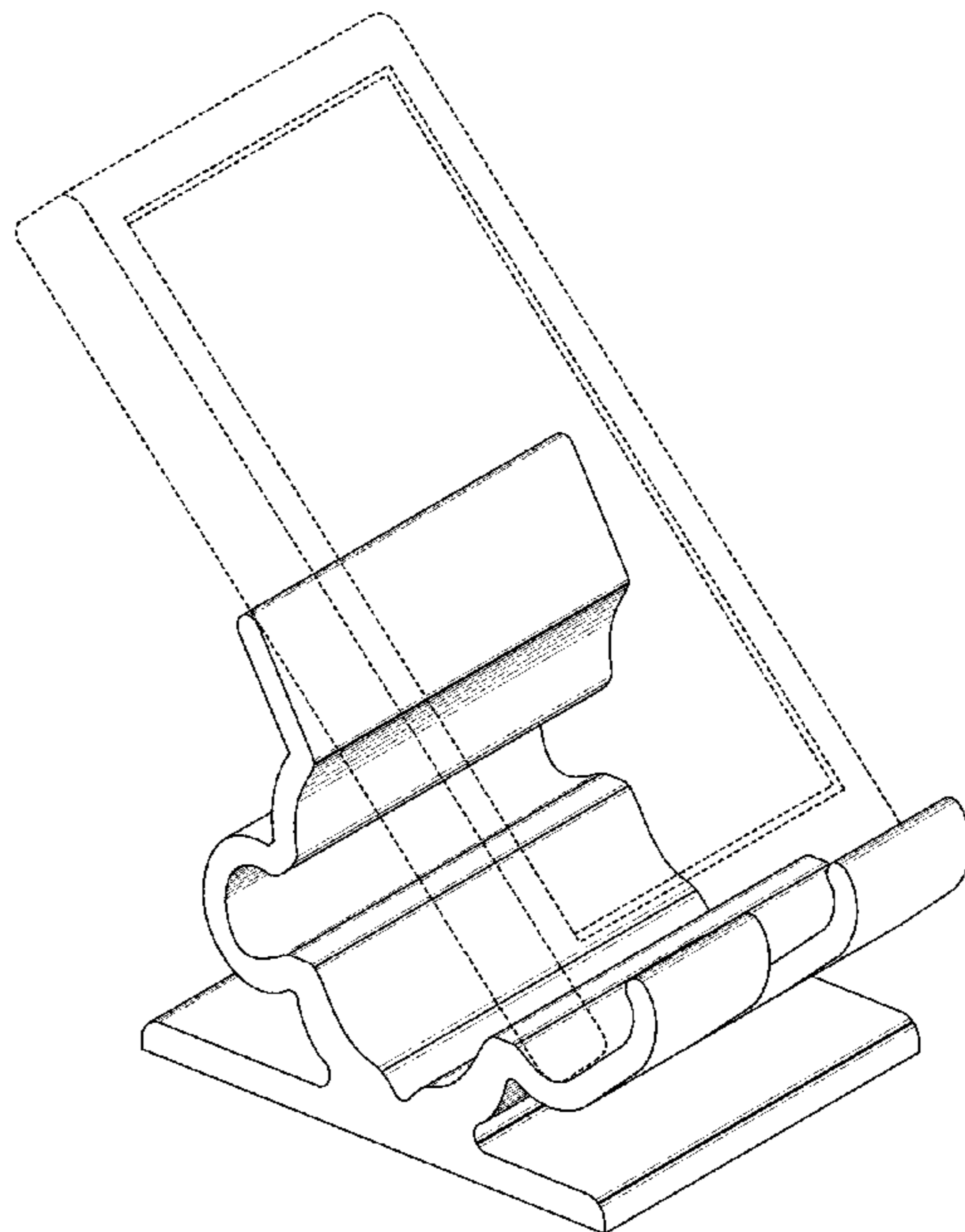
FIG. 2 is a right side view of the portable electronic device stand, the left side of which is a mirror image of the right side;

FIG. 3 is a top view thereof; and,  
FIG. 4 is a cross-sectional view taken along lines 4-4 in FIG. 3.

The broken lines in FIG. 1, showing a portable electronic device, depict environmental subject matter only and forms no part of the claimed design.

The bottom, exterior side forms no part of the claimed design.

**1 Claim, 2 Drawing Sheets**



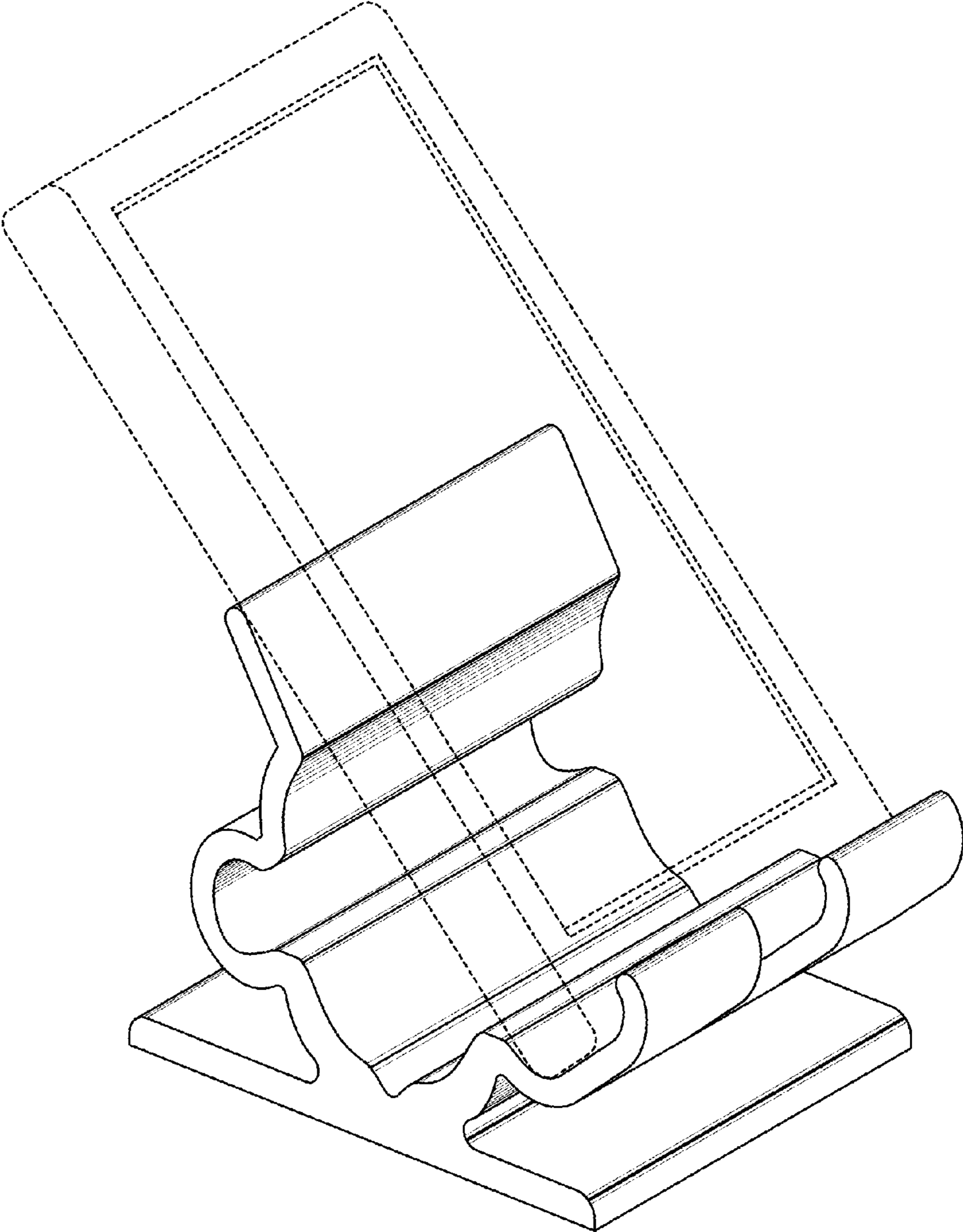


FIG. 1

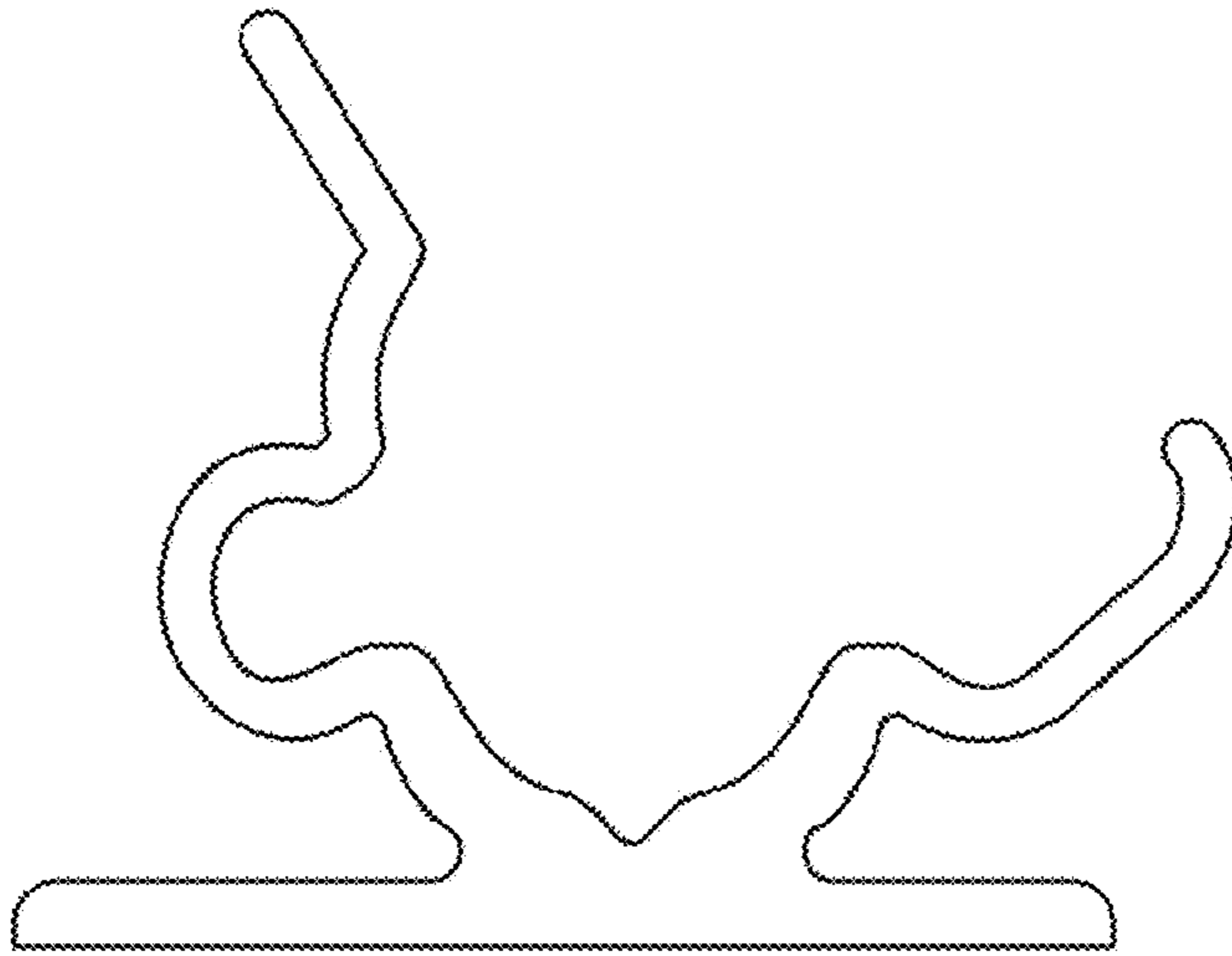


FIG. 2

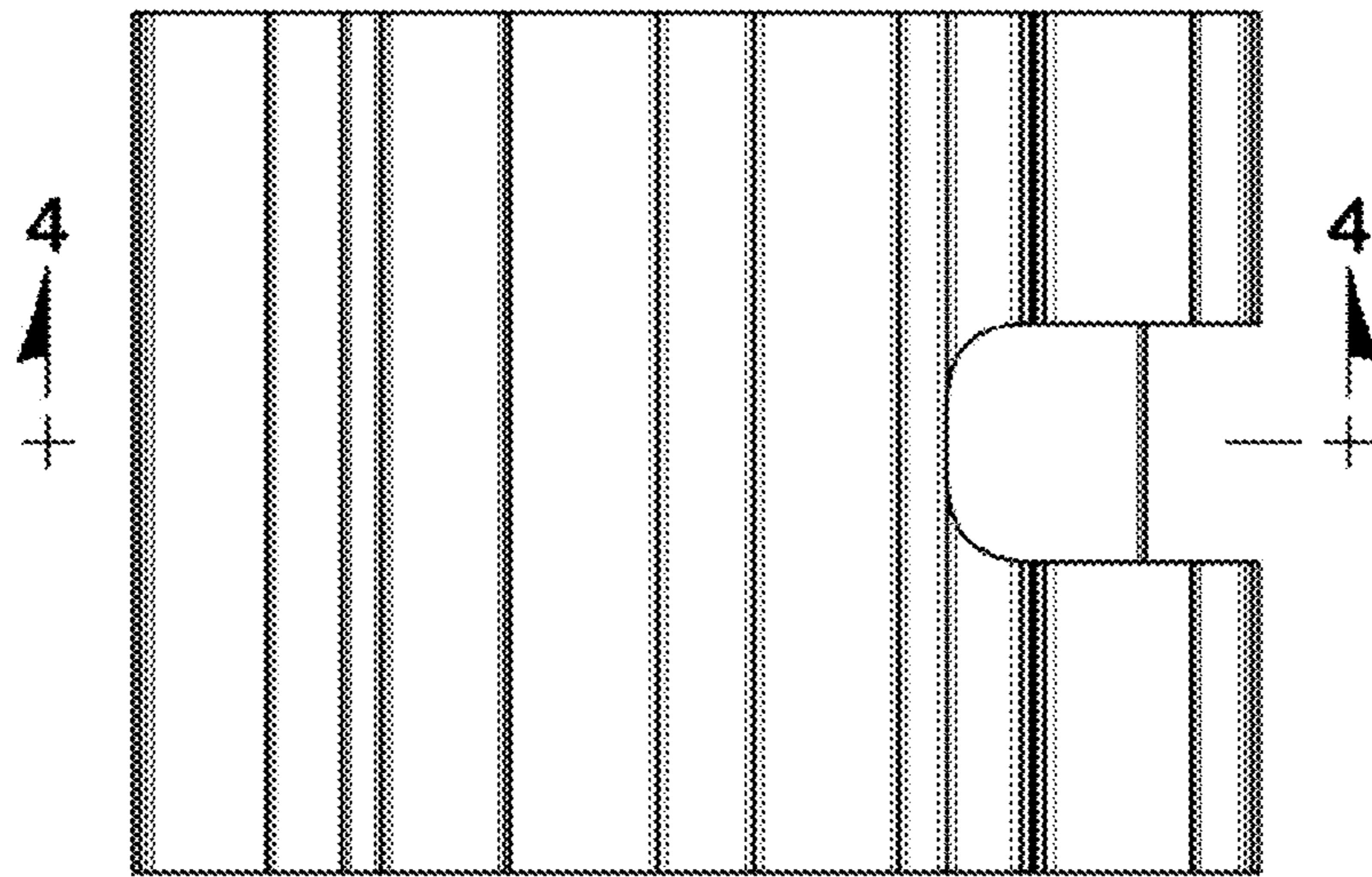


FIG. 3

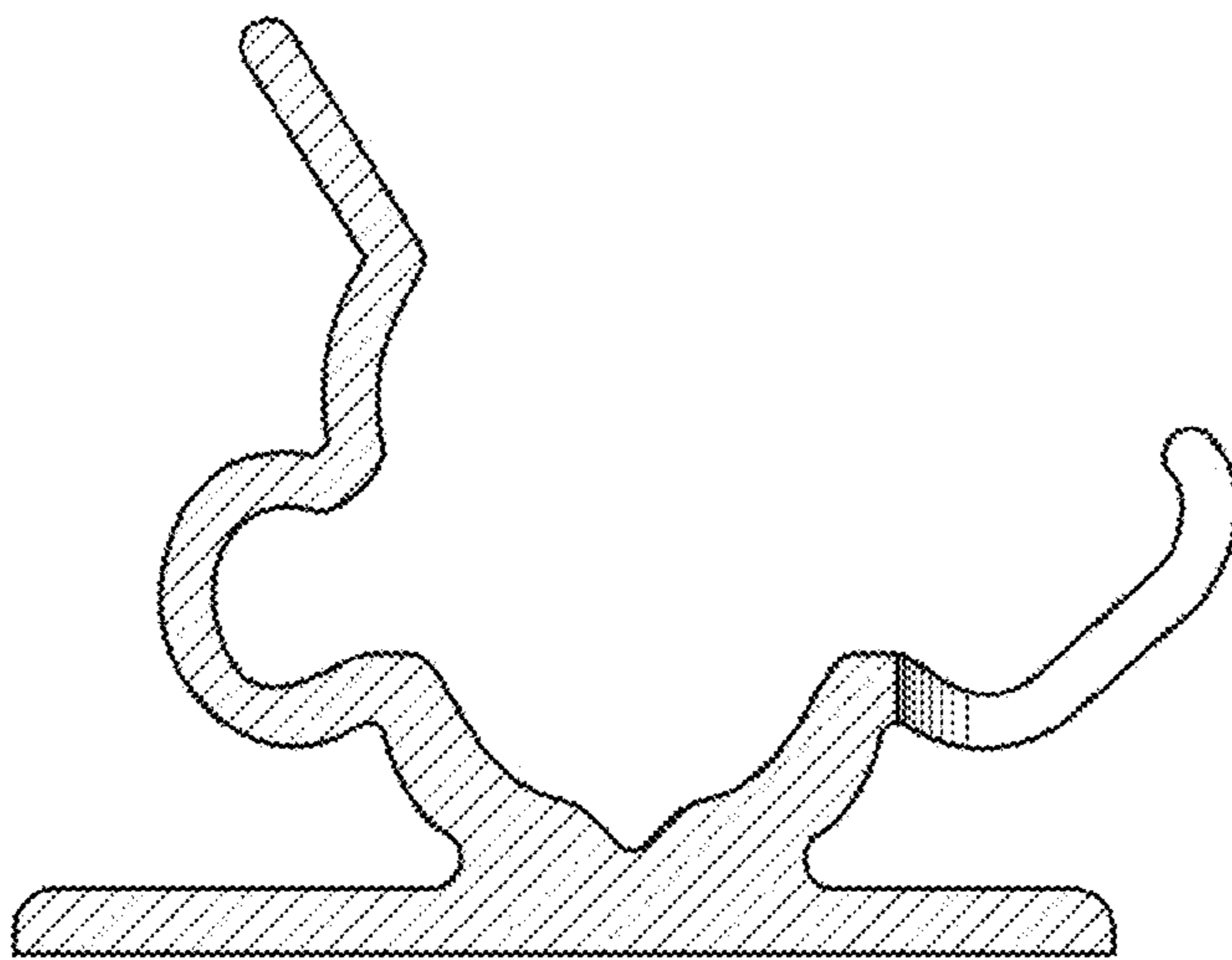


FIG. 4