



US00D761780S

(12) **United States Design Patent**
Nguyen et al.

(10) **Patent No.:** **US D761,780 S**
(45) **Date of Patent:** **** Jul. 19, 2016**

- (54) **CASE FOR A MOBILE PHONE**
- (71) Applicant: **SureFire, LLC**, Fountain Valley, CA (US)
- (72) Inventors: **Loc Nguyen**, Santa Ana, CA (US); **John W. Matthews**, Newport Beach, CA (US)
- (73) Assignee: **SureFire, LLC**, Fountain Valley, CA (US)
- (**) Term: **15 Years**
- (21) Appl. No.: **29/528,851**
- (22) Filed: **Jun. 1, 2015**
- (51) **LOC (10) Cl.** **14-03**
- (52) **U.S. Cl.**
USPC **D14/250**
- (58) **Field of Classification Search**
USPC D14/238.1, 250, 440, 203.3–203.7, 217, D14/240, 248, 251–253, 447, 496; D3/201, D3/218, 247, 269, 273, 301, 303; D13/103, 107–108, 119
CPC A45C 1/06; A45C 11/00; A45C 13/02; A45C 2011/002; A45F 2005/026; A45F 2200/0525; A45F 2200/0516; H04B 1/3888; H04M 1/0283; H04M 1/0202
See application file for complete search history.

D702,672	S	*	4/2014	Mather	D14/250
D703,648	S	*	4/2014	Magness	D14/250
D705,769	S	*	5/2014	Esses	D14/250
D709,063	S	*	7/2014	Chang	D14/250
D709,064	S	*	7/2014	Chang	D14/250
D709,488	S	*	7/2014	Bulkley	D14/250
D709,868	S	*	7/2014	Witter	D14/250
D712,386	S	*	9/2014	Lu	D14/250
D712,388	S	*	9/2014	Jia	D14/250
D719,945	S	*	12/2014	Chiang	D14/250
D721,072	S	*	1/2015	Laffon de Mazieres	D14/250
D747,708	S	*	1/2016	Roberts	D14/250
2015/0076020	A1	*	3/2015	Smith	A45C 11/00 206/320

OTHER PUBLICATIONS

SureFire Phone Case, published Jan. 9, 2016, URL:<<http://soldiersystems.net/2016/01/09/surefirephonecase/>>, retrieved from internet on Mar. 14, 2016.*

* cited by examiner

Primary Examiner — Carla Jobe Wright
(74) *Attorney, Agent, or Firm* — Haynes and Boone, LLP

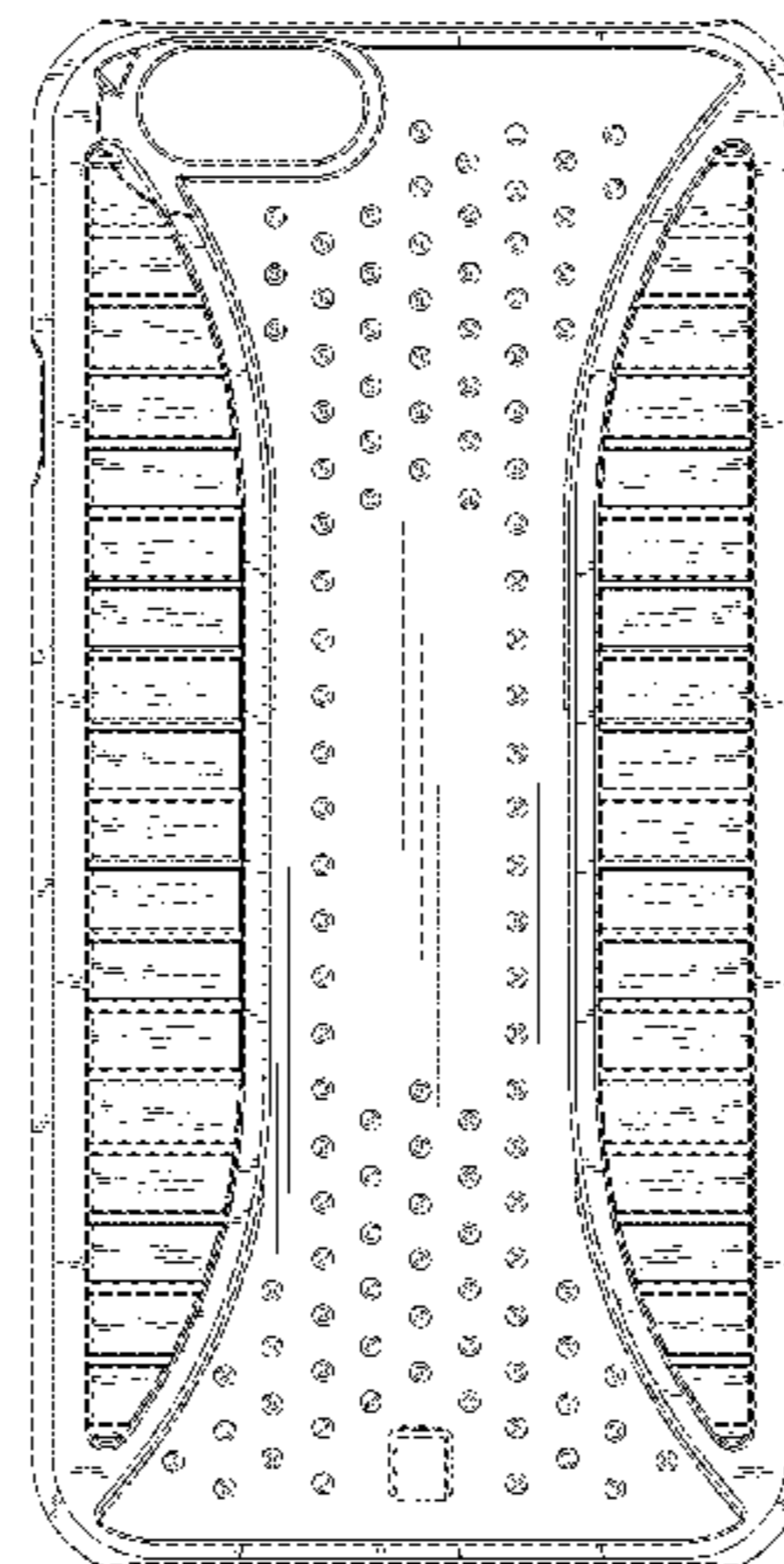
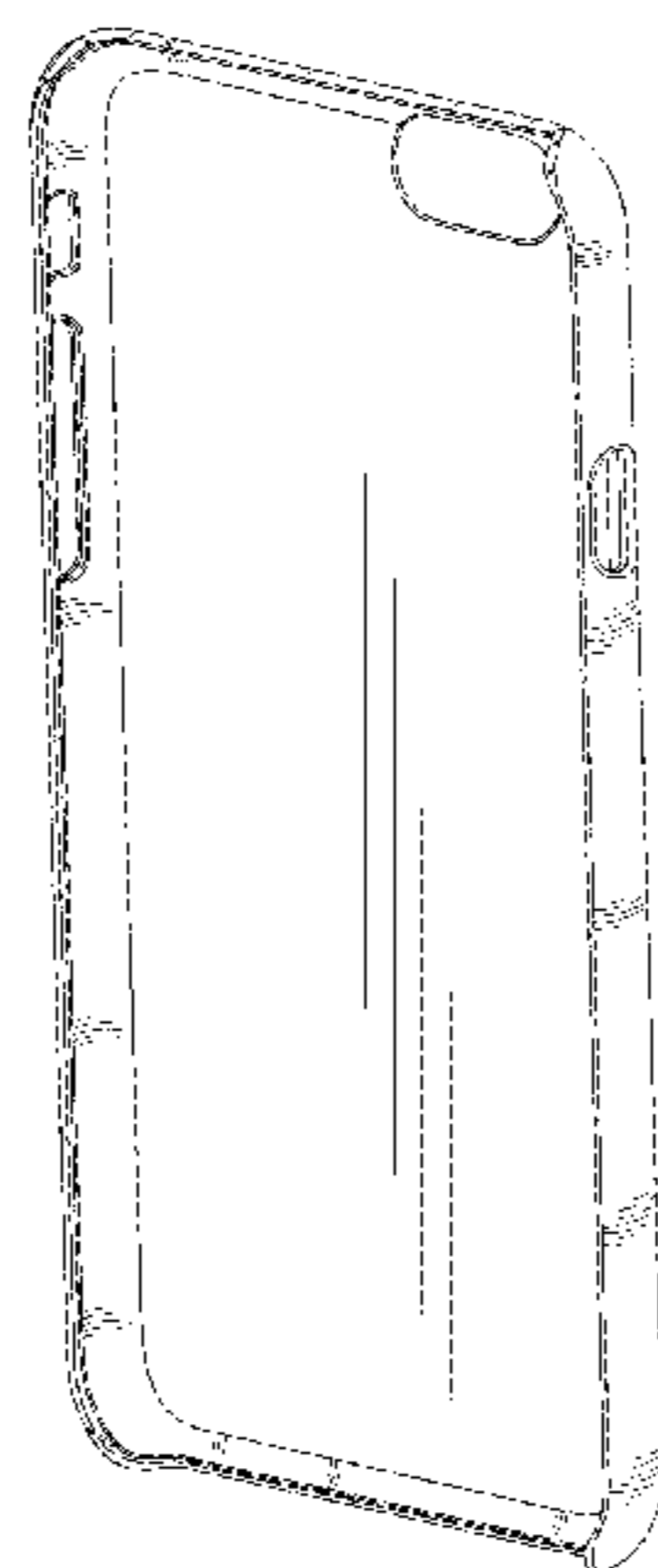
(57) **CLAIM**
The ornamental design for a case for a mobile phone, as shown and described.

DESCRIPTION

FIG. 1 is a rear perspective view of a case for a mobile phone showing our new design;
FIG. 2 is a front perspective view thereof;
FIG. 3 is a front elevational view thereof;
FIG. 4 is a rear elevational view thereof;
FIG. 5 is a left side elevational view thereof;
FIG. 6 is a right side elevational view thereof;
FIG. 7 is a top plan view thereof;
FIG. 8 is a bottom plan view thereof; and,
FIG. 9 is a front perspective view of the case with an environmental mobile phone.
The broken lines in the drawings illustrate environmental features which form no part of the claimed design.

1 Claim, 7 Drawing Sheets

- (56) **References Cited**
U.S. PATENT DOCUMENTS
- | | | | | | | |
|----------|---|---|---------|----------|-------|---------|
| D422,787 | S | * | 4/2000 | Feng | | D3/273 |
| D445,791 | S | * | 7/2001 | Ito | | D14/368 |
| D494,585 | S | * | 8/2004 | Aupperle | | D14/346 |
| D593,750 | S | * | 6/2009 | Song | | D3/269 |
| D641,756 | S | * | 7/2011 | Hsieh | | D14/440 |
| D642,171 | S | * | 7/2011 | Melanson | | D14/250 |
| D668,660 | S | * | 10/2012 | Norfolk | | D14/440 |
| D671,933 | S | * | 12/2012 | Rodgers | | D14/250 |
| D686,606 | S | * | 7/2013 | Hong | | D14/250 |
| D689,851 | S | * | 9/2013 | Chang | | D14/250 |
| D692,826 | S | * | 11/2013 | Aida | | D13/108 |
| D697,905 | S | * | 1/2014 | Chang | | D14/250 |



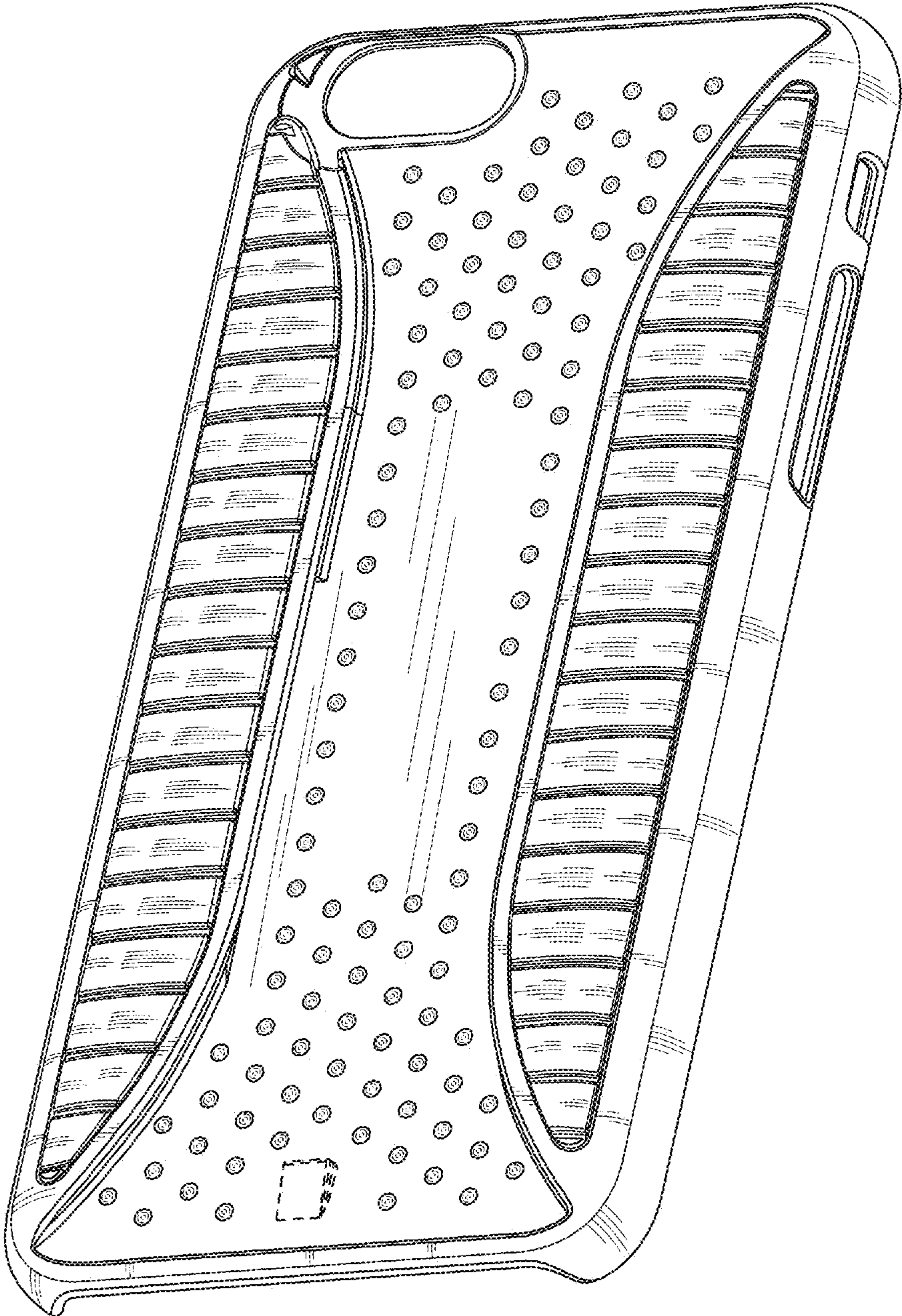


FIG. 1

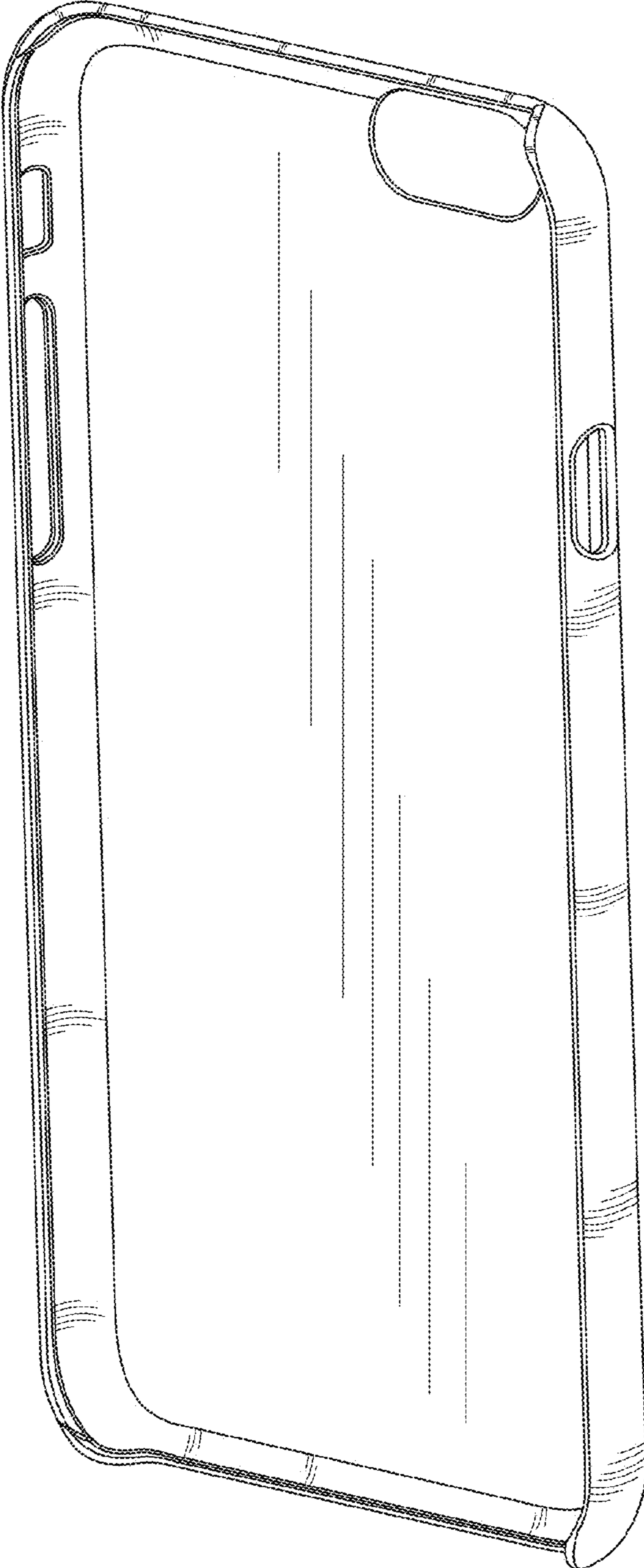


FIG. 2

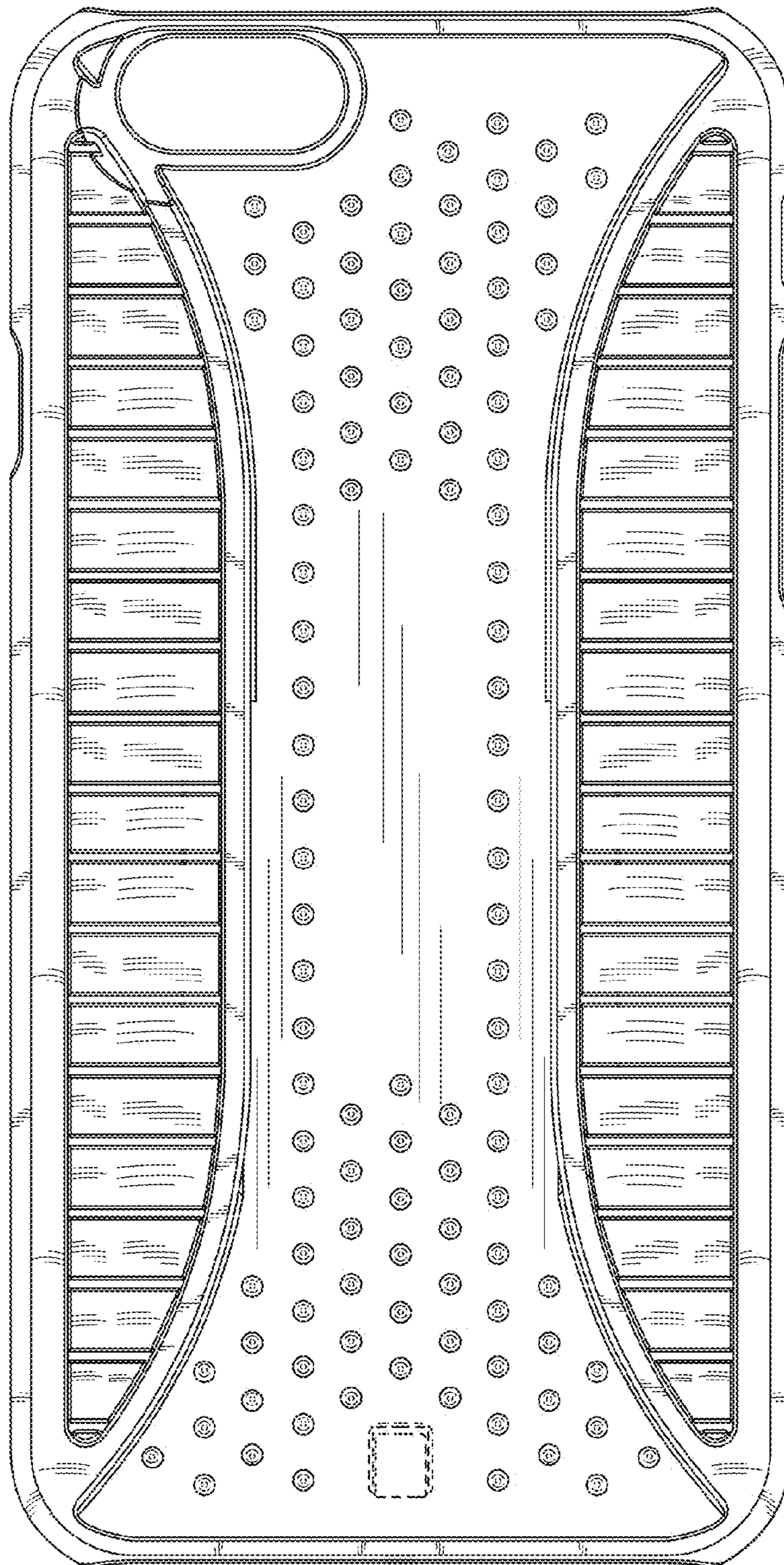


FIG. 3

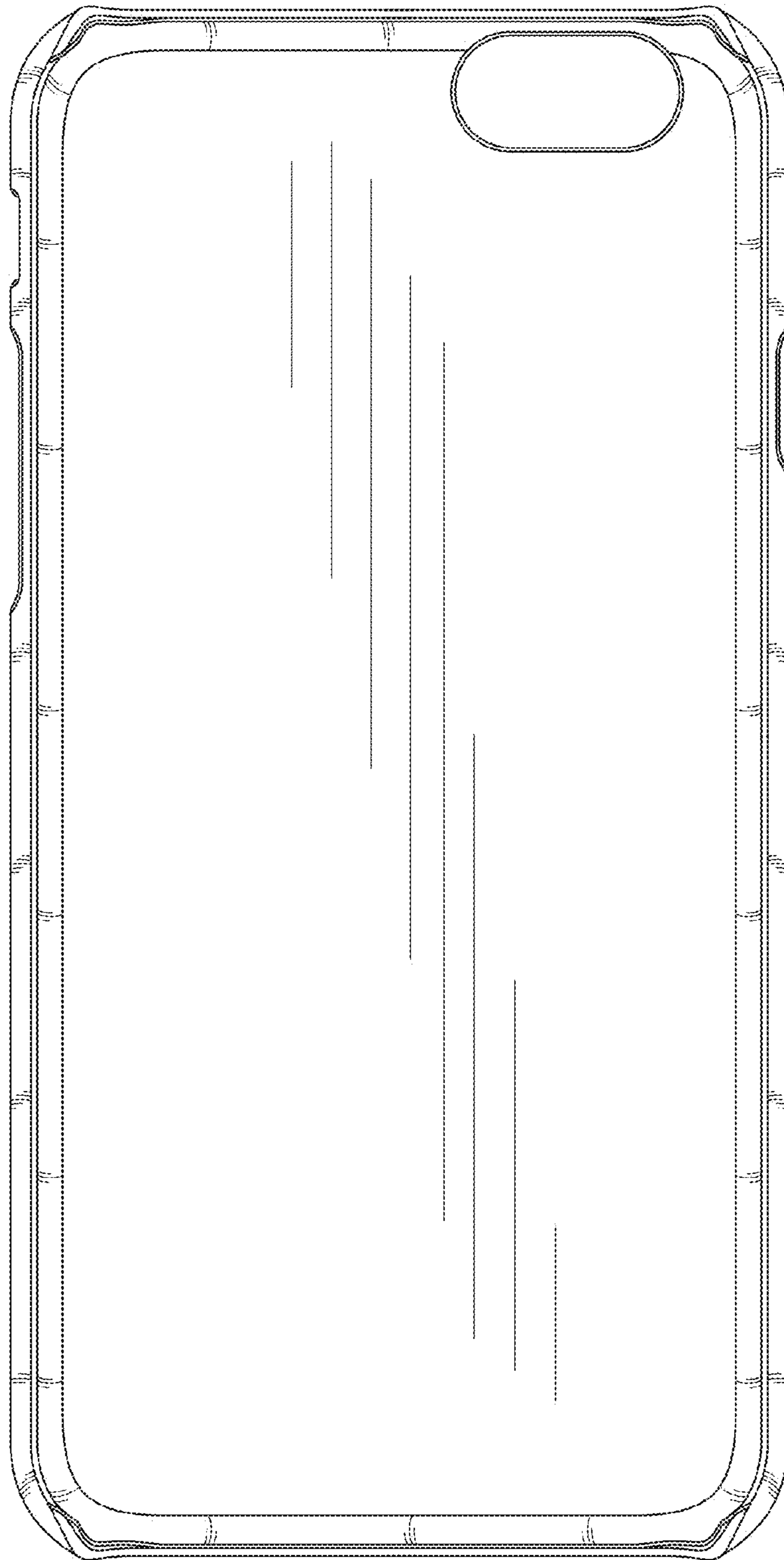


FIG. 4

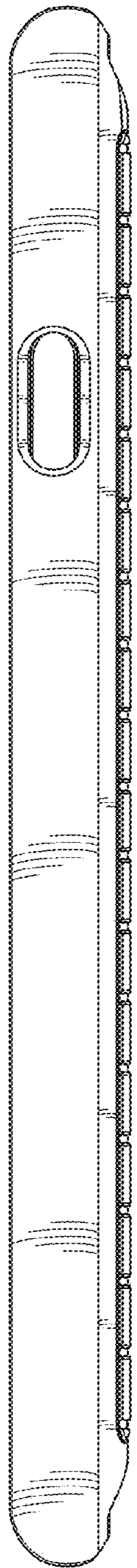


FIG. 5

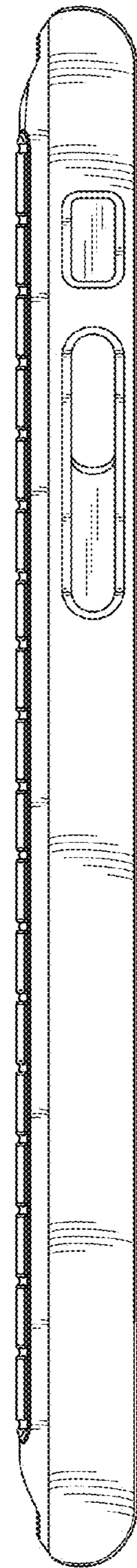


FIG. 6

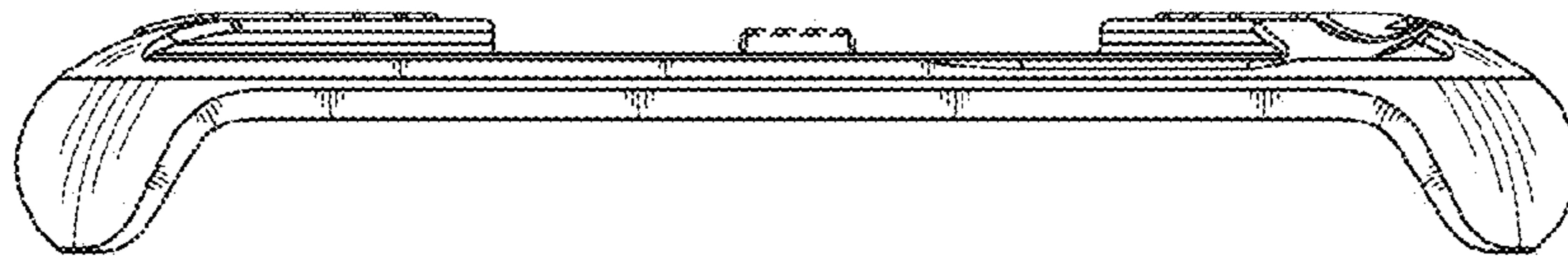


FIG. 7

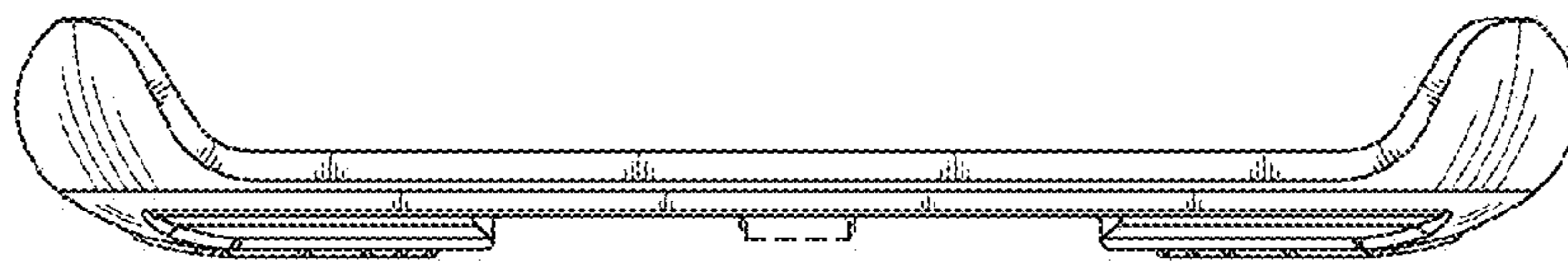


FIG. 8

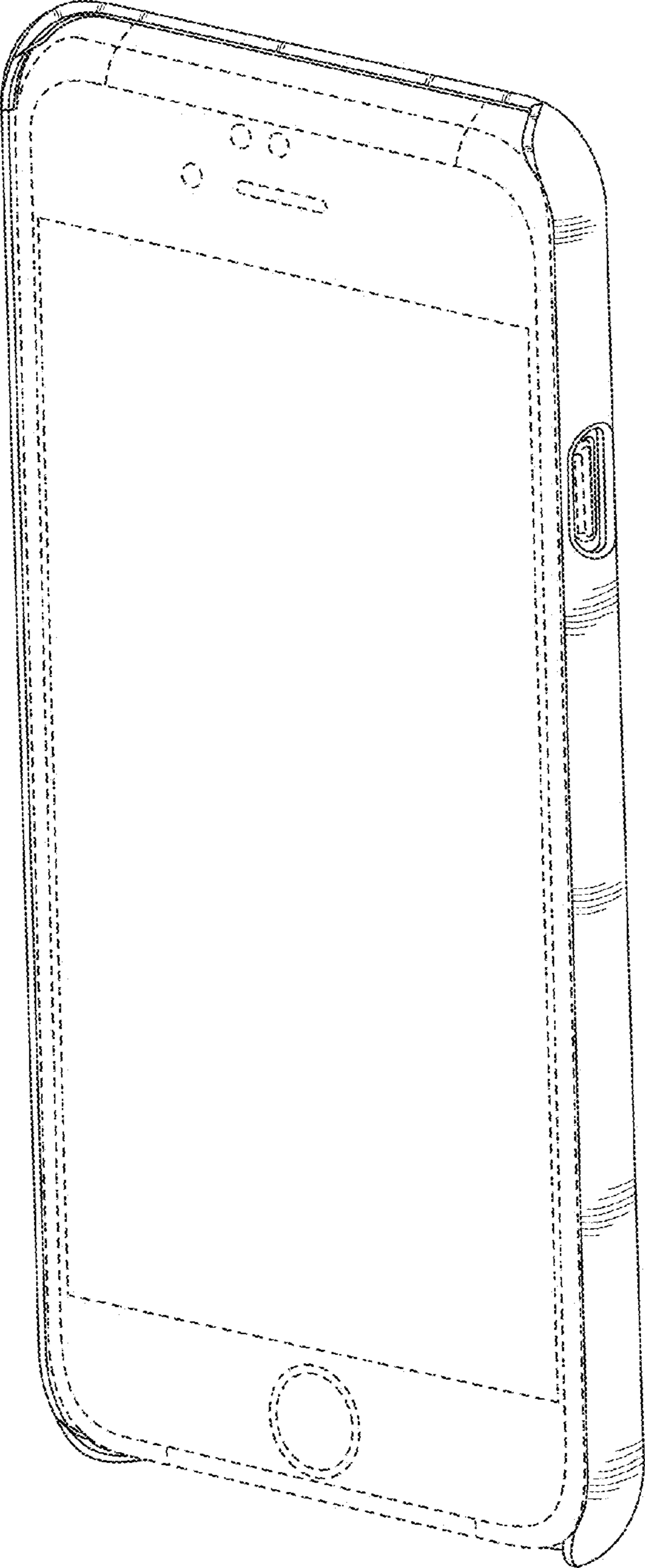


FIG. 9