



US00D761777S

(12) **United States Design Patent**
Lee et al.

(10) **Patent No.:** **US D761,777 S**
(45) **Date of Patent:** **** Jul. 19, 2016**

(54) **COVER FOR PORTABLE ELECTRONIC DEVICE**

(71) Applicant: **Samsung Electronics Co., Ltd.**,
Suwon-si (KR)

(72) Inventors: **Changwoo Lee**, Seoul (KR); **JooHo Kim**, Suwon-si (KR); **Jung Sung Chung**,
Seongnam-si (KR)

(73) Assignee: **Samsung Electronics Co., Ltd.**,
Suwon-si (KR)

(**) Term: **14 Years**

(21) Appl. No.: **29/507,308**

(22) Filed: **Oct. 27, 2014**

(30) **Foreign Application Priority Data**

Apr. 28, 2014 (KR) 30-2014-0021378

(51) **LOC (10) Cl.** **14-03**

(52) **U.S. Cl.**
USPC **D14/250**

(58) **Field of Classification Search**

USPC D14/238.1, 250, 440, 203.3–203.7, 217,
D14/240, 248, 251–253, 447, 496, 143, 189,
D14/203.2; D3/201, 218, 247, 269, 273,
D3/301, 303; D13/103, 107–108, 119
CPC A45C 1/06; A45C 11/00; A45C 13/02;
A45C 2011/002; A45F 2005/026; A45F
2200/0525; A45F 2200/0516; H04B 1/3888;
H01M 1/0283; H01M 1/0202

See application file for complete search history.

(56) **References Cited**

U.S. PATENT DOCUMENTS

D459,346 S * 6/2002 Powell D14/250

| | | | | |
|--------------|---------|------------|-------|---------|
| D485,834 S * | 1/2004 | Davetas | | D14/250 |
| D641,348 S * | 7/2011 | Kim | | D14/250 |
| D649,536 S * | 11/2011 | Richardson | | D14/250 |
| D652,829 S * | 1/2012 | Kim | | D14/250 |
| D657,354 S * | 4/2012 | Kim | | D14/250 |
| D685,802 S * | 7/2013 | Canizares | | D14/440 |
| D702,673 S * | 4/2014 | Murchison | | D14/250 |
| D705,783 S * | 5/2014 | Weng | | D14/440 |
| D711,363 S * | 8/2014 | Kim | | D14/250 |
| D712,393 S * | 9/2014 | Kim | | D14/250 |
| D714,550 S * | 10/2014 | Yoo | | D3/269 |
| D716,286 S * | 10/2014 | Ahn | | D14/250 |
| D723,020 S * | 2/2015 | Kim | | D14/250 |
| D723,038 S * | 2/2015 | Kim | | D14/440 |
| D726,173 S * | 4/2015 | Kim | | D14/250 |
| D749,067 S * | 2/2016 | Choe | | D14/250 |

(Continued)

Primary Examiner — Carla Jobe Wright

(74) *Attorney, Agent, or Firm* — NSIP Law

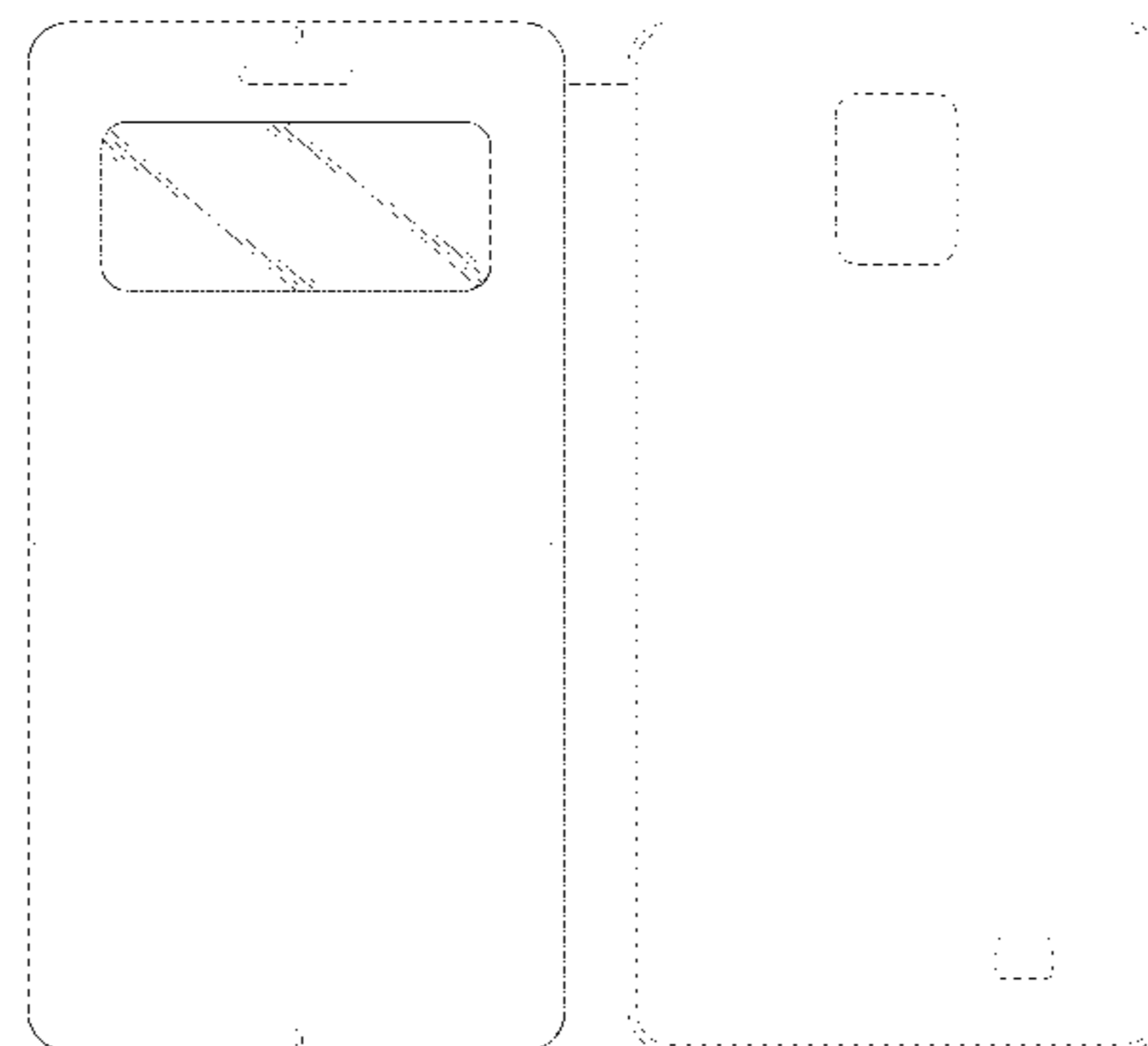
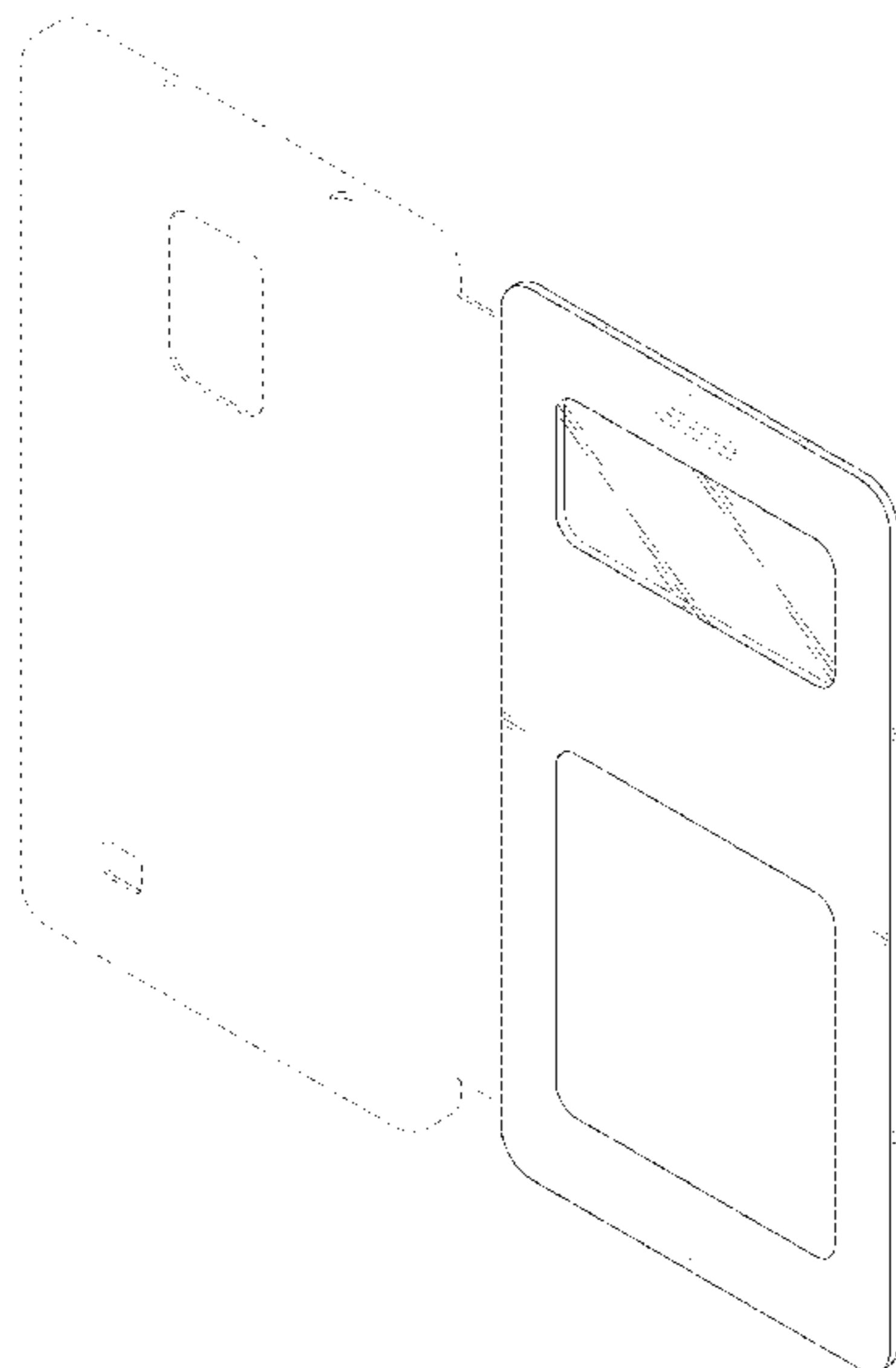
(57) **CLAIM**

We claim the ornamental design for a cover for portable electronic device, as shown and described.

DESCRIPTION

FIG. 1 is a front perspective view of a cover for portable electronic device showing our new design;
FIG. 2 is a front view thereof;
FIG. 3 is a rear view thereof;
FIG. 4 is a left-side view thereof;
FIG. 5 is a right-side view thereof;
FIG. 6 is a top view thereof;
FIG. 7 is a bottom view thereof; and,
FIG. 8 is a front perspective view of a cover for portable electronic device shown in a closed position.
The broken lines in the figures represent unclaimed portions of the cover for portable electronic device and form no part of the claimed design.

1 Claim, 8 Drawing Sheets



US D761,777 S

Page 2

(56)

References Cited

U.S. PATENT DOCUMENTS

| | | | | | | |
|--------------|-----|---------|------------|-------|---------------|------------|
| 2010/0078343 | A1* | 4/2010 | Hoellwarth | | B29C 45/14639 | 206/320 |
| 2014/0030474 | A1* | 1/2014 | Hsu | | A45C 11/00 | 428/99 |
| 2014/0166505 | A1* | 6/2014 | Yu | | A45C 11/00 | 206/37 |
| 2014/0185206 | A1* | 7/2014 | Kim | | H05K 5/0017 | 361/679.01 |
| 2014/0268517 | A1* | 9/2014 | Moon | | H05K 7/00 | 361/679.01 |
| 2015/0024812 | A1* | 1/2015 | Xie | | H04B 1/3888 | 455/575.8 |
| 2015/0141095 | A1* | 5/2015 | Kim | | H04M 1/0202 | 455/575.8 |
| 2015/0144669 | A1* | 5/2015 | Chang | | A45C 11/00 | 224/230 |
| 2015/0311940 | A1* | 10/2015 | Lee | | H04B 1/3888 | 455/575.8 |

* cited by examiner

FIG. 1

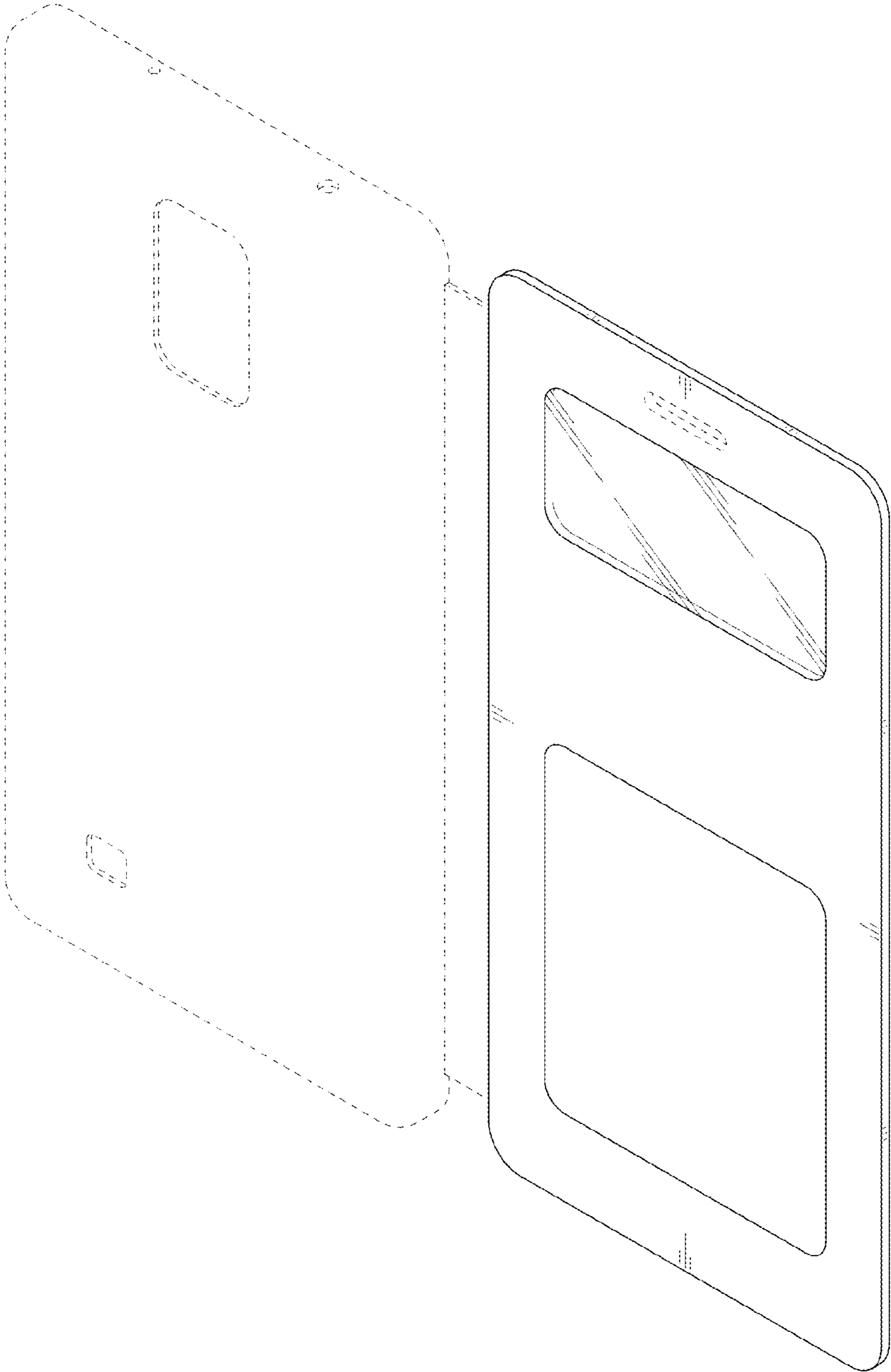


FIG. 2

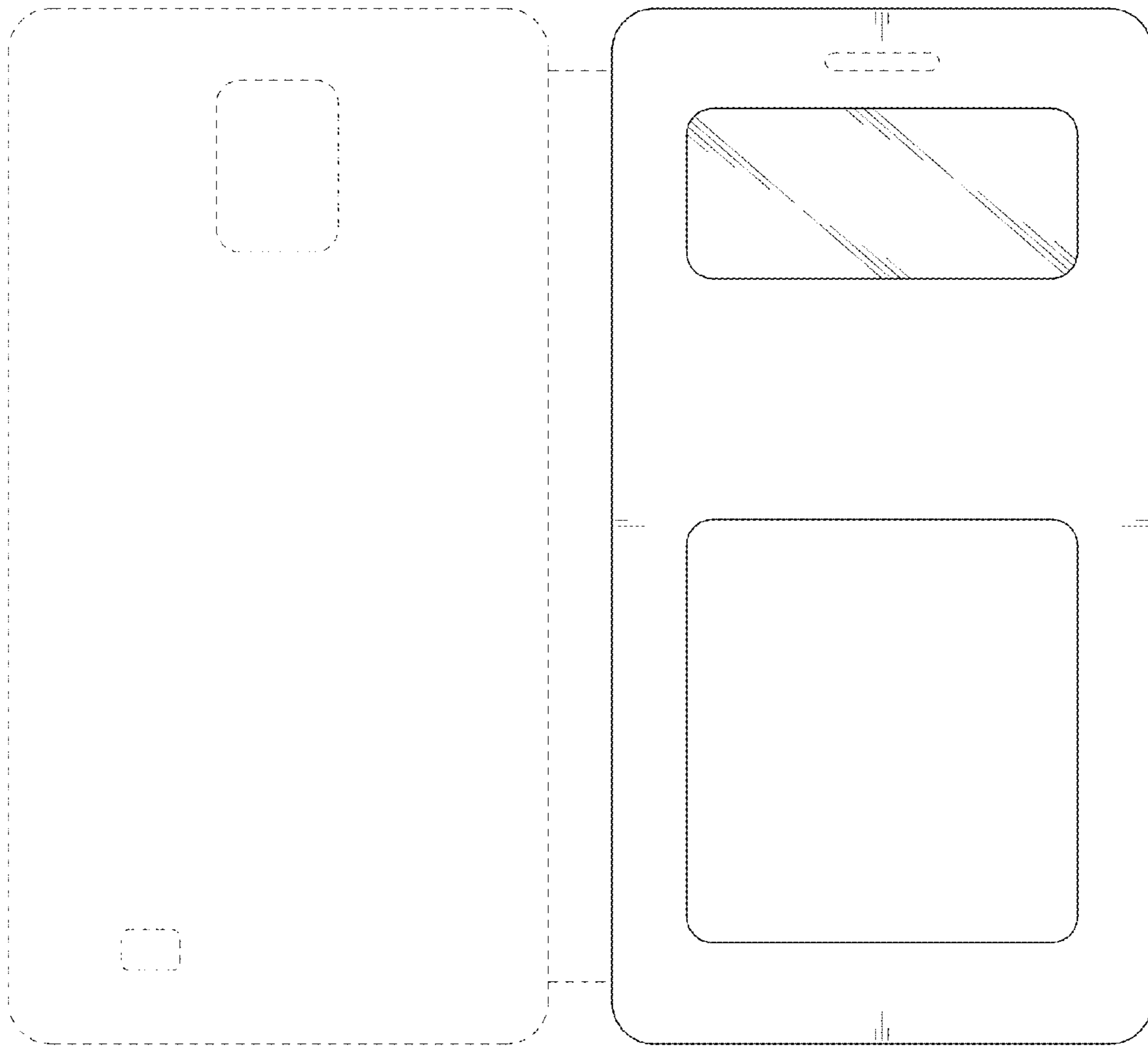


FIG. 3

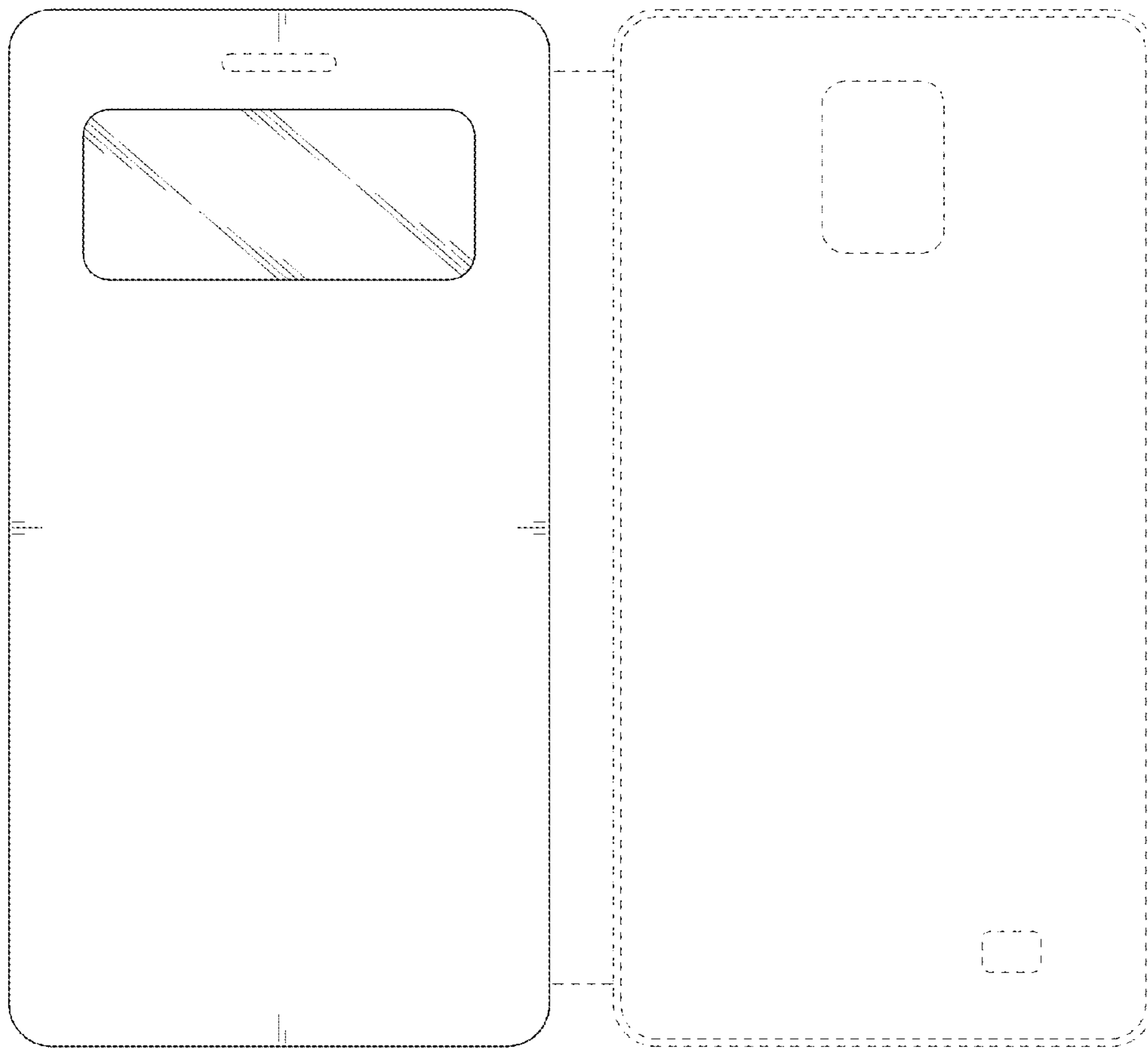


FIG. 4

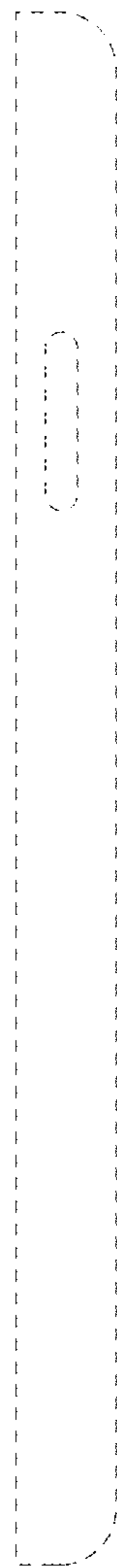


FIG. 5

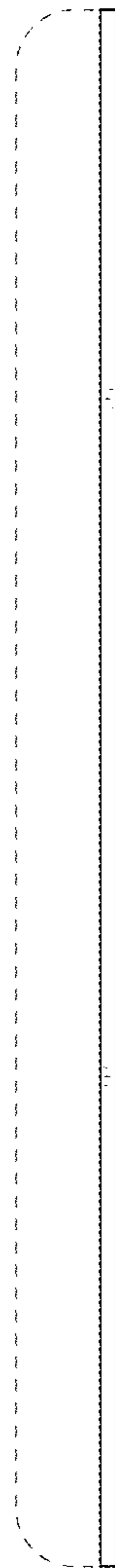


FIG. 6

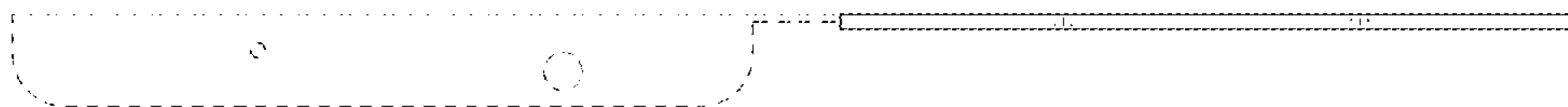


FIG. 7

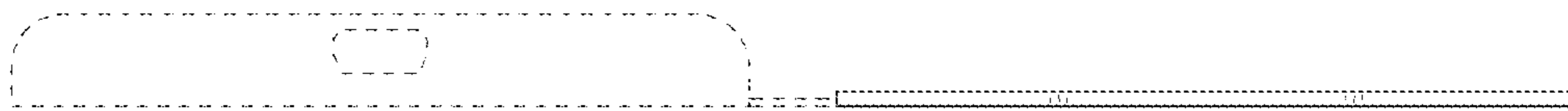


FIG. 8

