

US00D761770S

(12) **United States Design Patent**  
**Kanou**

(10) **Patent No.:** **US D761,770 S**  
(45) **Date of Patent:** **\*\* Jul. 19, 2016**

(54) **EARPHONE**

(71) Applicant: **JVC KENWOOD Corporation**,  
Yokohama-shi, Kanagawa (JP)

(72) Inventor: **Kenichi Kanou**, Yokohama (JP)

(73) Assignee: **JVC KENWOOD Corporation**,  
Yokohama-Shi, Kanagawa (JP)

(\*\*) Term: **14 Years**

(21) Appl. No.: **29/521,290**

(22) Filed: **Mar. 23, 2015**

(30) **Foreign Application Priority Data**

Nov. 28, 2014 (JP) ..... 2014-026625

(51) **LOC (10) Cl.** ..... **14-01**

(52) **U.S. Cl.**

USPC ..... **D14/223**; D14/206

(58) **Field of Classification Search**

USPC ..... D14/223, 206, 205; D24/174; 181/129,  
181/130, 135; 379/430, 431; 381/380, 381,  
381/370, 371, 374, 379, 382, 322, 328,  
381/71.6; 455/90.3, 575.1

CPC ..... H04R 25/00; H04R 25/02

See application file for complete search history.

(56) **References Cited**

**U.S. PATENT DOCUMENTS**

- 2,474,135 A \* 6/1949 White ..... H04R 25/656  
381/330
- D179,150 S \* 11/1956 Norris ..... D14/192
- 4,917,504 A \* 4/1990 Scott ..... H04M 1/05  
381/330
- 5,210,792 A \* 5/1993 Kajihara ..... H04M 1/05  
379/430
- 5,412,736 A \* 5/1995 Keliiliki ..... H04R 1/105  
381/330
- D375,959 S \* 11/1996 Davis ..... D14/206
- 5,625,171 A \* 4/1997 Marshall ..... H04R 1/1058  
181/130
- D383,757 S \* 9/1997 Dobrusskin ..... D14/223
- D462,943 S \* 9/2002 Lucaci ..... D14/206
- D469,081 S \* 1/2003 Perszyk ..... D14/205
- D470,129 S \* 2/2003 Hlas ..... D14/205

- D471,537 S \* 3/2003 Ham ..... D14/223
- D472,890 S \* 4/2003 Suzuki ..... D14/223
- D490,398 S \* 5/2004 Gwee ..... D14/205
- D501,196 S \* 1/2005 Dyer ..... D14/205
- D504,673 S \* 5/2005 Dyer ..... D14/205
- D506,994 S \* 7/2005 Olson ..... D14/205
- D508,911 S \* 8/2005 Sanders ..... D14/223
- D510,085 S \* 9/2005 Suzuki ..... D14/223
- D510,575 S \* 10/2005 Leong ..... D14/205
- D511,156 S \* 11/2005 Eroma ..... D14/205
- D512,984 S \* 12/2005 Ham ..... D14/205
- D543,968 S \* 6/2007 Wong ..... D14/205
- 7,231,056 B2 \* 6/2007 Chen ..... H04R 1/1066  
381/374
- D567,217 S \* 4/2008 Kamo ..... D14/205
- 7,570,777 B1 \* 8/2009 Taenzer ..... H04R 25/00  
381/380
- D601,126 S \* 9/2009 Christopher ..... D14/206

(Continued)

*Primary Examiner* — Paula Greene

(74) *Attorney, Agent, or Firm* — Nath Goldberg & Meyer;  
Jerald L. Meyer

(57) **CLAIM**

The ornamental design for an earphone, as shown and described.

**DESCRIPTION**

FIG. 1 is a front perspective view of an earphone showing my new design;

FIG. 2 is a front view thereof;

FIG. 3 is a rear view thereof;

FIG. 4 is a top plan view thereof;

FIG. 5 is a bottom plan view thereof;

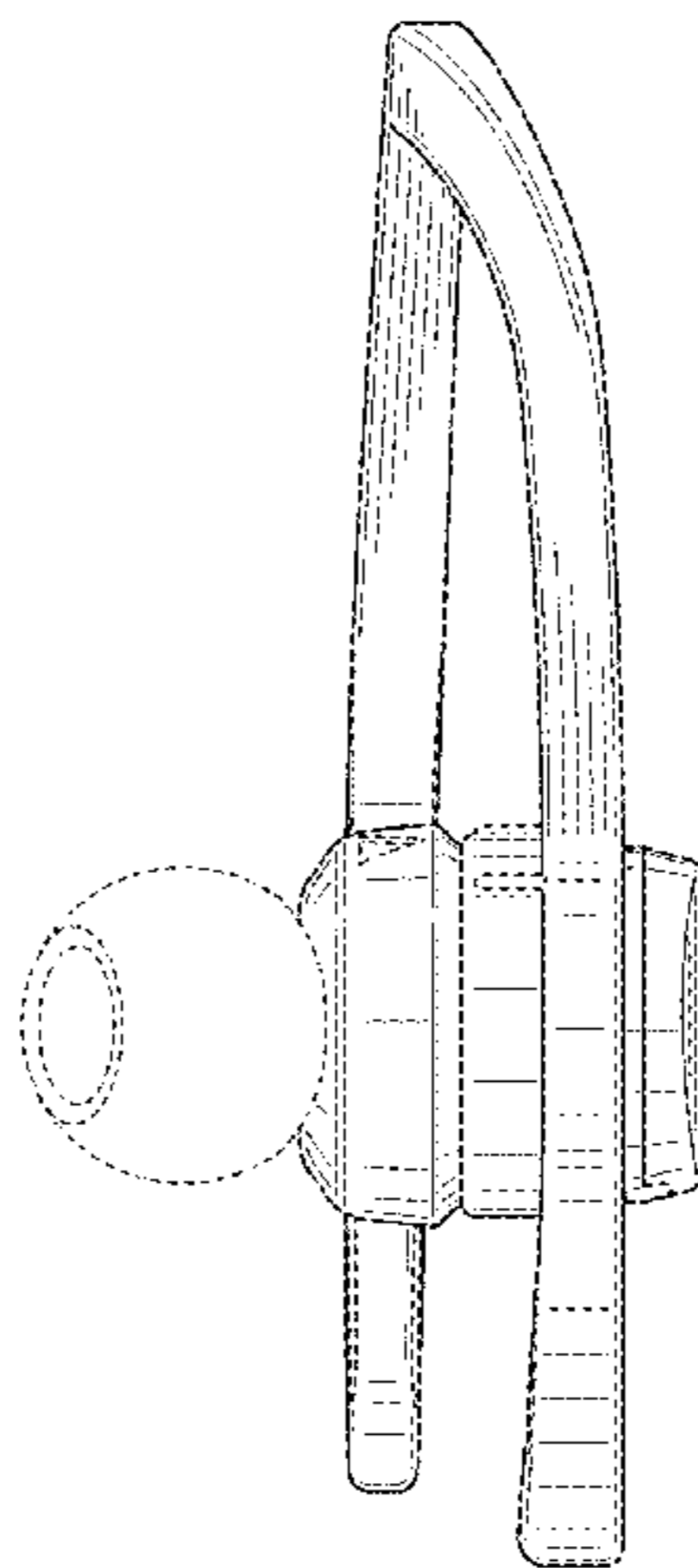
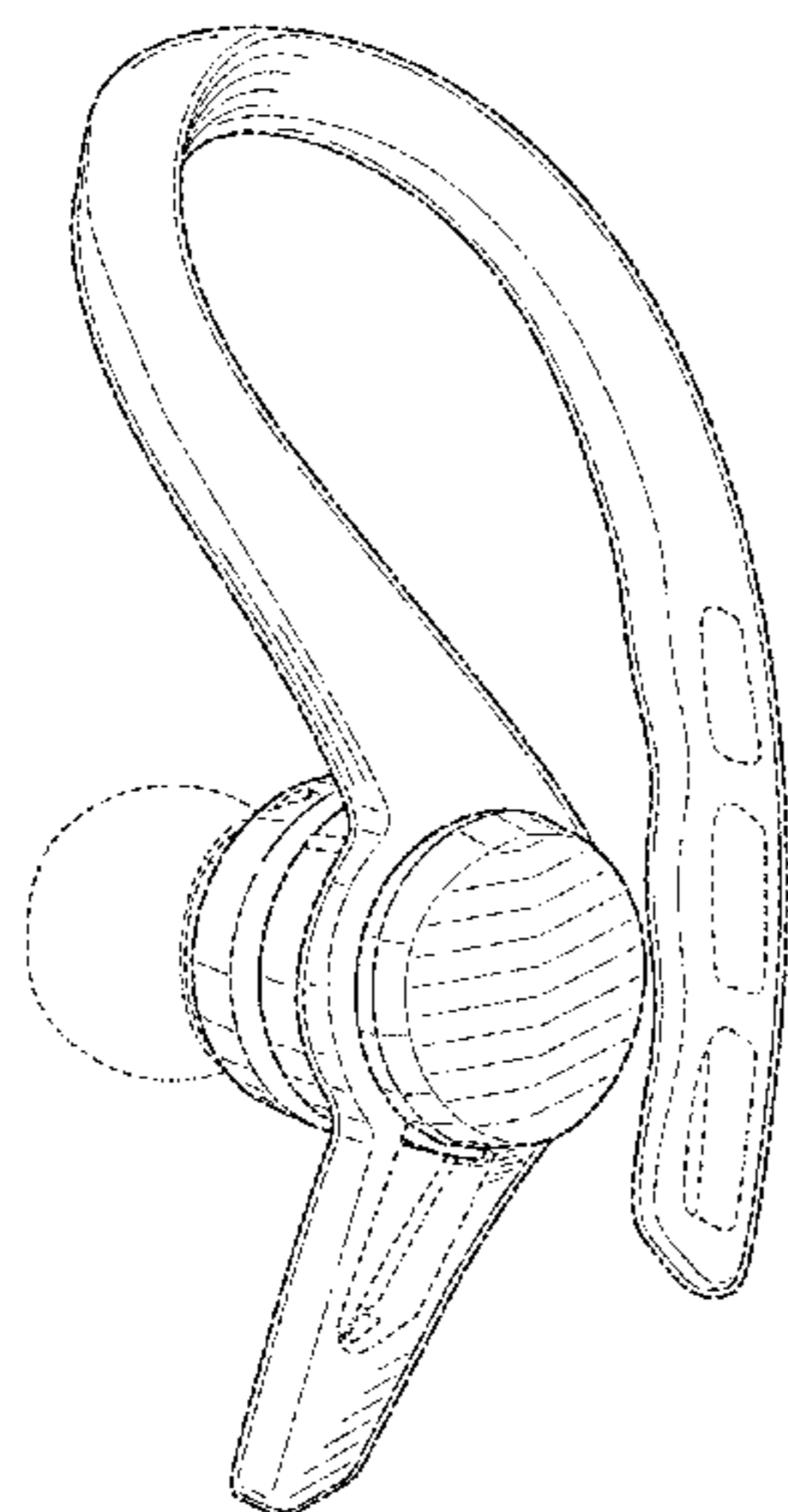
FIG. 6 is a right side view thereof;

FIG. 7 is a left side view thereof; and,

FIG. 8 is a rear perspective view thereof in a state of use.

The portions of the drawings shown in broken lines are for illustrative purposes only and form no part of the claimed design. The dashed-dotted lines represent the boundary between claimed and unclaimed design and form no part of the claimed design.

**1 Claim, 8 Drawing Sheets**



# US D761,770 S

Page 2

---

(56)

## References Cited

### U.S. PATENT DOCUMENTS

D603,847 S \* 11/2009 Chung ..... D14/223  
7,648,005 B2 \* 1/2010 Leong ..... A61F 11/08  
128/867  
7,708,110 B2 \* 5/2010 Leong ..... A61F 11/08  
128/867  
D617,778 S \* 6/2010 Birger ..... D14/223

D624,529 S \* 9/2010 Huang ..... D14/206  
D635,960 S \* 4/2011 Gondo ..... D14/223  
D636,763 S \* 4/2011 Walter ..... D14/223  
D639,787 S \* 6/2011 Quek ..... D14/223  
D645,454 S \* 9/2011 Quek ..... D14/223  
8,265,328 B2 \* 9/2012 Milde ..... H04R 1/1066  
381/370  
D740,255 S \* 10/2015 Samrelius ..... D14/206

\* cited by examiner

FIG. 1

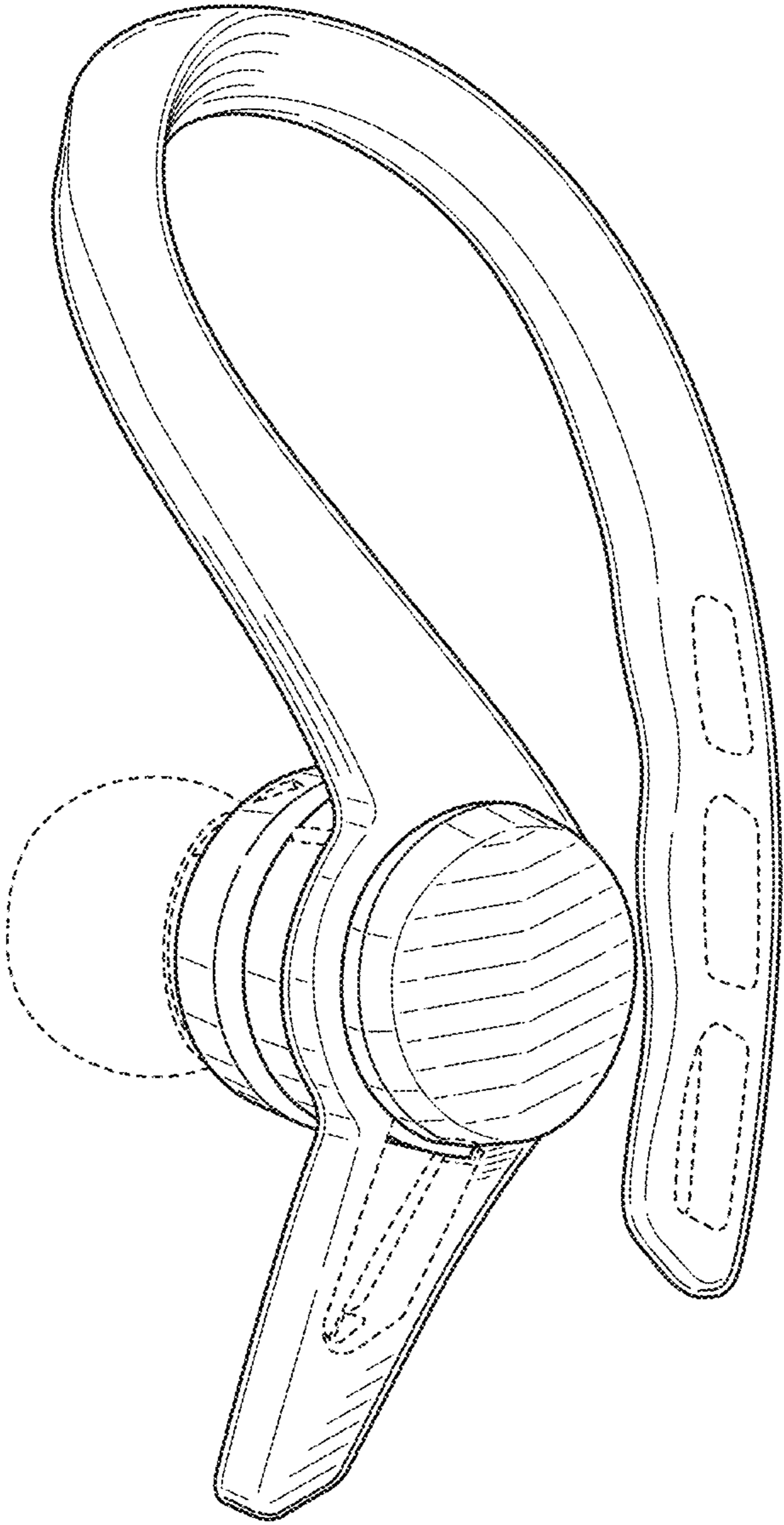


FIG. 2

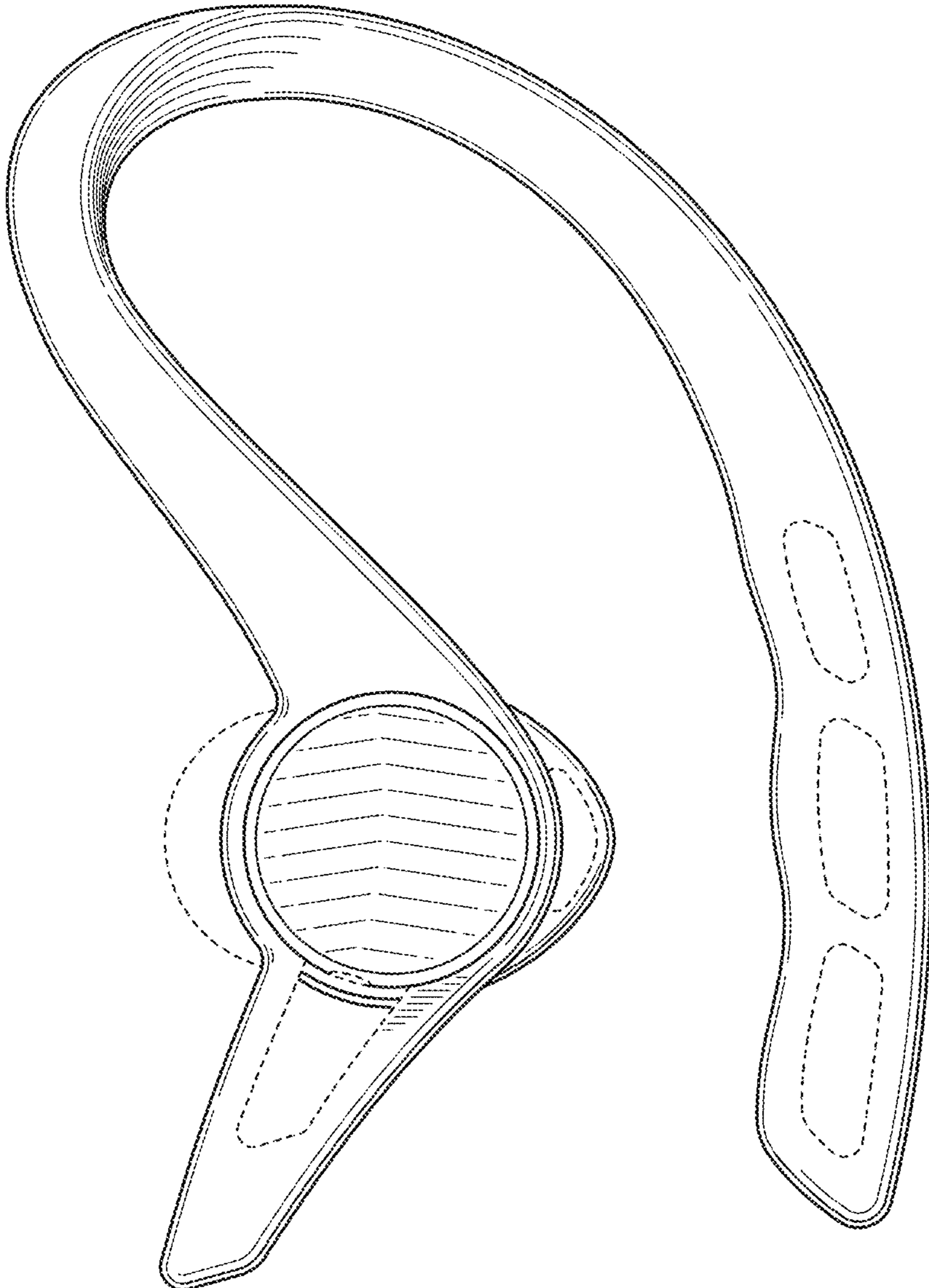
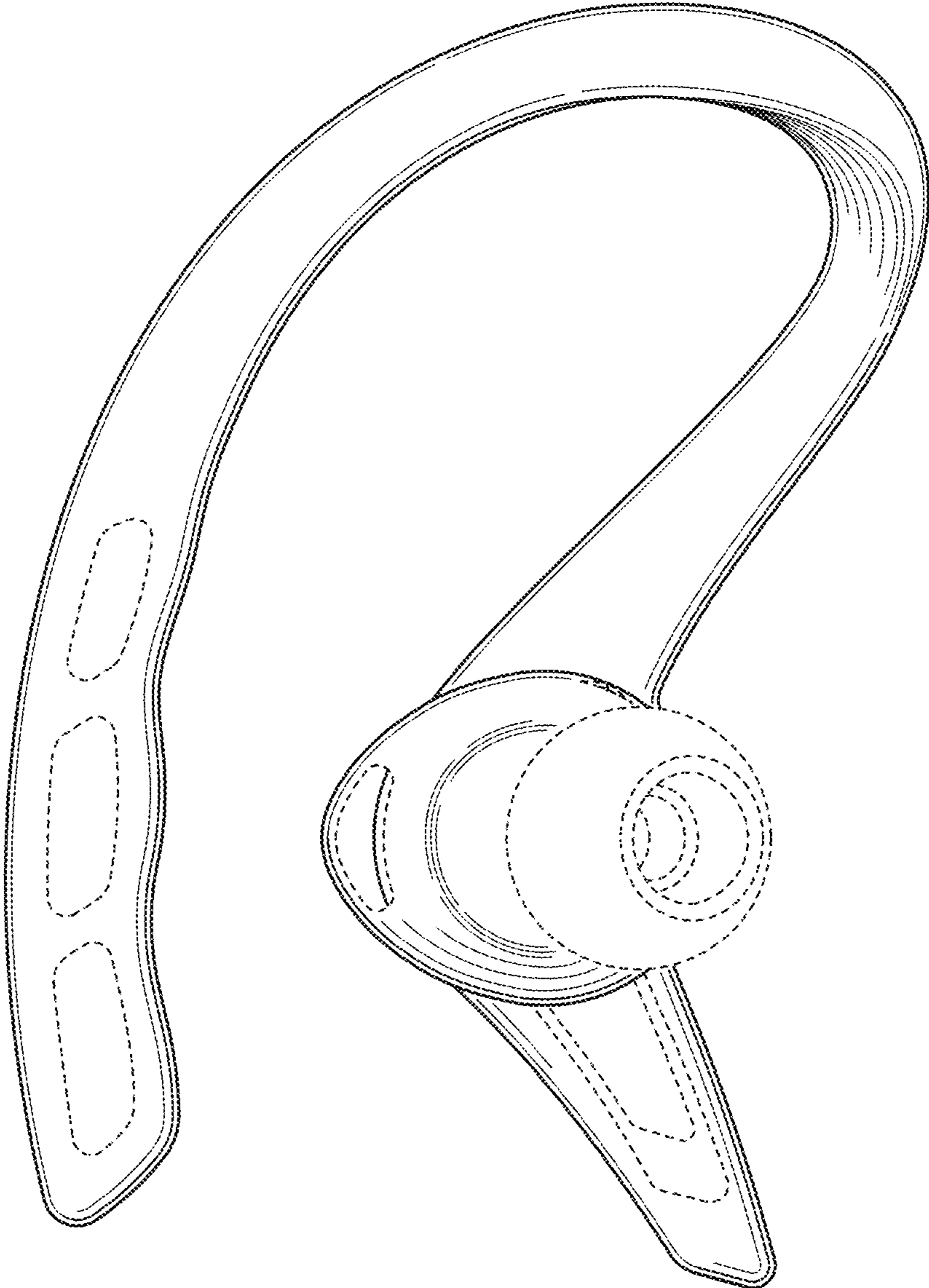
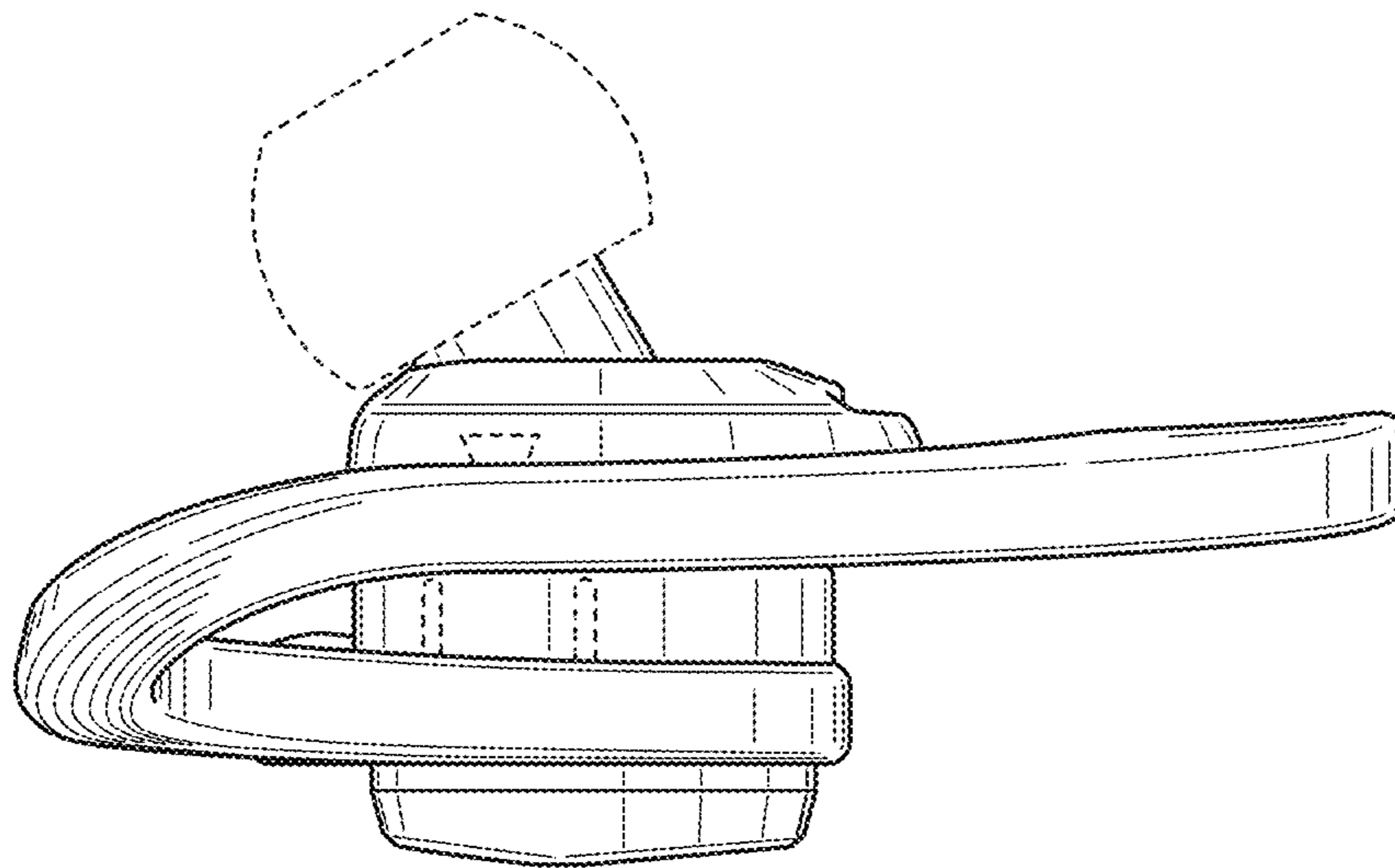


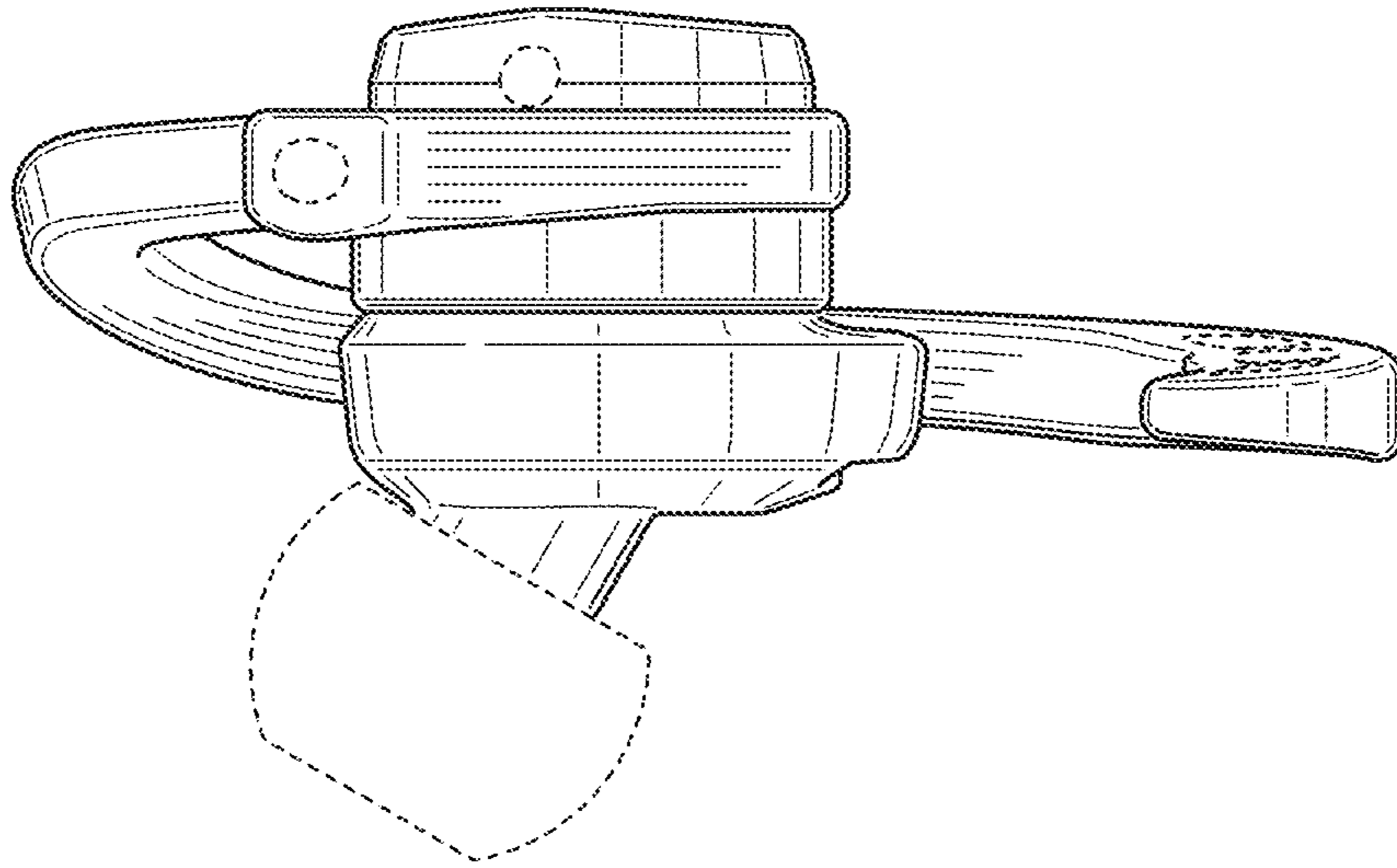
FIG. 3



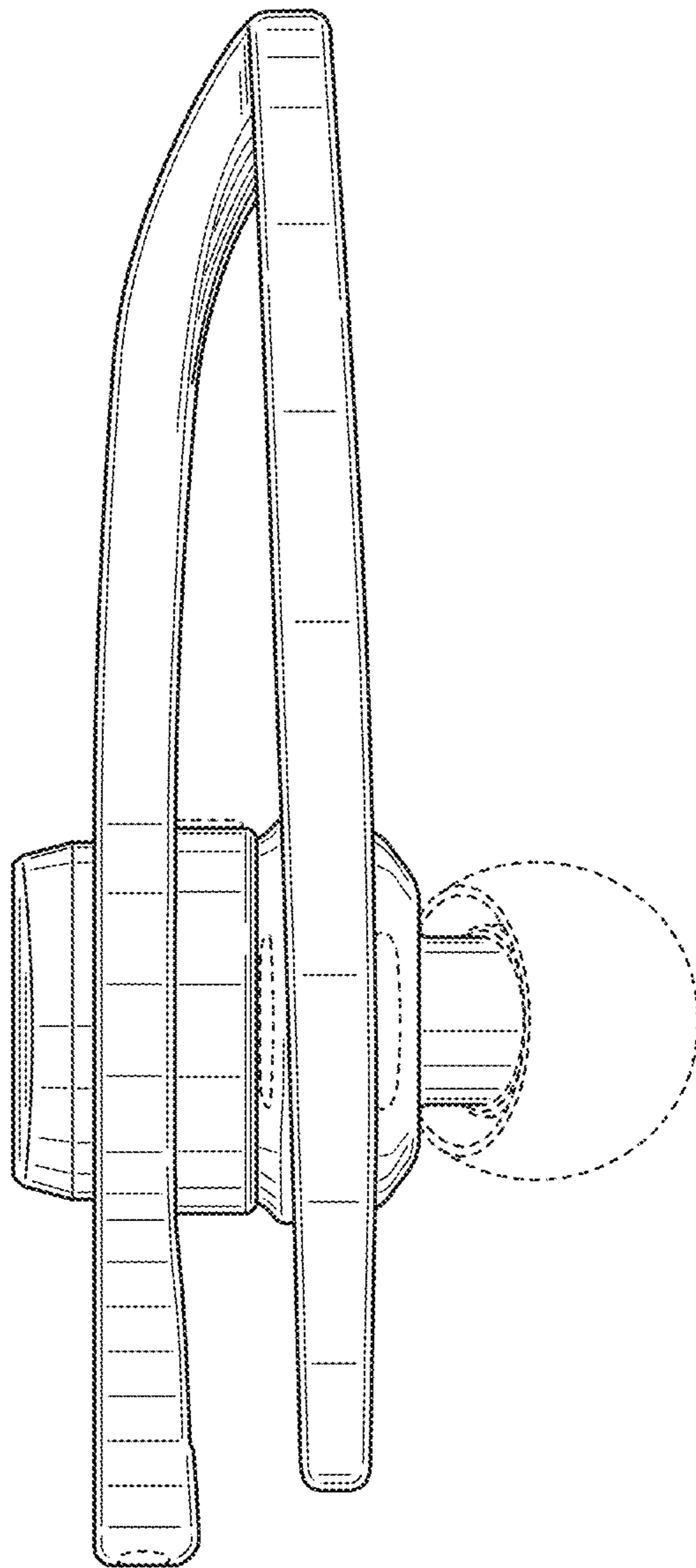
*FIG. 4*



*FIG. 5*



*FIG. 6*





*FIG. 7*

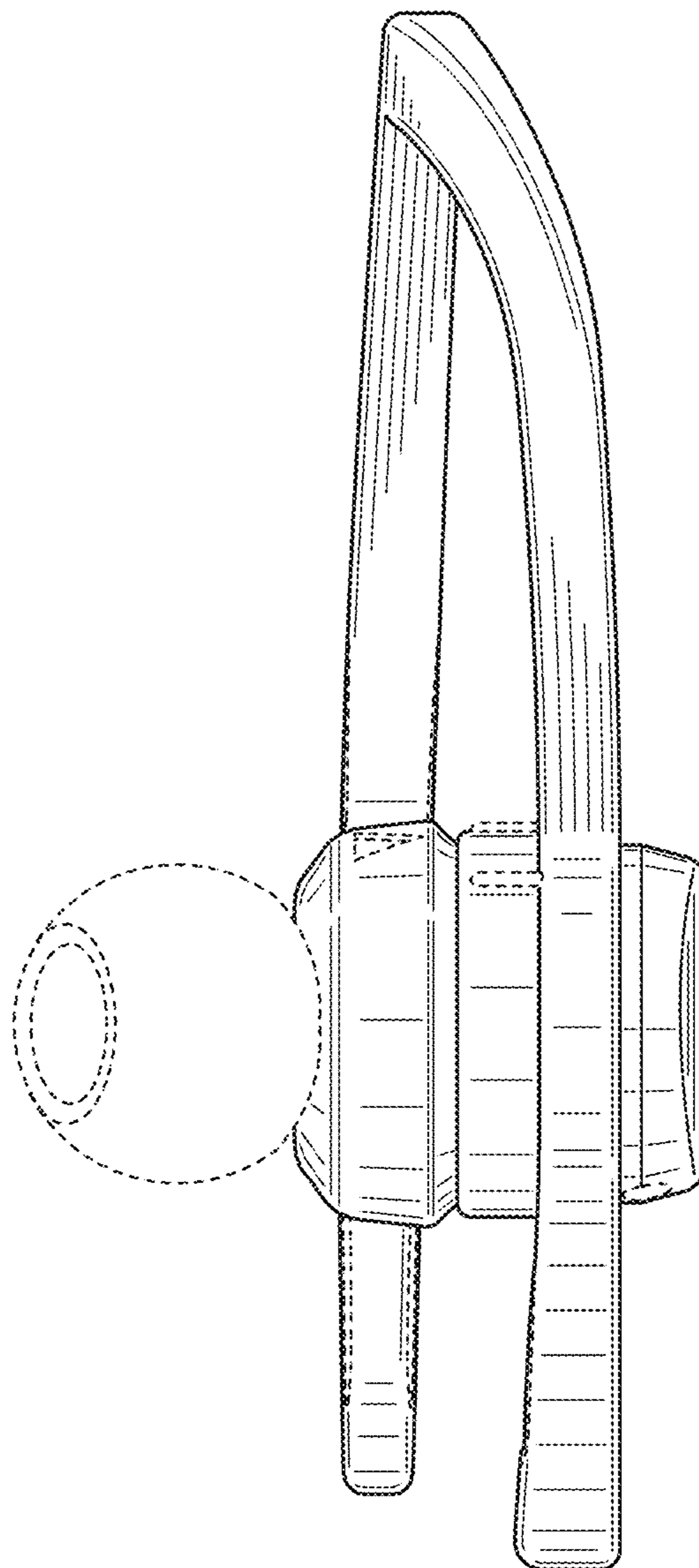


FIG. 8

