

US00D761766S

(12) **United States Design Patent**
Kim et al.

(10) **Patent No.:** **US D761,766 S**
(45) **Date of Patent:** **** Jul. 19, 2016**

(54) **REMOTE CONTROLLER**
(71) Applicant: **Samsung Electronics Co., Ltd.**,
Suwon-si, Gyeonggi-do (KR)
(72) Inventors: **Solee Kim**, Seoul (KR); **Jonghyun Shin**,
Seoul (KR); **Jihoon Kim**, Seoul (KR);
Sungwoo Sul, Yongin-si (KR); **Jinho**
Yim, Suwon-si (KR)
(73) Assignee: **SAMSUNG ELECTRONICS CO.,**
LTD., Suwon-Si, Gyeonggi-Do (KR)
(**) Term: **14 Years**
(21) Appl. No.: **29/524,921**
(22) Filed: **Apr. 24, 2015**
(30) **Foreign Application Priority Data**

Nov. 28, 2014 (KR) 30-2014-0057856

(51) **LOC (10) Cl.** **14-03**
(52) **U.S. Cl.**
USPC **D14/218**

(58) **Field of Classification Search**
USPC D14/137, 174, 217-218, 240, 247,
D14/388-390, 396, 511, 485, 489, 490, 491,
D14/492; D21/516; D13/162-164, 168,
D13/174; 715/738; 434/350; 600/323;
348/211.99, 14.05, 114, 734;
341/175-176; 455/575.1
CPC G08C 23/04; G08C 19/12; H04N 5/44;
H04L 17/02
See application file for complete search history.

(56) **References Cited**

U.S. PATENT DOCUMENTS

D457,520 S * 5/2002 Laverick D14/247
D515,072 S * 2/2006 Lee D14/218
D557,666 S 12/2007 Schroter
D584,297 S * 1/2009 Furuno D14/247
D594,450 S * 6/2009 Furuno D14/247

D626,531 S * 11/2010 Farmer D14/218
D630,189 S * 1/2011 Daniels D14/218
D645,848 S * 9/2011 Arnholt D14/218
D654,055 S * 2/2012 Won D14/218
D664,945 S * 8/2012 Morris D14/218
D664,946 S * 8/2012 Morris D14/218
D665,382 S * 8/2012 Kim D14/218
D670,679 S * 11/2012 Choi D14/218
D673,934 S * 1/2013 Shin D14/218
D676,865 S * 2/2013 Phelan D14/487
D677,690 S * 3/2013 Phelan D14/487
D700,169 S * 2/2014 Peh D14/218
D703,190 S * 4/2014 Zaslavsky D14/218
D708,589 S * 7/2014 Kosuge D13/168
D714,762 S * 10/2014 O'Neil D14/218
D715,835 S * 10/2014 Montgomery D14/491
D738,883 S * 9/2015 Pang D14/218
D738,913 S * 9/2015 Cabrera-Cordon D14/491

FOREIGN PATENT DOCUMENTS

EM 000136817-0012 1/2004
KR 30-0623422 11/2011

* cited by examiner

Primary Examiner — Ralf Seifert

(74) *Attorney, Agent, or Firm* — Ladas & Parry LLP

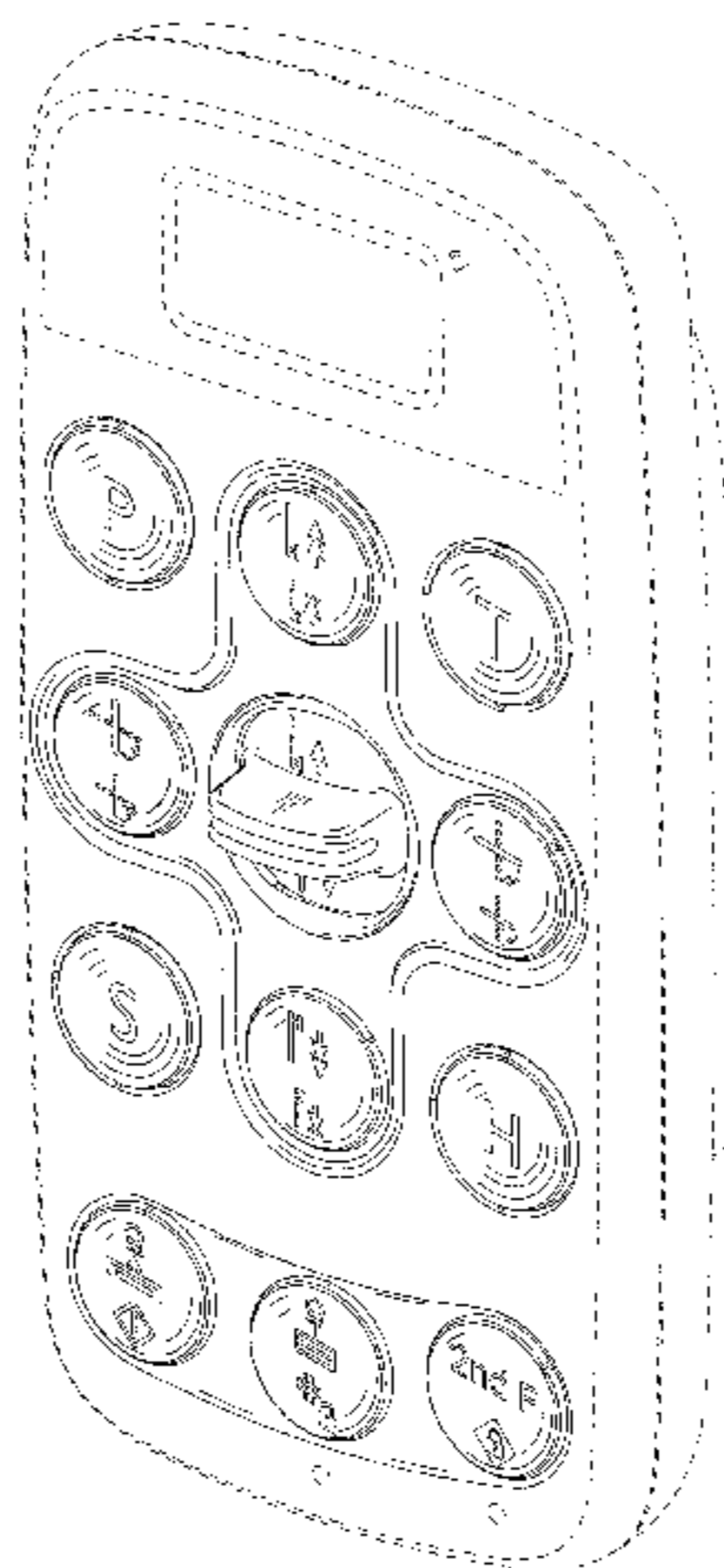
(57) **CLAIM**

We claim the ornamental design for the remote controller, as shown and described.

DESCRIPTION

FIG. 1 is the front perspective view of the remote controller showing our new design;
FIG. 2 is the front view thereof;
FIG. 3 is the rear view thereof;
FIG. 4 is the left-side view thereof;
FIG. 5 is the right-side view thereof;
FIG. 6 is the top plan view thereof; and,
FIG. 7 is the bottom plan view thereof.
The broken lines in the drawing show unclaimed environment only and form no part of the claimed design.

1 Claim, 7 Drawing Sheets



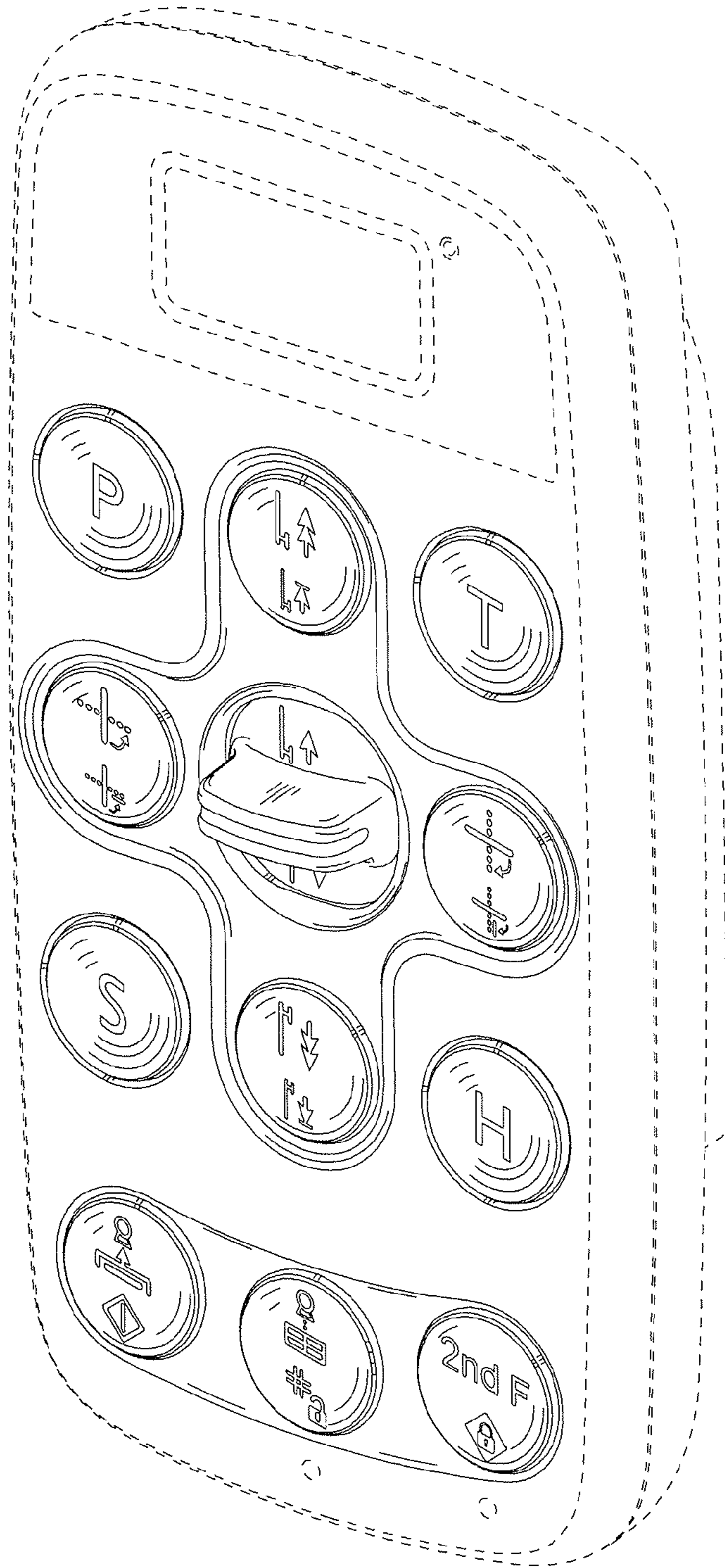


FIG. 1

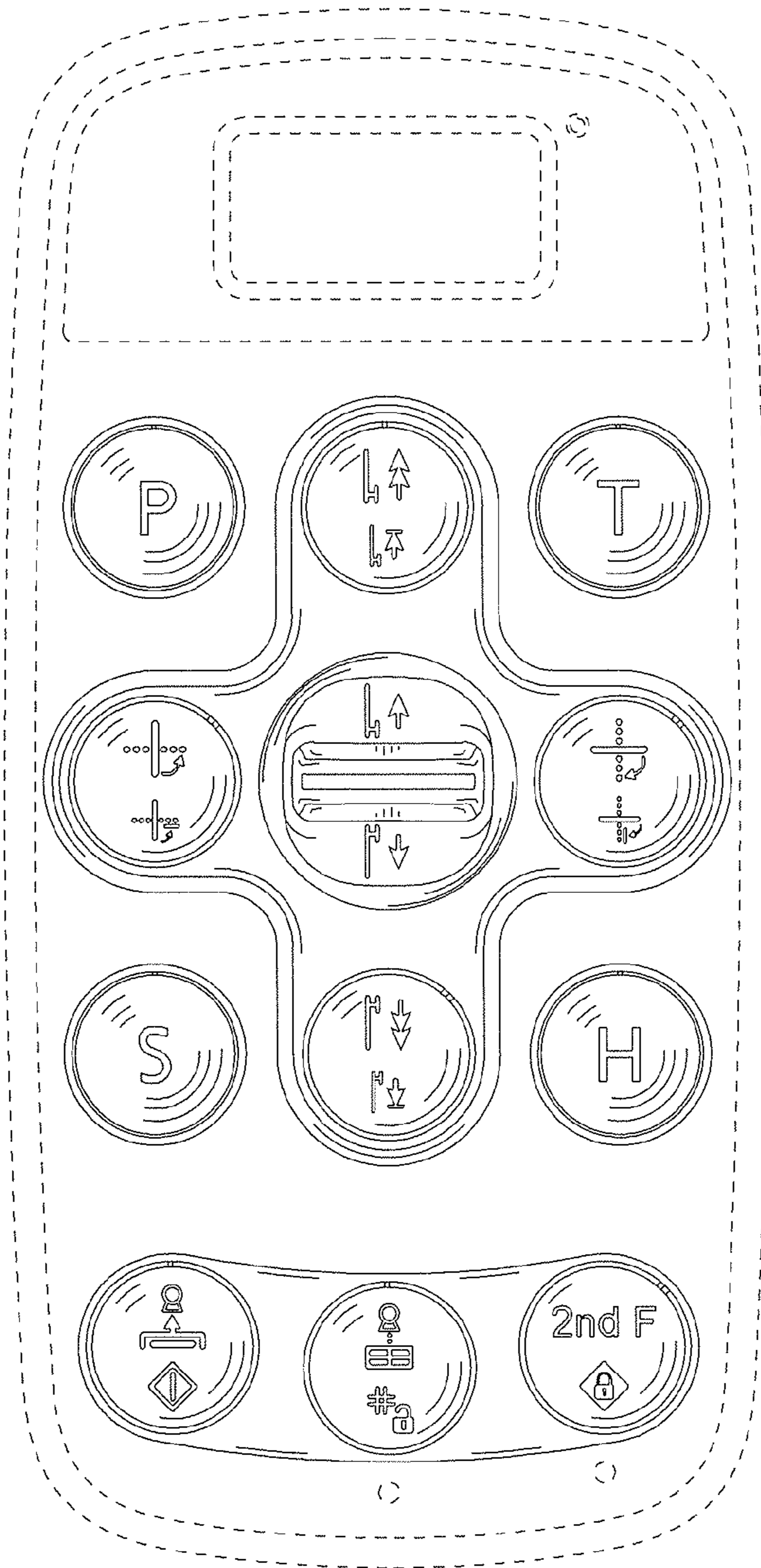


FIG. 2

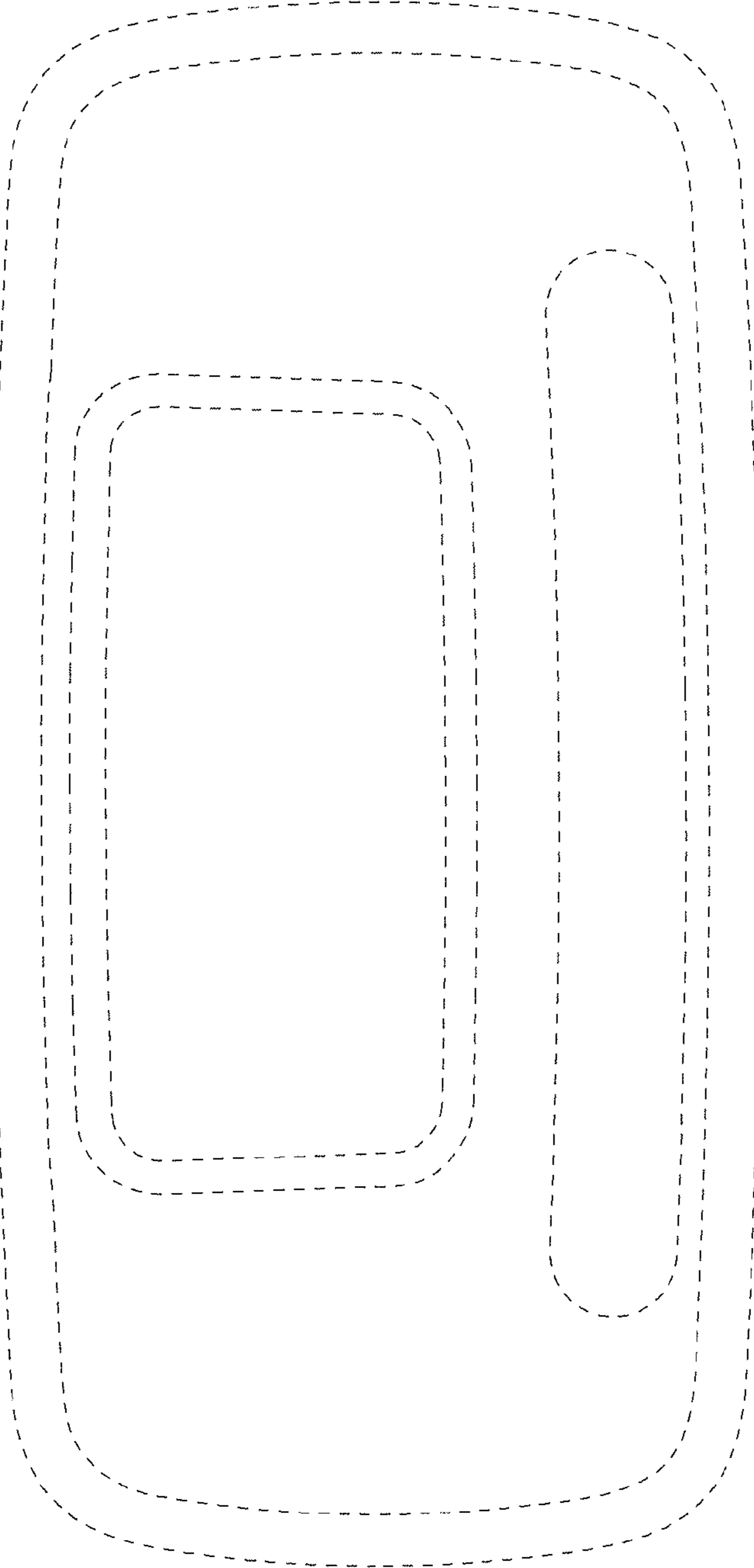


FIG. 3

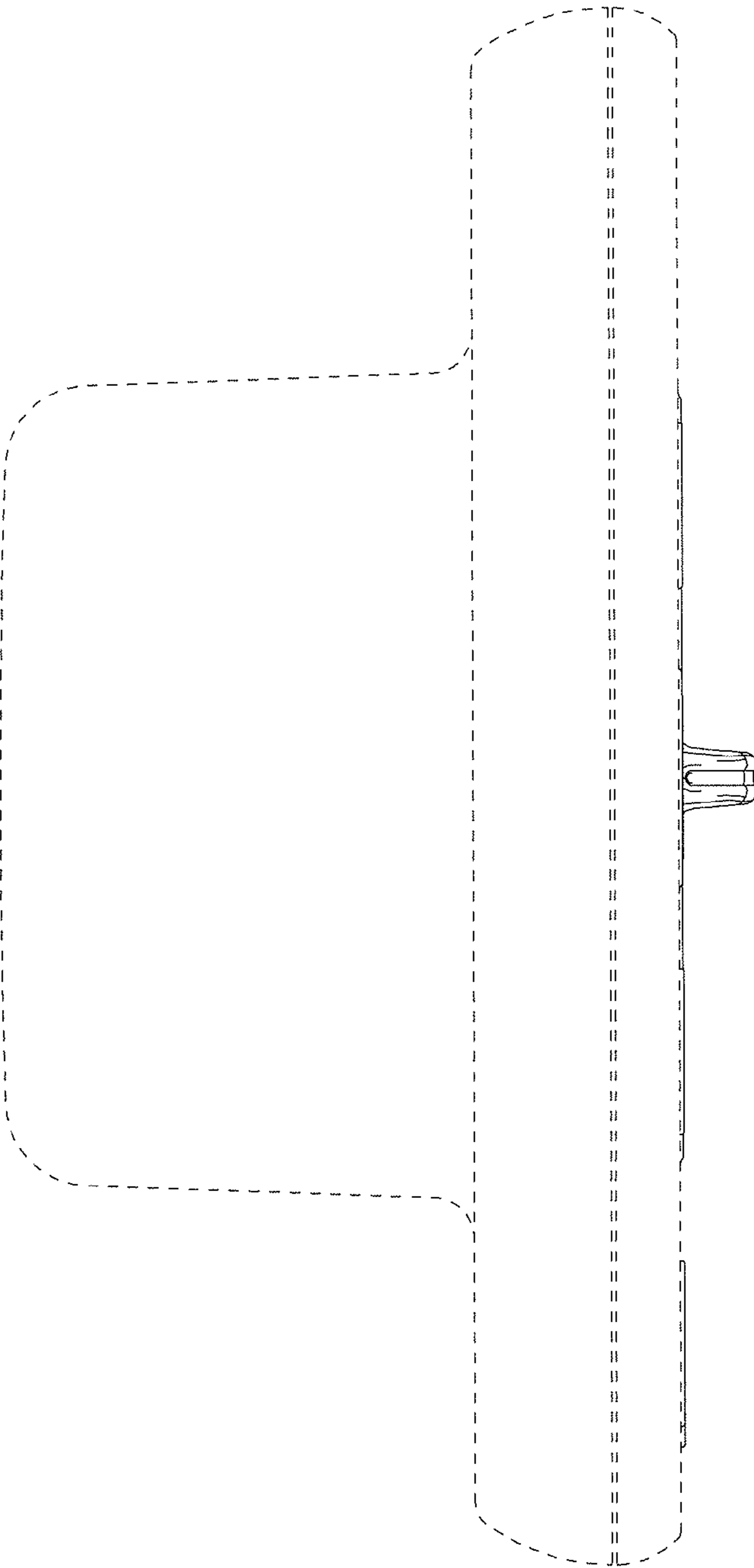


FIG. 4

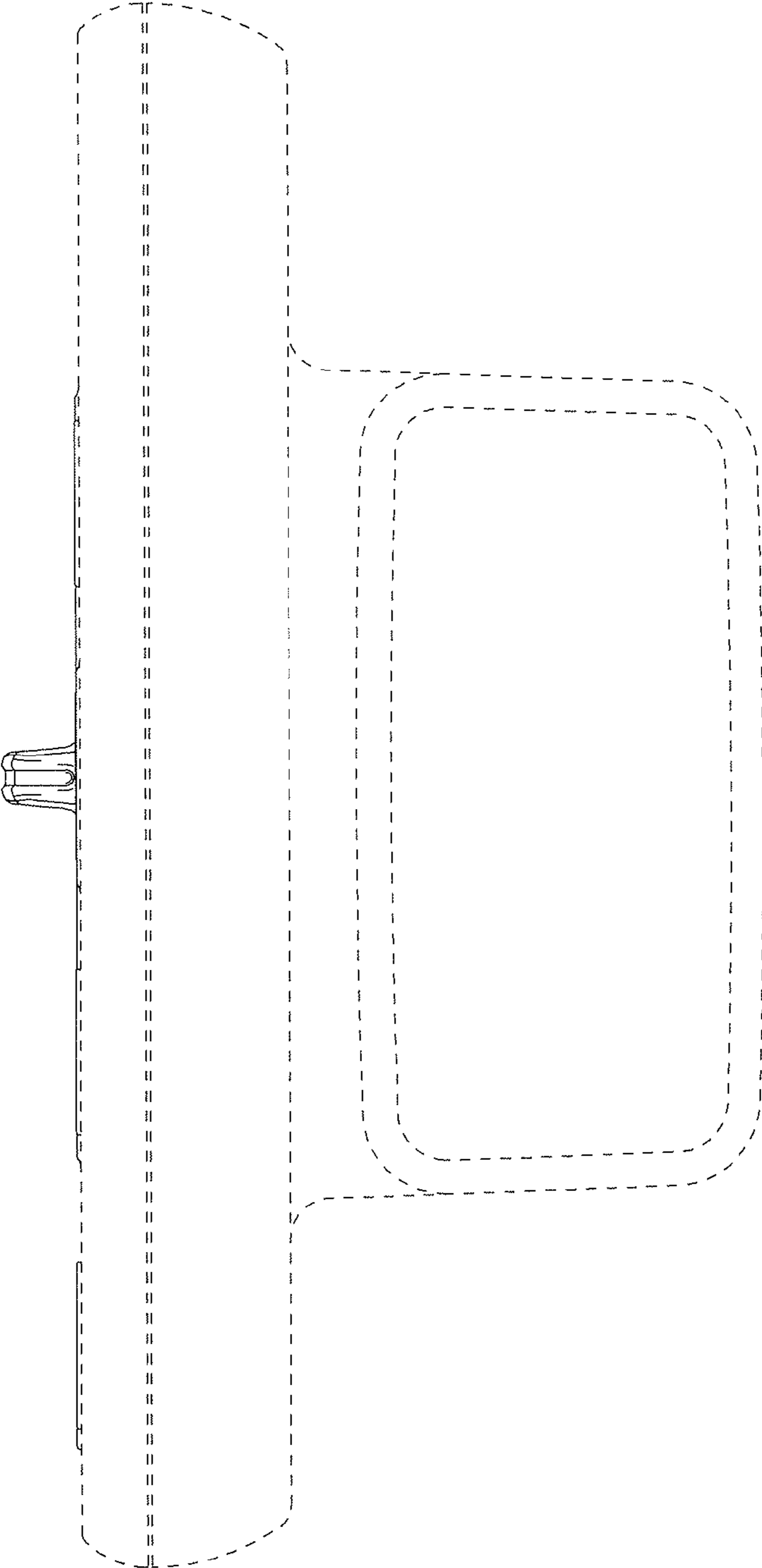


FIG. 5

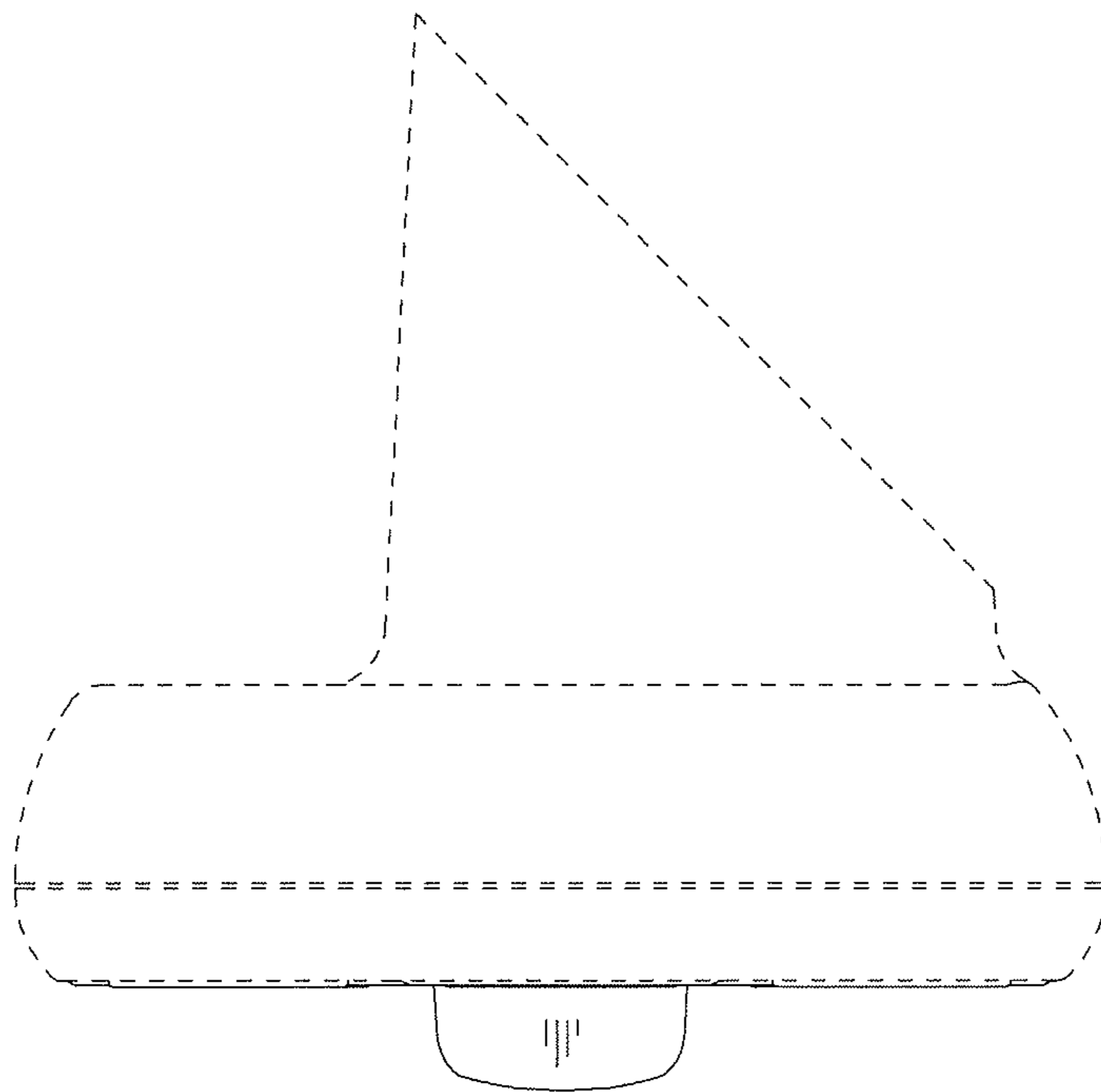


FIG. 6

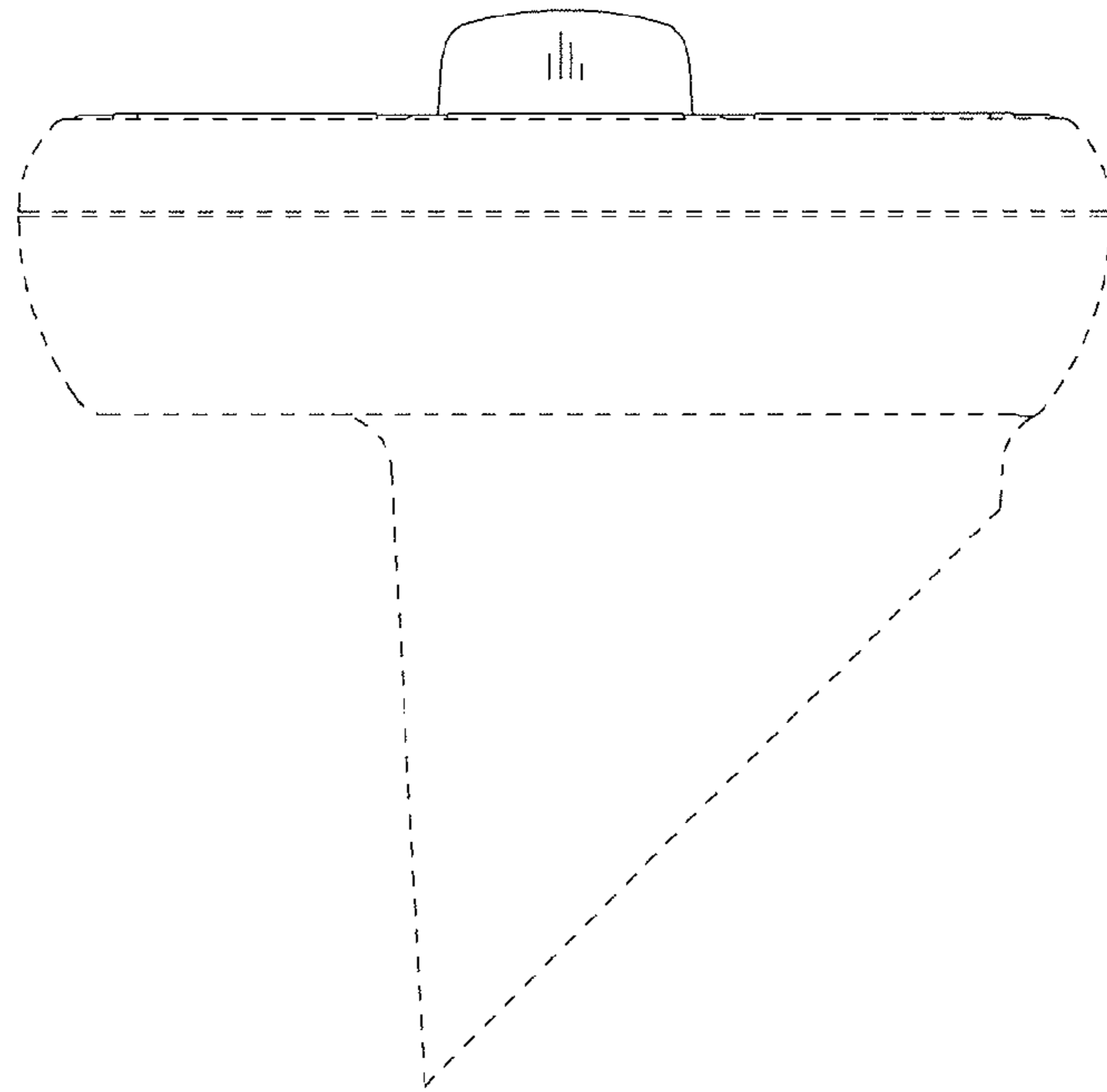


FIG. 7