



US00D761763S

(12) **United States Design Patent**  
**Park et al.**

(10) **Patent No.:** **US D761,763 S**

(45) **Date of Patent:** **\*\* Jul. 19, 2016**

(54) **PORTABLE SPEAKER**

2201/021; H04R 2400/00; H04R 2400/07;  
H04R 2499/11; H04R 2499/13; H04R  
2499/15; H04S 3/00; H04S 7/30

See application file for complete search history.

(71) Applicant: **LG ELECTRONICS INC.**, Seoul (KR)

(72) Inventors: **Soonhyun Park**, Seoul (KR);  
**Cheolwoong Shin**, Seoul (KR); **Hongsik  
Kim**, Seoul (KR); **Jinki Min**, Seoul  
(KR); **Seunghwan Song**, Seoul (KR);  
**Byunghyun Yi**, Seoul (KR); **Jiyoun  
Cha**, Seoul (KR)

(56) **References Cited**

U.S. PATENT DOCUMENTS

D535,278 S *	1/2007	Hussaini .....	D14/155
D542,280 S *	5/2007	Taylor .....	D14/218
D545,300 S *	6/2007	Hong .....	D14/214
D549,210 S *	8/2007	Neu .....	D14/155
D550,196 S *	9/2007	Griffin .....	D14/155
D571,355 S *	6/2008	Koizumi .....	D14/214
D574,358 S *	8/2008	Bart .....	D14/155
D574,359 S *	8/2008	Bart .....	D14/155
D587,244 S *	2/2009	Lim .....	D14/214
D707,180 S *	6/2014	Yi .....	D13/147
D714,257 S *	9/2014	Fletcher .....	D14/214

(73) Assignee: **LG ELECTRONICS INC.**, Seoul (KR)

(\*\*) Term: **15 Years**

\* cited by examiner

*Primary Examiner* — Keli L Hill

(21) Appl. No.: **29/531,731**

(22) Filed: **Jun. 29, 2015**

(74) *Attorney, Agent, or Firm* — Birch, Stewart, Kolasch &  
Birch, LLP

(30) **Foreign Application Priority Data**

Dec. 31, 2014 (KR) ..... 30-2014-0064526

(51) **LOC (10) Cl.** ..... **14-03**

(52) **U.S. Cl.**  
USPC ..... **D14/214**

(58) **Field of Classification Search**  
USPC ..... D14/167, 168, 170–172, 188, 194–196,  
D14/204, 207, 209.1, 210–216, 219, 221,  
D14/222, 224, 239, 496, 155; 181/143, 144,  
181/147, 148, 150, 153, 157, 198, 199;  
381/300–303, 306, 332, 333, 336, 345,  
381/361–364, 386–388; 369/6–12  
CPC .... B60R 11/0217; G06F 1/1688; G10K 9/22;  
G10K 11/004; H03F 1/327; H04M 1/03;  
H04M 1/035; H04N 5/642; H04N 21/4852;  
H04R 1/02; H04R 1/06; H04R 1/021; H04R  
1/025; H04R 1/026; H04R 1/028; H04R  
1/105; H04R 1/323; H04R 1/403; H04R  
1/2803; H04R 1/2834; H04R 5/02; H04R  
7/20; H04R 9/06; H04R 9/025; H04R

(57) **CLAIM**

The ornamental design for a portable speaker, as shown and described.

**DESCRIPTION**

FIG. 1 is a perspective view of the portable speaker showing our new design;  
FIG. 2 is a front view thereof;  
FIG. 3 is a rear view thereof;  
FIG. 4 is a left side view thereof;  
FIG. 5 is a right side view thereof;  
FIG. 6 is a top plan view thereof;  
FIG. 7 is a bottom plan view thereof;  
FIG. 8 is a reference view thereof showing an example of the usage of the subject design in which the subject design is connected to the mobile phone; and,  
FIG. 9 is a reference view thereof showing an example of the usage of the subject design in which the subject design is connected to the mobile phone and than bent and attached to the back of mobile phone by magnetism.  
The broken lines in FIGS. 8 and 9 show environmental structure only and form no part of the claimed design.

**1 Claim, 8 Drawing Sheets**

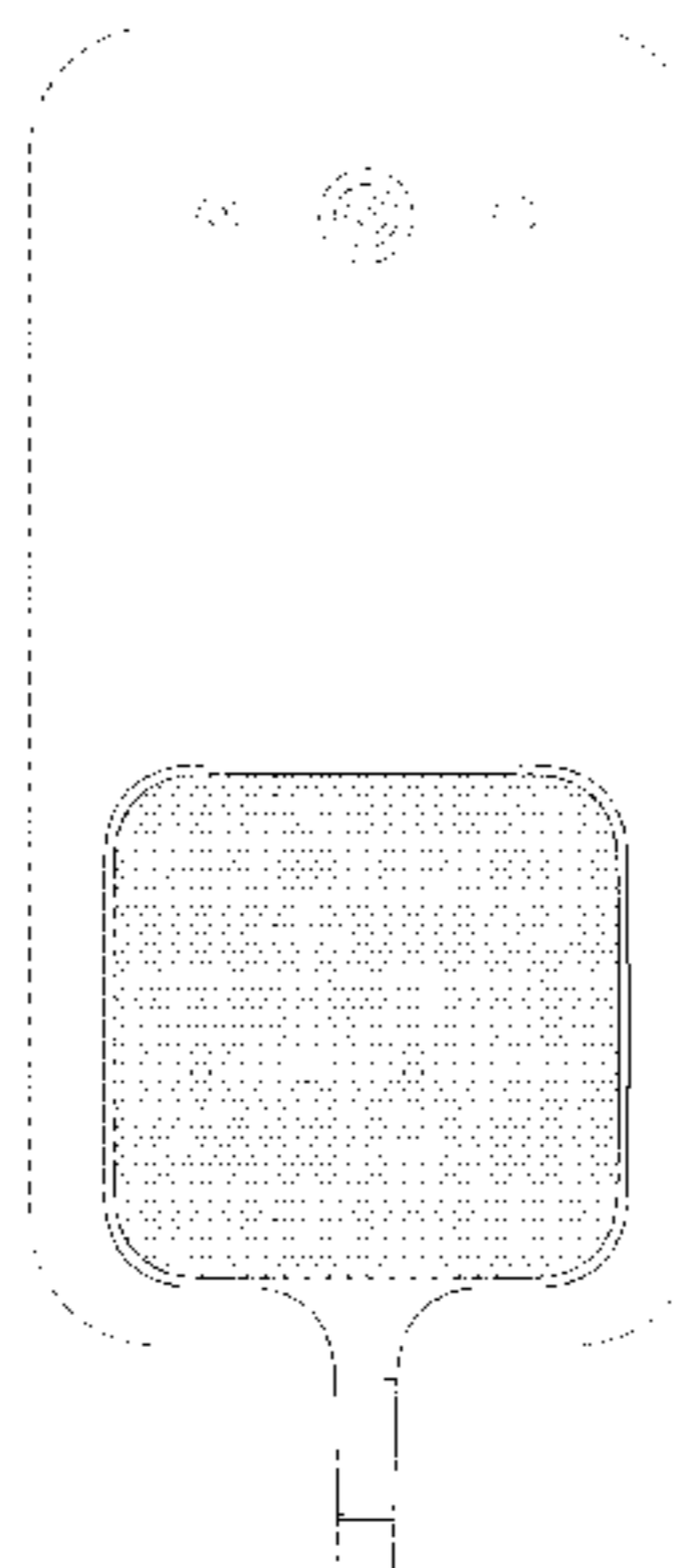
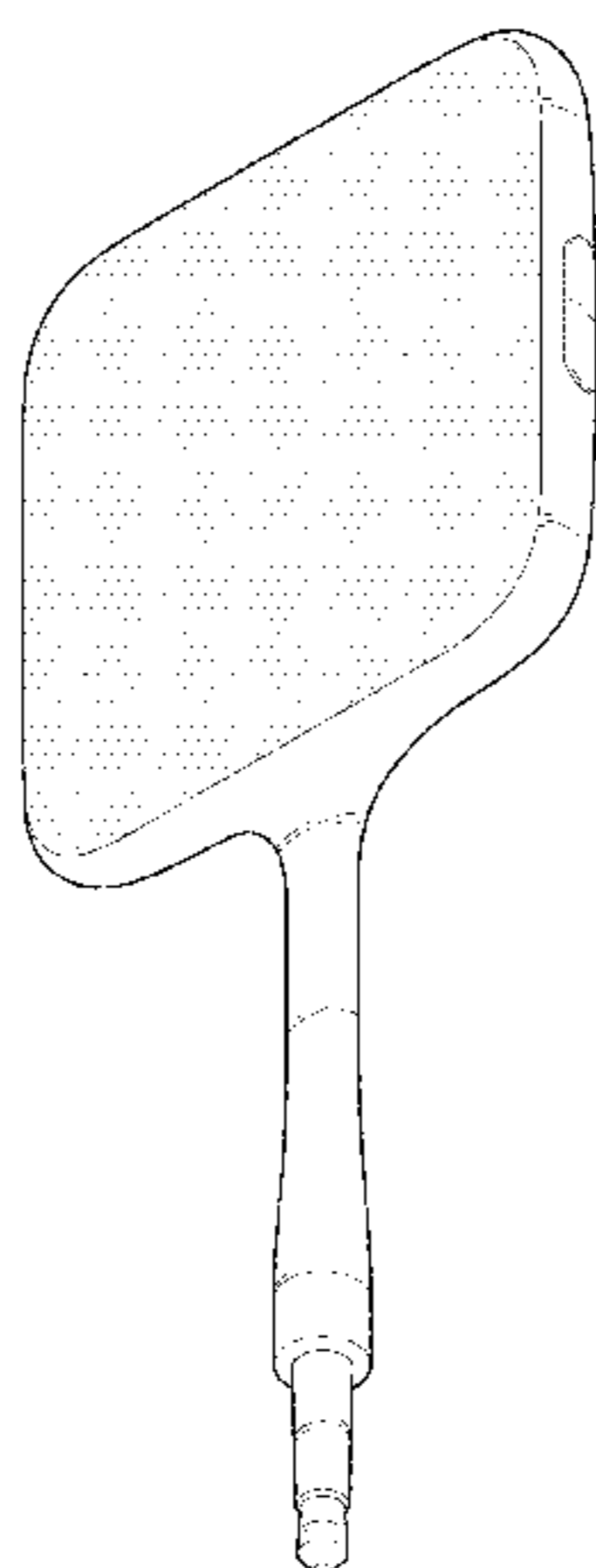


FIG. 1

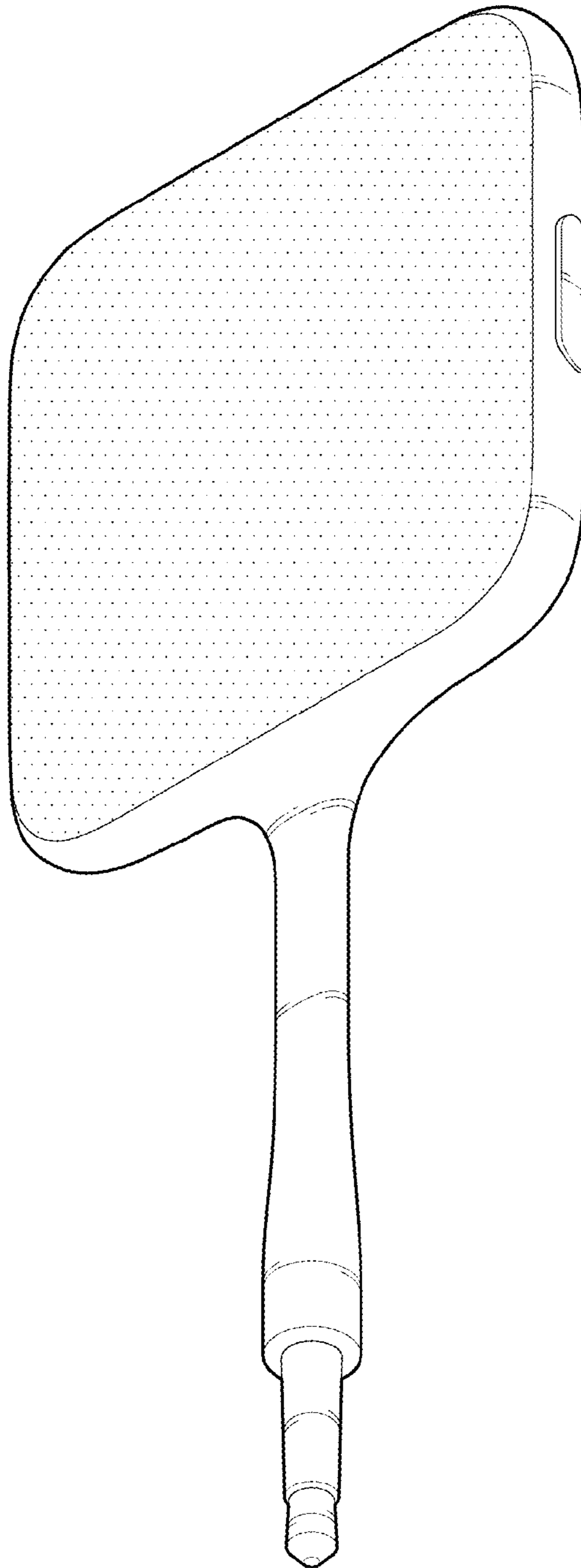


FIG. 2

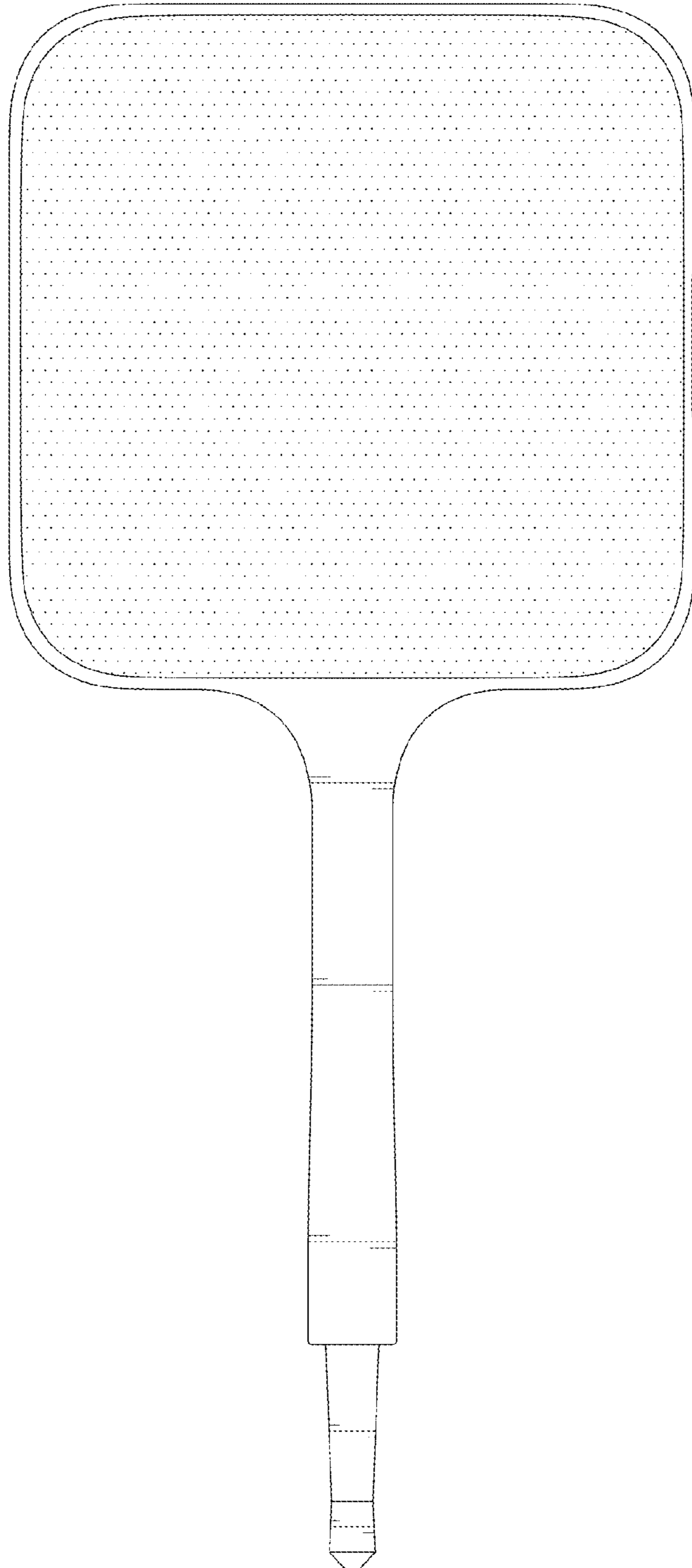


FIG. 3

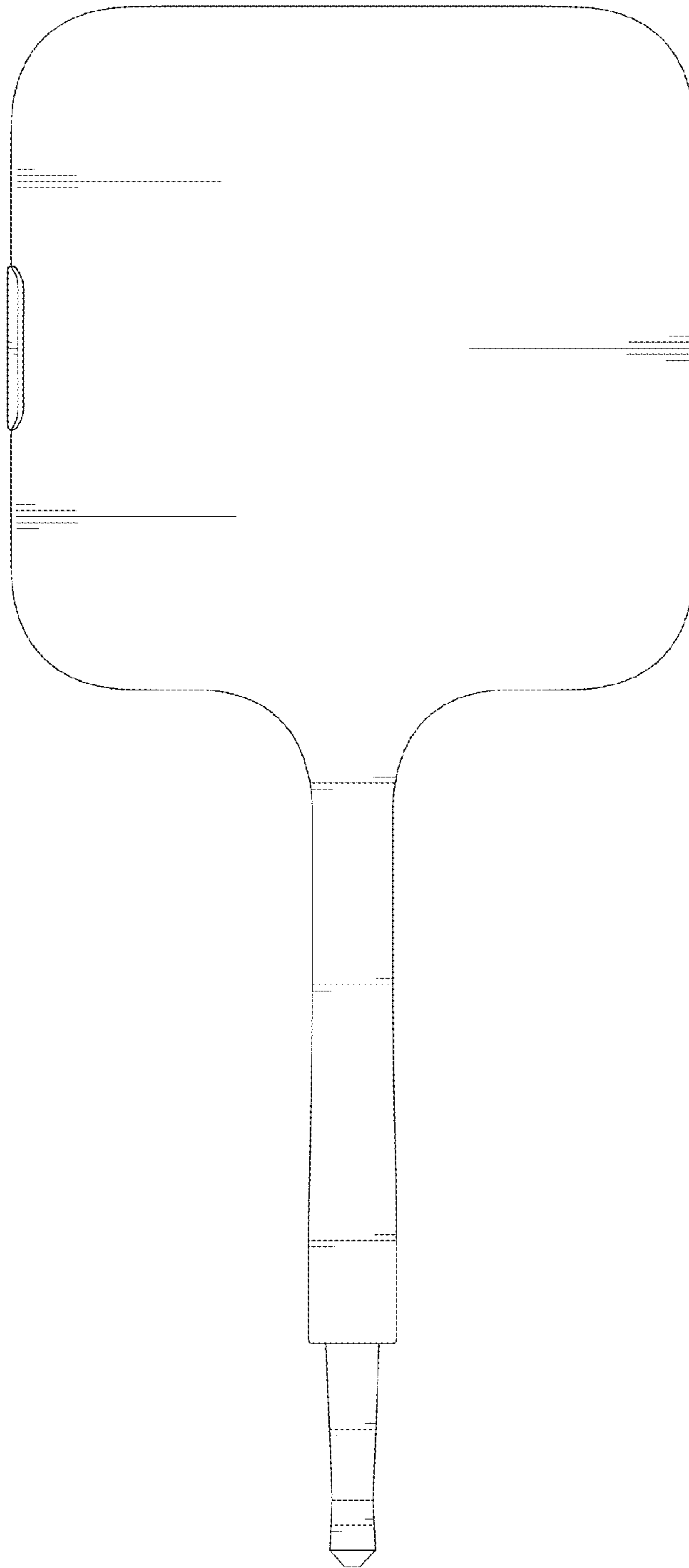


FIG. 4

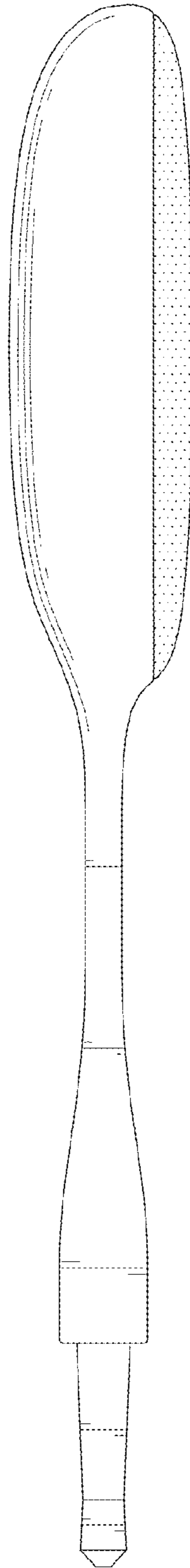


FIG. 5

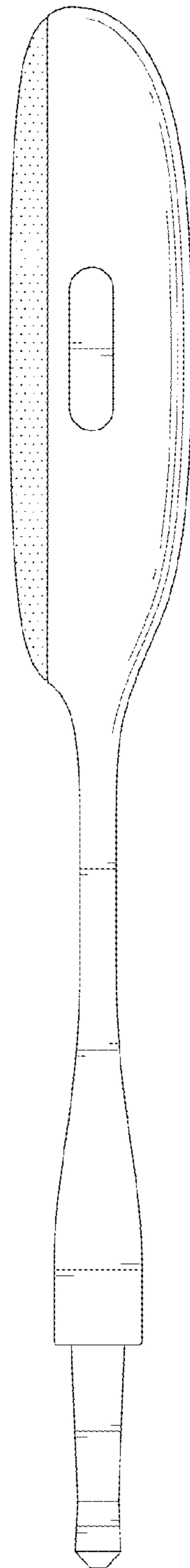


FIG. 6

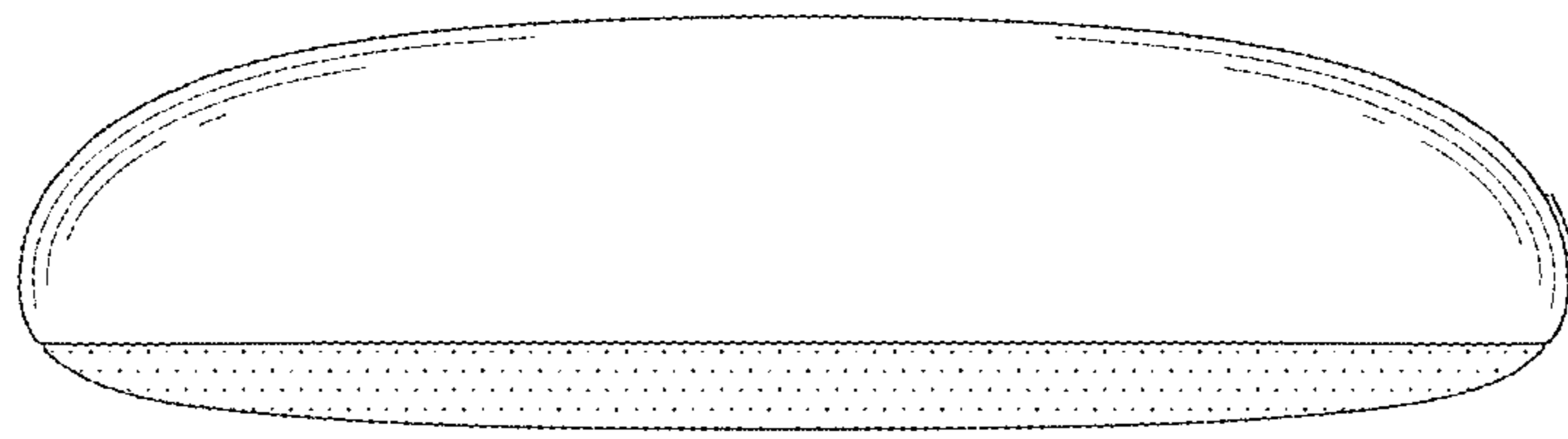


FIG. 7

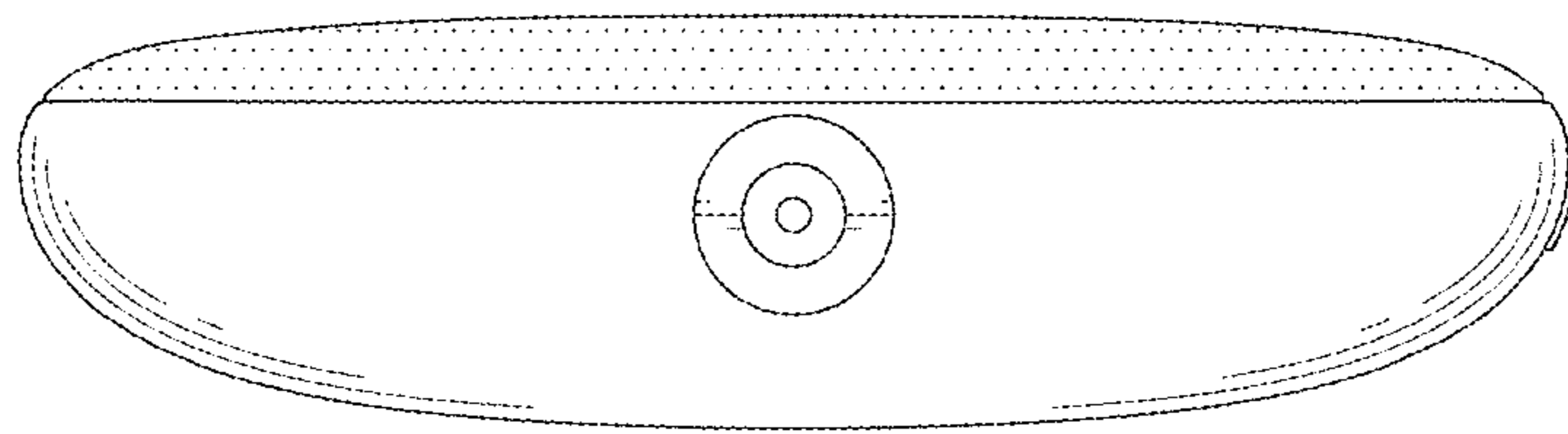


FIG. 8

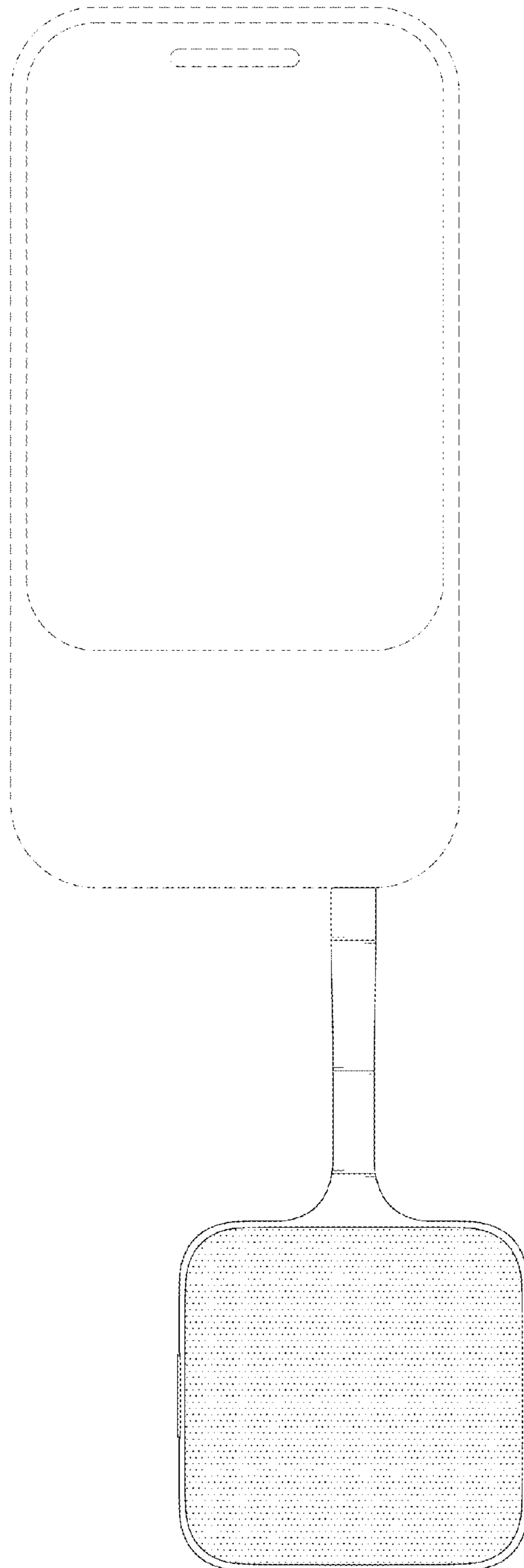




FIG. 9

