



US00D761761S

(12) **United States Design Patent**
Ando et al.

(10) **Patent No.:** **US D761,761 S**
(45) **Date of Patent:** **** Jul. 19, 2016**

- (54) **HEADPHONE**
- (71) Applicants: **Kozo Ando**, Tokyo (JP); **Shohei Araki**, Kanagawa (JP)
- (72) Inventors: **Kozo Ando**, Tokyo (JP); **Shohei Araki**, Kanagawa (JP)
- (73) Assignee: **Kabushiki Kaisha Audio-Technica**, Tokyo (JP)
- (**) Term: **14 Years**
- (21) Appl. No.: **29/521,350**
- (22) Filed: **Mar. 23, 2015**
- (51) **LOC (10) Cl.** **14-01**
- (52) **U.S. Cl.**
USPC **D14/205**
- (58) **Field of Classification Search**
USPC D14/205, 206; D29/112; 2/209;
181/129, 130, 135; 379/430, 431;
381/380, 381, 370, 374, 371; 455/90.3,
455/575.1
CPC H04R 5/0335; H04R 25/00; H04R 1/02
See application file for complete search history.

- D594,847 S * 6/2009 Suzuki D14/205
- D638,397 S * 5/2011 McManigal D14/205
- D642,554 S * 8/2011 Schaal D14/205
- D697,495 S * 1/2014 Lian D14/205
- 8,737,668 B1 * 5/2014 Blair H04R 1/1066
381/378
- D707,200 S * 6/2014 Yang D14/205
- D721,052 S * 1/2015 Carr D14/205
- D734,297 S * 7/2015 Sasaki D14/205
- D739,842 S * 9/2015 Birger D14/205
- D750,041 S * 2/2016 Birger D14/205
- 2001/0017925 A1 * 8/2001 Ceravolo H04M 1/05
381/370
- 2009/0268936 A1 * 10/2009 Goldberg H04R 1/1041
381/384

* cited by examiner

Primary Examiner — Paula Greene

(74) *Attorney, Agent, or Firm* — Whitham, Curtis & Cook, P.C.

(57) **CLAIM**

We claim the ornamental design for a headphone, as shown and described.

DESCRIPTION

FIG. 1 is a front perspective view of a headphone, a rear perspective view being identical; FIG. 2 is a front view of the headphone; FIG. 3 is a rear view of the headphone; FIG. 4 is a right side view of the headphone; FIG. 5 is a left side view of the headphone; FIG. 6 is a top plan view of the headphone; and, FIG. 7 is a bottom plan view of the headphone. Portions of the drawings shown in broken lines form no part of the claimed design.

1 Claim, 7 Drawing Sheets

(56) **References Cited**

U.S. PATENT DOCUMENTS

- D328,074 S * 7/1992 Yamazaki D14/205
- D328,461 S * 8/1992 Daido D14/205
- 5,640,458 A * 6/1997 Nishiguchi G11C 7/16
381/2
- D491,163 S * 6/2004 Green D14/205
- D541,255 S * 4/2007 Taylor D14/205
- D581,394 S * 11/2008 Lee D14/205

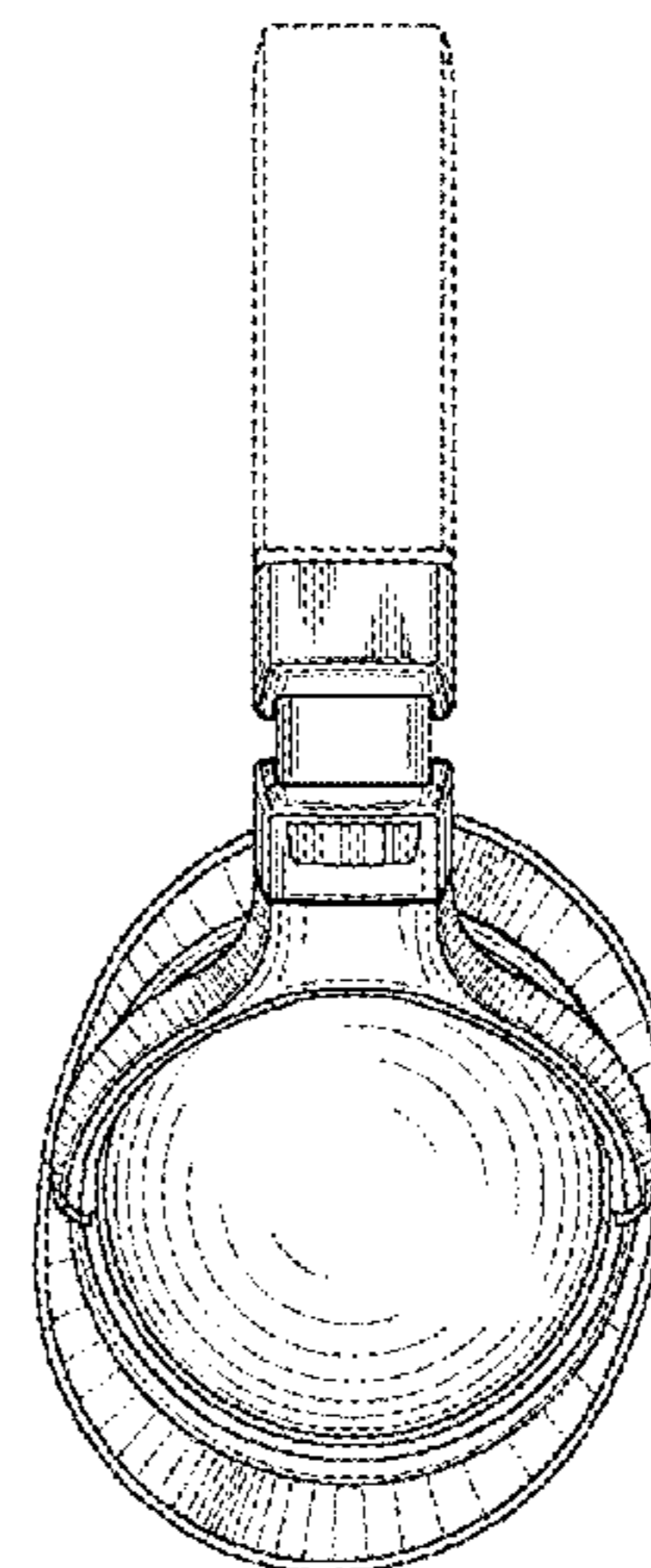
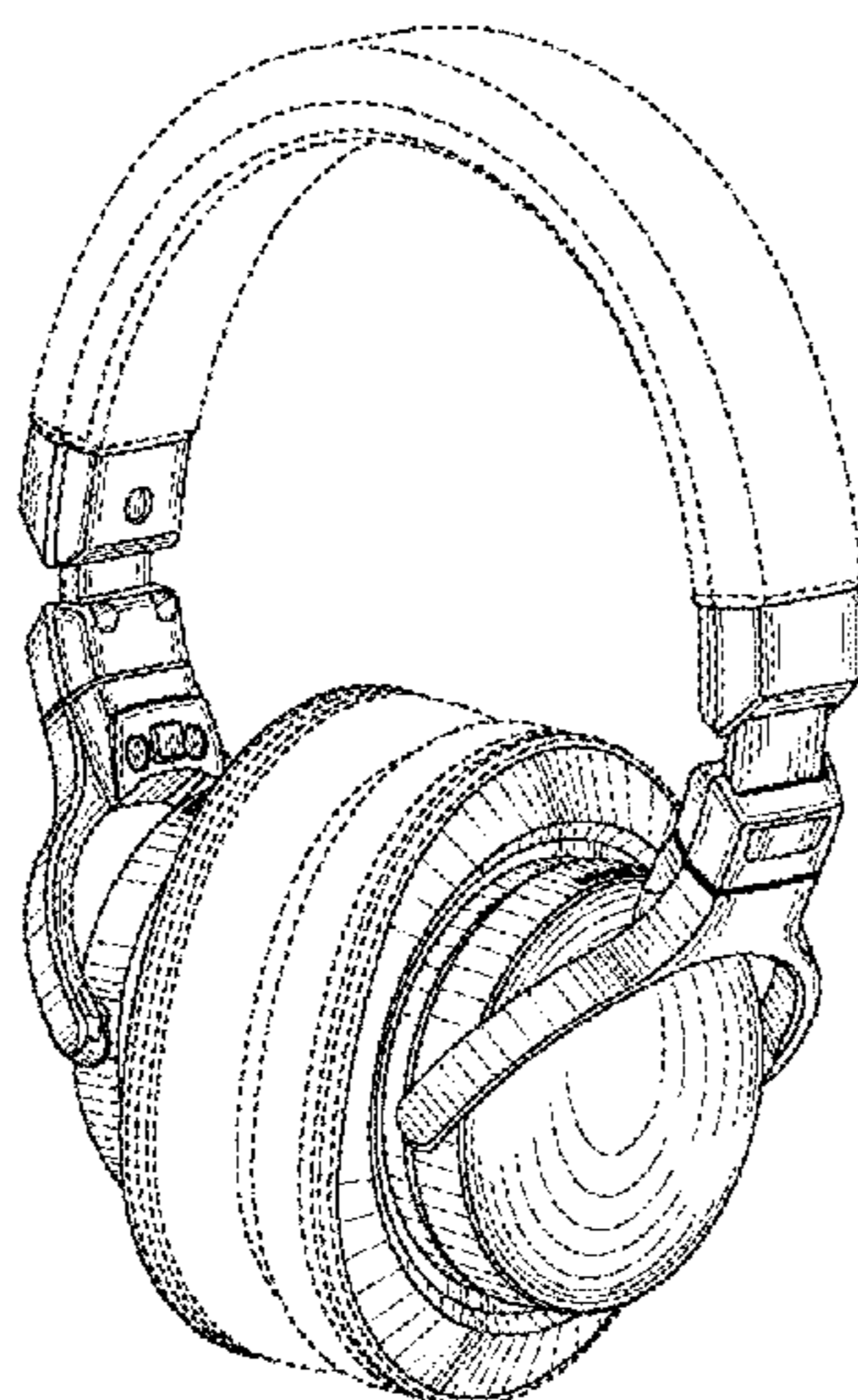


FIG. 1

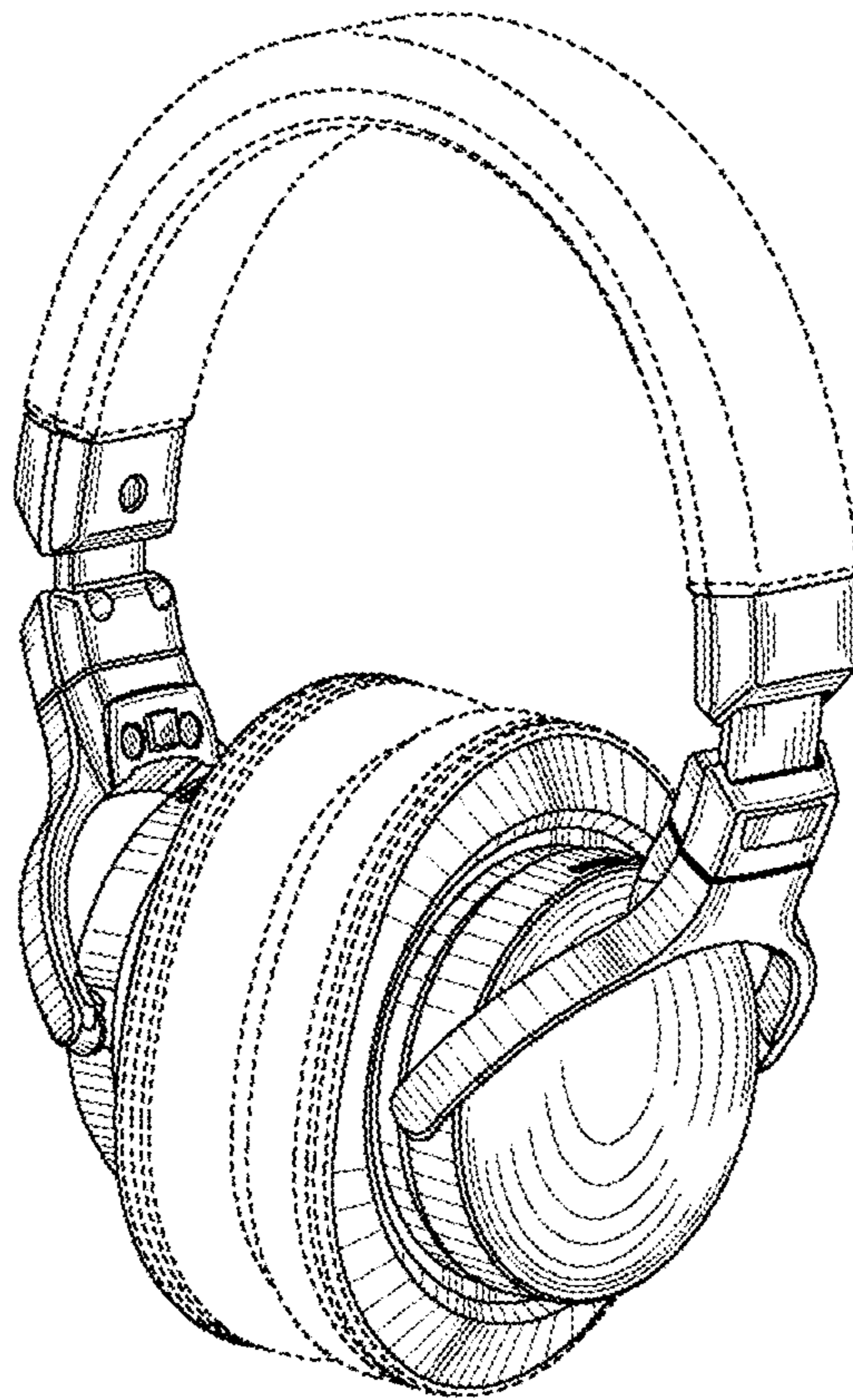


FIG. 2

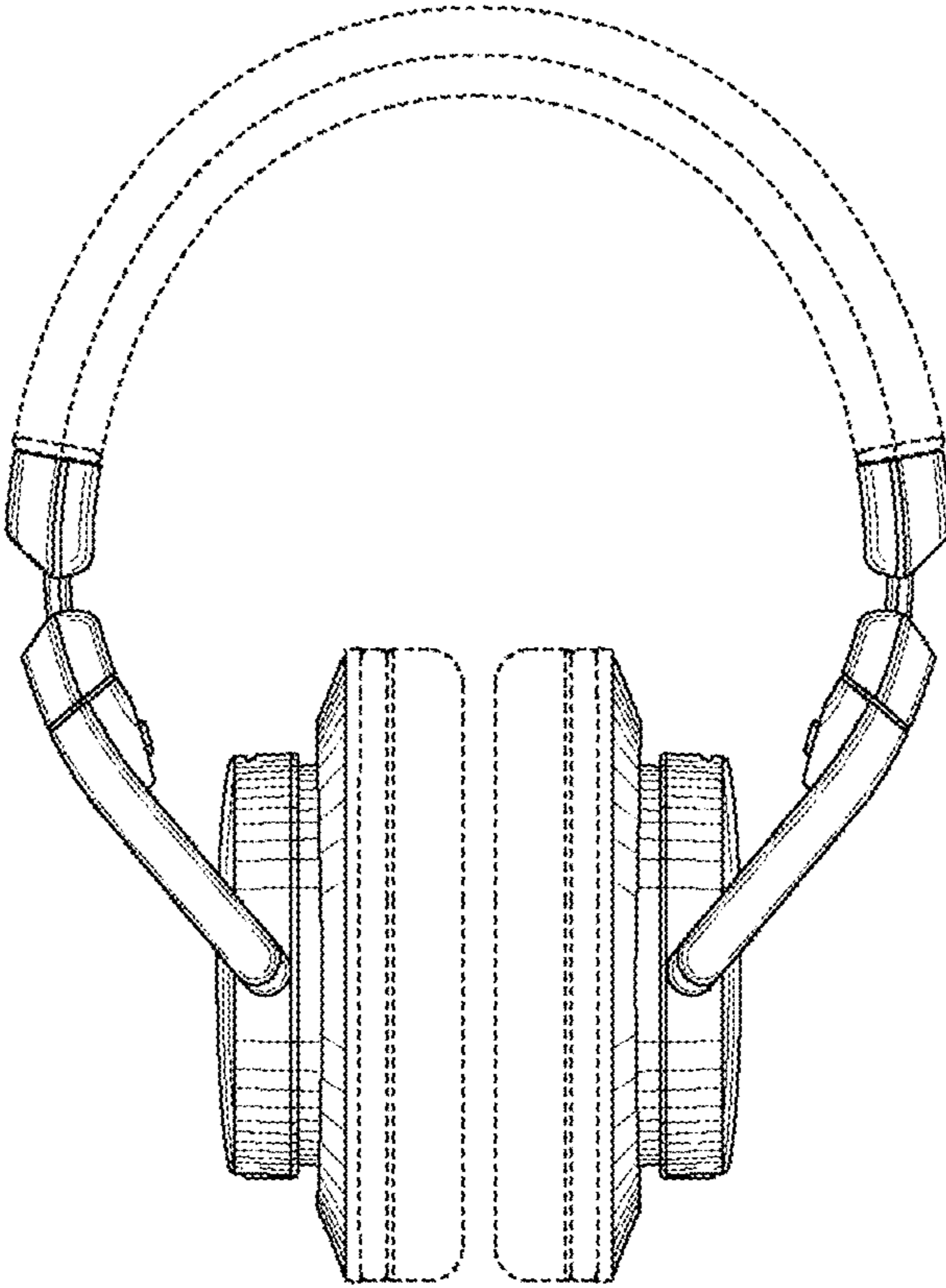


FIG. 3

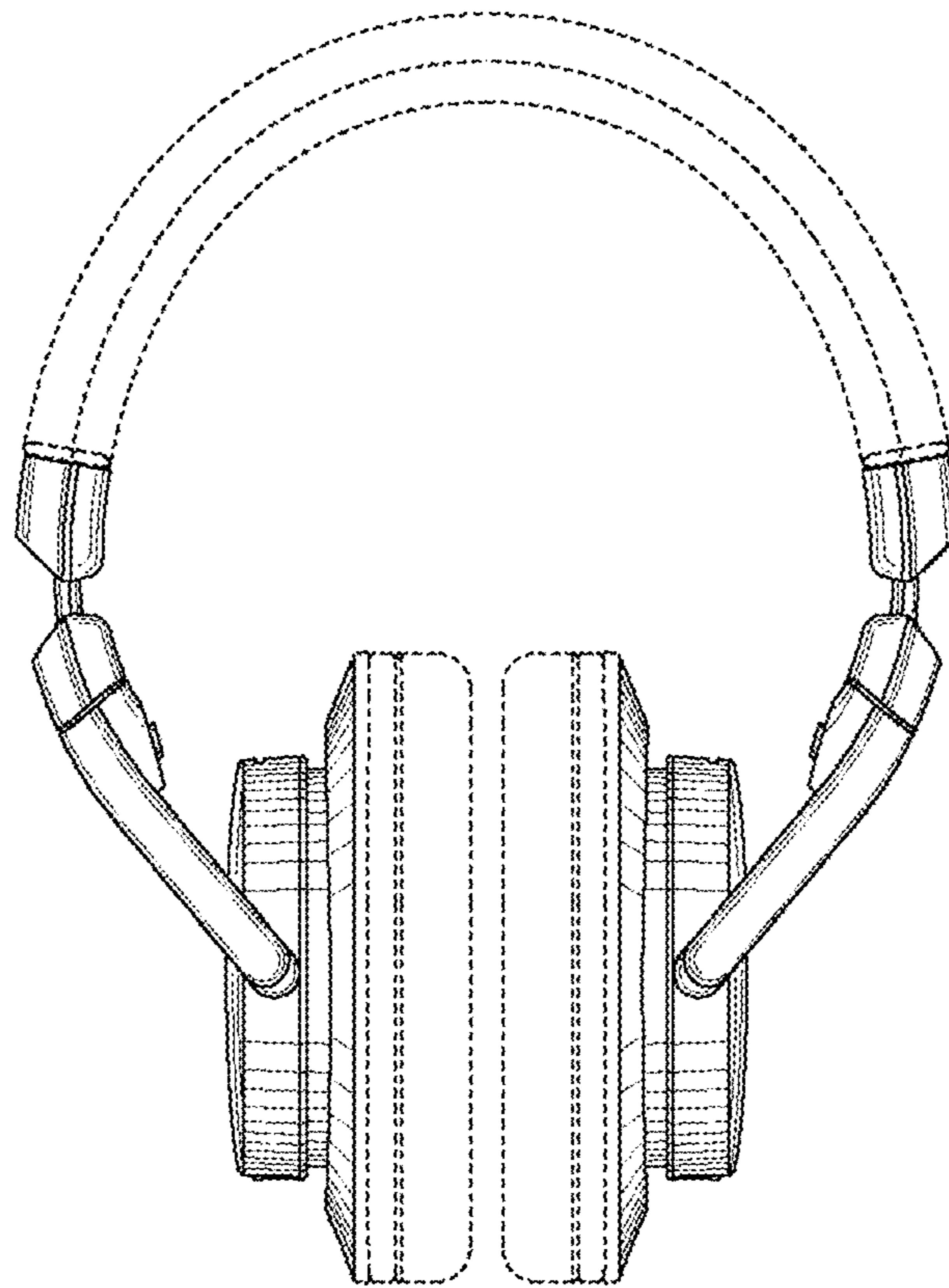


FIG. 4

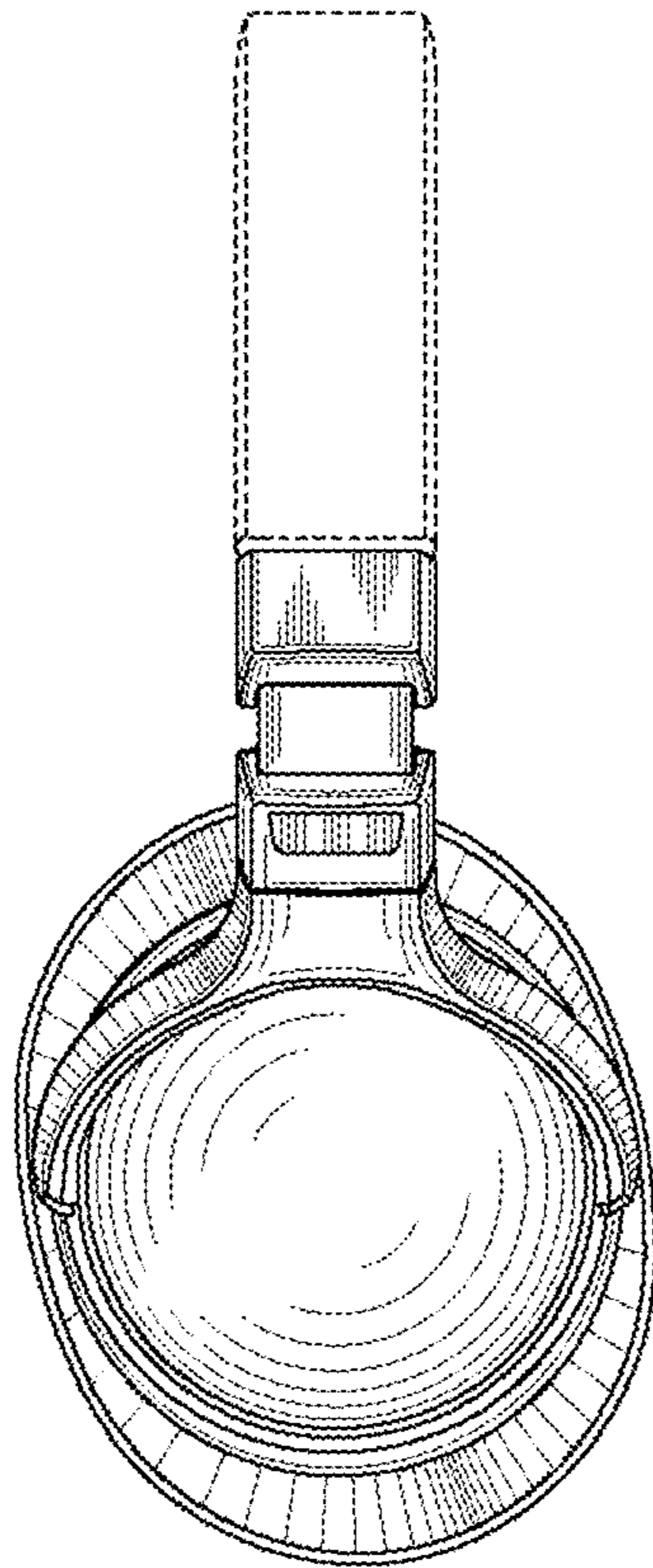


FIG. 5

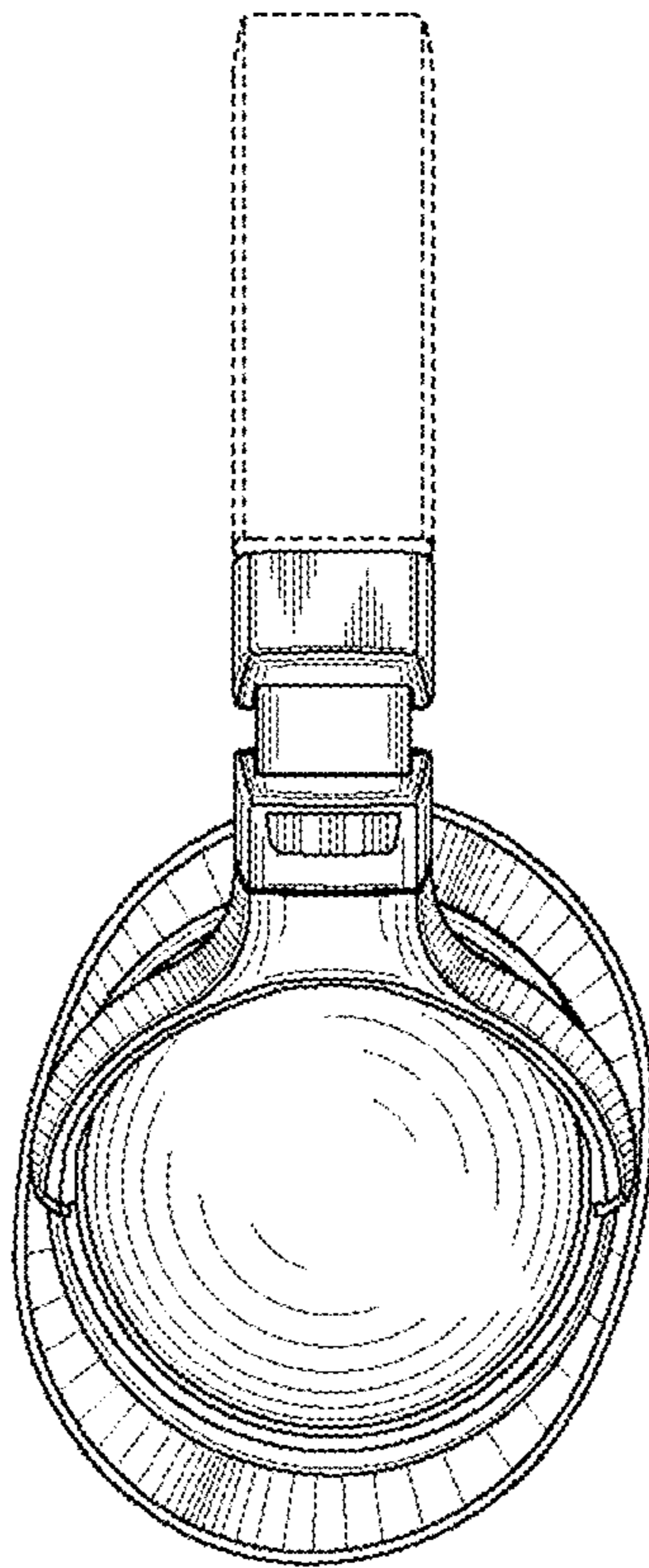


FIG. 6

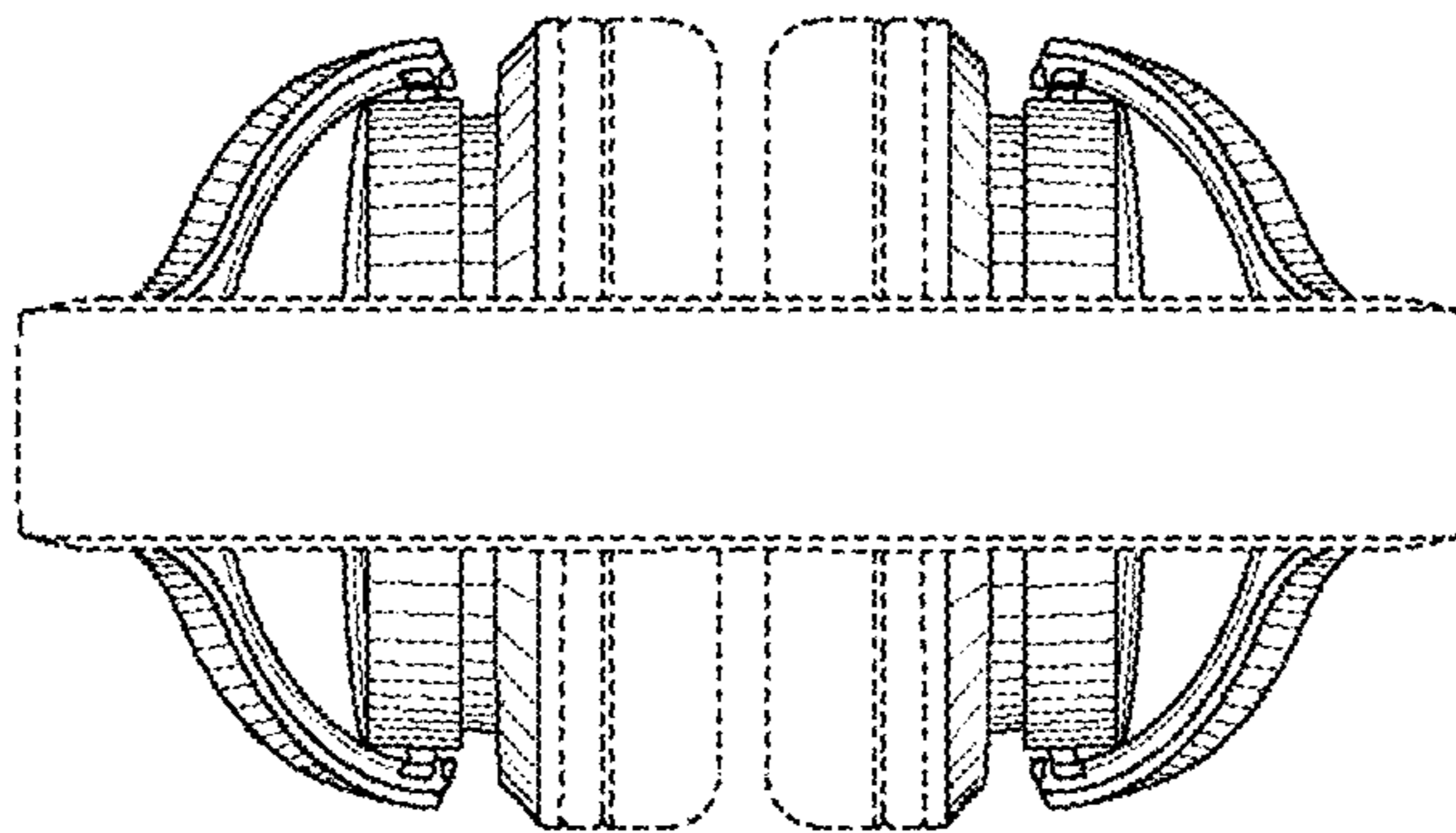


FIG.7

