



US00D761759S

(12) **United States Design Patent**
He et al.

(10) **Patent No.:** **US D761,759 S**
(45) **Date of Patent:** **** Jul. 19, 2016**

(54) **LOUDSPEAKER ENCLOSURE SYSTEM
HAVING DETACHABLE WIRELESS
HEADPHONES**

(71) Applicant: **NINGBO FREEWINGS
TECHNOLOGIES CO., LTD.**, Ningbo
(CN)

(72) Inventors: **Xiaoying He**, Ningbo (CN); **Wenmin
Zhang**, Ningbo (CN); **Kelong Cao**,
Ningbo (CN); **Fujun Yi**, Ningbo (CN);
Kaizhong Shen, Ningbo (CN)

(73) Assignee: **Ningbo Freewings Technologies Co.,
Ltd.**, Ningbo (CN)

(**) Term: **14 Years**

(21) Appl. No.: **29/498,907**

(22) Filed: **Aug. 8, 2014**

(51) **LOC (10) Cl.** **14-01**

(52) **U.S. Cl.**
USPC **D14/204; D14/211; D14/223**

(58) **Field of Classification Search**
USPC D14/204, 210, 211, 209.1, 213, 214,
D14/215, 216, 221, 224, 205, 223; 381/186,
381/188, 335, 380, 381, 74; 379/430, 431;
181/147, 148, 199; D29/112; 2/209;
455/90.3, 575.1
CPC H04R 1/10; H04R 1/1041
See application file for complete search history.

(56) **References Cited**

U.S. PATENT DOCUMENTS

D229,618 S	*	12/1973	Teruachi et al.	D14/211
D276,806 S	*	12/1984	Eberbach	D14/214
D319,243 S	*	8/1991	Yamakawa	D14/216
D322,072 S	*	12/1991	Yamamoto	D14/214
D355,913 S	*	2/1995	Chong	D14/168
D357,248 S	*	4/1995	Cheng	D14/137
D370,679 S	*	6/1996	Olson	D14/214
D417,217 S	*	11/1999	Heath	D14/215
6,104,819 A	*	8/2000	Nickum	381/123

D437,843 S	*	2/2001	Masui	D14/215
D465,212 S	*	11/2002	Lytel	D14/215
D480,383 S	*	10/2003	Bolton et al.	D14/214
D483,026 S	*	12/2003	Koskinen	D14/211
D484,489 S	*	12/2003	Matsuoka	D14/211
D489,054 S	*	4/2004	Weikel et al.	D14/211
D497,899 S	*	11/2004	Weikel et al.	D14/214
D507,559 S	*	7/2005	Sitoh	D14/214
7,065,219 B1	*	6/2006	Abe et al.	381/74
D573,584 S	*	7/2008	Kim	D14/215
D576,150 S	*	9/2008	Lim et al.	D14/211
D583,802 S	*	12/2008	Pincek et al.	D14/214
D597,531 S	*	8/2009	Cho	D14/215
D638,401 S	*	5/2011	Woo et al.	D14/214
D641,731 S	*	7/2011	Hoggarth et al.	D14/216
D729,201 S	*	5/2015	Park et al.	D14/214

* cited by examiner

Primary Examiner — Paula Greene

(74) *Attorney, Agent, or Firm* — McNeas Wallace & Nurick
LLC

(57) **CLAIM**

The design for a loudspeaker enclosure system having detachable wireless headphones, as shown and described.

DESCRIPTION

FIG. 1 is a front view of a loudspeaker enclosure system having detachable wireless headphones showing the claimed design, of which the fronts (the interior portions facing the loudspeaker enclosure system) of the headphone earphones are not part of the claimed design;

FIG. 2 is a back view thereof;

FIG. 3 is a top view thereof;

FIG. 4 is a bottom view thereof;

FIG. 5 is a left view thereof;

FIG. 6 is a right view thereof;

FIG. 7 is a perspective view thereof; and,

FIG. 8 is an exploded view thereof, with the headphones and speaker detached, the opposite interior face of the headphone being a mirror image.

Portions of the loudspeaker enclosure system having detachable wireless headphones shown in broken lines form no part of the claimed design.

1 Claim, 8 Drawing Sheets

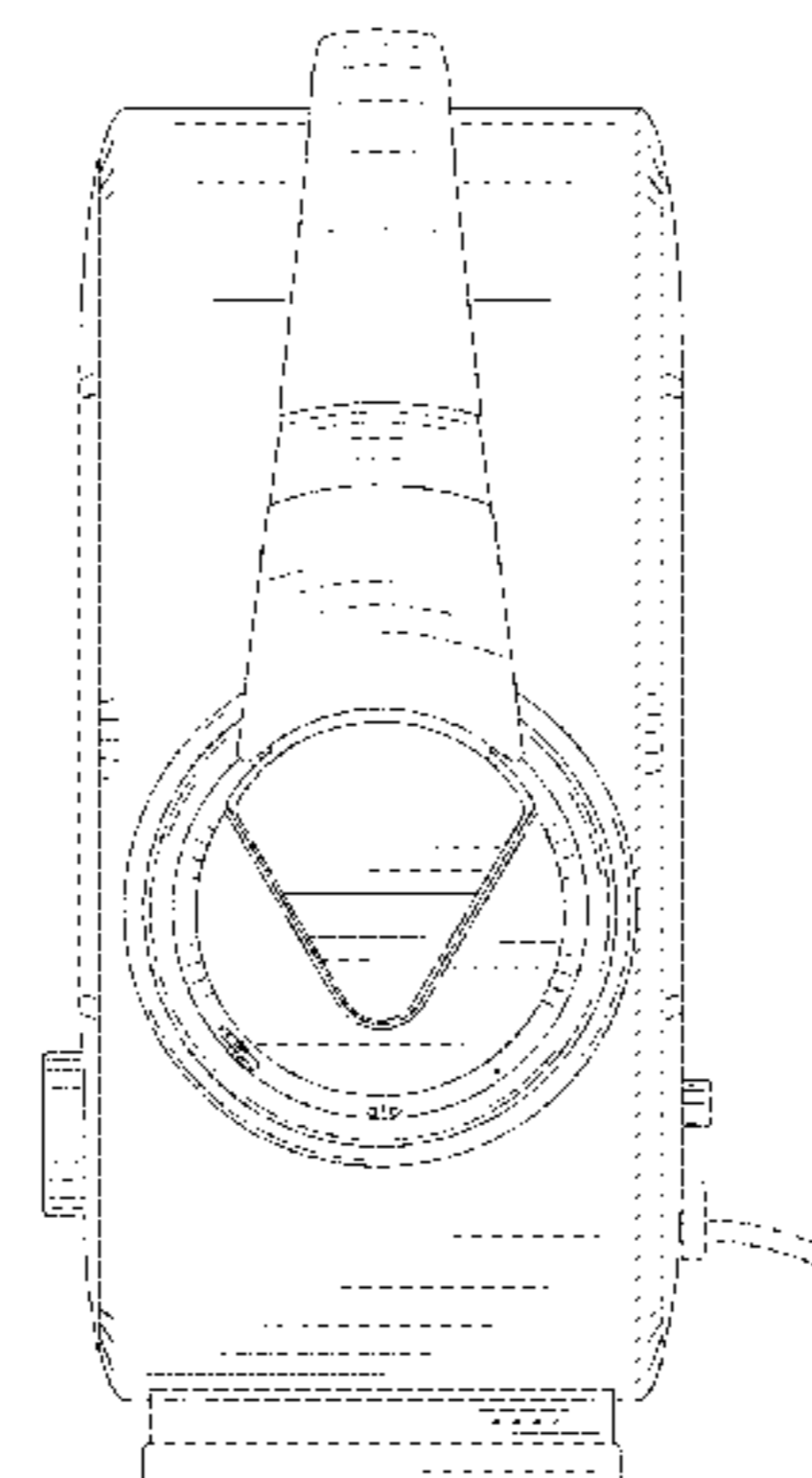
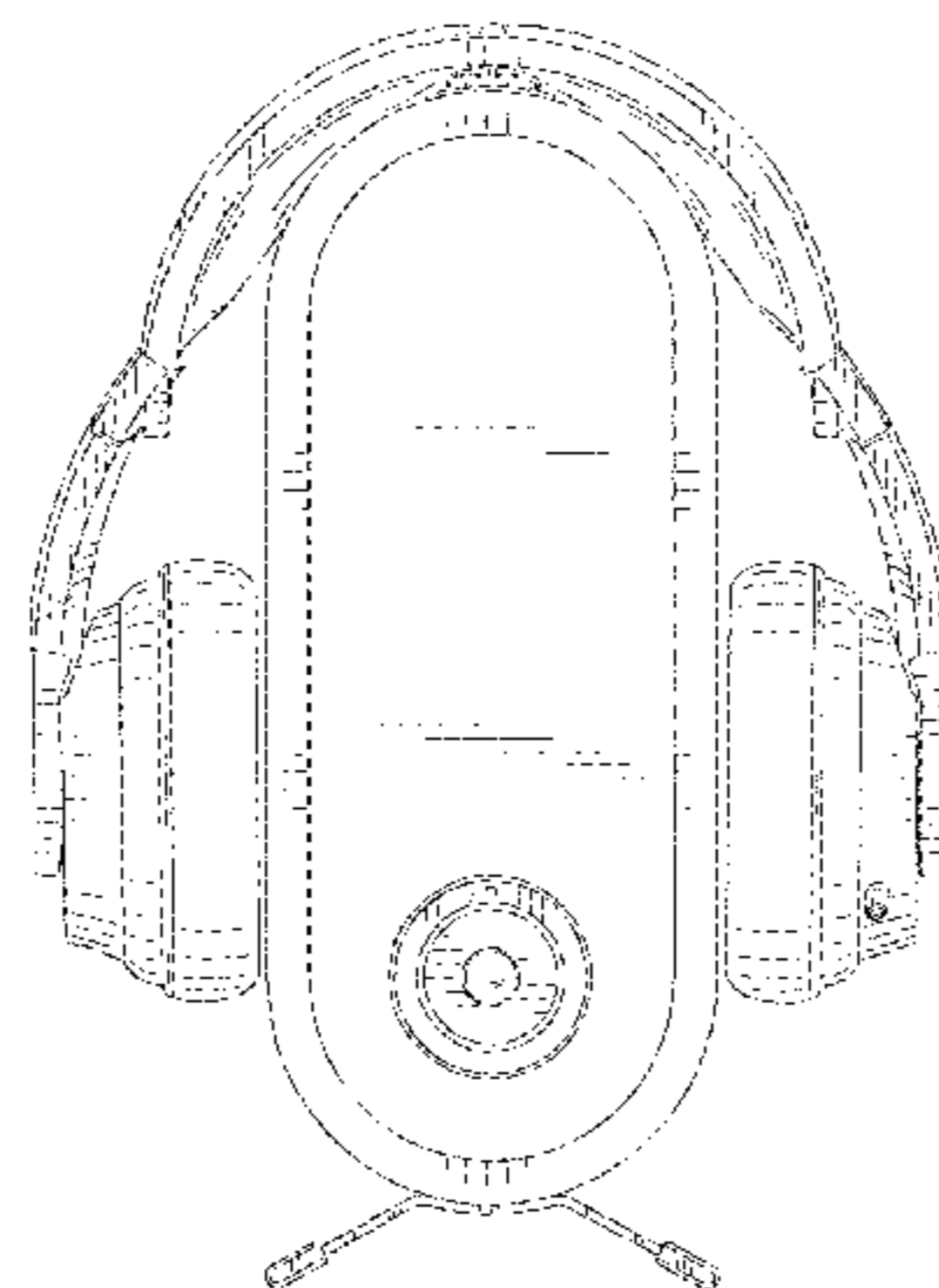


Fig. 1

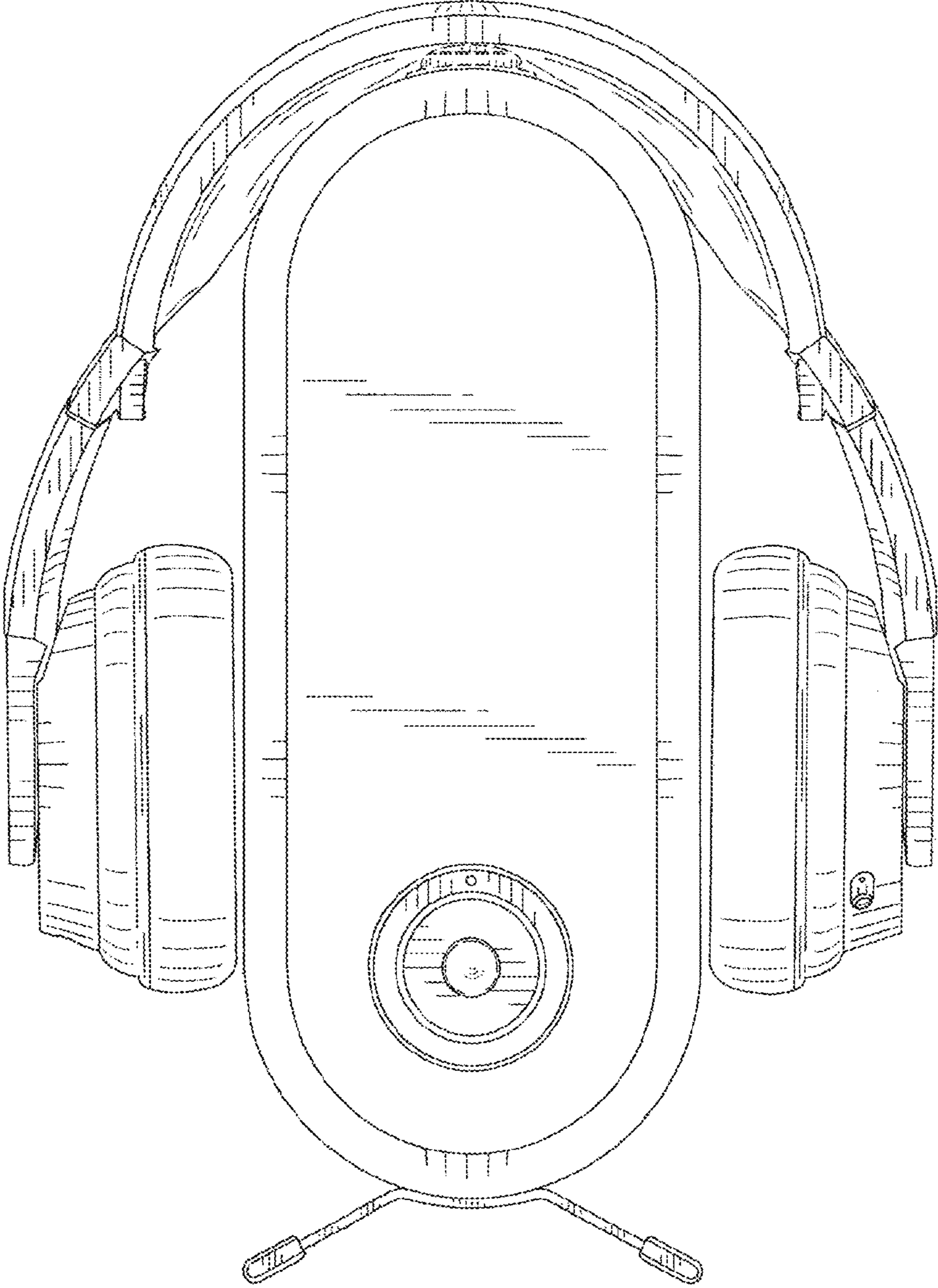


Fig. 2

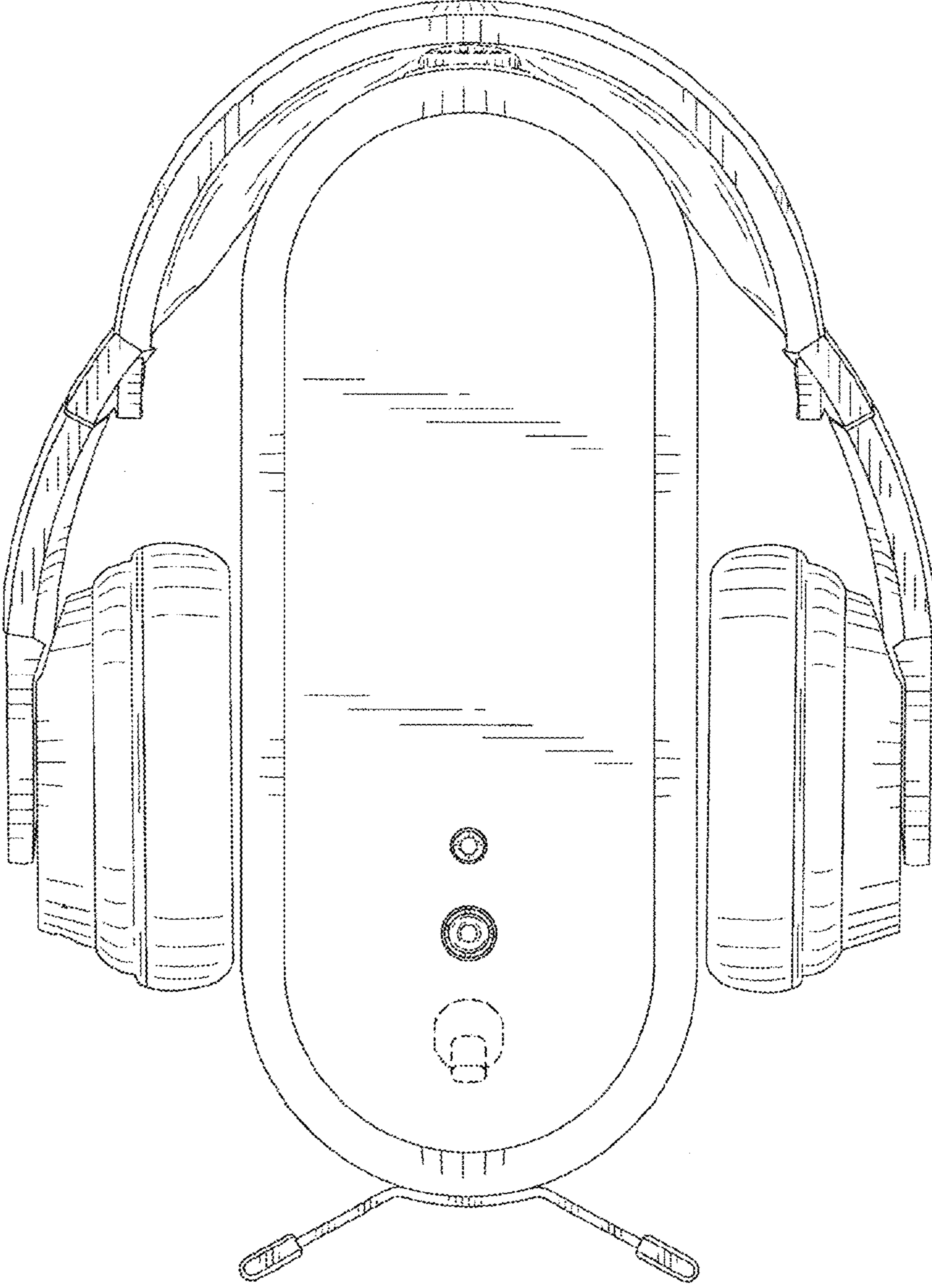


Fig. 3

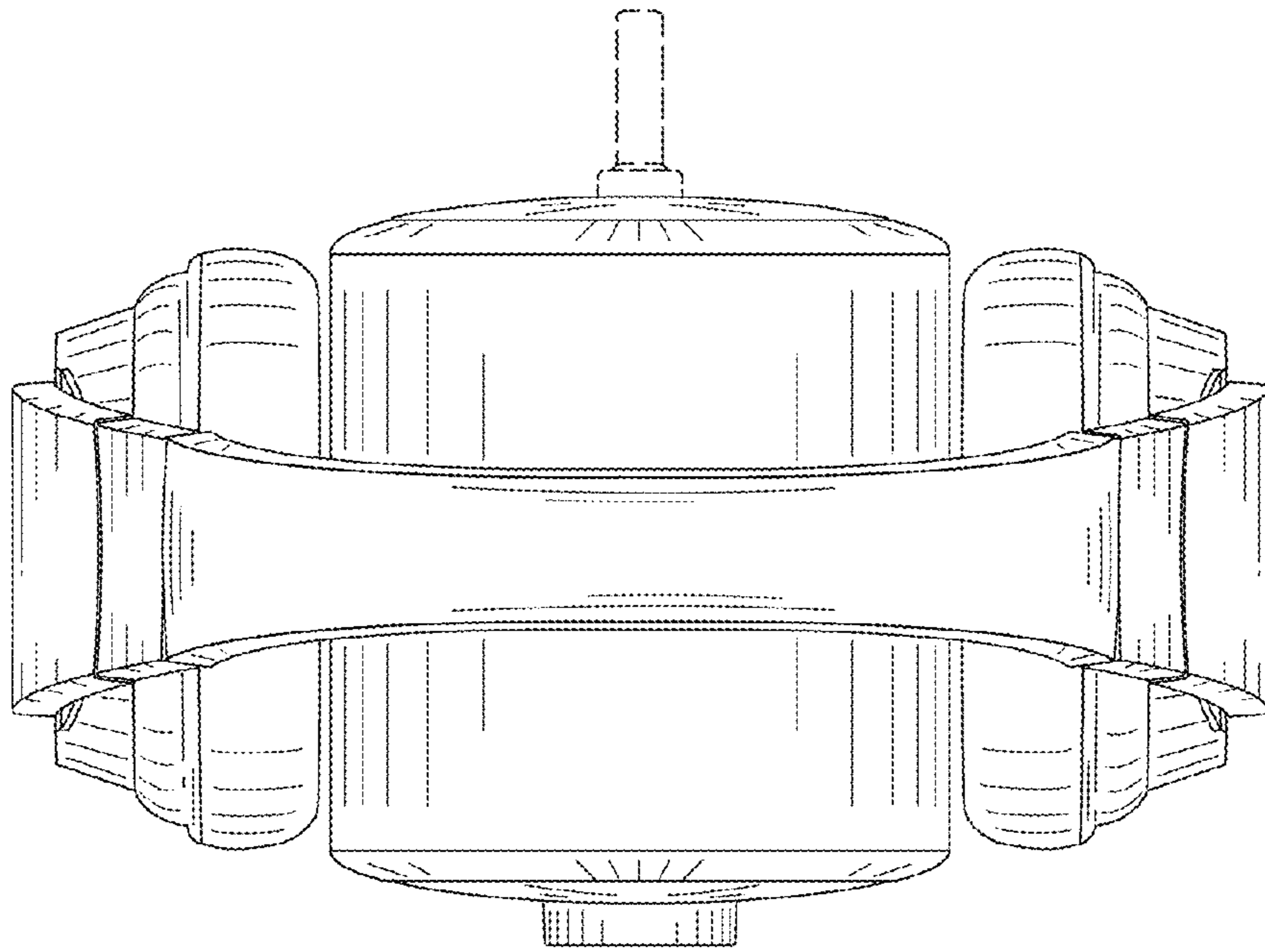


Fig. 4

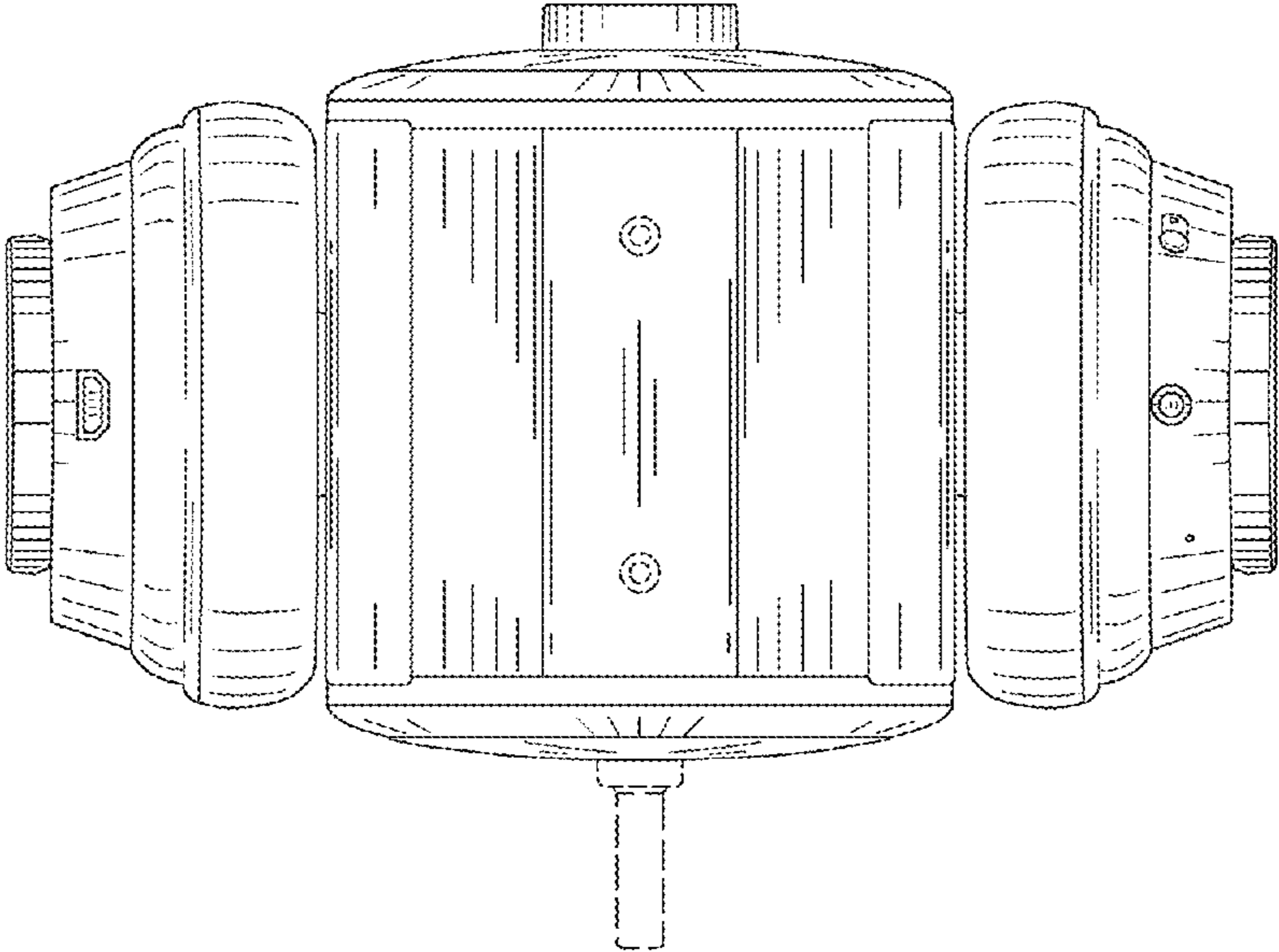
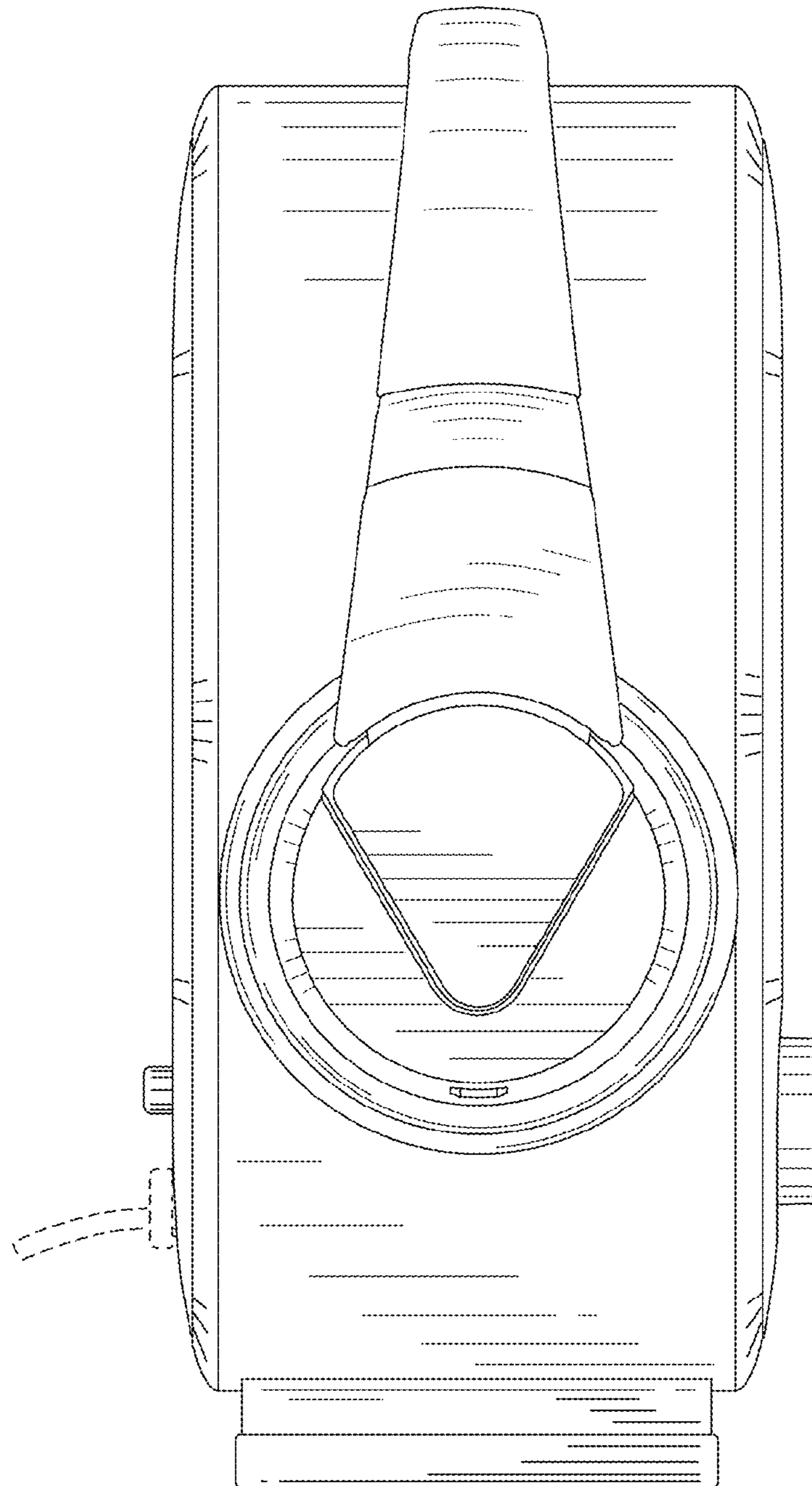


Fig. 5



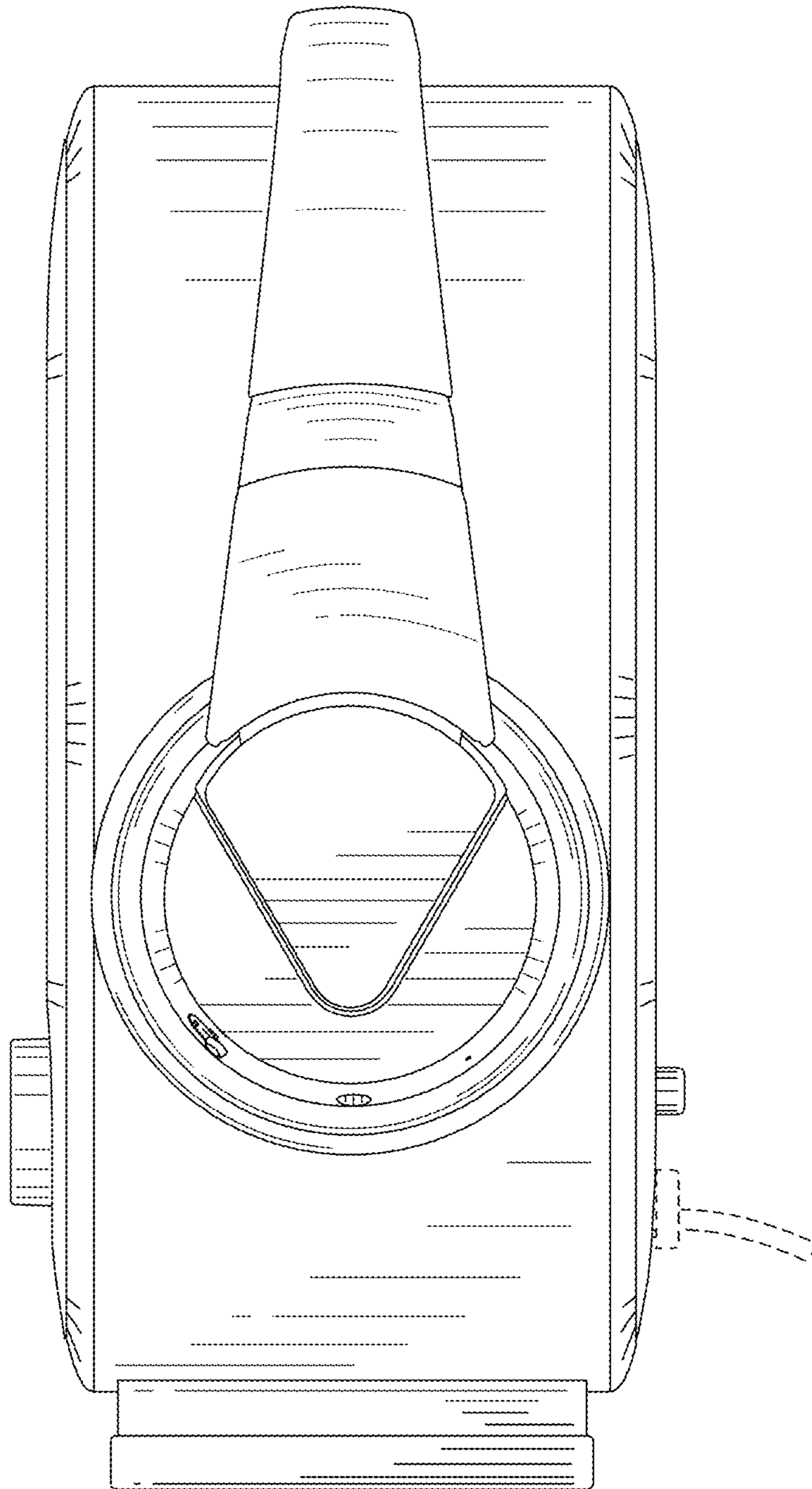


Fig. 6

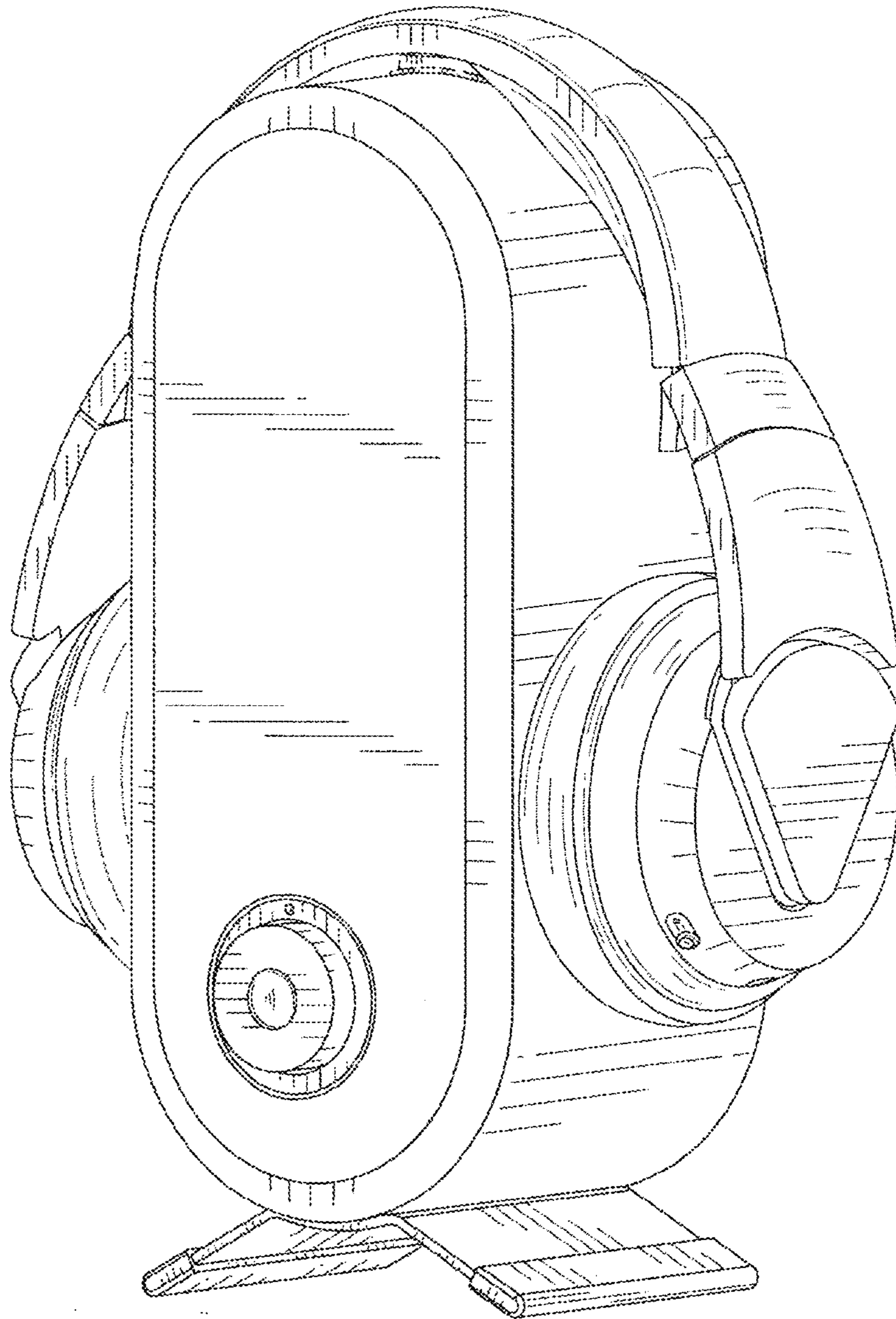


Fig. 7

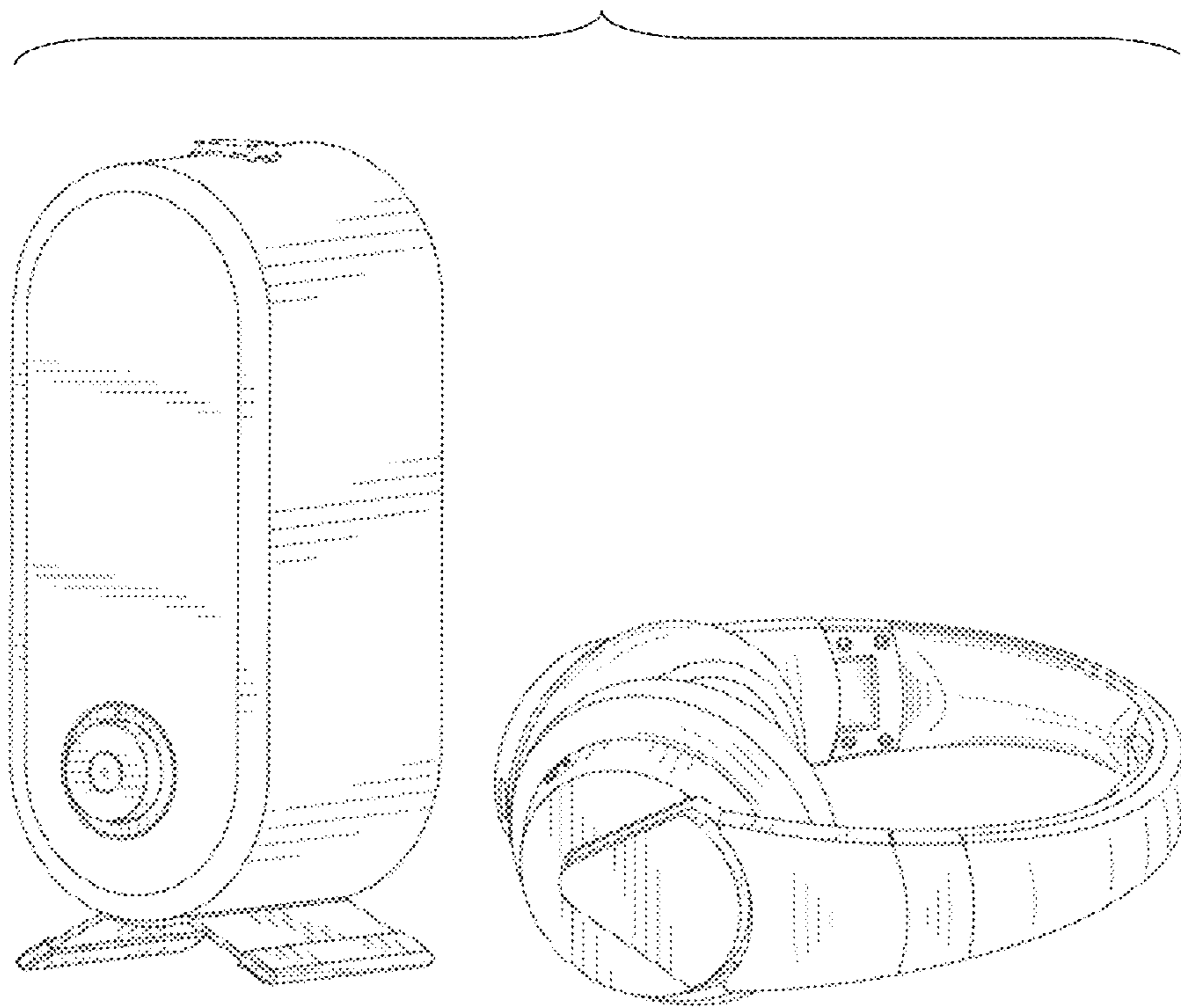


FIG. 8