

US00D761754S

(12) **United States Design Patent**
Michielan

(10) **Patent No.:** **US D761,754 S**
(45) **Date of Patent:** **** Jul. 19, 2016**

(54) **INTERCOM**
(71) Applicant: **CAME S.p.A.**, Dosson di Casier (IT)
(72) Inventor: **Gianni Michielan**, Mogliano Veneto (IT)
(73) Assignee: **CAME S.p.A.**, Dosson di Casier (IT)
(**) Term: **15 Years**

D534,885 S *	1/2007	Holger	D14/130
D535,268 S *	1/2007	Holger	D14/130
D554,103 S *	10/2007	Morikawa	D14/142
D561,734 S *	2/2008	Yamada	D14/159
D562,306 S *	2/2008	Jeong	D14/159
D575,764 S *	8/2008	Nakashima	D14/159
D597,062 S *	7/2009	Lando	D14/159
D620,917 S *	8/2010	Hattori	D14/159
D722,301 S *	2/2015	Crippa	D14/159
D735,160 S *	7/2015	Hinkel	D14/159

* cited by examiner

(21) Appl. No.: **29/535,581**
(22) Filed: **Aug. 7, 2015**

Primary Examiner — Austin Murphy

(74) *Attorney, Agent, or Firm* — Harness, Dickey & Pierce, P.L.C.

(30) **Foreign Application Priority Data**

Feb. 11, 2015 (EM) 002631218

(51) **LOC (10) Cl.** **14-03**
(52) **U.S. Cl.**
USPC **D14/159**

(57) **CLAIM**

The ornamental design for an intercom, as shown and described.

(58) **Field of Classification Search**
USPC D14/315–327, 384, 432, 439–446, 341, D14/345, 353–355, 125, 130, 132, 138, D14/159; D16/202, 208; D9/424–432; D6/491; D8/403; 235/145 A, 145 R; 341/22, 23; 349/12; 361/680–686; D20/10, 41, 43
CPC G08B 13/1672; G08B 13/19645; G08B 25/006; H04M 11/04
See application file for complete search history.

DESCRIPTION

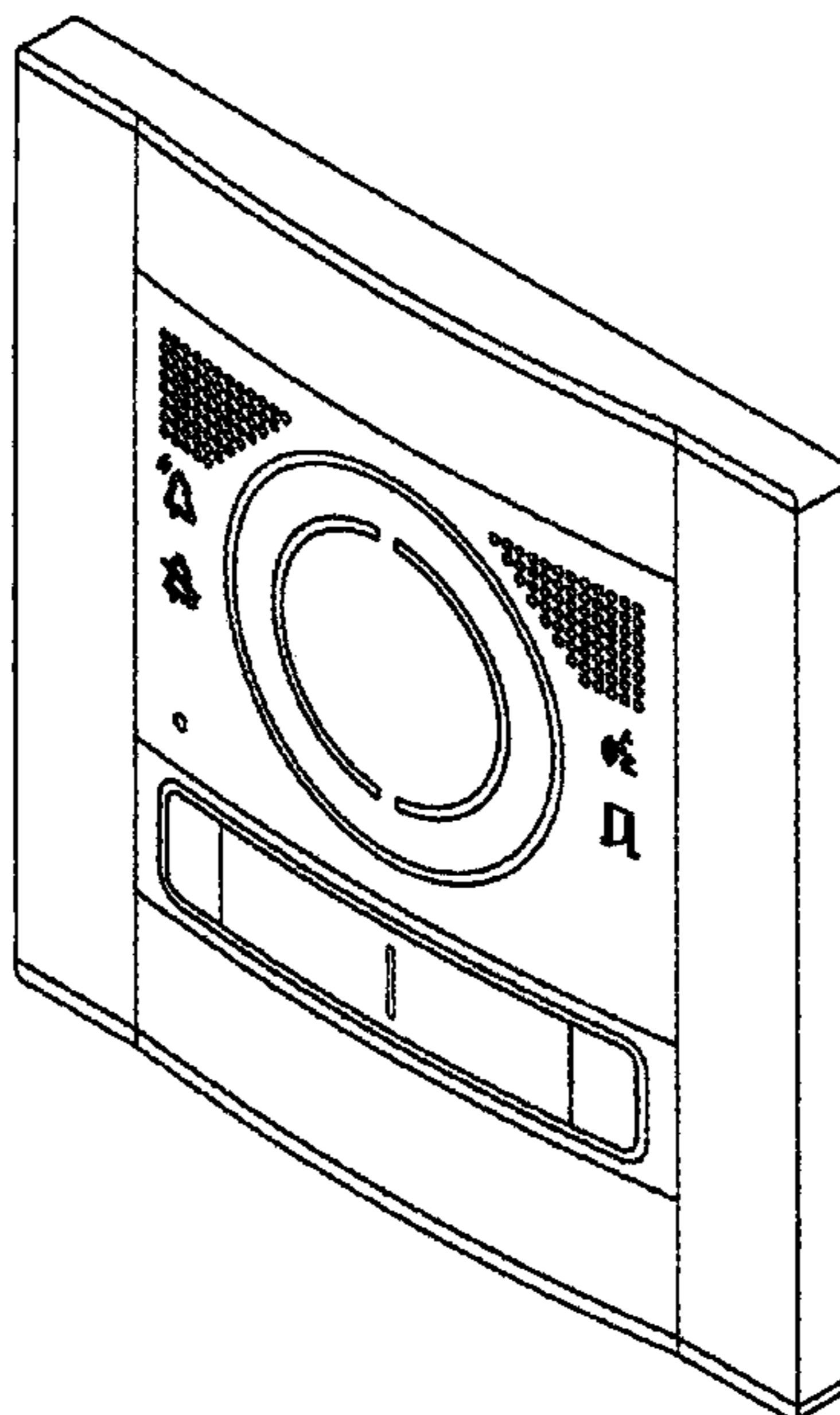
FIG. 1 is a top right, perspective view of an intercom showing my new design;
FIG. 2 is a front elevation view thereof;
FIG. 3 is a right-side elevation view thereof;
FIG. 4 is a left-side elevation view thereof;
FIG. 5 is a top plan view thereof; and,
FIG. 6 is a bottom plan view thereof.
The rear of the intercom forms no part of the claimed design.

(56) **References Cited**

U.S. PATENT DOCUMENTS

D502,156 S * 2/2005 Senda D14/129

1 Claim, 6 Drawing Sheets



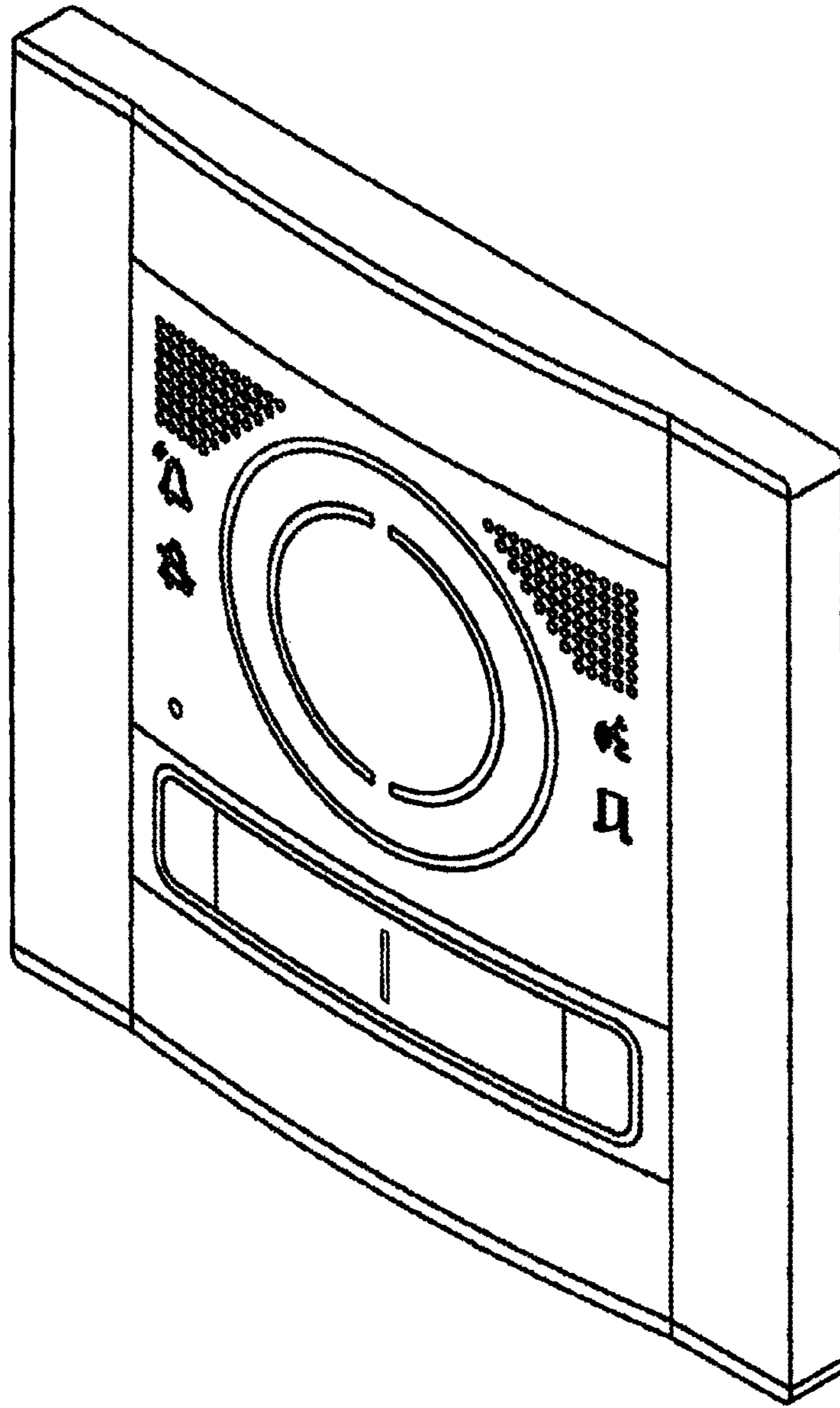


FIG. 1

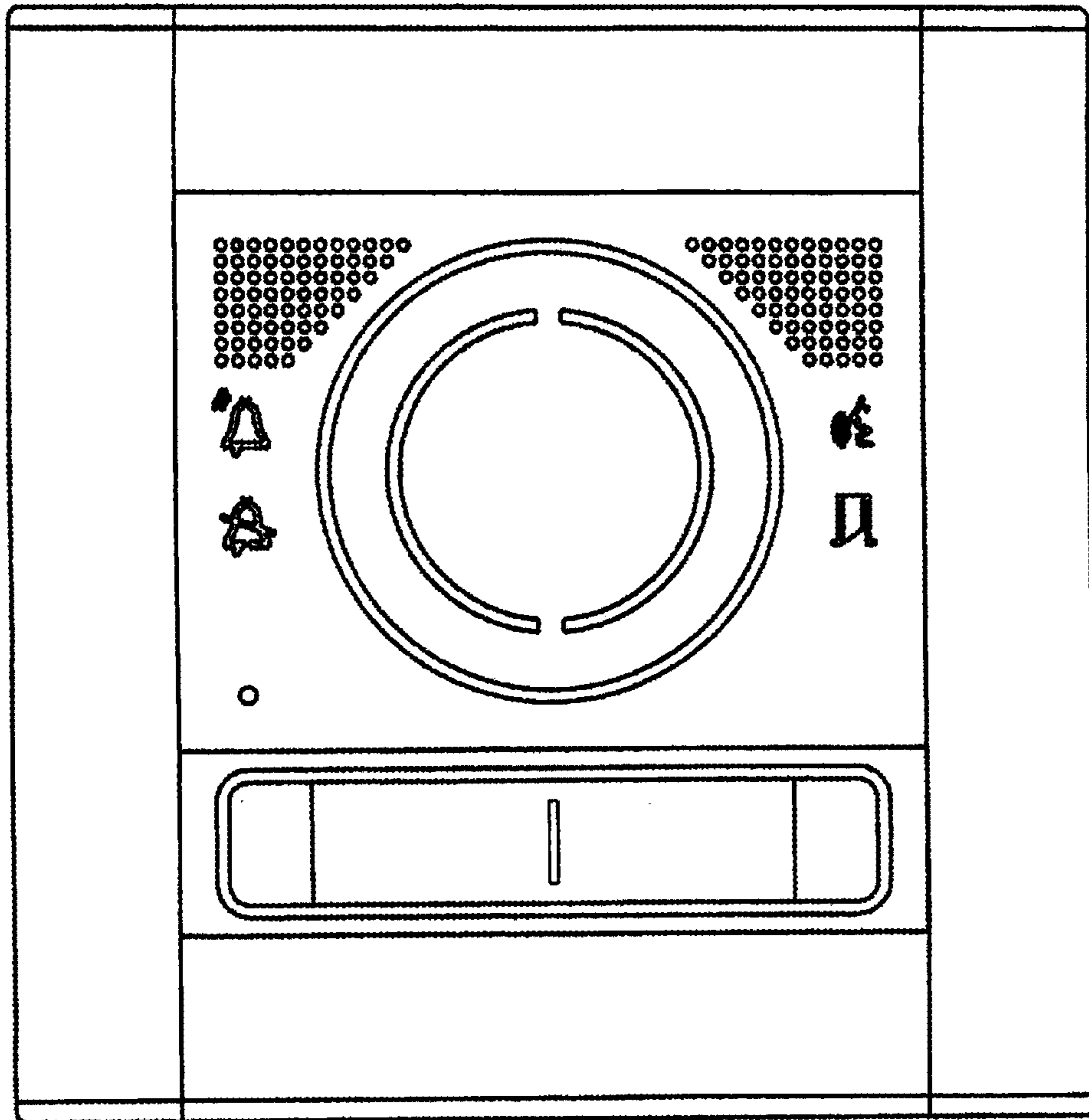


FIG. 2

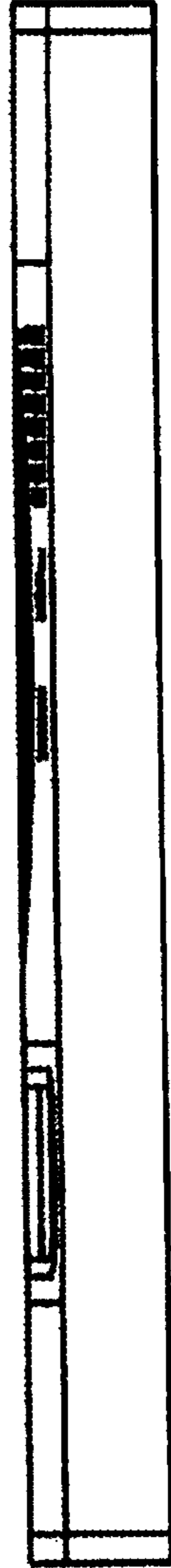


FIG. 3

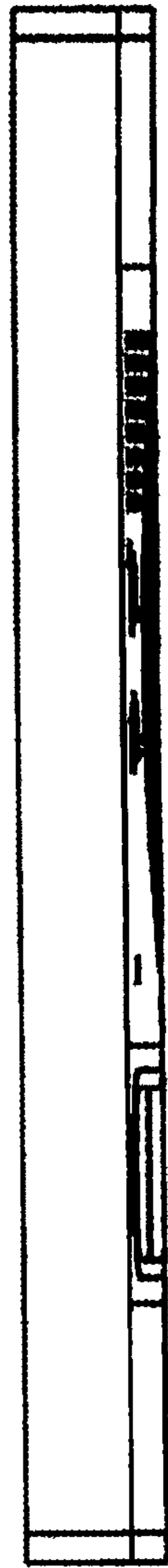


FIG. 4



FIG. 5

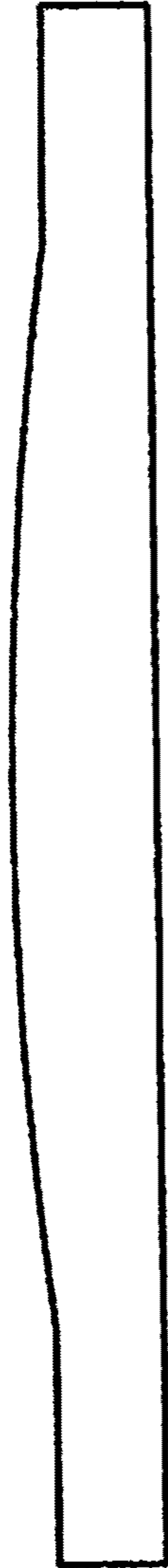


FIG. 6