



US00D761743S

(12) **United States Design Patent**  
**Engler et al.**

(10) **Patent No.:** **US D761,743 S**  
(45) **Date of Patent:** **\*\* Jul. 19, 2016**

(54) **TIMER BLADE**

**DESCRIPTION**

(71) Applicants: **Kevin J. Engler**, St. Charles, IL (US);  
**James E. Pearson**, Downers Grove, IL (US); **Thomas J. Davern**, St. Charles, IL (US)

(72) Inventors: **Kevin J. Engler**, St. Charles, IL (US);  
**James E. Pearson**, Downers Grove, IL (US); **Thomas J. Davern**, St. Charles, IL (US)

(73) Assignee: **Robertshaw Controls Company**, Itasca, IL (US)

(\*\*) Term: **14 Years**

(21) Appl. No.: **29/499,780**

(22) Filed: **Aug. 19, 2014**

(51) **LOC (10) Cl.** ..... **13-03**

(52) **U.S. Cl.**  
USPC ..... **D13/175**

(58) **Field of Classification Search**  
USPC ..... D13/173, 175, 199  
CPC ..... H01H 43/026  
See application file for complete search history.

(56) **References Cited**

**U.S. PATENT DOCUMENTS**

D27,097 S \* 5/1897 Hill ..... 200/271  
2,285,210 A \* 6/1942 Kempton ..... H01H 19/63  
200/6 BB  
D138,283 S \* 7/1944 Ransome ..... D13/175

(Continued)

*Primary Examiner* — Selina Sikder

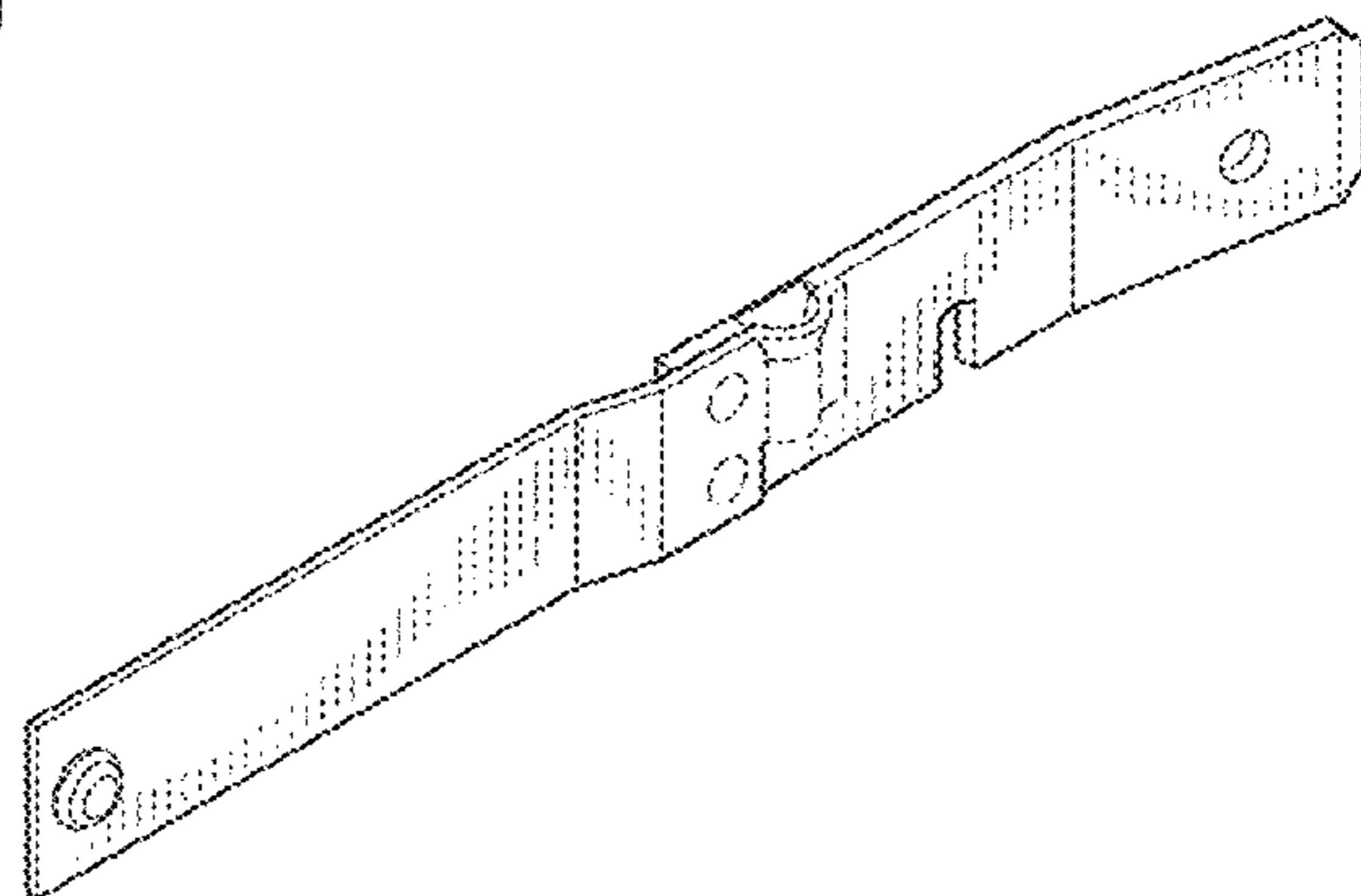
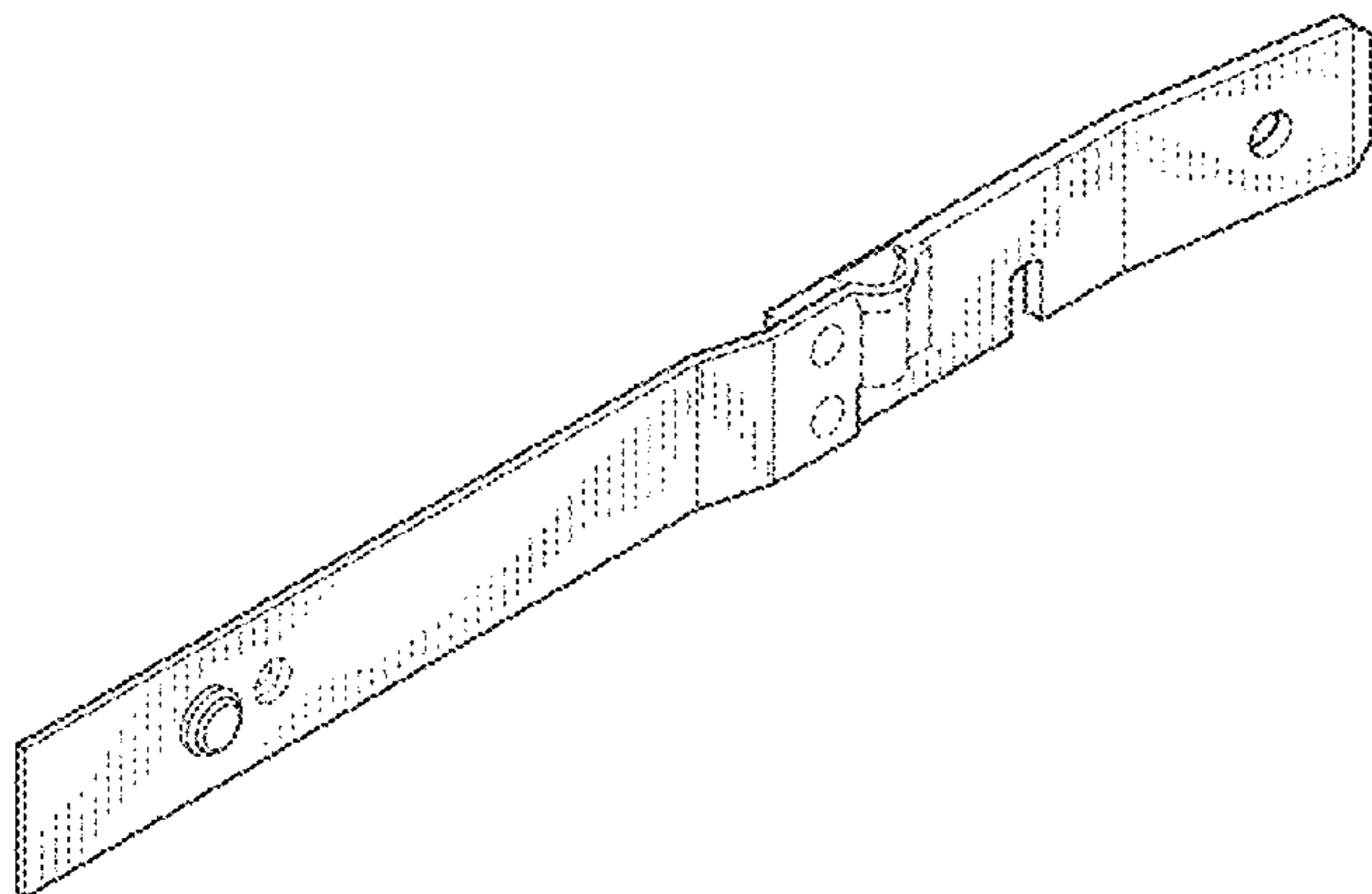
(74) *Attorney, Agent, or Firm* — Reinhart Boerner Van Deuren P.C.

(57) **CLAIM**

We claim the ornamental design for the timer blade, as shown and described.

FIG. 1 is a perspective view of the timer blade;  
FIG. 2 is another perspective view thereof;  
FIG. 3 is a top view thereof;  
FIG. 4 is a bottom view thereof;  
FIG. 5 is a front view thereof;  
FIG. 6 is a back view thereof;  
FIG. 7 is a side view thereof;  
FIG. 8 is a side view thereof showing the side opposite that shown in FIG. 7;  
FIG. 9 is a perspective view of another embodiment of the timer blade;  
FIG. 10 is another perspective view of the embodiment of FIG. 9;  
FIG. 11 is a top view of the embodiment of FIG. 9;  
FIG. 12 is a bottom view of the embodiment of FIG. 9;  
FIG. 13 is a front view of the embodiment of FIG. 9;  
FIG. 14 is a back view of the embodiment of FIG. 9;  
FIG. 15 is a side view of the embodiment of FIG. 9;  
FIG. 16 is a side view of the embodiment of FIG. 9 showing the side opposite that shown in FIG. 15;  
FIG. 17 is a perspective view of another embodiment of the timer blade;  
FIG. 18 is another perspective view of the embodiment of FIG. 17;  
FIG. 19 is a top view of the embodiment of FIG. 17;  
FIG. 20 is a bottom view of the embodiment of FIG. 17;  
FIG. 21 is a front view of the embodiment of FIG. 17;  
FIG. 22 is a back view of the embodiment of FIG. 17;  
FIG. 23 is a side view of the embodiment of FIG. 17; and,  
FIG. 24 is a side view of the embodiment of FIG. 17 showing the side opposite that shown in FIG. 23.  
The broken line showing of portions of the timer blade is for purposes of illustrating unclaimed portions thereof.

**1 Claim, 9 Drawing Sheets**



# US D761,743 S

Page 2

---

(56)

## References Cited

### U.S. PATENT DOCUMENTS

2,758,181 A \* 8/1956 Crouch ..... H01H 19/63  
200/336  
3,308,256 A \* 3/1967 Carlyle ..... H01H 1/22  
200/250  
3,790,726 A \* 2/1974 Brown ..... G04F 3/06  
200/284

RE29,158 E \* 3/1977 Cartier ..... H01H 43/026  
200/19.13  
4,604,504 A \* 8/1986 Stout ..... H01H 43/026  
200/19.15  
4,888,457 A \* 12/1989 Miyakawa ..... H01H 13/18  
200/283  
5,834,718 A \* 11/1998 Amonett ..... H01H 43/125  
200/38 B

\* cited by examiner

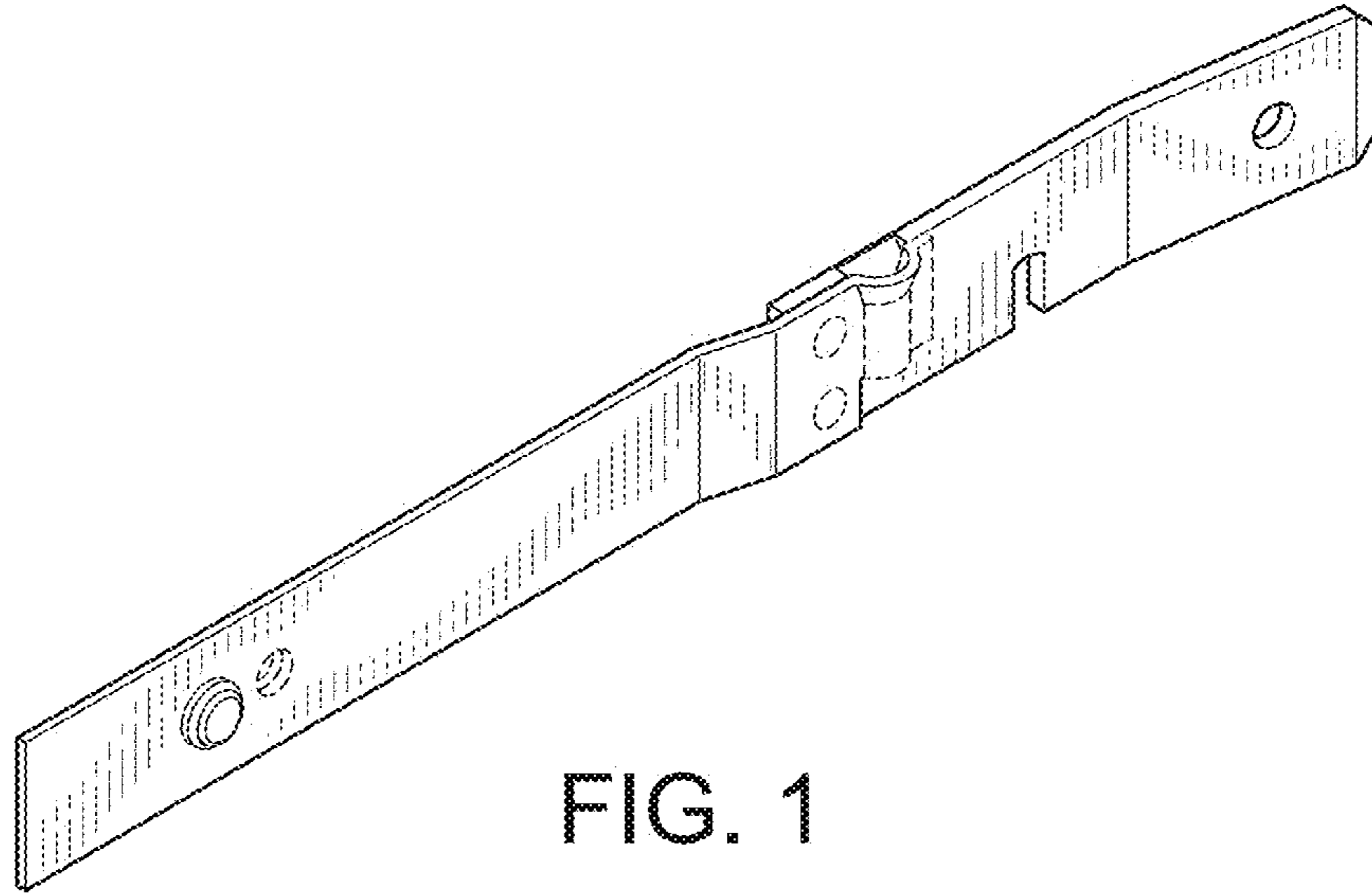


FIG. 1

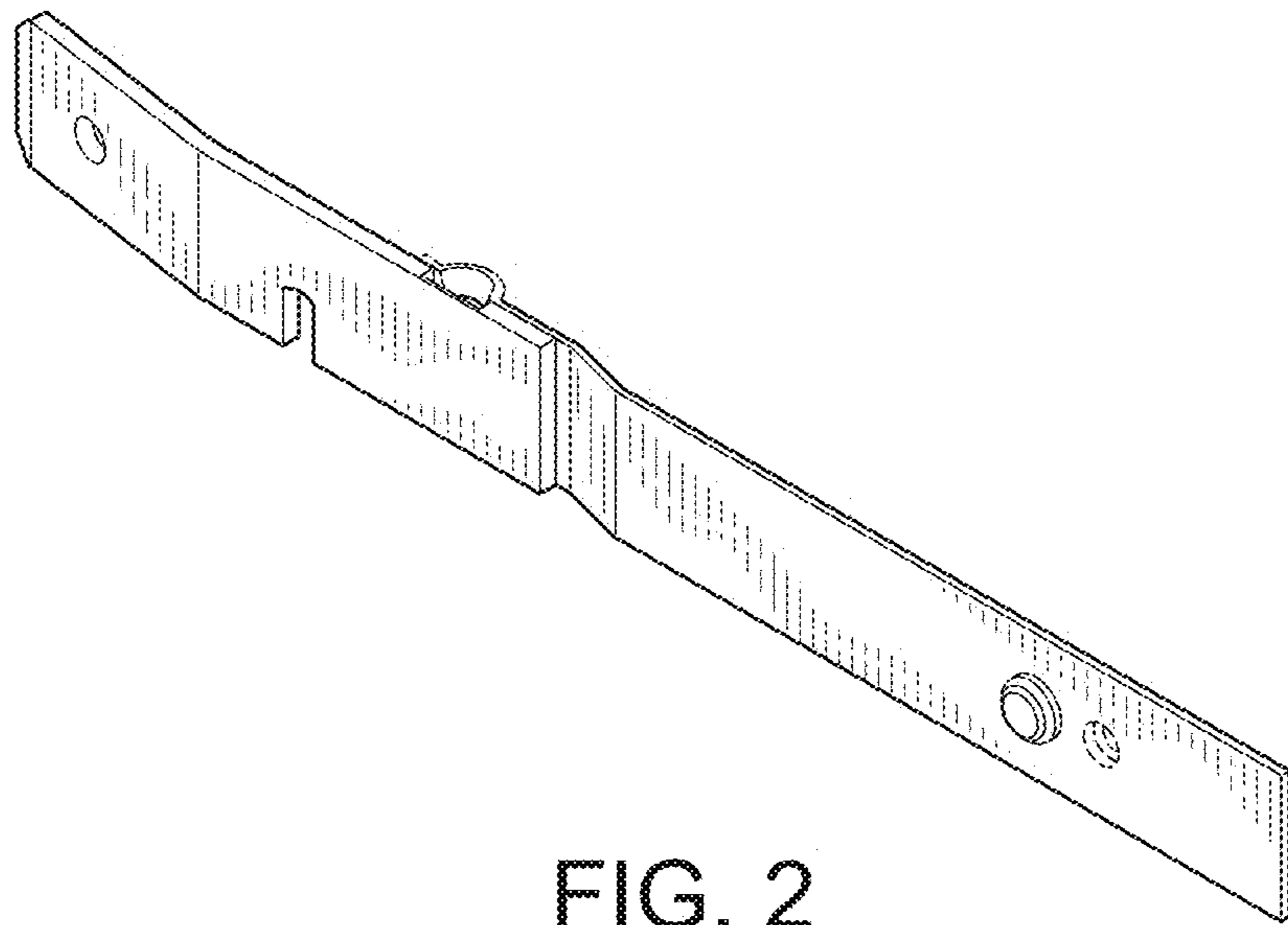


FIG. 2

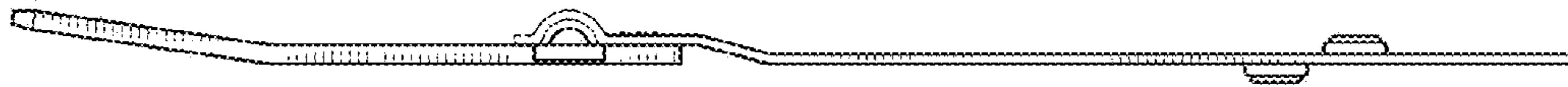


FIG. 3

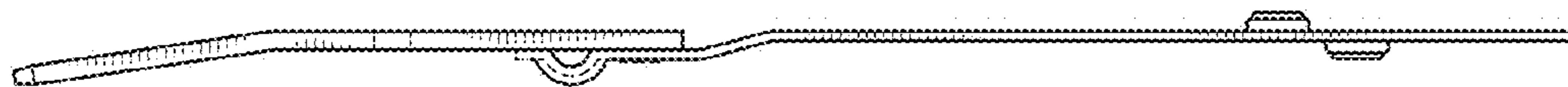


FIG. 4



FIG. 5



FIG. 6



FIG. 7

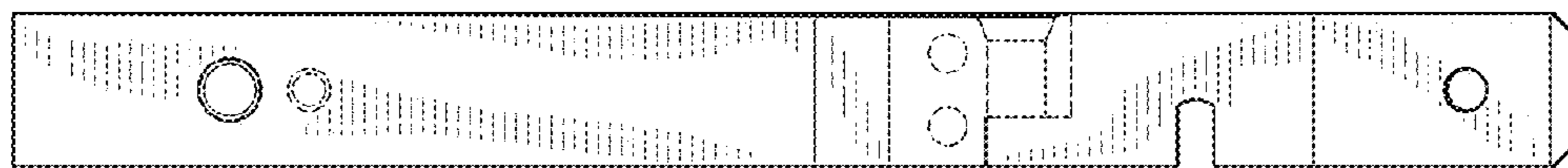


FIG. 8

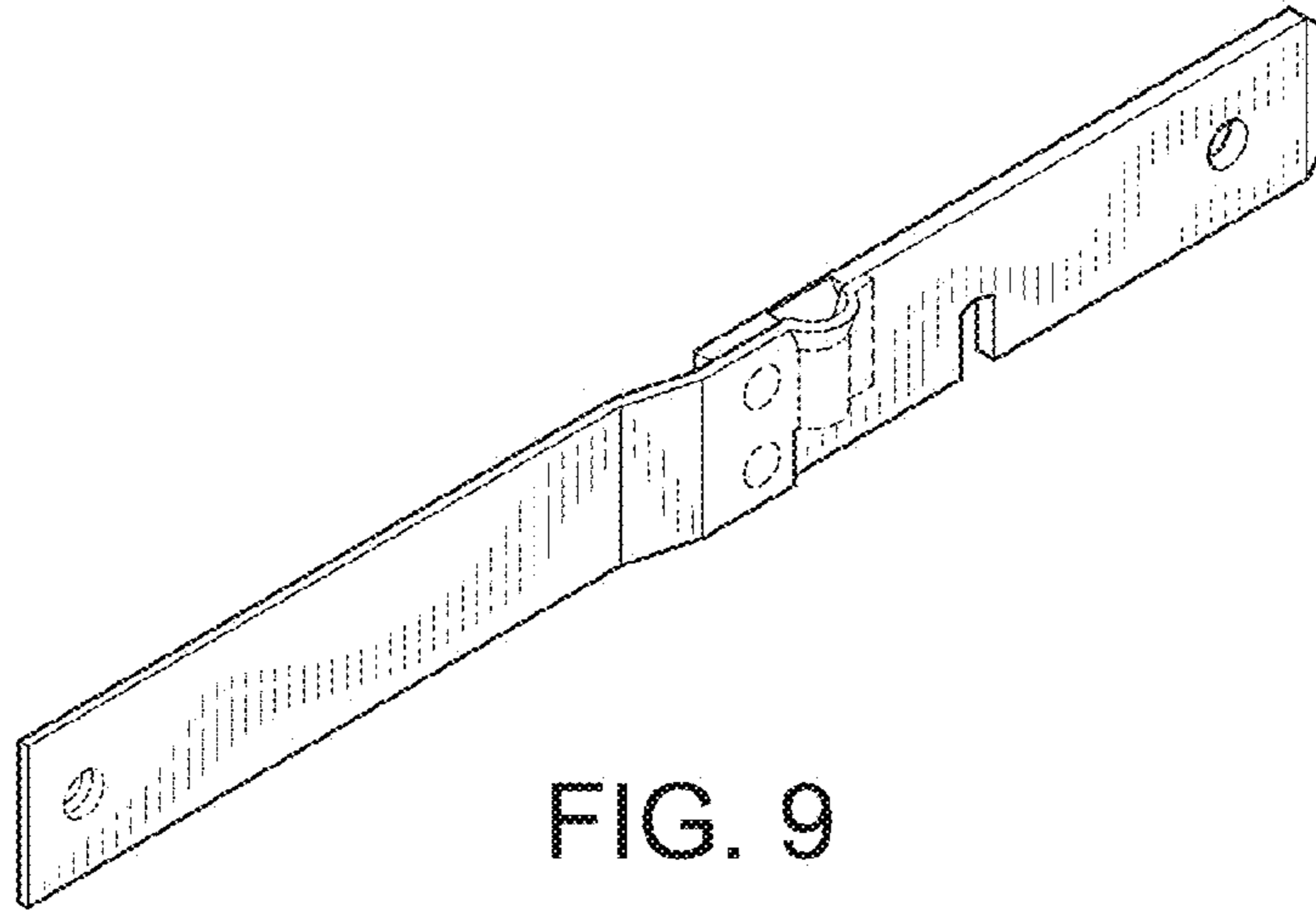


FIG. 9

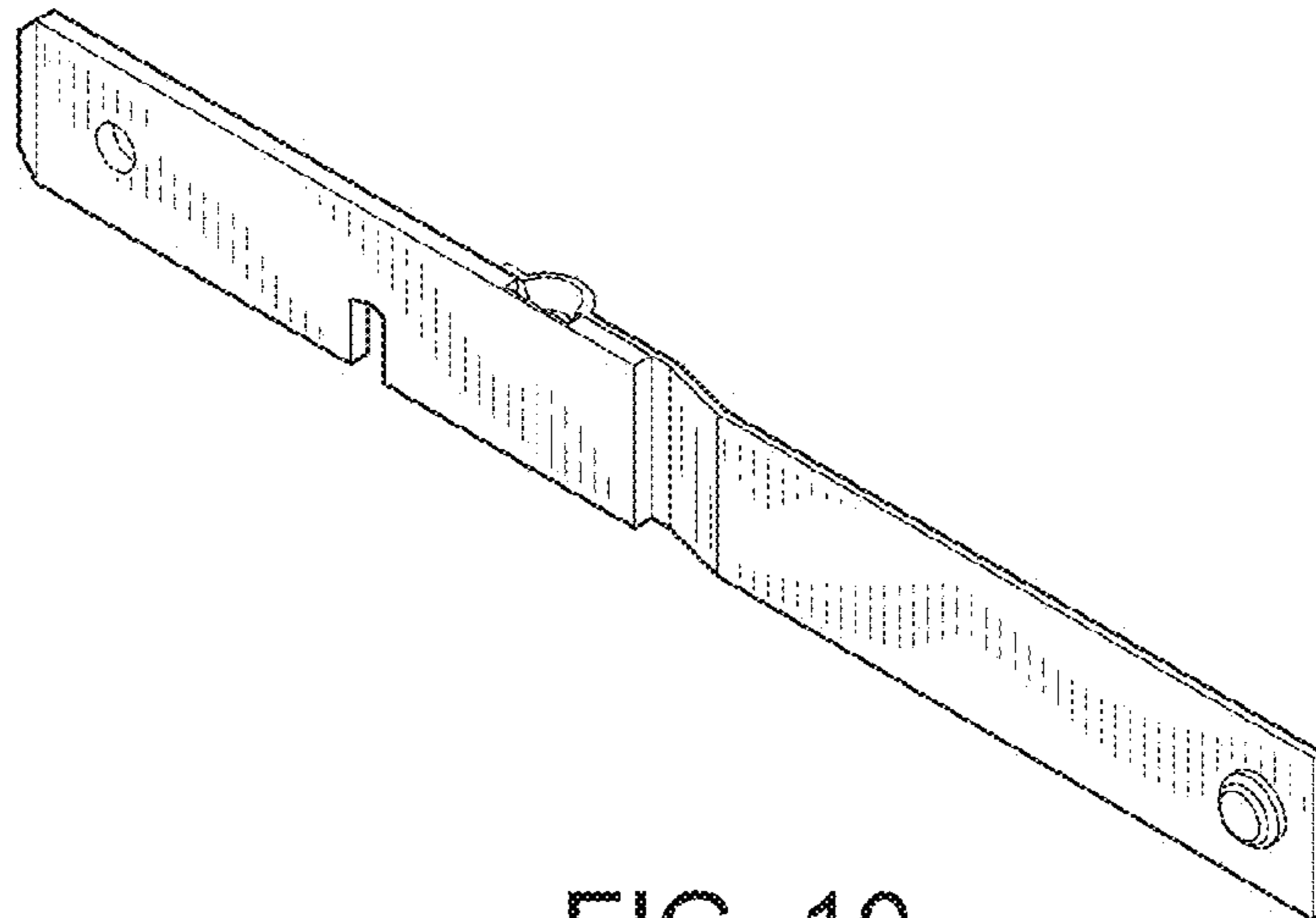


FIG. 10



FIG. 11

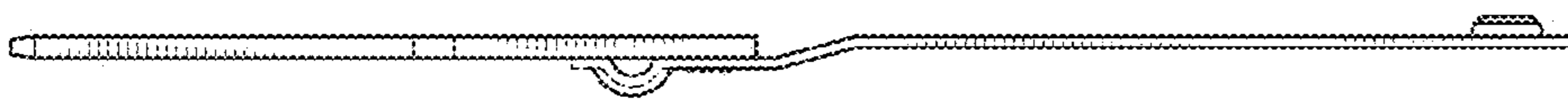


FIG. 12

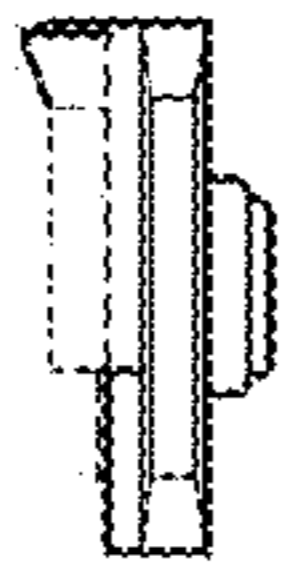


FIG. 13

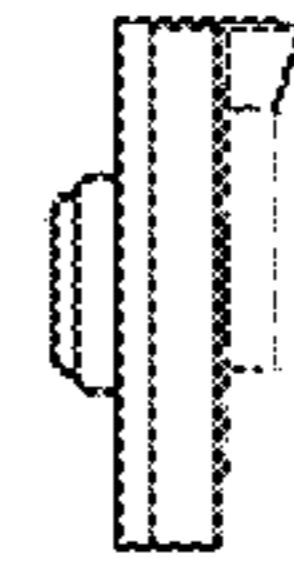


FIG. 14

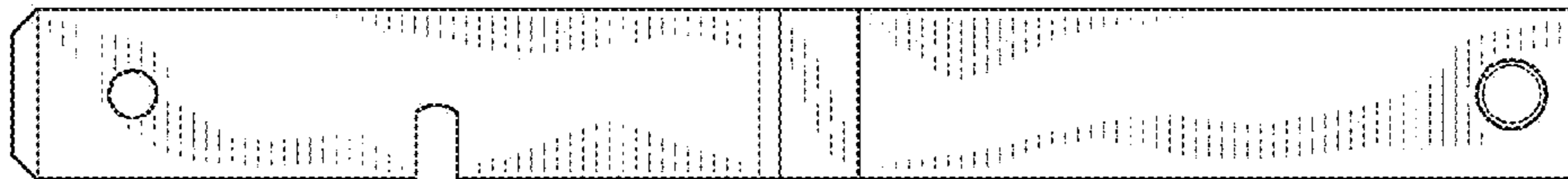


FIG. 15

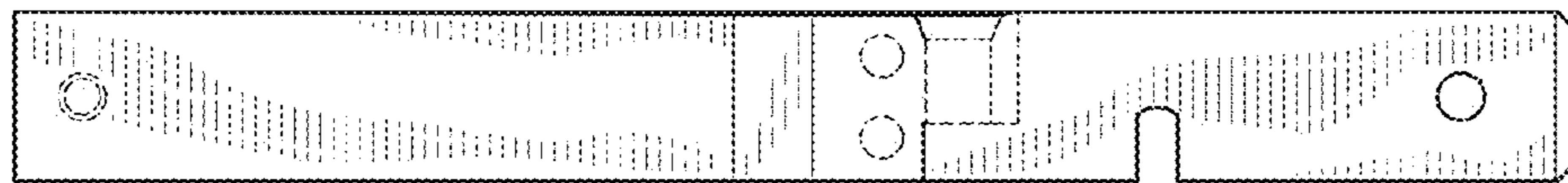


FIG. 16



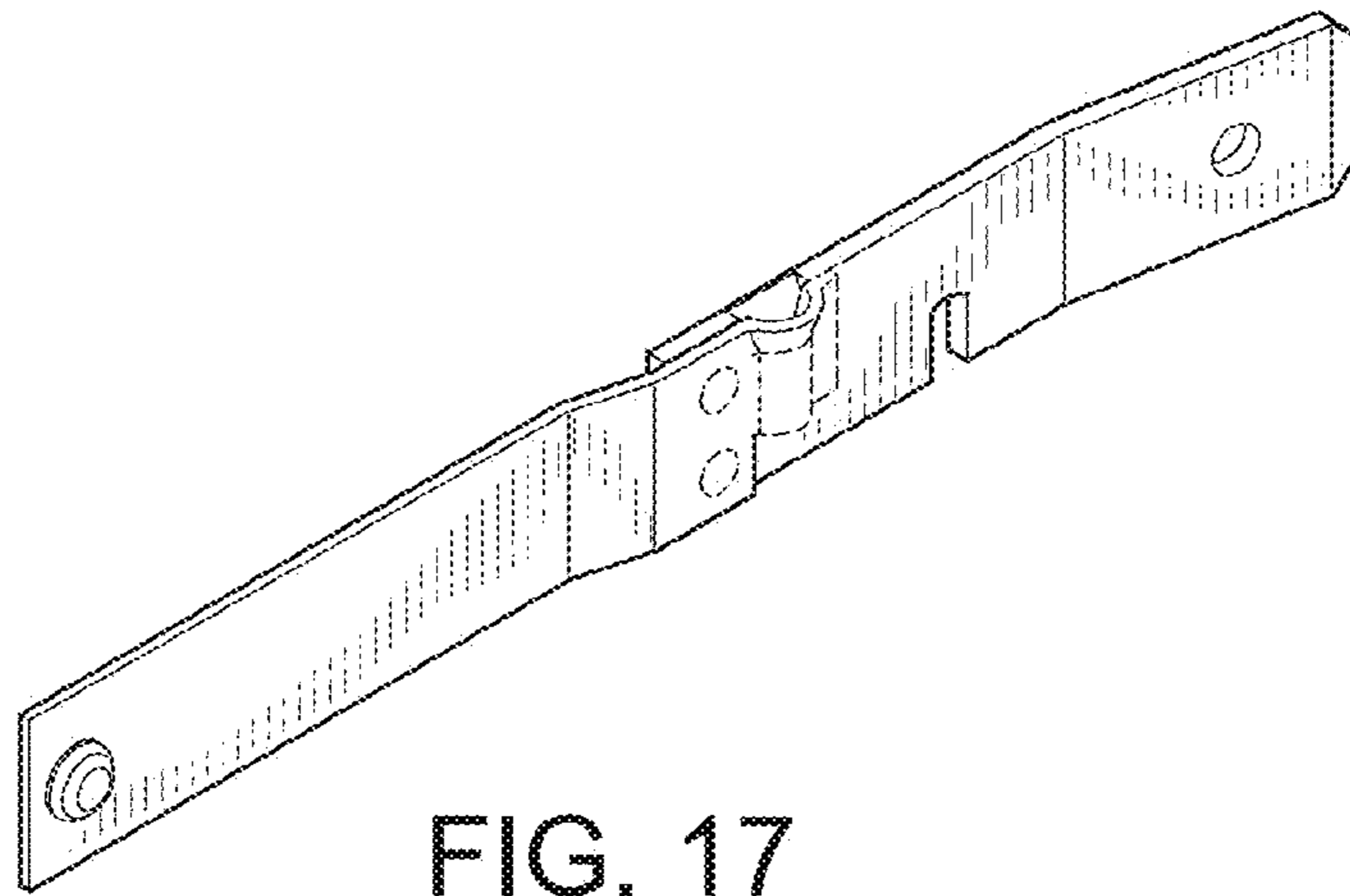


FIG. 17

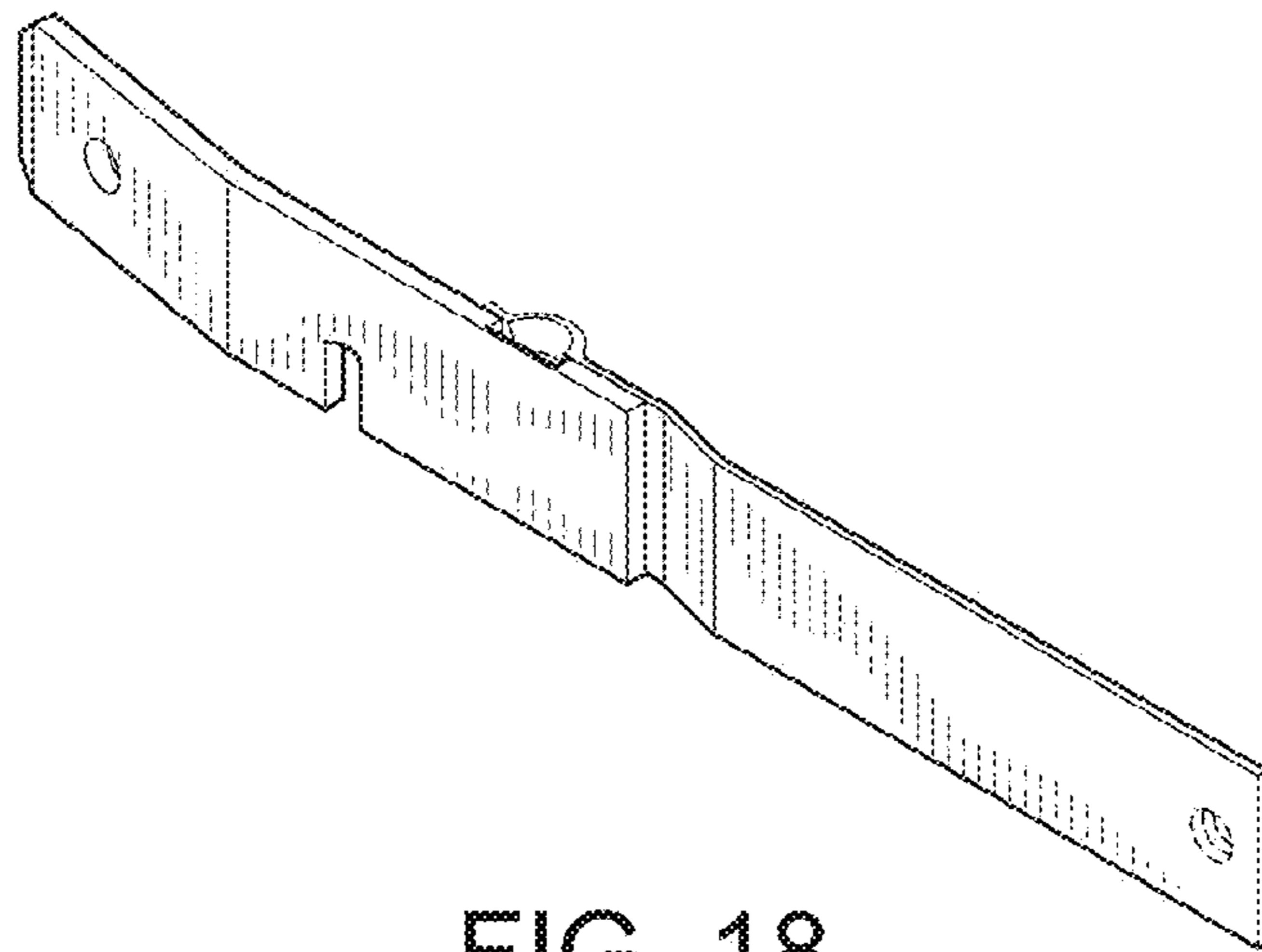


FIG. 18



FIG. 19

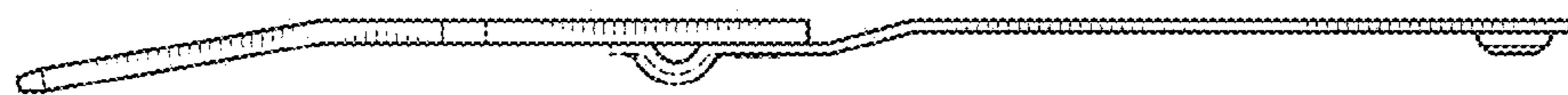


FIG. 20



FIG. 21



FIG. 22

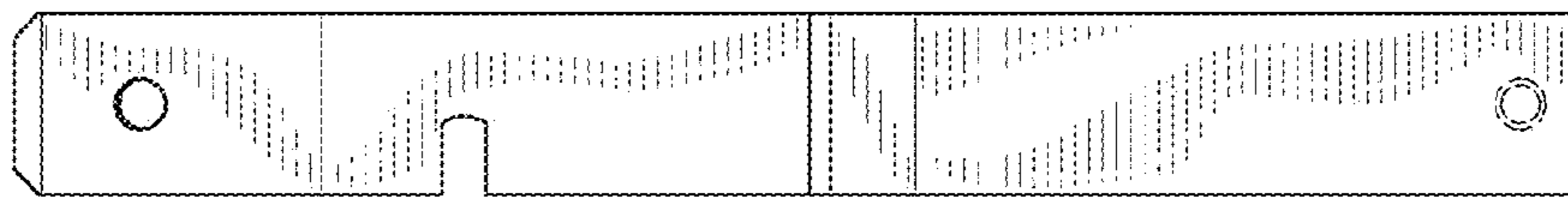


FIG. 23

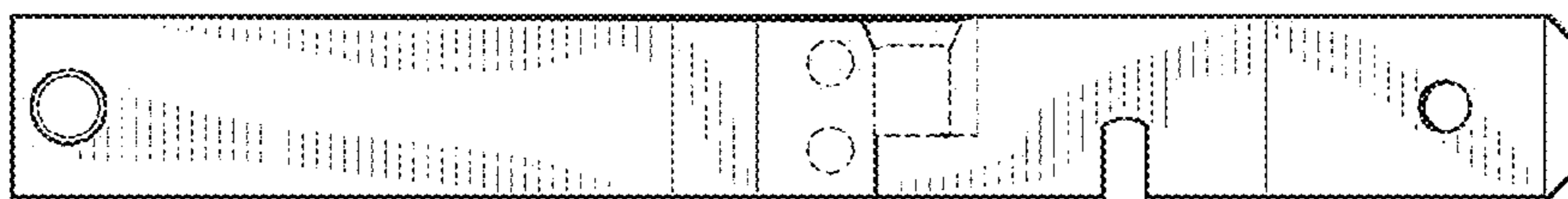


FIG. 24