



US00D761742S

(12) **United States Design Patent**
Landerholm et al.

(10) **Patent No.:** **US D761,742 S**
(45) **Date of Patent:** **** Jul. 19, 2016**

(54) **OPERATING UNIT**

(71) Applicant: **LINAK A/S**, Nordborg (DK)

(72) Inventors: **John Landerholm**, Risskov (DK); **Peter Boldsen Lund**, Aarhus (DK)

(73) Assignee: **Linak A/S**, Nordborg (DK)

(**) Term: **14 Years**

(21) Appl. No.: **29/514,837**

(22) Filed: **Jan. 16, 2015**

(30) **Foreign Application Priority Data**

Jul. 18, 2014 (DK) 2014 00069

(51) **LOC (10) CL.** **14-03**

(52) **U.S. CL.**
USPC **D13/168**

(58) **Field of Classification Search**
USPC D13/162, 164, 168; D14/218
CPC H03J 1/0025; H03J 9/00; H03J 9/02;
H03J 9/04; H03J 9/06; H01H 9/02; H01H
9/0214; H01H 9/0228; H01H 9/0235; H04B
1/202; G05B 11/01; G08C 17/00; G08C
17/02; G08C 23/04; A61G 7/018; A61G
13/02

See application file for complete search history.

(56) **References Cited**

U.S. PATENT DOCUMENTS

D362,660 S * 9/1995 Fromson D13/168
D401,911 S * 12/1998 Hwang D13/168
5,926,002 A * 7/1999 Cavanaugh A47C 31/008
297/284.3
5,969,488 A * 10/1999 Fromson A61G 7/018
318/16
6,693,552 B1 * 2/2004 Herzig H01H 9/0214
340/13.32
D496,031 S * 9/2004 Ma D10/104.1
7,089,612 B2 * 8/2006 Rocher A61G 13/08
5/600
D548,195 S * 8/2007 Poulet D13/168

D572,205 S 7/2008 Landerholm et al.
7,473,860 B2 * 1/2009 Sample H01H 9/0214
200/302.1
D595,668 S * 7/2009 Lasky D13/168
D600,654 S * 9/2009 Liao D13/164
D617,744 S * 6/2010 Landerholm D13/168
D620,456 S * 7/2010 Akana D13/168
D621,371 S * 8/2010 Sheppard D13/168
D625,693 S * 10/2010 Charleux D13/168
D691,567 S 10/2013 Knudsen
8,621,686 B2 * 1/2014 McCullar A47C 20/041
5/412
8,910,333 B2 * 12/2014 Wu A61G 7/05
362/130
D728,531 S * 5/2015 Eriksen D14/218
2009/0095602 A1 * 4/2009 Jensen H01H 9/0214
200/42.02
2009/0160672 A1 * 6/2009 Winther H01H 13/20
340/4.31
2014/0009917 A1 * 1/2014 Westermann A61G 7/018
362/130

* cited by examiner

Primary Examiner — Selina Sikder

(74) *Attorney, Agent, or Firm* — Dykema Gossett PLLC

(57) **CLAIM**

The ornamental design for an operating unit, as shown and described.

DESCRIPTION

FIG. 1 is a perspective front view of a first embodiment of an operating unit showing our new and ornamental design, FIG. 2 is a perspective rear view thereof, FIG. 3 is a front view thereof, FIG. 4 is a rear view thereof, FIG. 5 is a first side view thereof, FIG. 6 is a second, opposite side view thereof, FIG. 7 is a first end view thereof; and FIG. 8 is a second, opposite end view thereof, FIG. 9 is a perspective front view of a second embodiment of an operating unit showing our new and ornamental design, FIG. 10 is a perspective rear view thereof, FIG. 11 is a front view thereof, FIG. 12 is a rear view thereof, FIG. 13 is a first side view thereof,

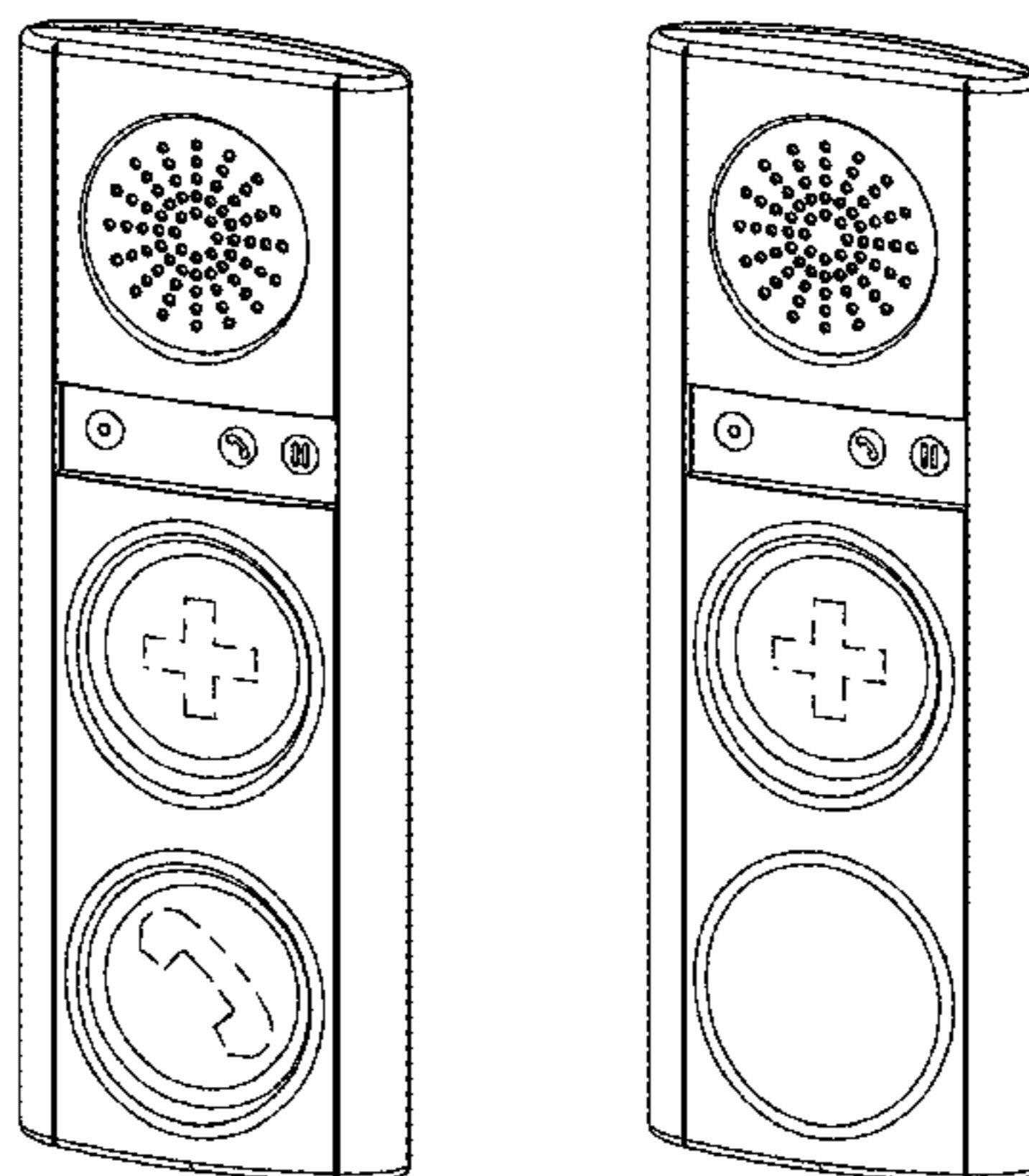


FIG. 14 is a second, opposite side view thereof,
FIG. 15 is a first end view thereof, and
FIG. 16 is a second, opposite end view thereof,
FIG. 17 is a perspective front view of a third embodiment of an operating unit showing our new and ornamental design,
FIG. 18 is a perspective rear view thereof,
FIG. 19 is a front view thereof,
FIG. 20 is a rear view thereof,
FIG. 21 is a first side view thereof,
FIG. 22 is a second, opposite side view thereof,
FIG. 23 is a first end view thereof, and
FIG. 24 is a second, opposite end view thereof,
FIG. 25 is a perspective front view of a fourth embodiment of an operating unit showing our new and ornamental design,
FIG. 26 is a perspective rear view thereof,
FIG. 27 is a front view thereof,
FIG. 28 is a rear view thereof,
FIG. 29 is a first side view thereof,
FIG. 30 is a second, opposite side view thereof,
FIG. 31 is a first end view thereof, and
FIG. 32 is a second, opposite end view thereof,
FIG. 33 is a perspective front view of a fifth embodiment of an operating unit showing our new and ornamental design,
FIG. 34 is a perspective rear view thereof,
FIG. 35 is a front view thereof,
FIG. 36 is a rear view thereof,
FIG. 37 is a first side view thereof,
FIG. 38 is a second, opposite side view thereof,
FIG. 39 is a first end view thereof, and
FIG. 40 is a second, opposite end view thereof,

FIG. 41 is a perspective front view of a sixth embodiment of an operating unit showing our new and ornamental design,
FIG. 42 is a perspective rear view thereof,
FIG. 43 is a front view thereof,
FIG. 44 is a rear view thereof,
FIG. 45 is a first side view thereof,
FIG. 46 is a second, opposite side view thereof,
FIG. 47 is a first end view thereof, and
FIG. 48 is a second, opposite end view thereof,
FIG. 49 is a perspective front view of a seventh embodiment of an operating unit showing our new and ornamental design,
FIG. 50 is a perspective rear view thereof,
FIG. 51 is a front view thereof,
FIG. 52 is a rear view thereof,
FIG. 53 is a first side view thereof,
FIG. 54 is a second, opposite side view thereof,
FIG. 55 is a first end view thereof, and
FIG. 56 is a second, opposite end view thereof,
FIG. 57 is a perspective front view of an eighth embodiment of an operating unit showing our new and ornamental design,
FIG. 58 is a perspective rear view thereof,
FIG. 59 is a front view thereof,
FIG. 60 is a rear view thereof,
FIG. 61 is a first side view thereof,
FIG. 62 is a second, opposite side view thereof,
FIG. 63 is a first end view thereof; and,
FIG. 64 is a second, opposite end view thereof.
The broken lines shown in the drawing views is for the purpose of illustrating environmental structure and forms no part of the claimed design.

1 Claim, 16 Drawing Sheets

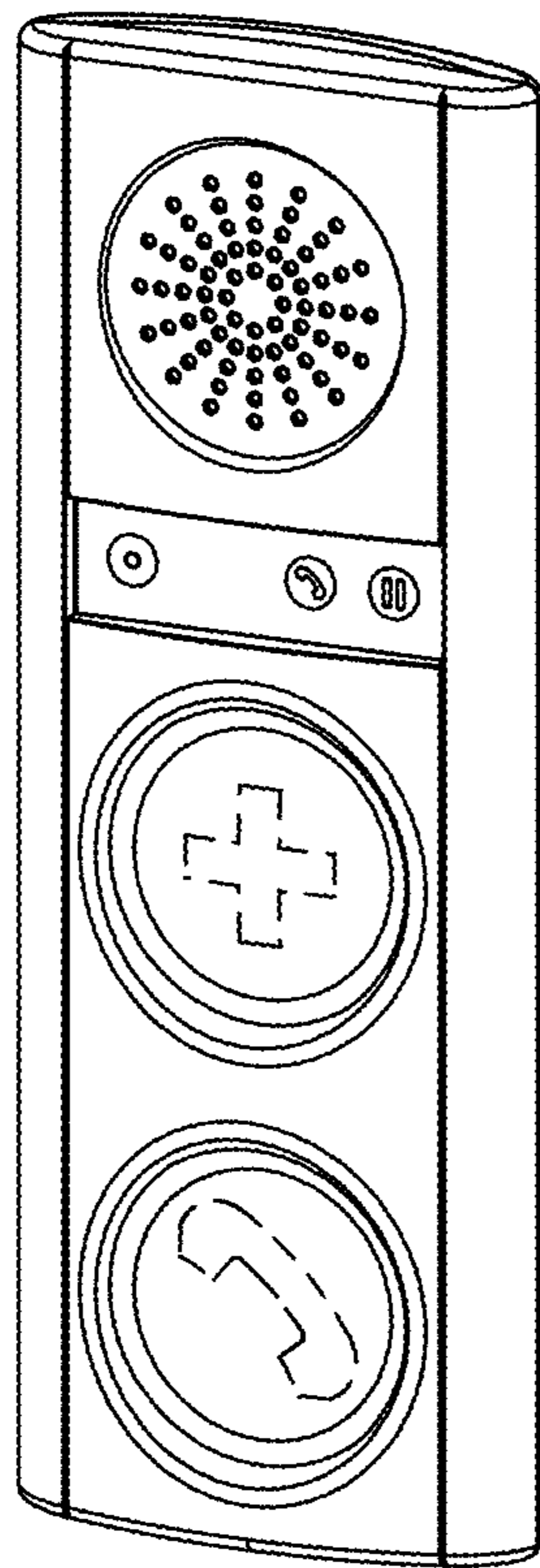


Fig. 1

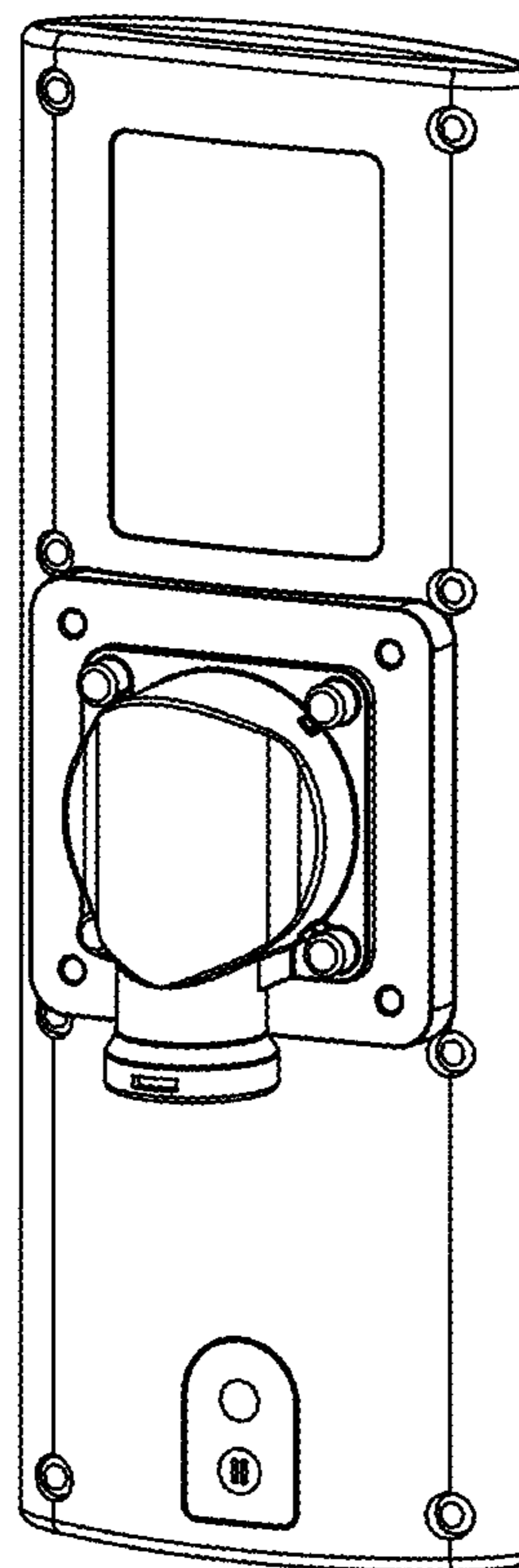


Fig. 2

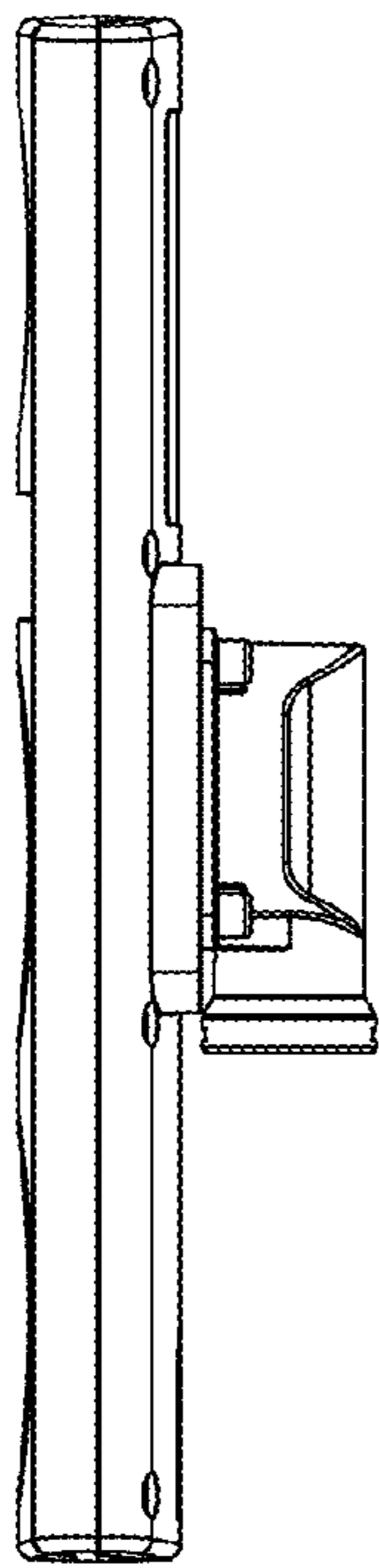


Fig. 6

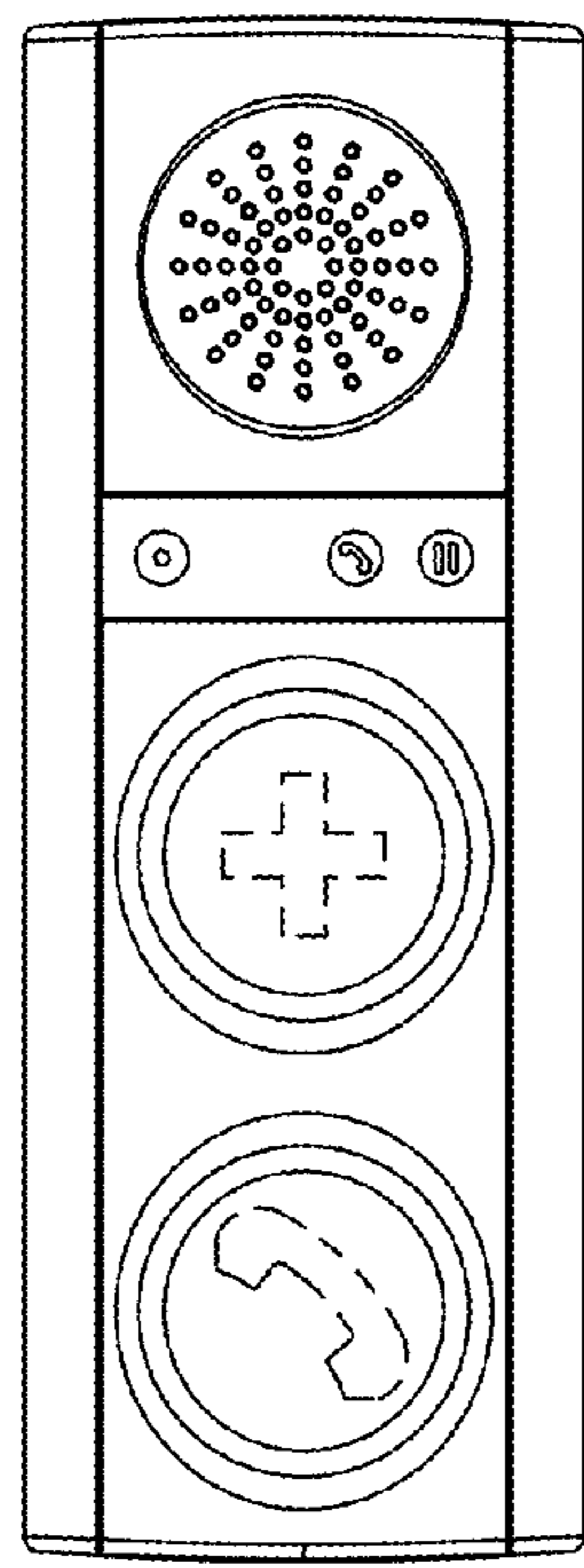


Fig. 3

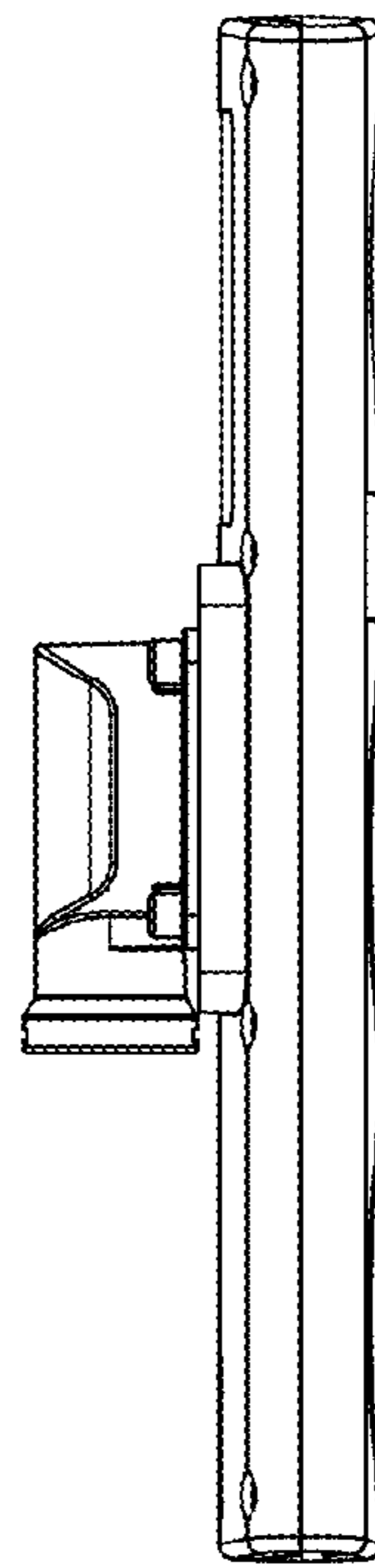


Fig. 5

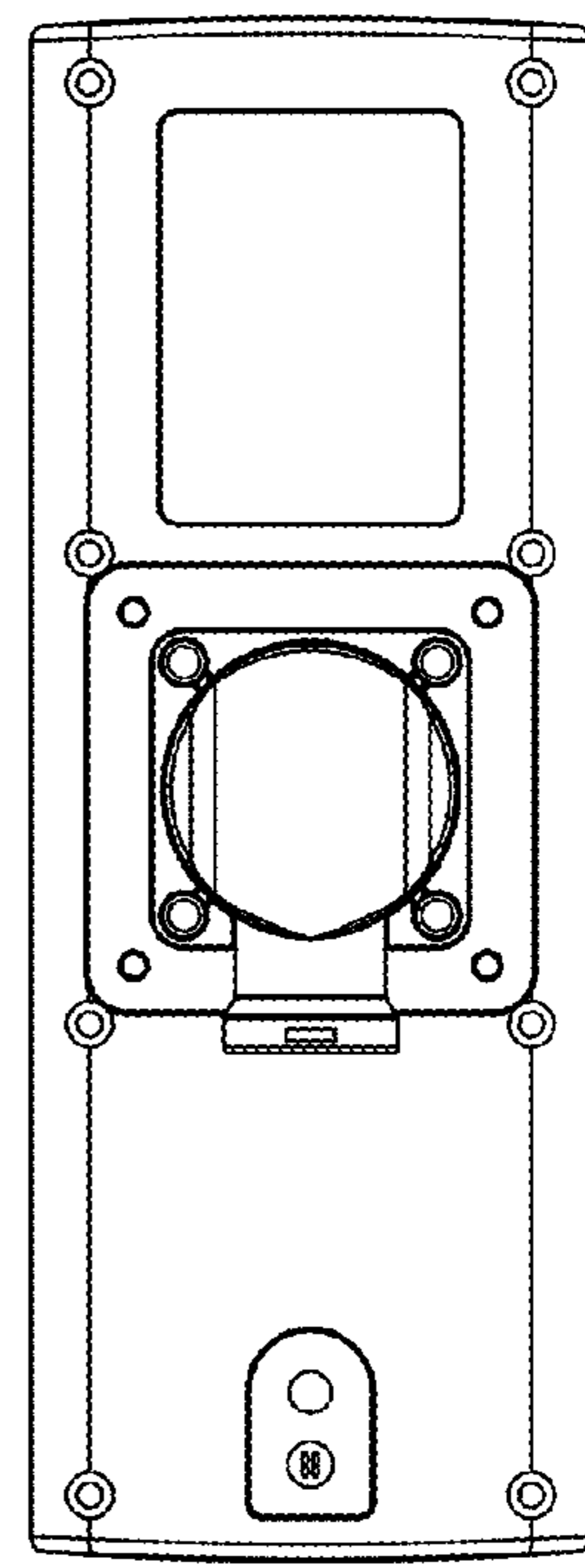


Fig. 4

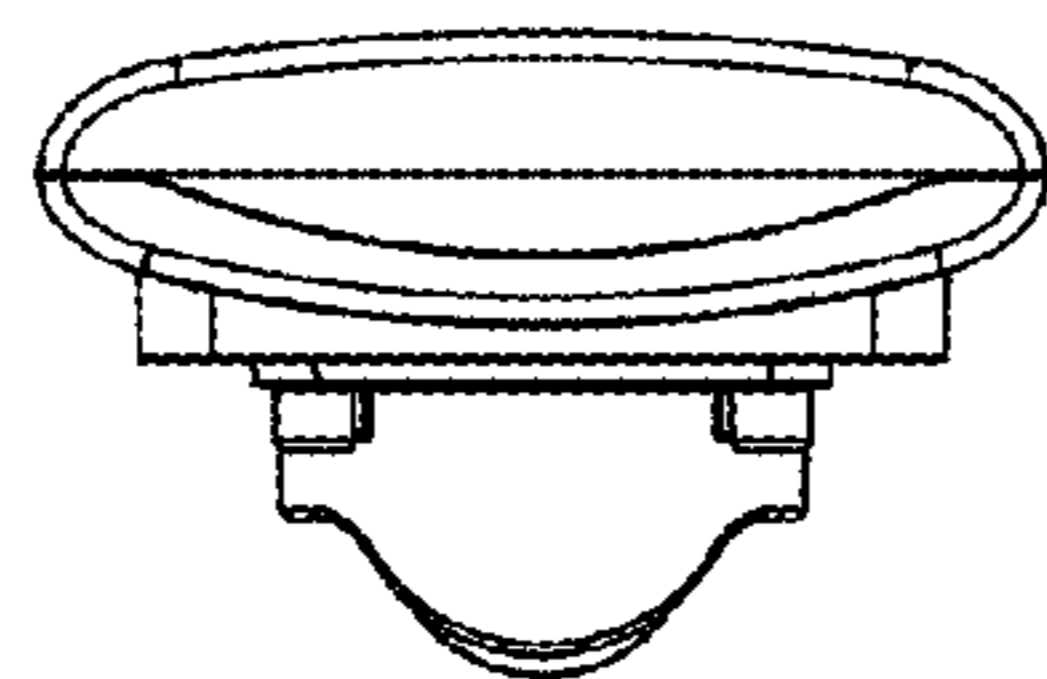


Fig. 7

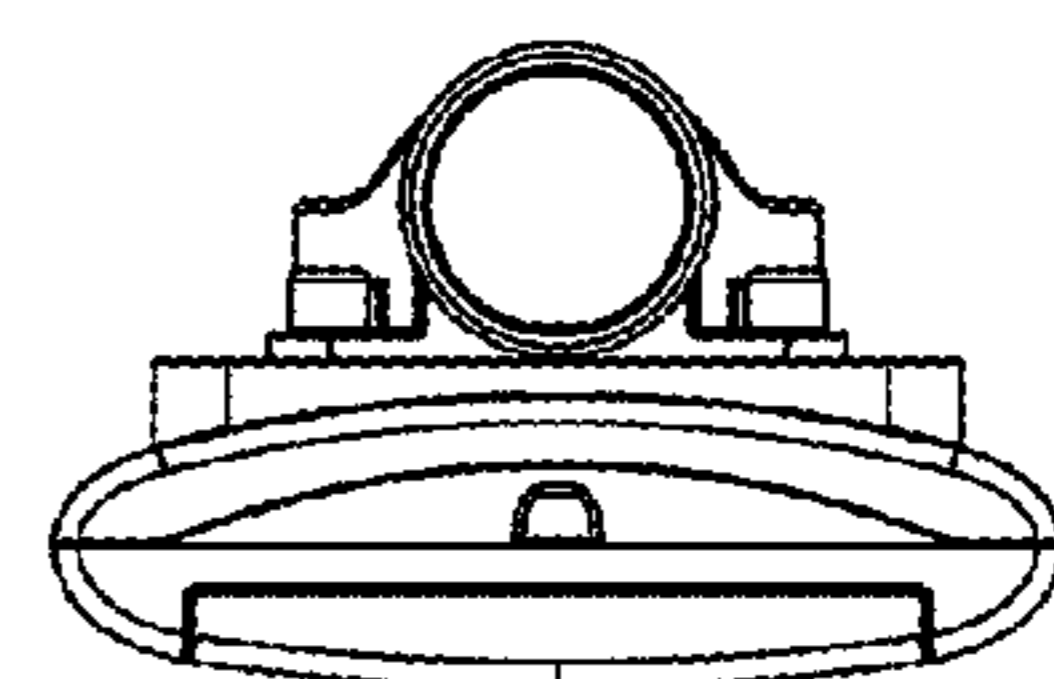


Fig. 8

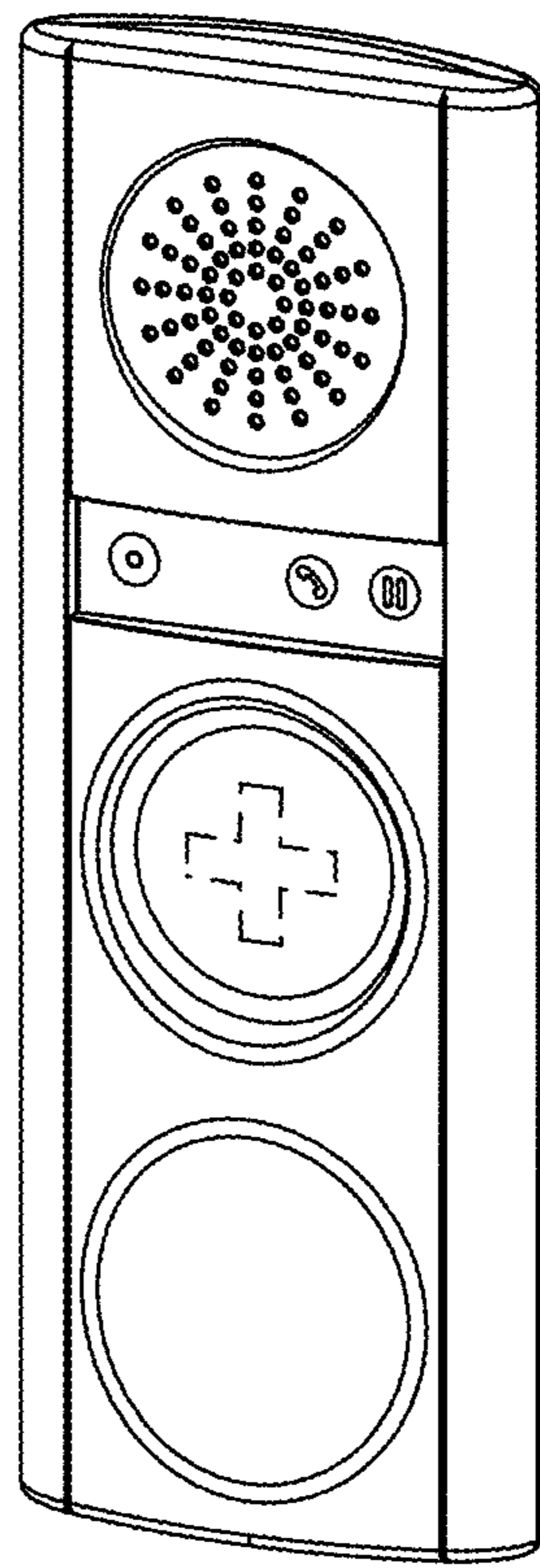


Fig. 9

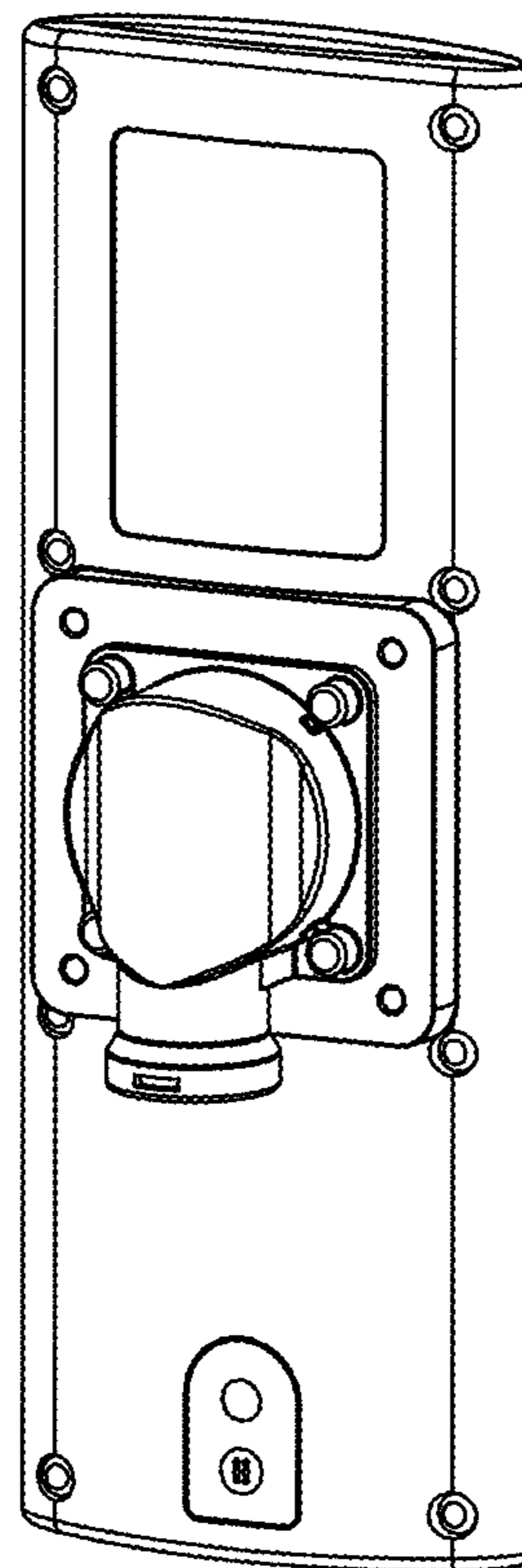


Fig. 10

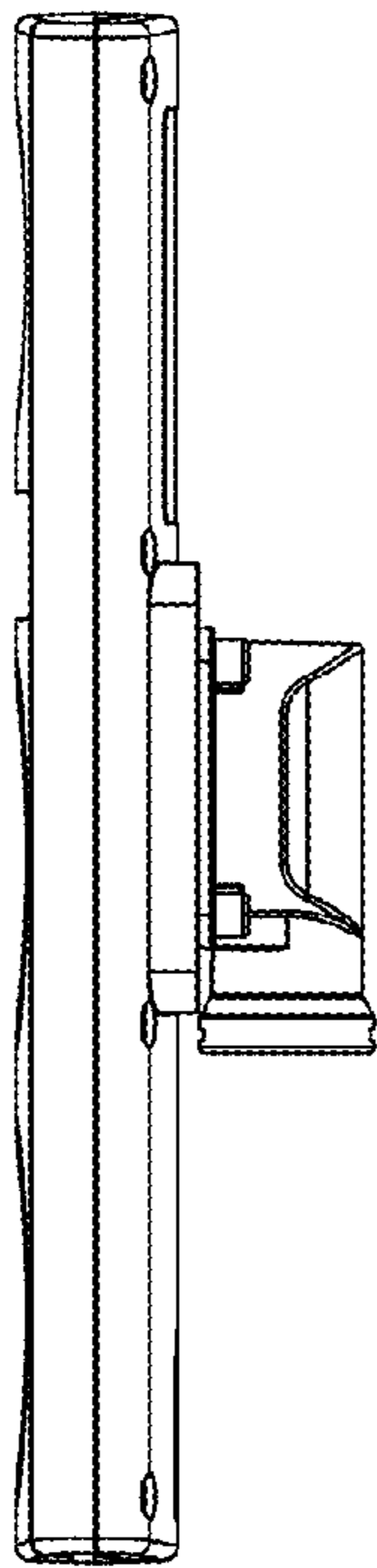


Fig. 14

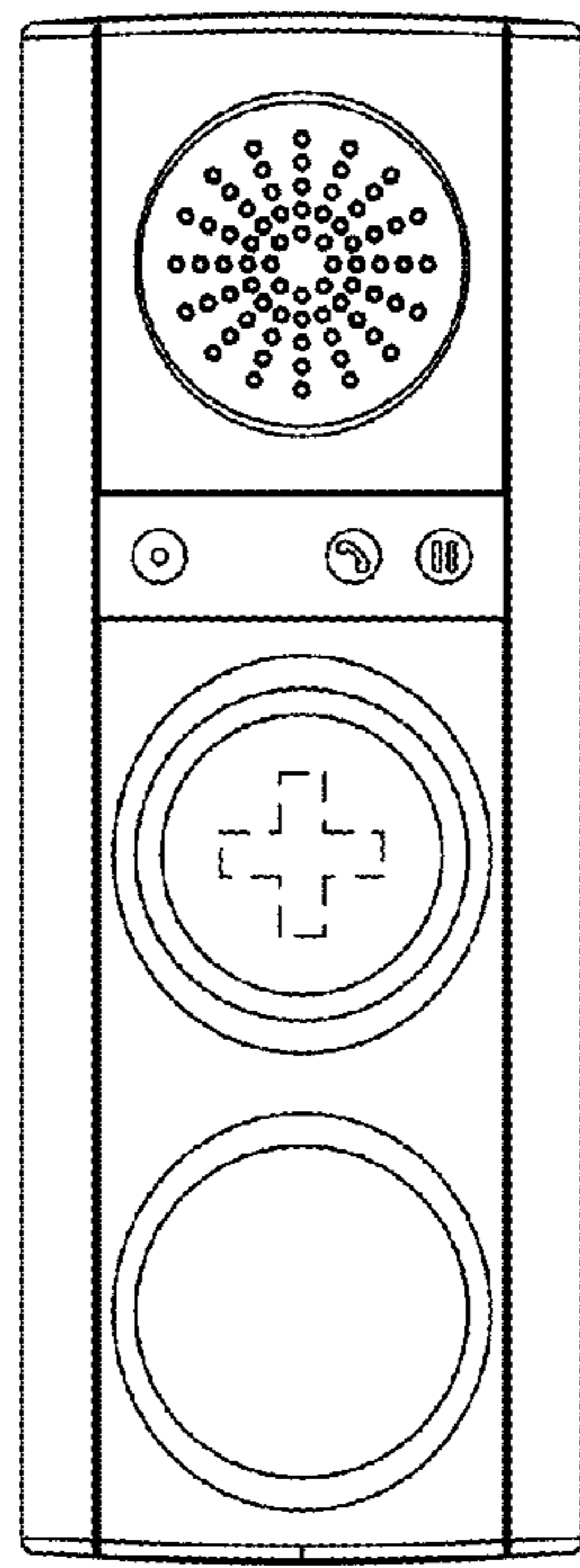


Fig. 11

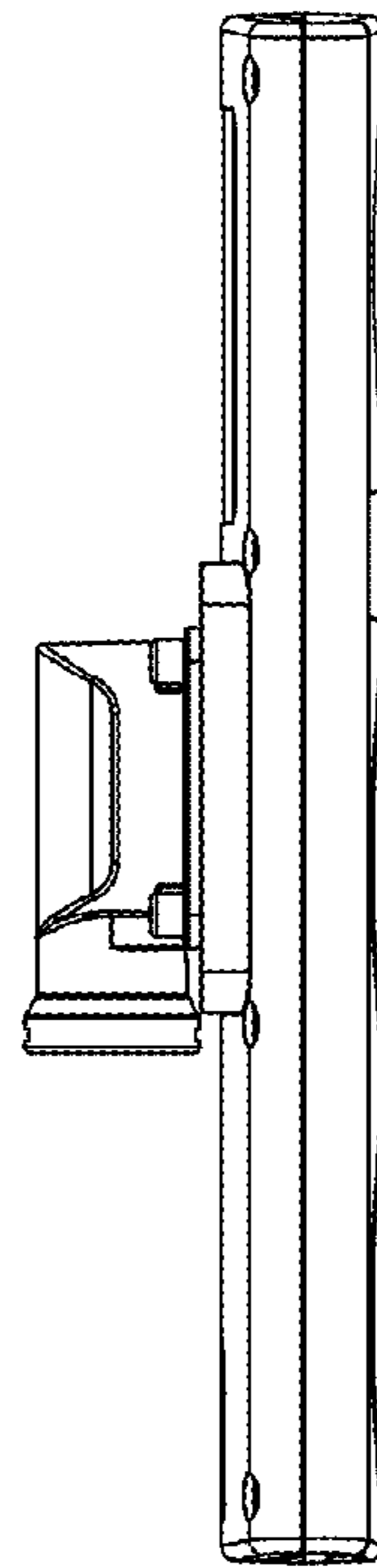


Fig. 13

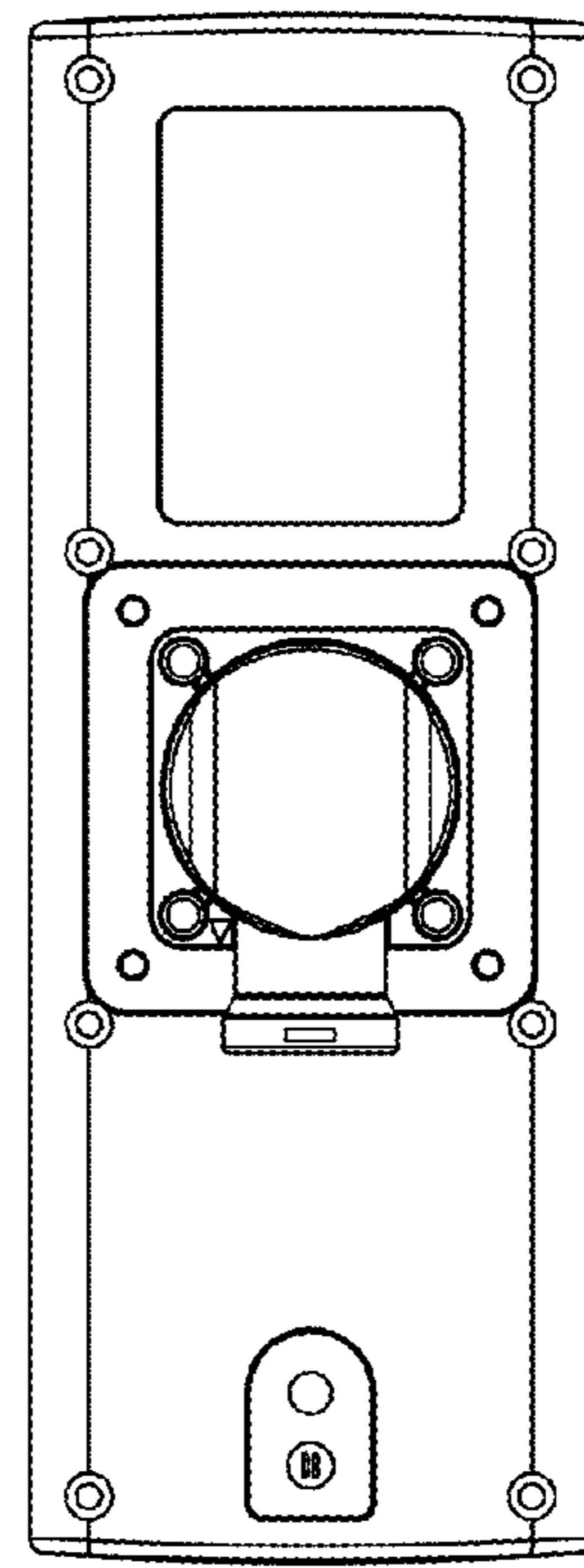


Fig. 12

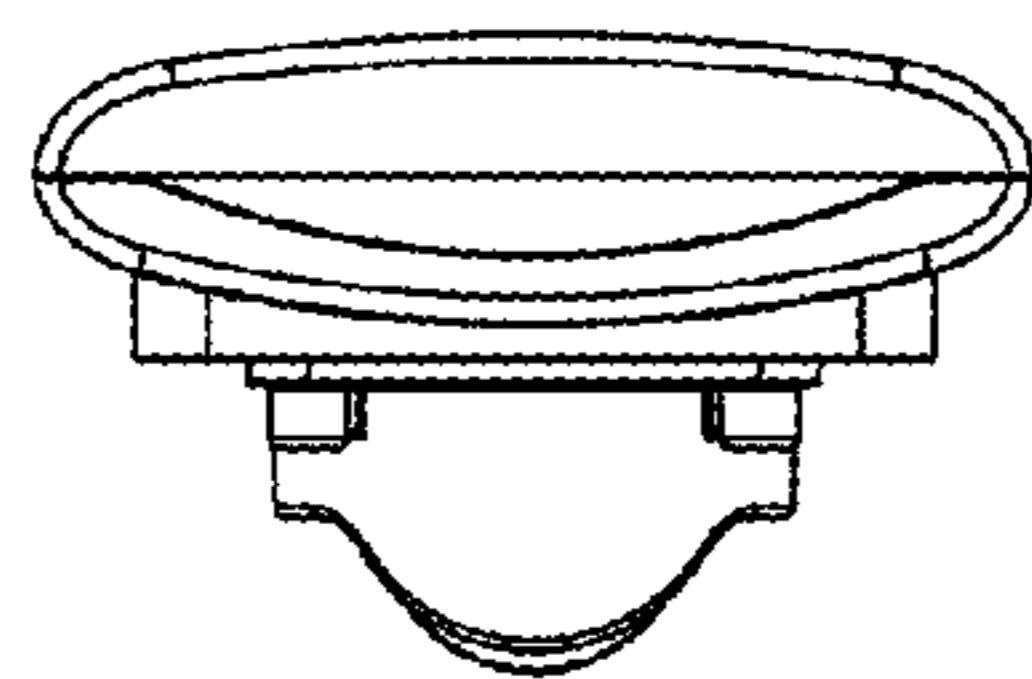


Fig. 15

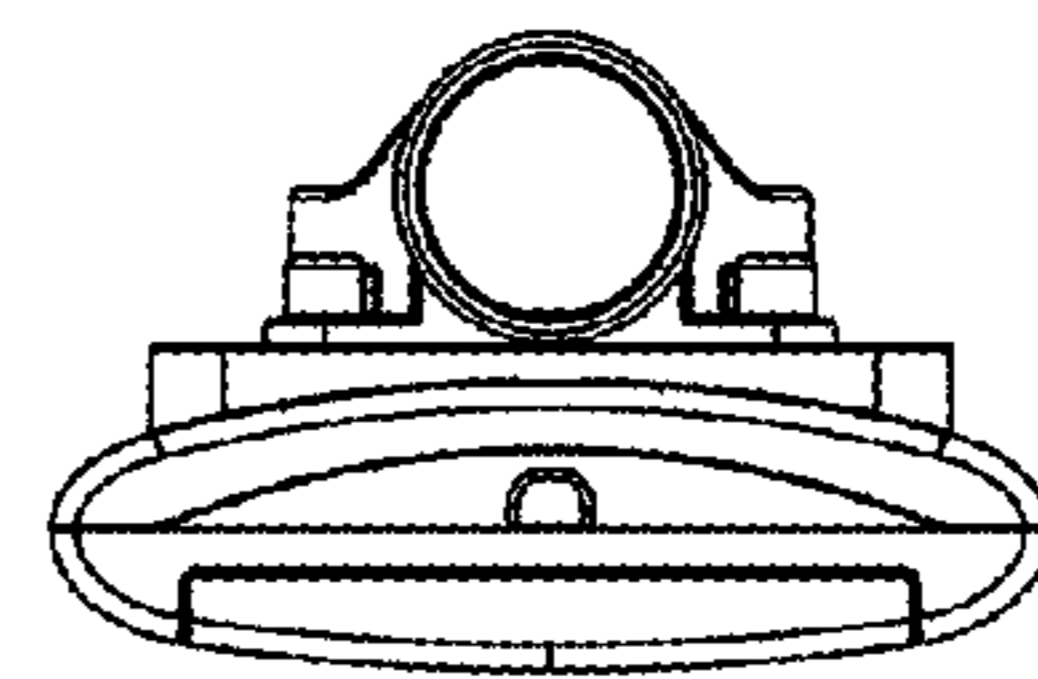


Fig. 16

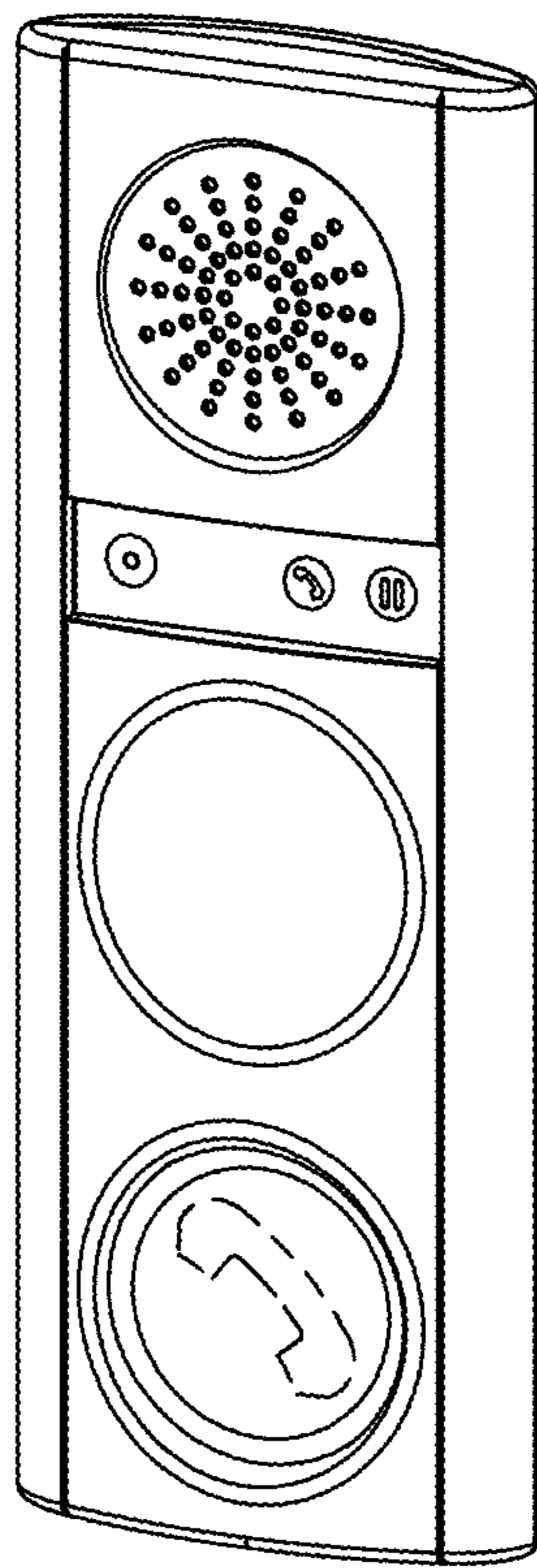


Fig. 17

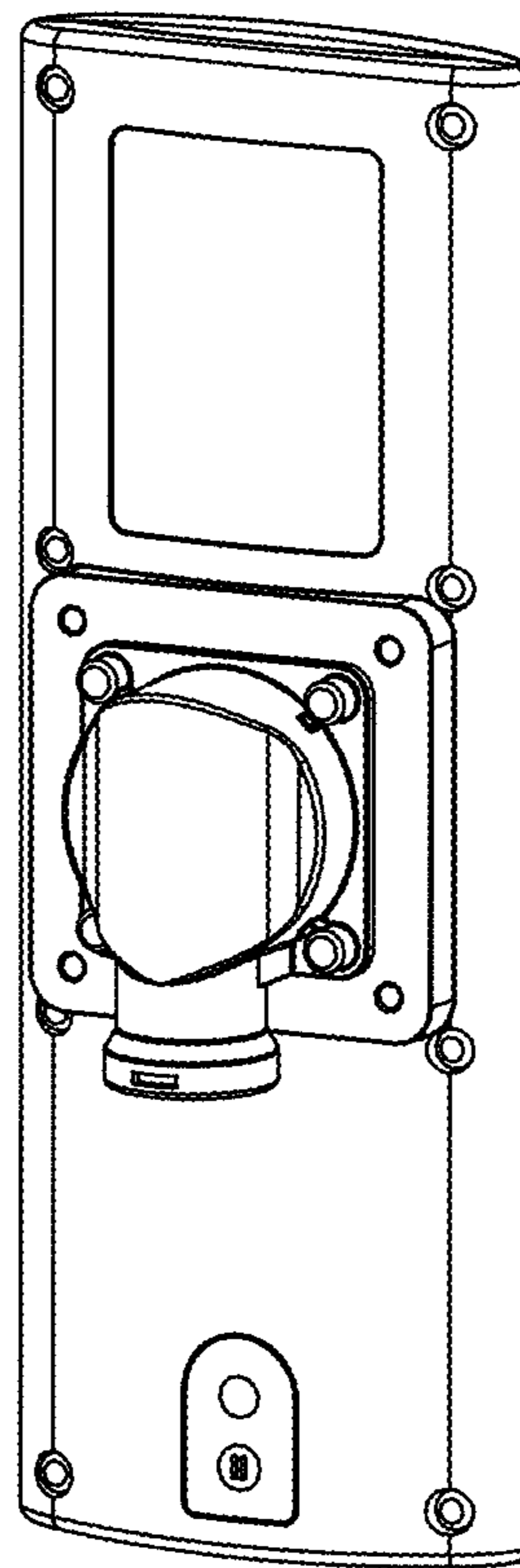


Fig. 18

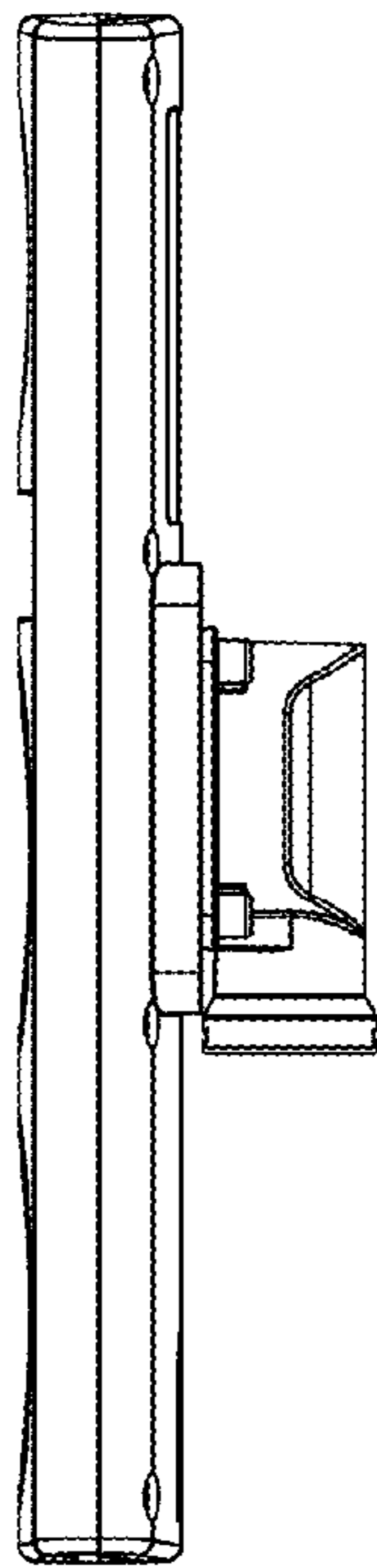


Fig. 22

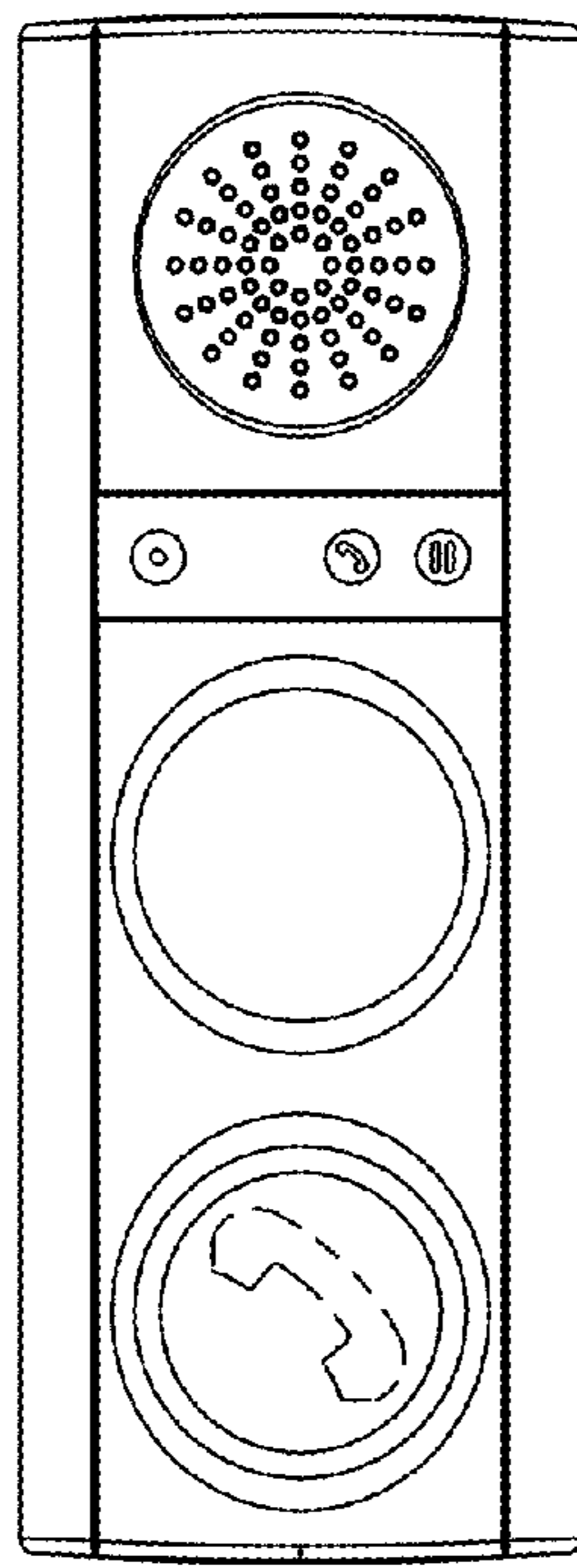


Fig. 19

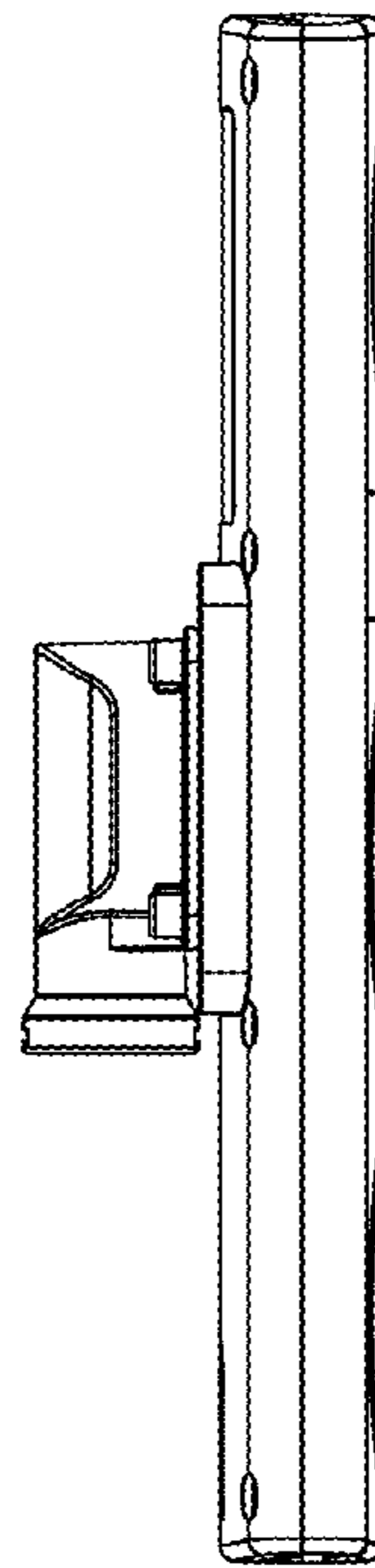


Fig. 21

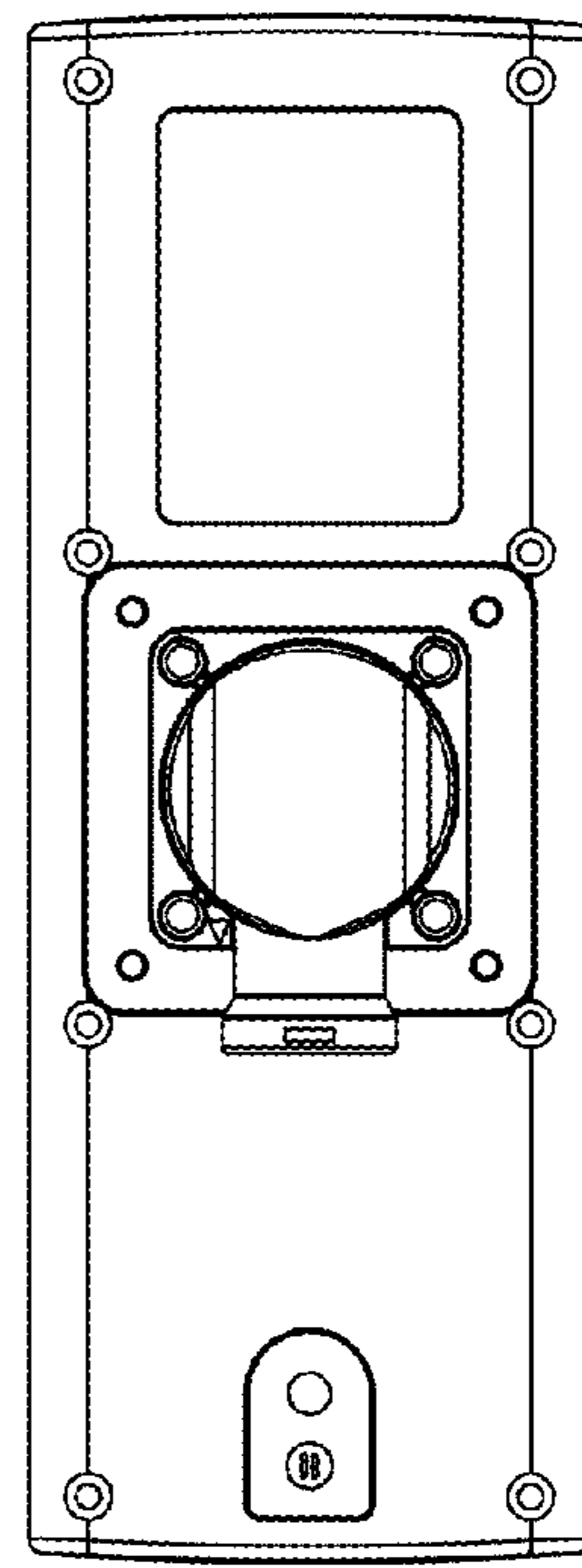


Fig. 20

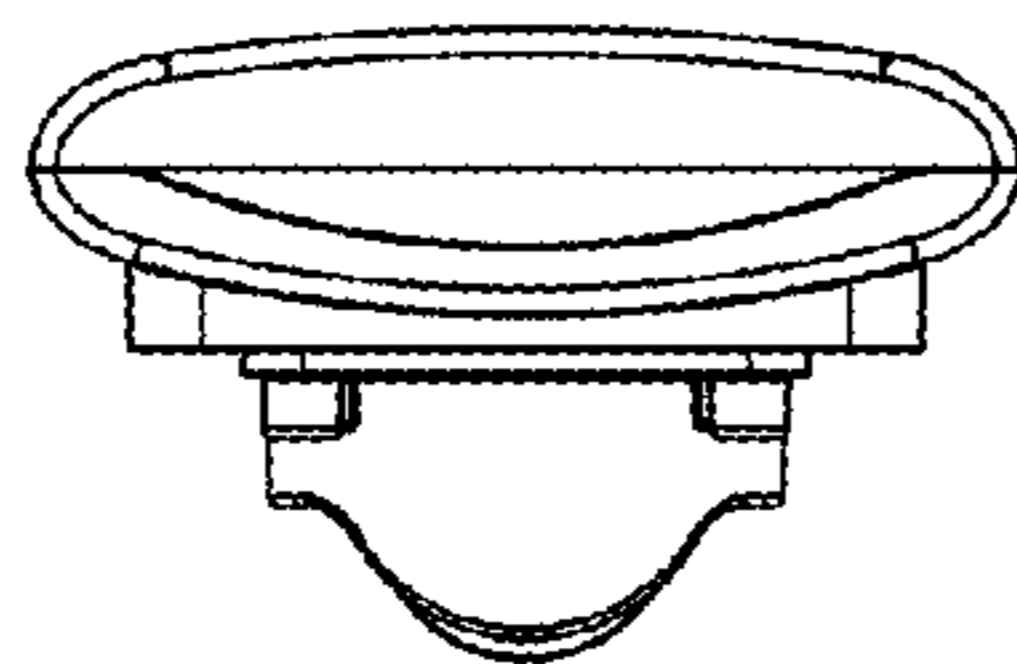


Fig. 23

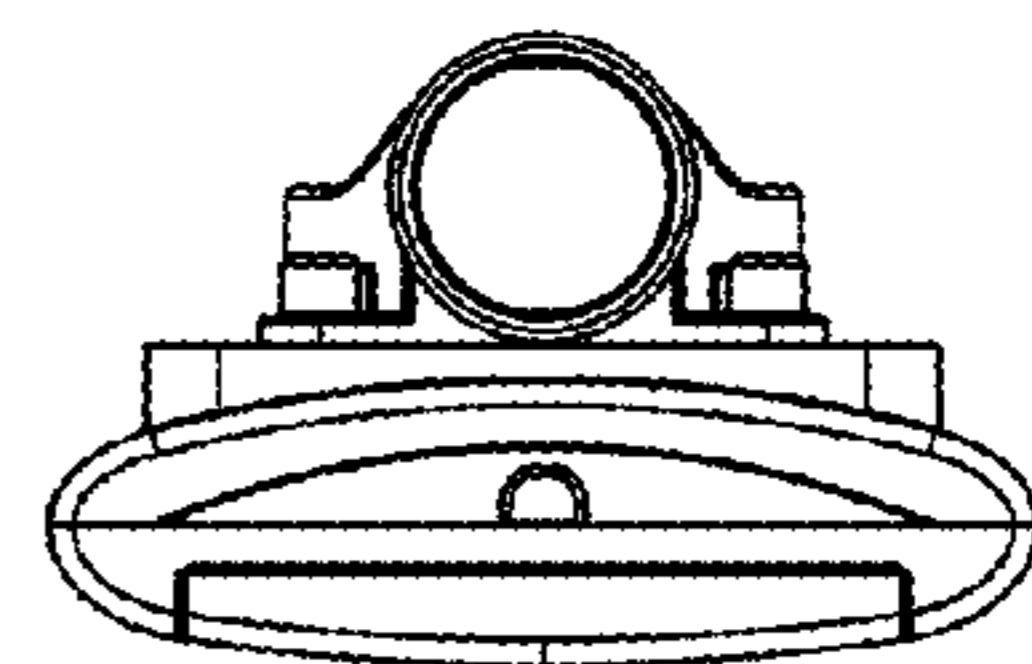


Fig. 24

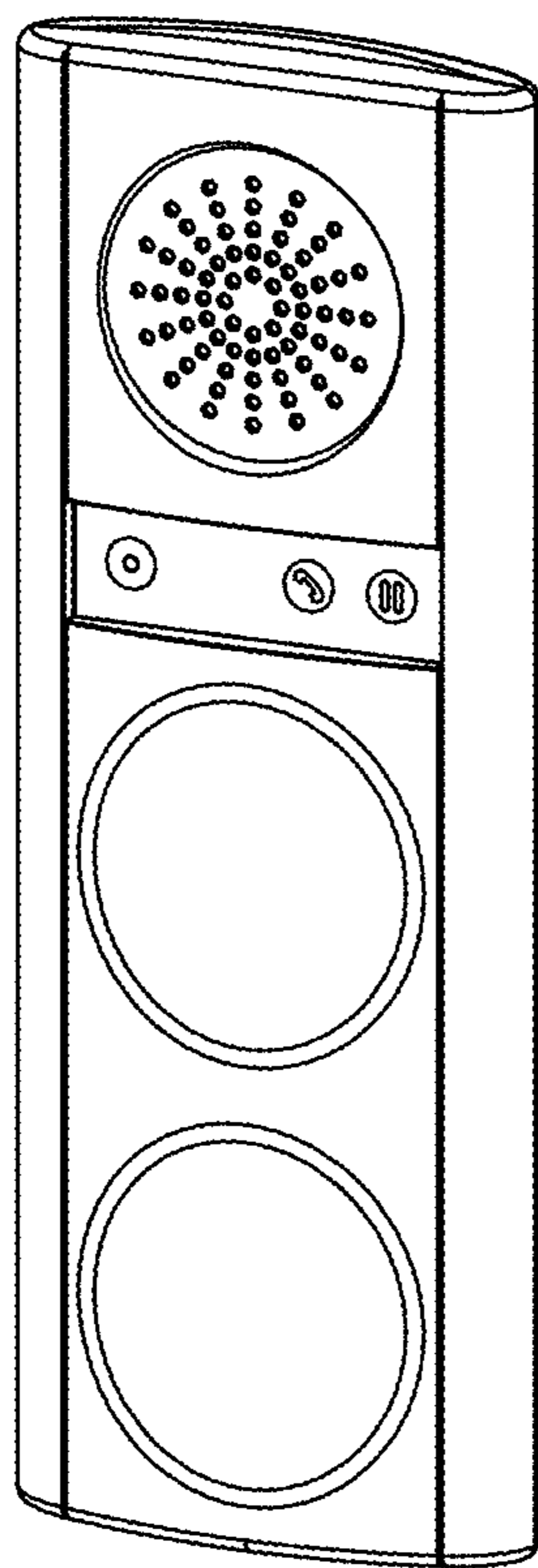


Fig. 25

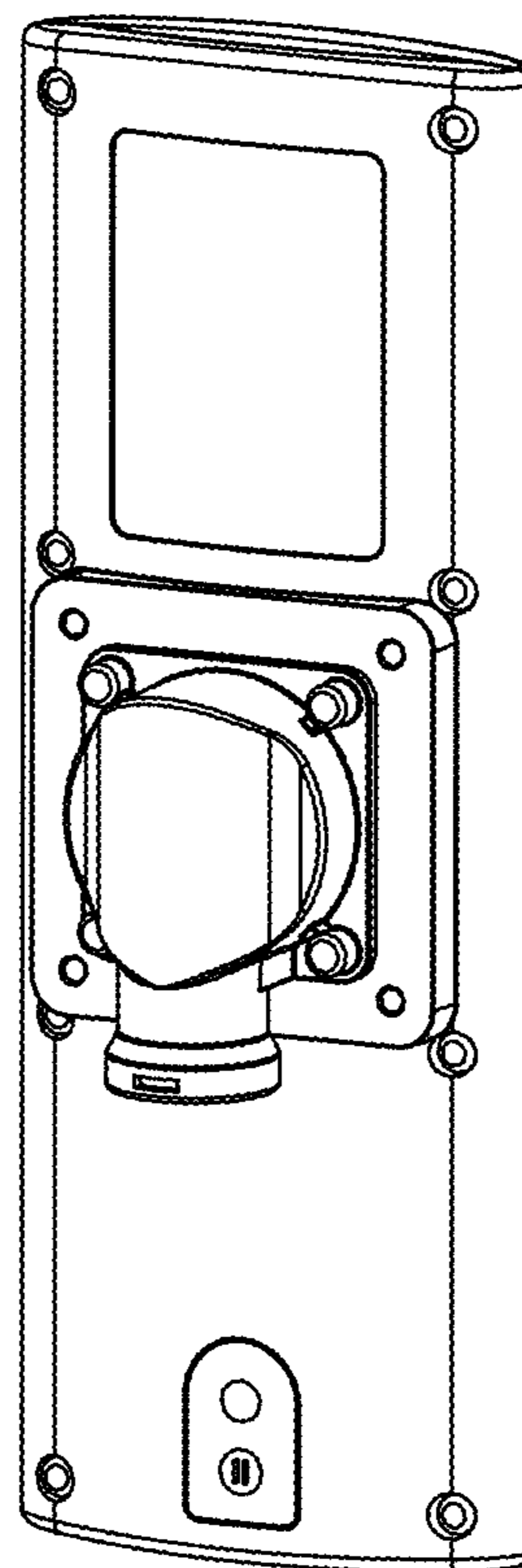


Fig. 26

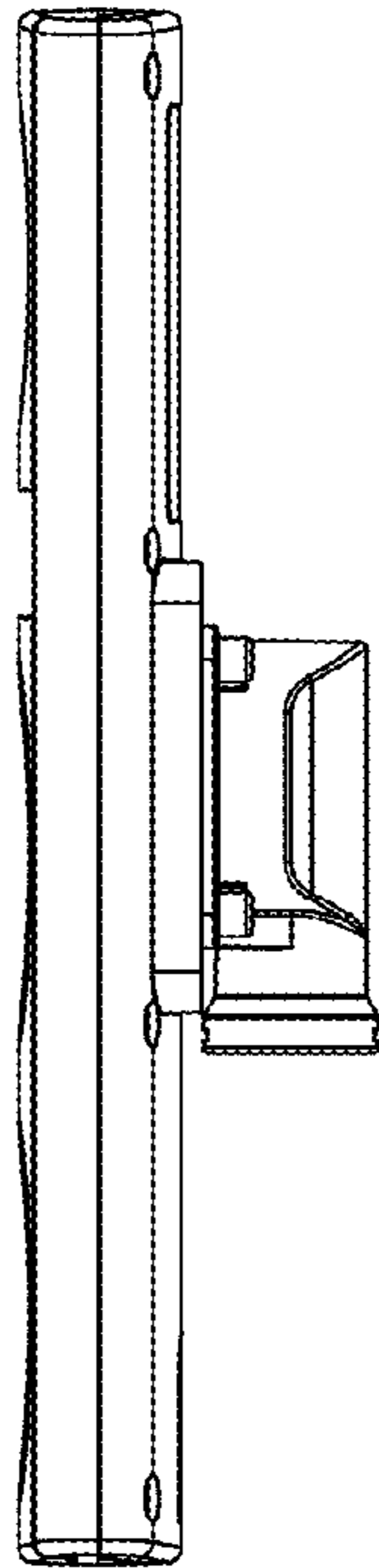


Fig. 30

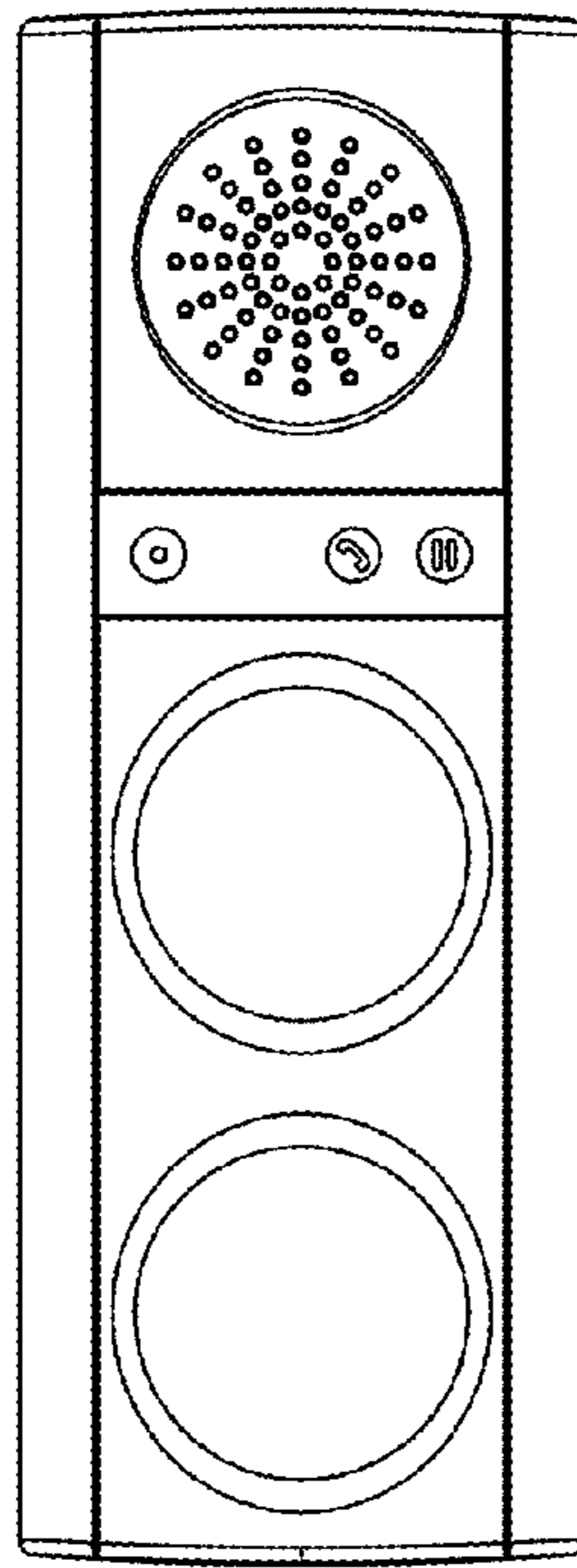


Fig. 27

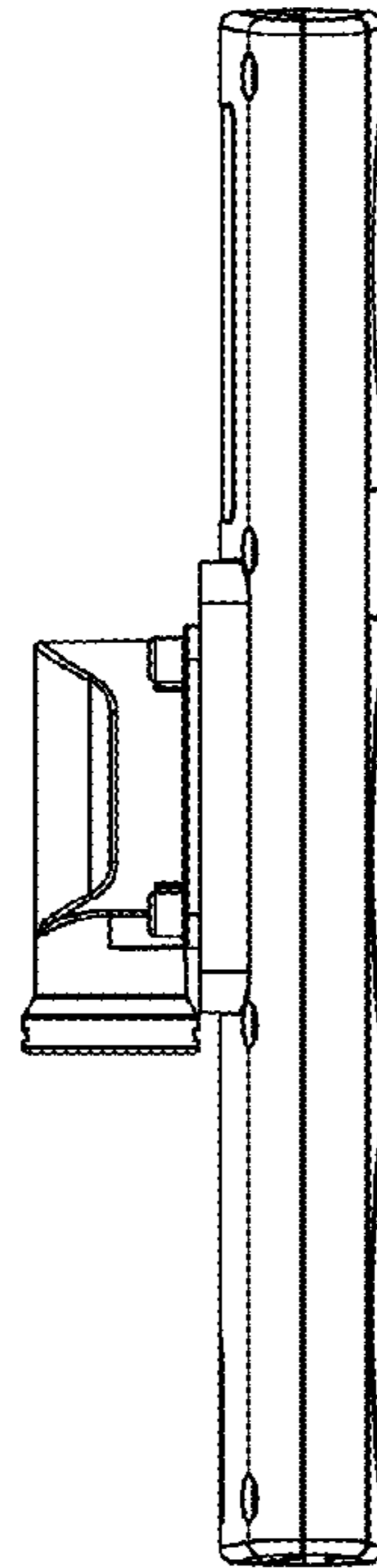


Fig. 29

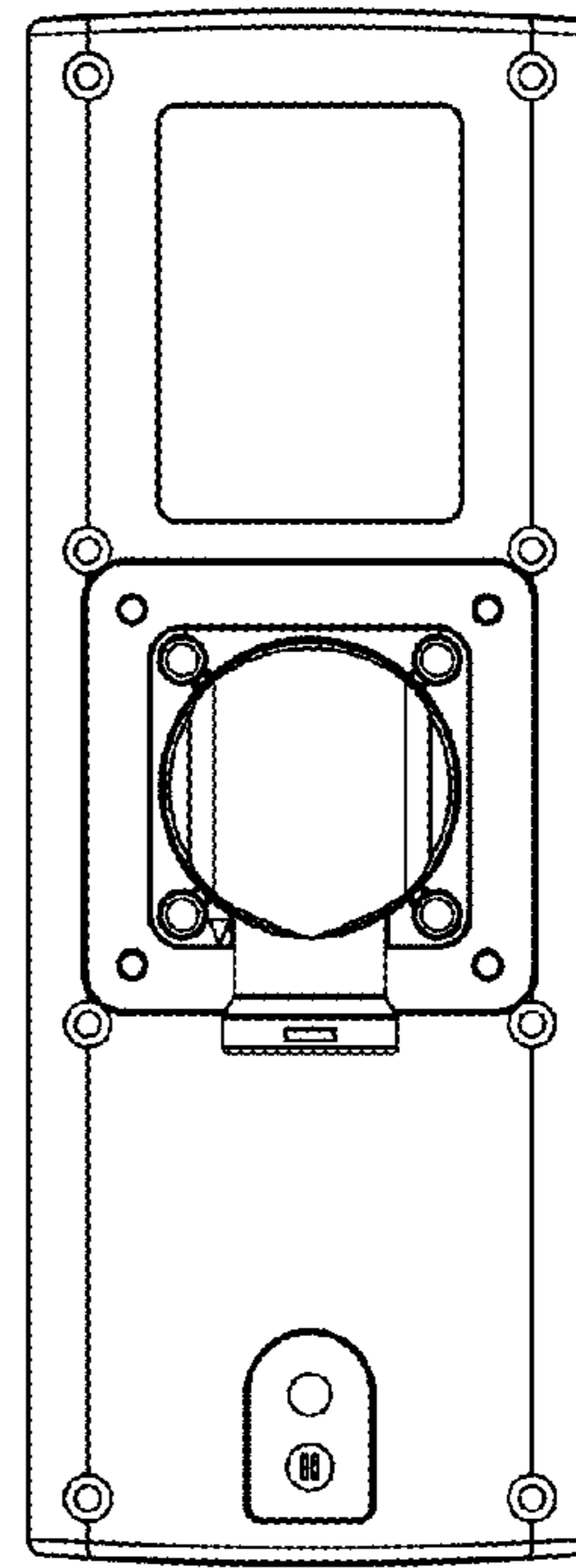


Fig. 28

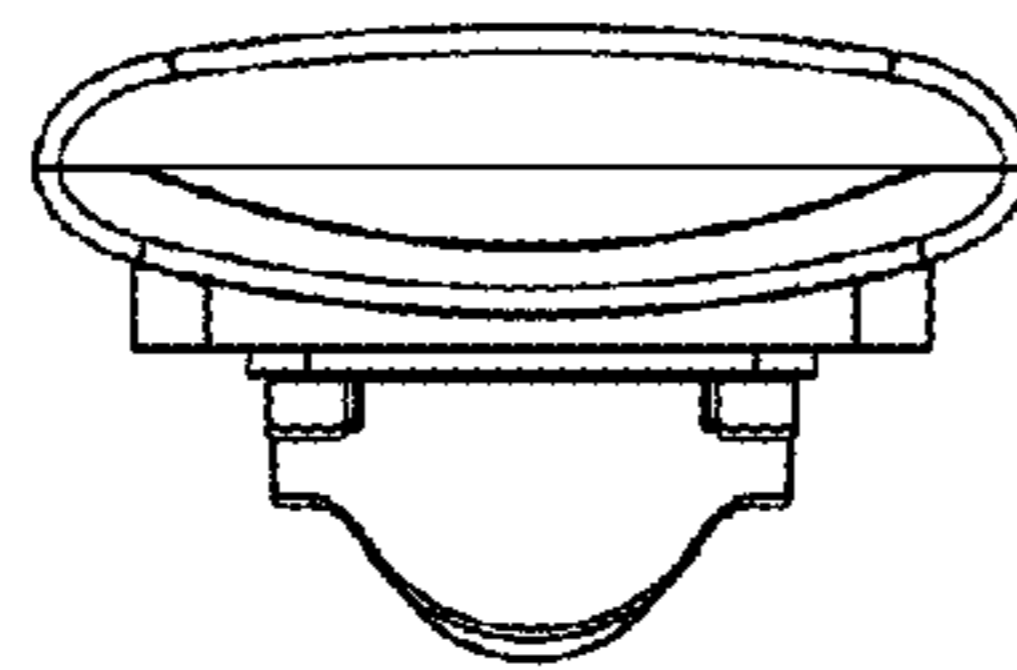


Fig. 31

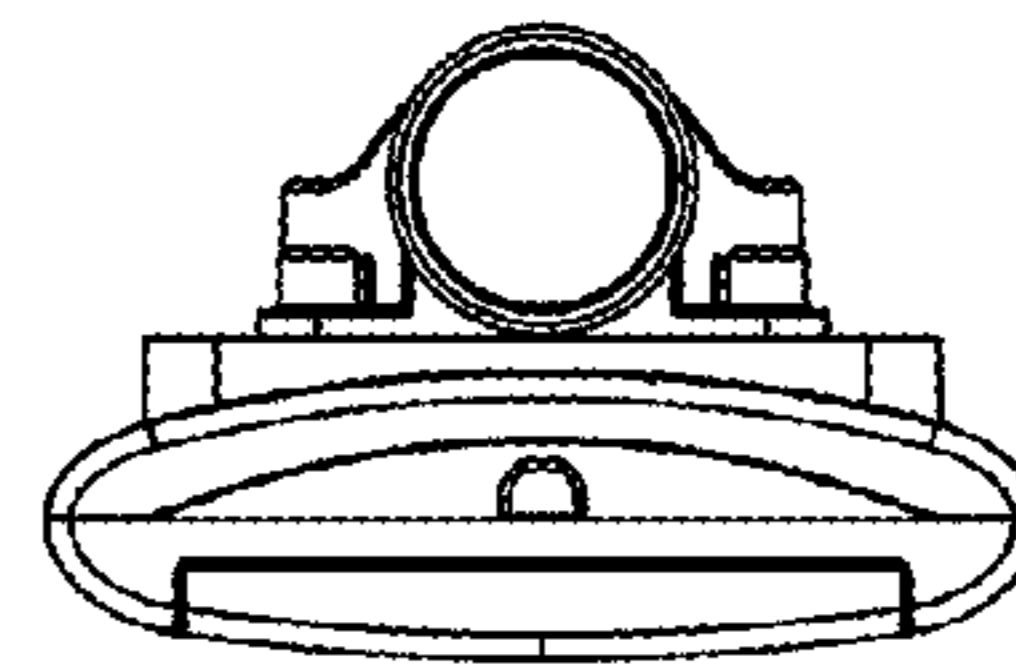


Fig. 32

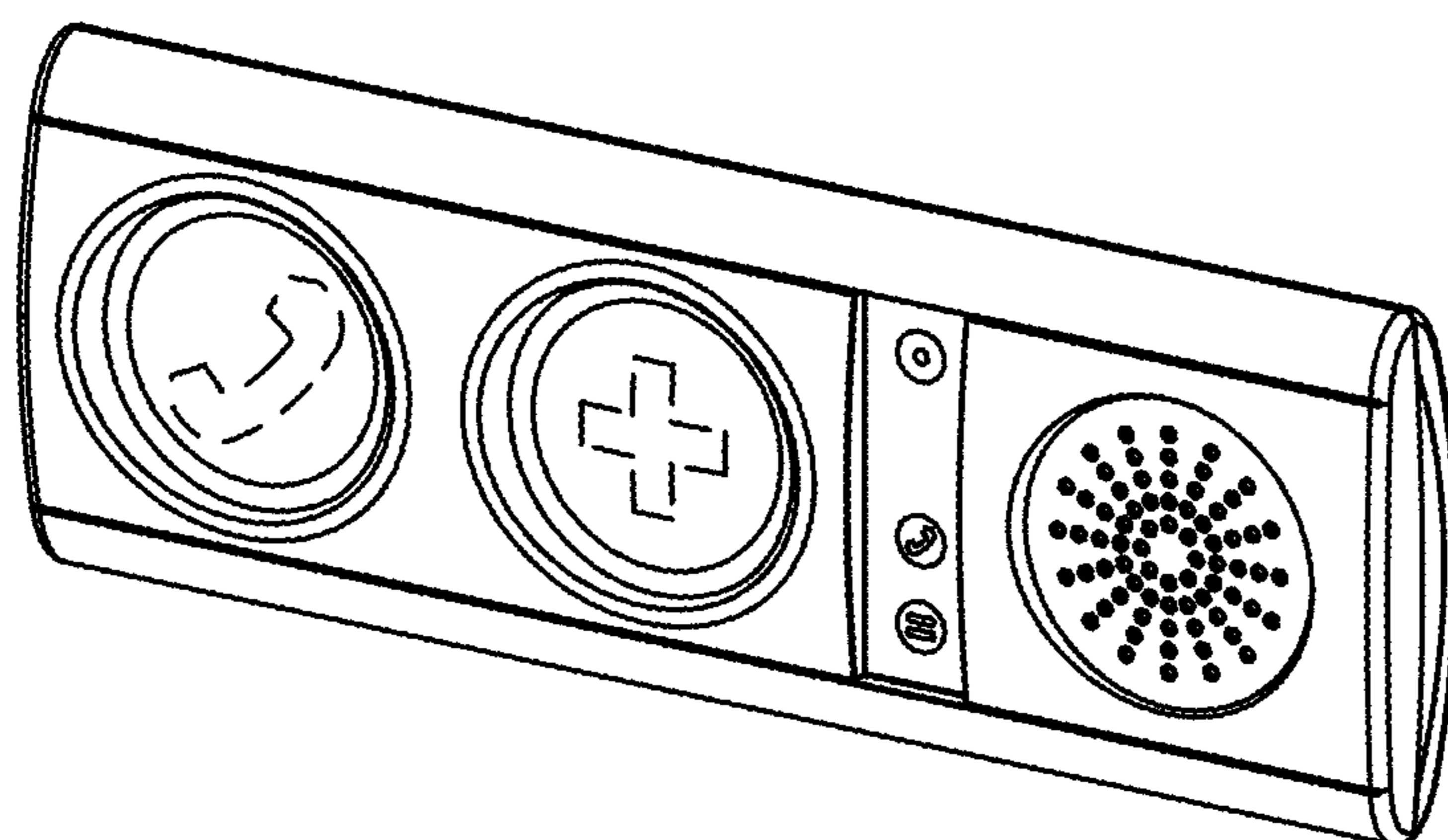


Fig. 33

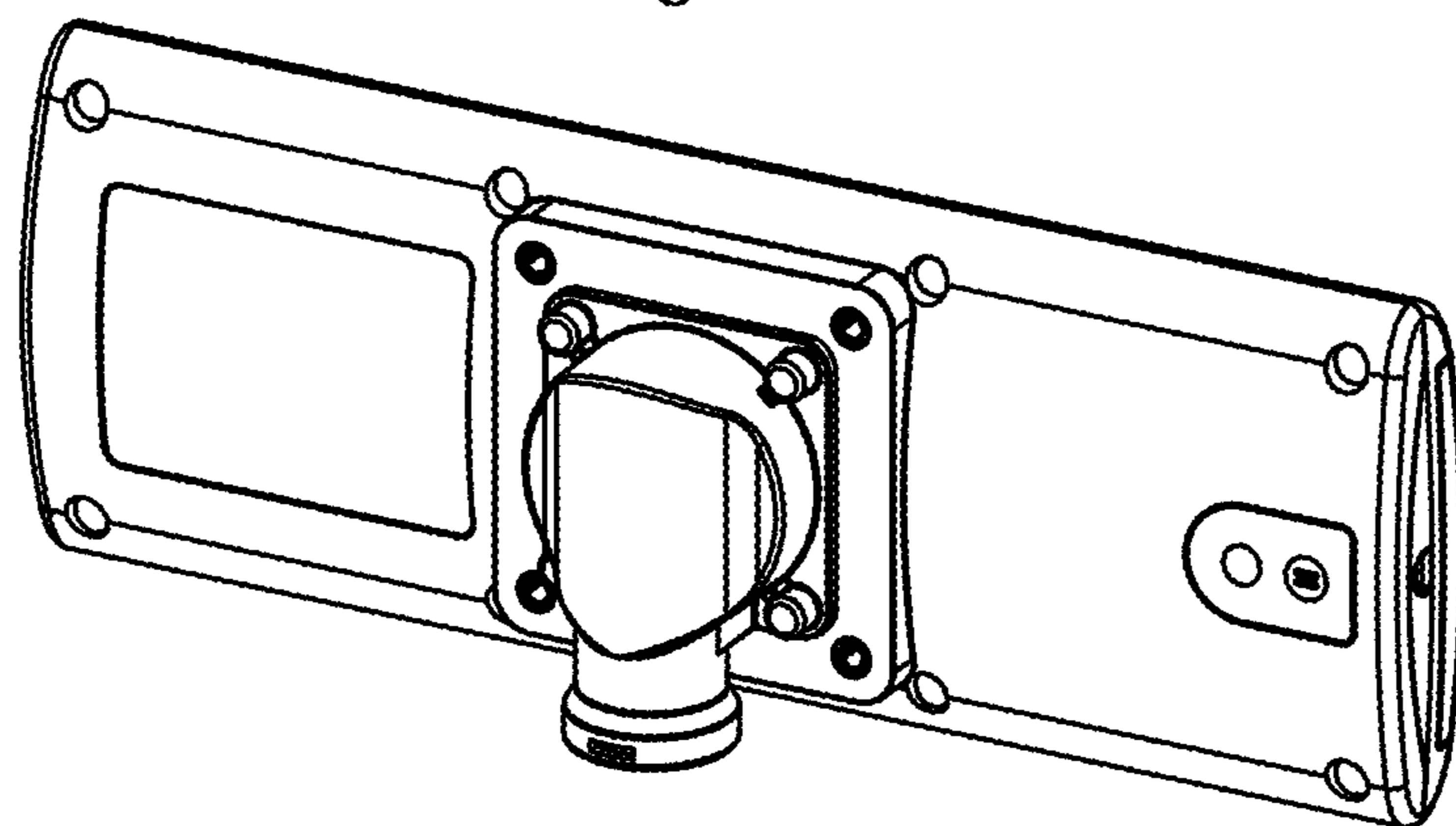


Fig. 34

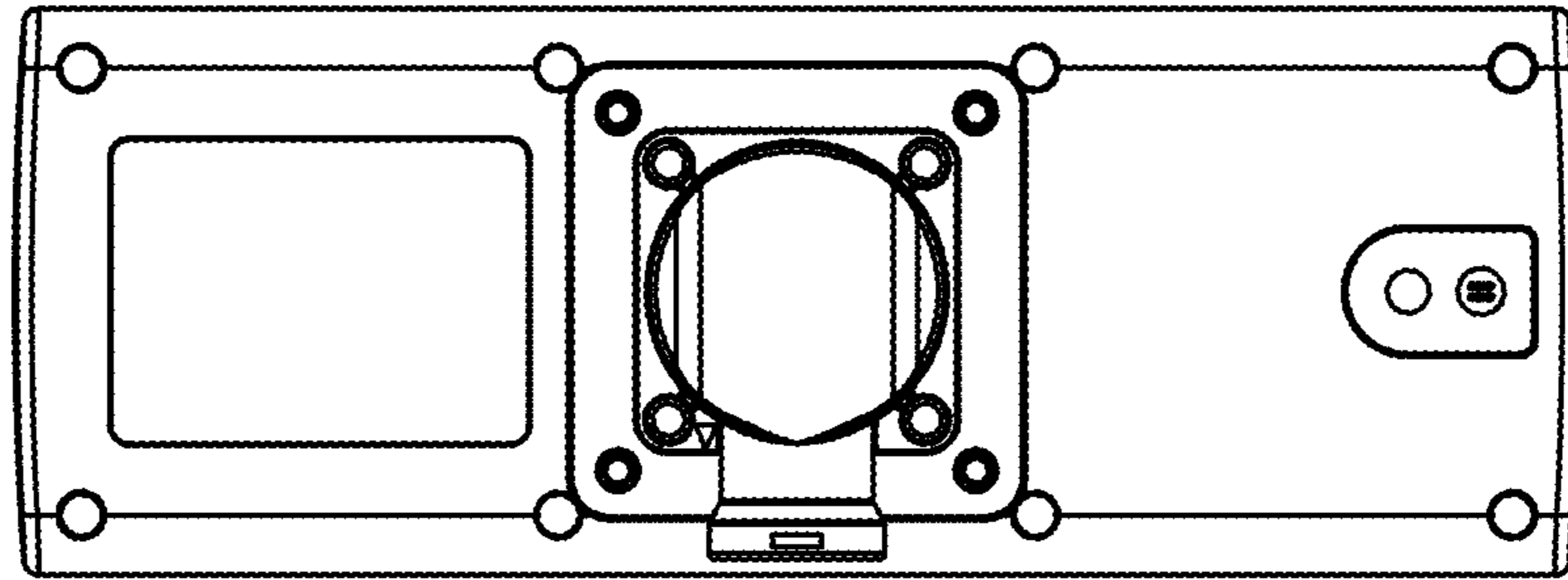


Fig. 36

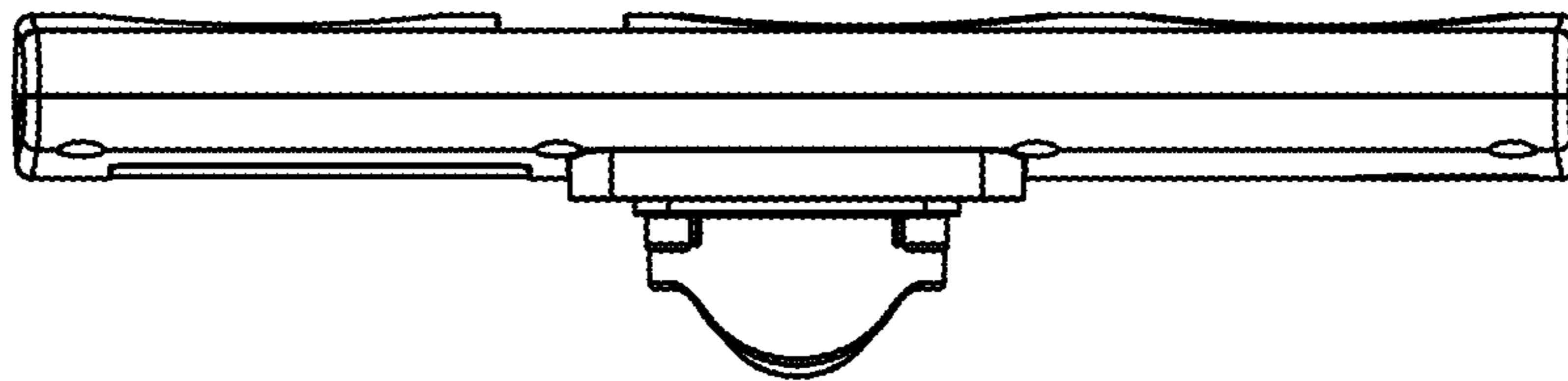


Fig. 38

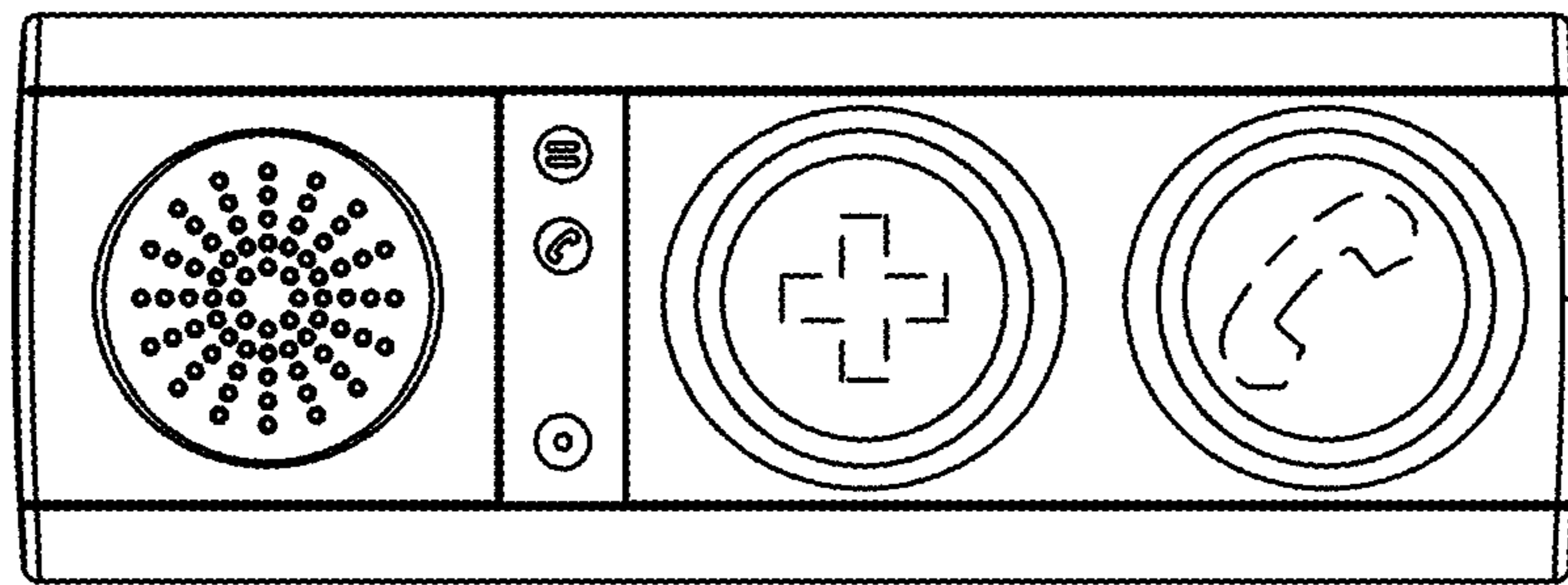


Fig. 35

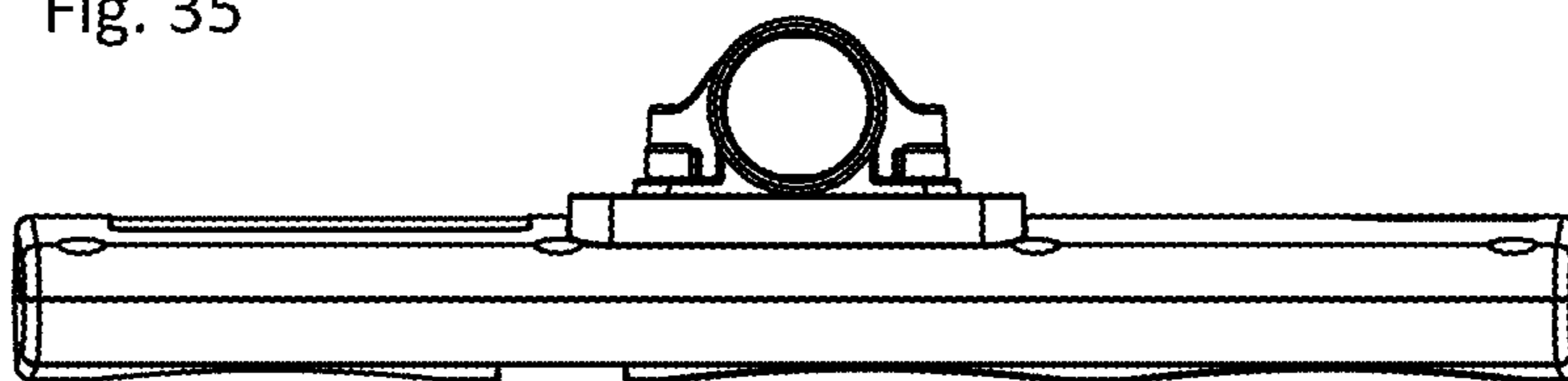


Fig. 37

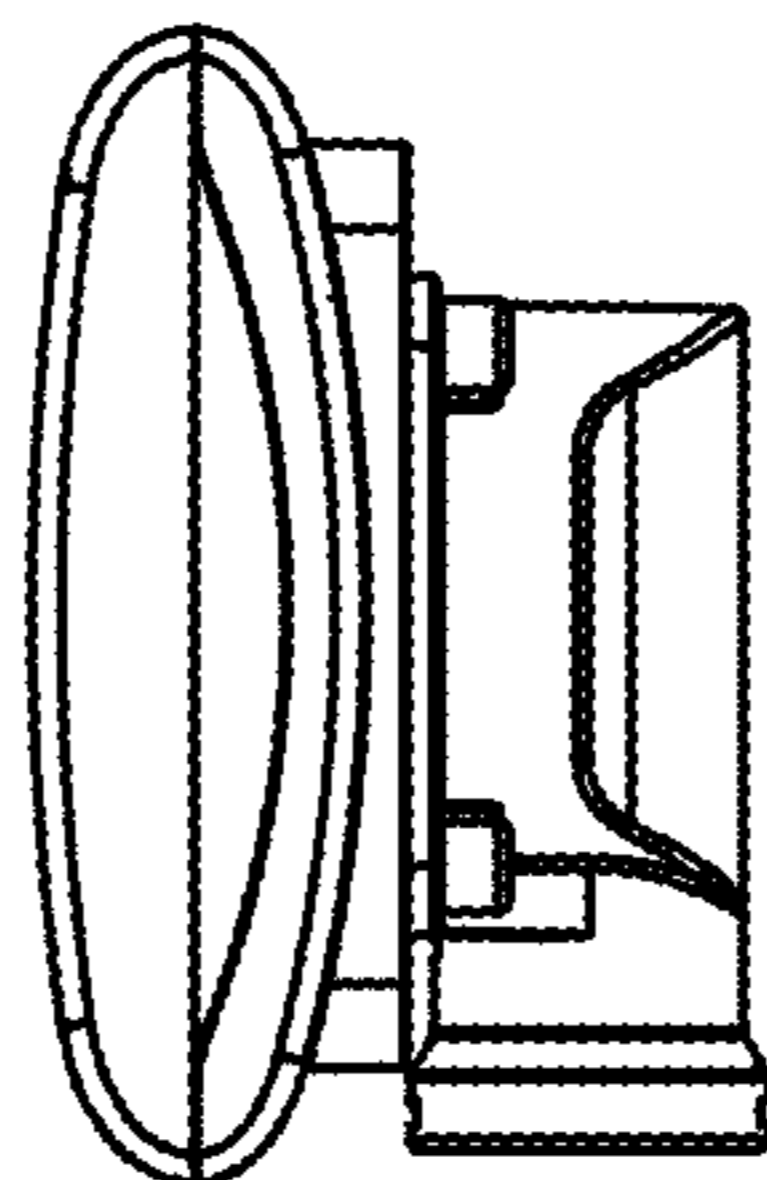


Fig. 39

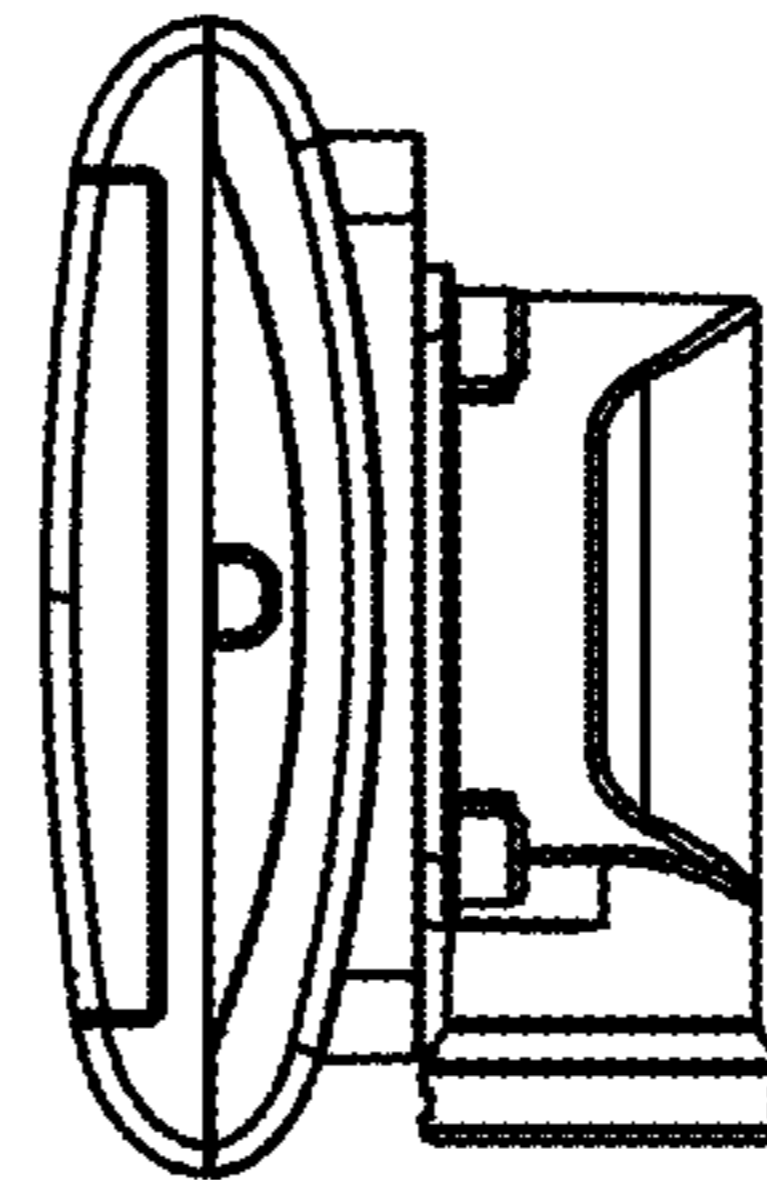


Fig. 40

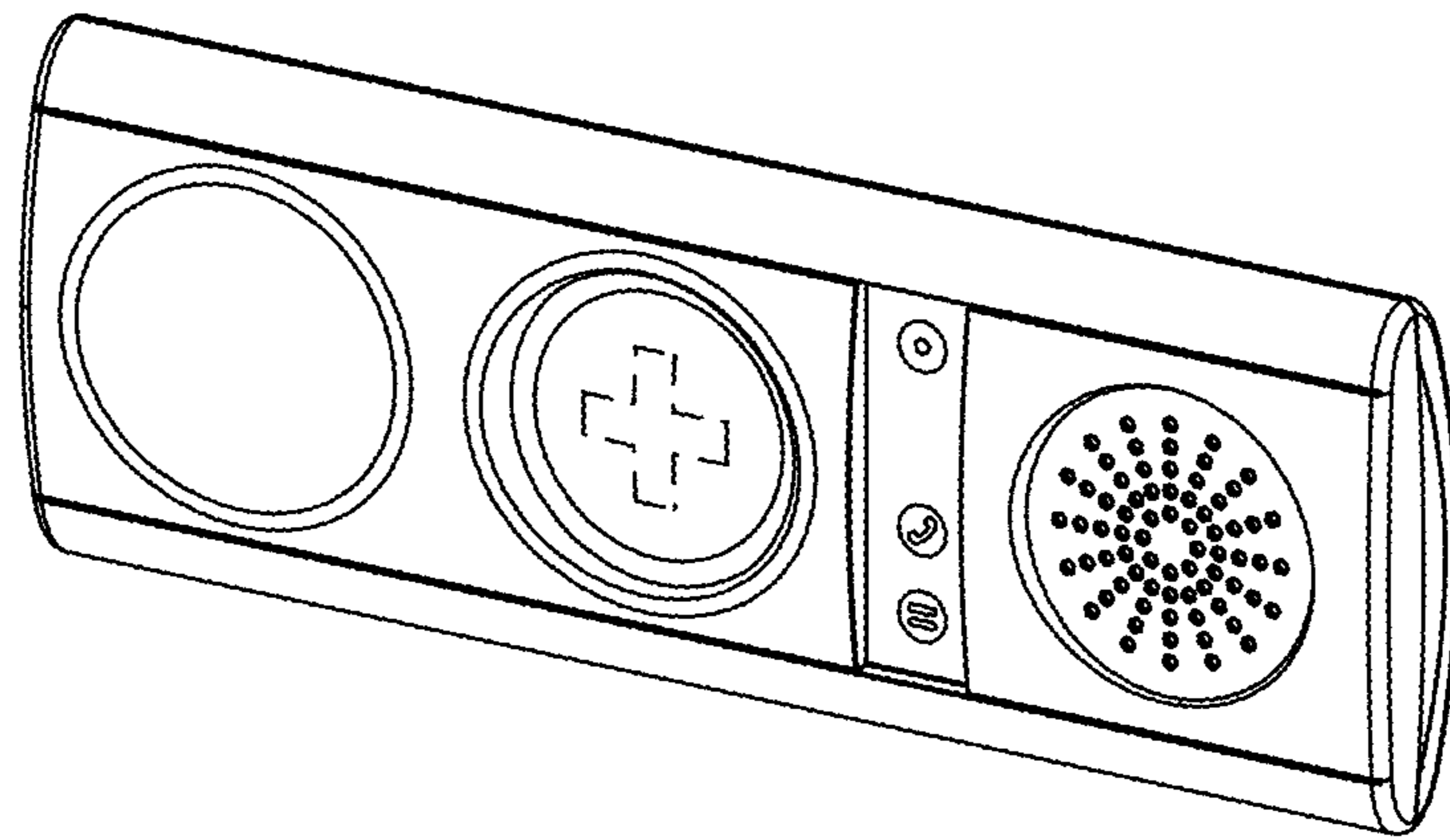


Fig. 41

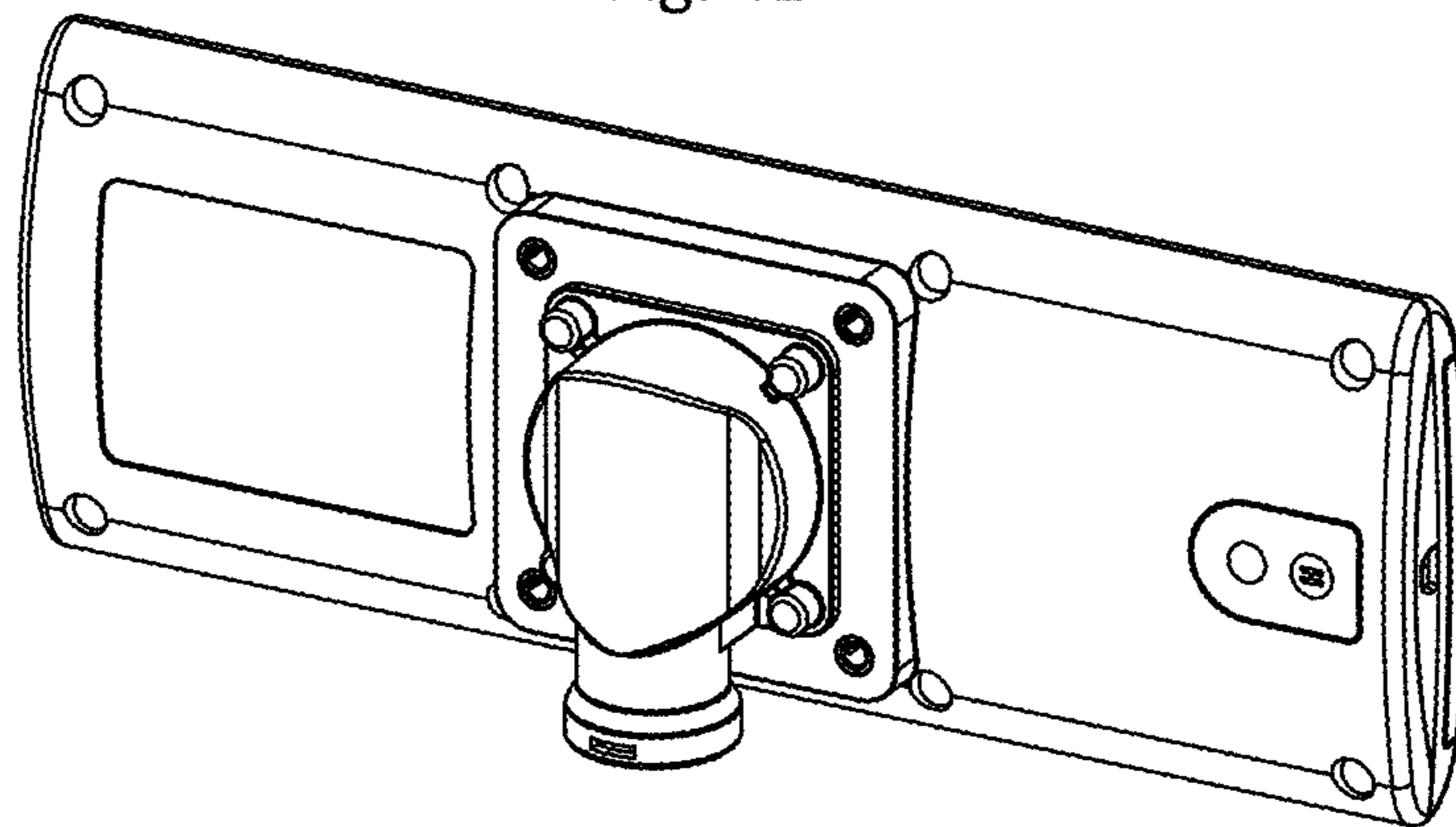


Fig. 42

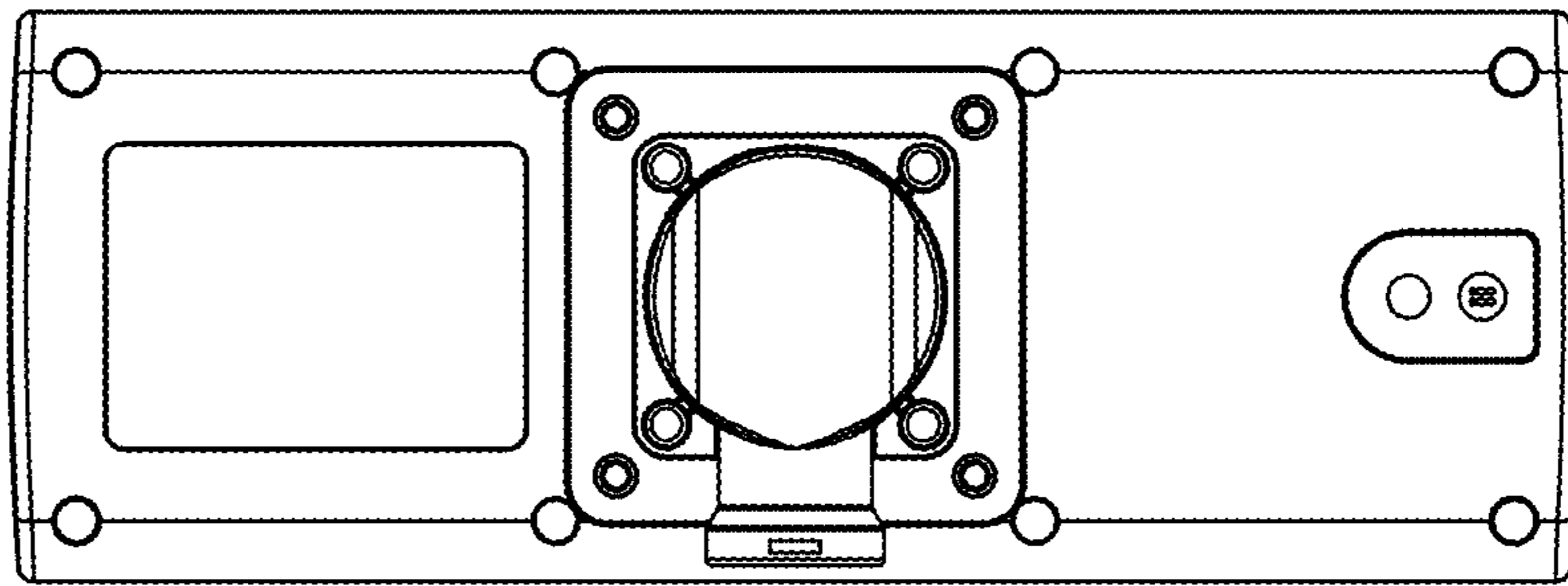


Fig. 44

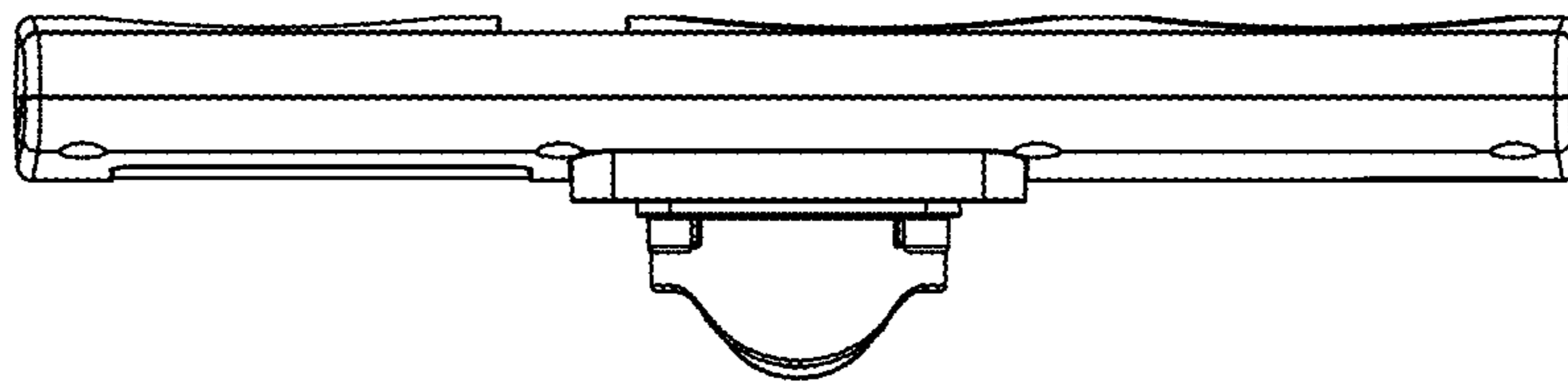


Fig. 46

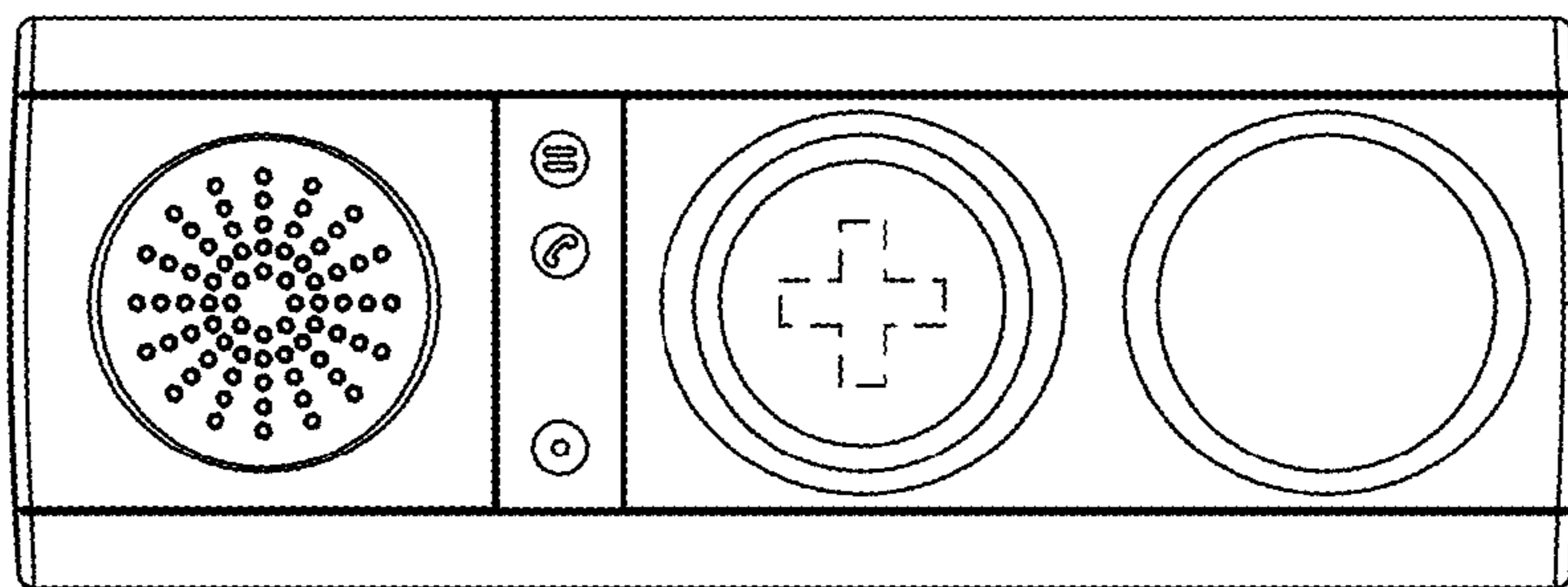


Fig. 43

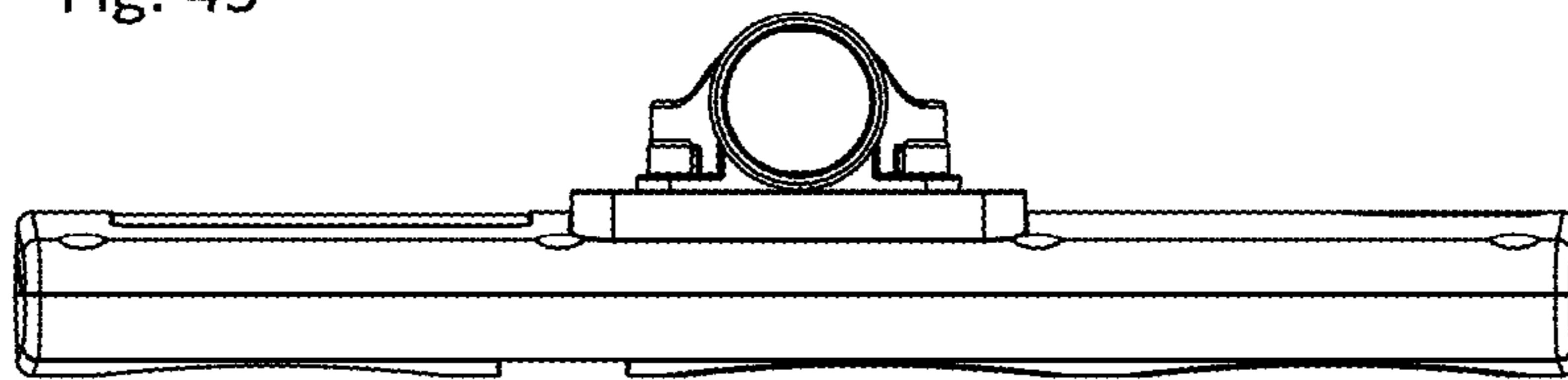


Fig. 45

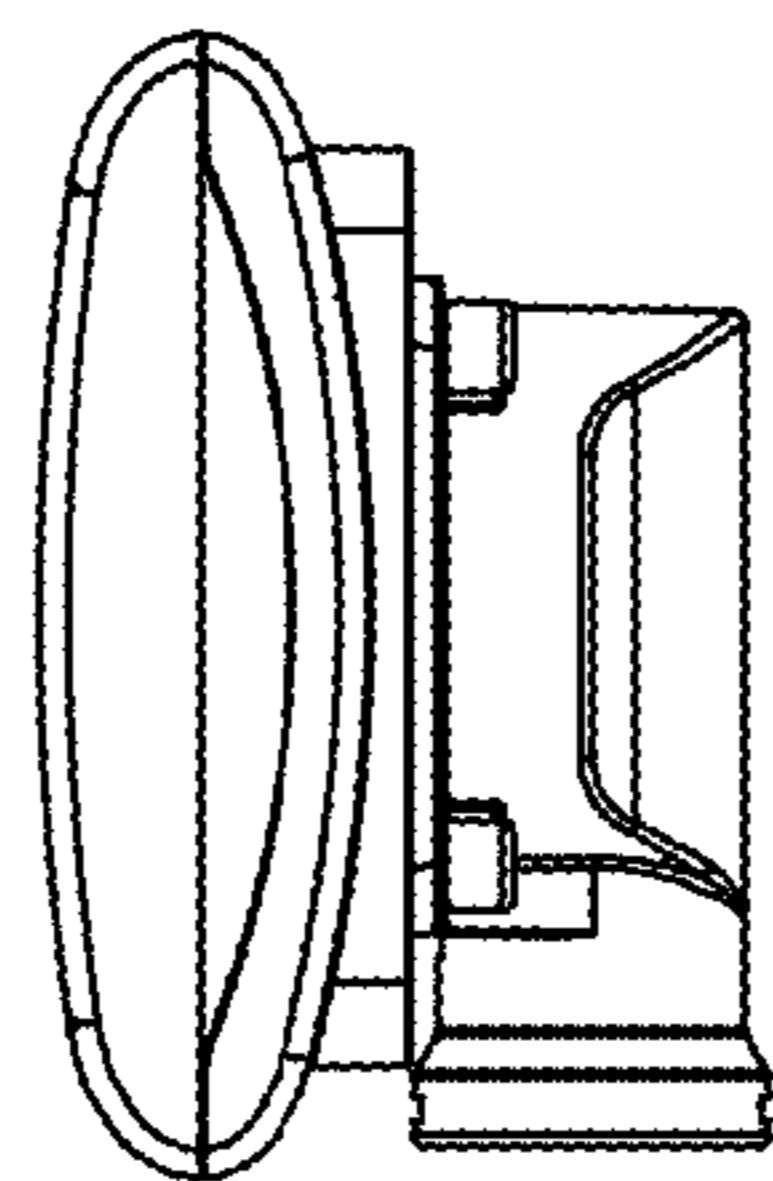


Fig. 47

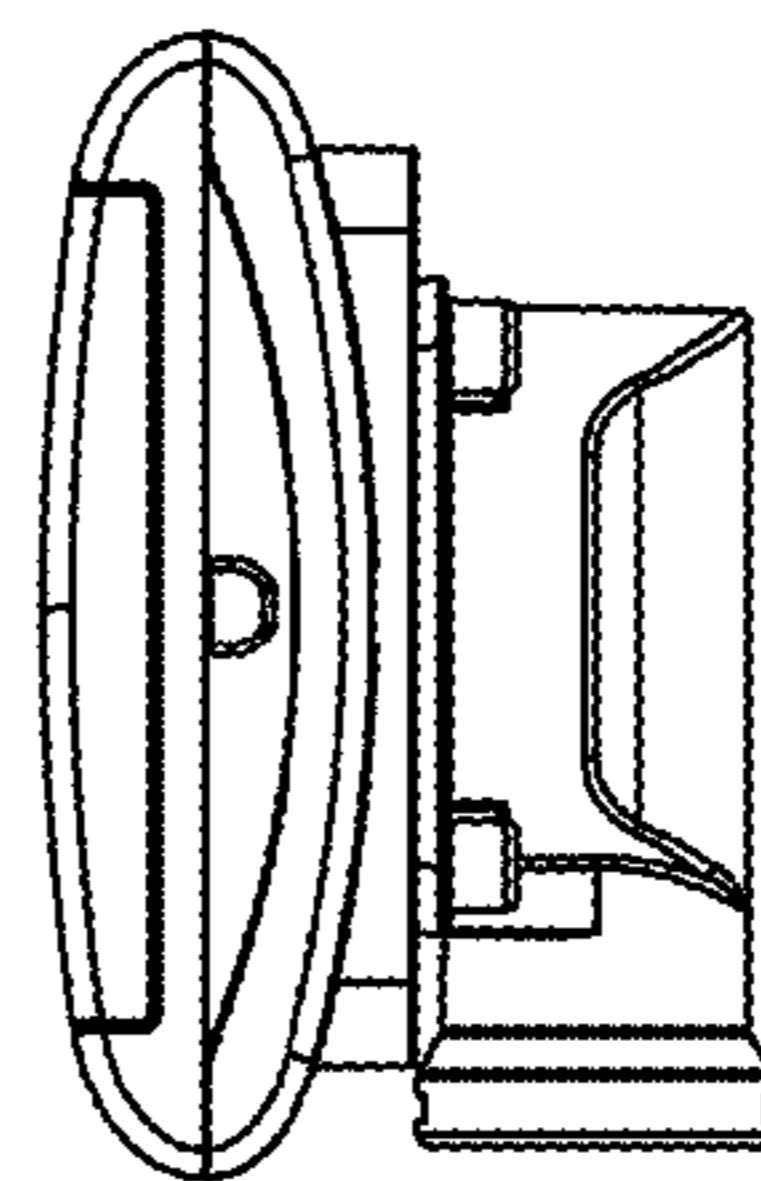


Fig. 48

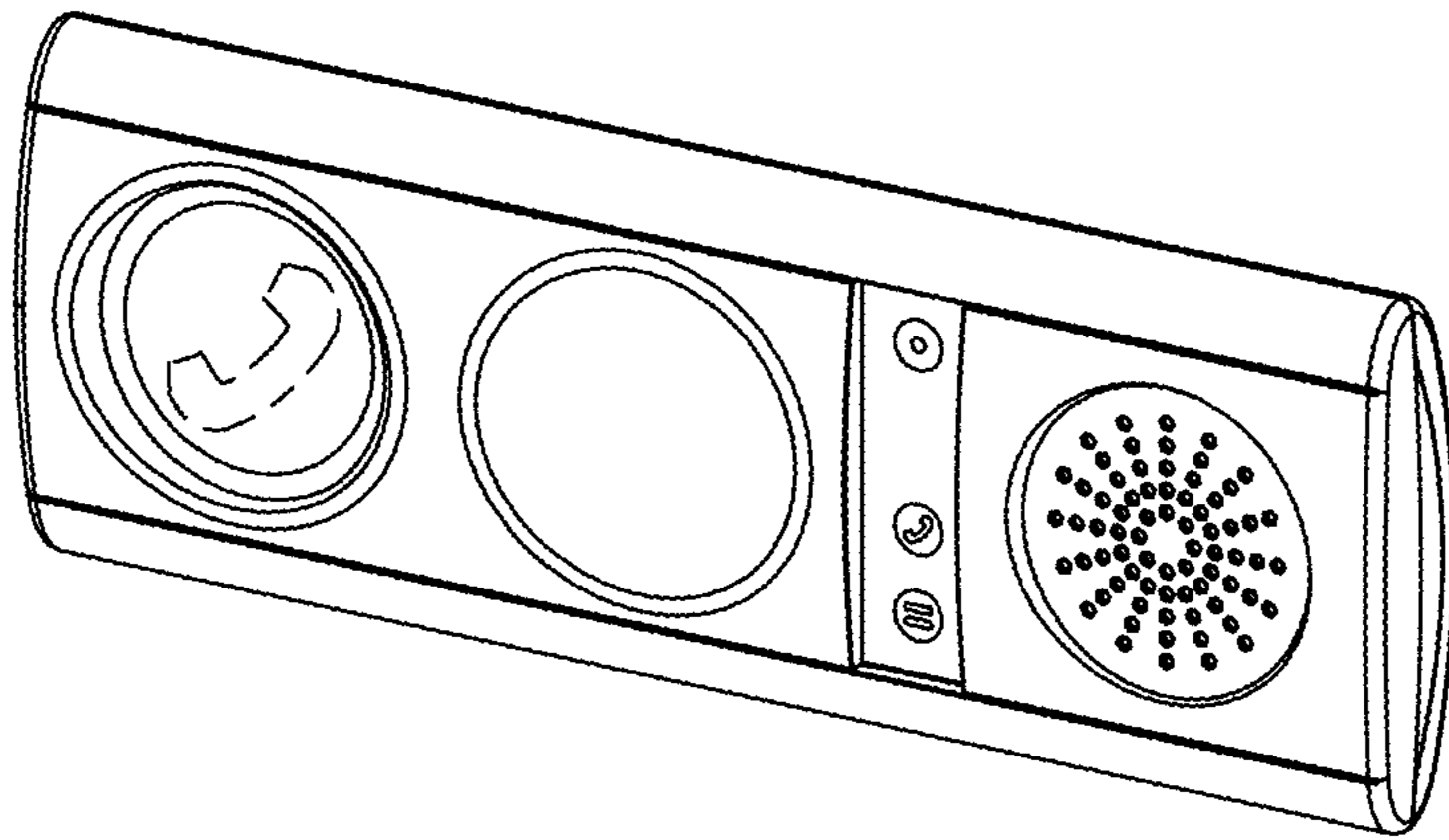


Fig. 49

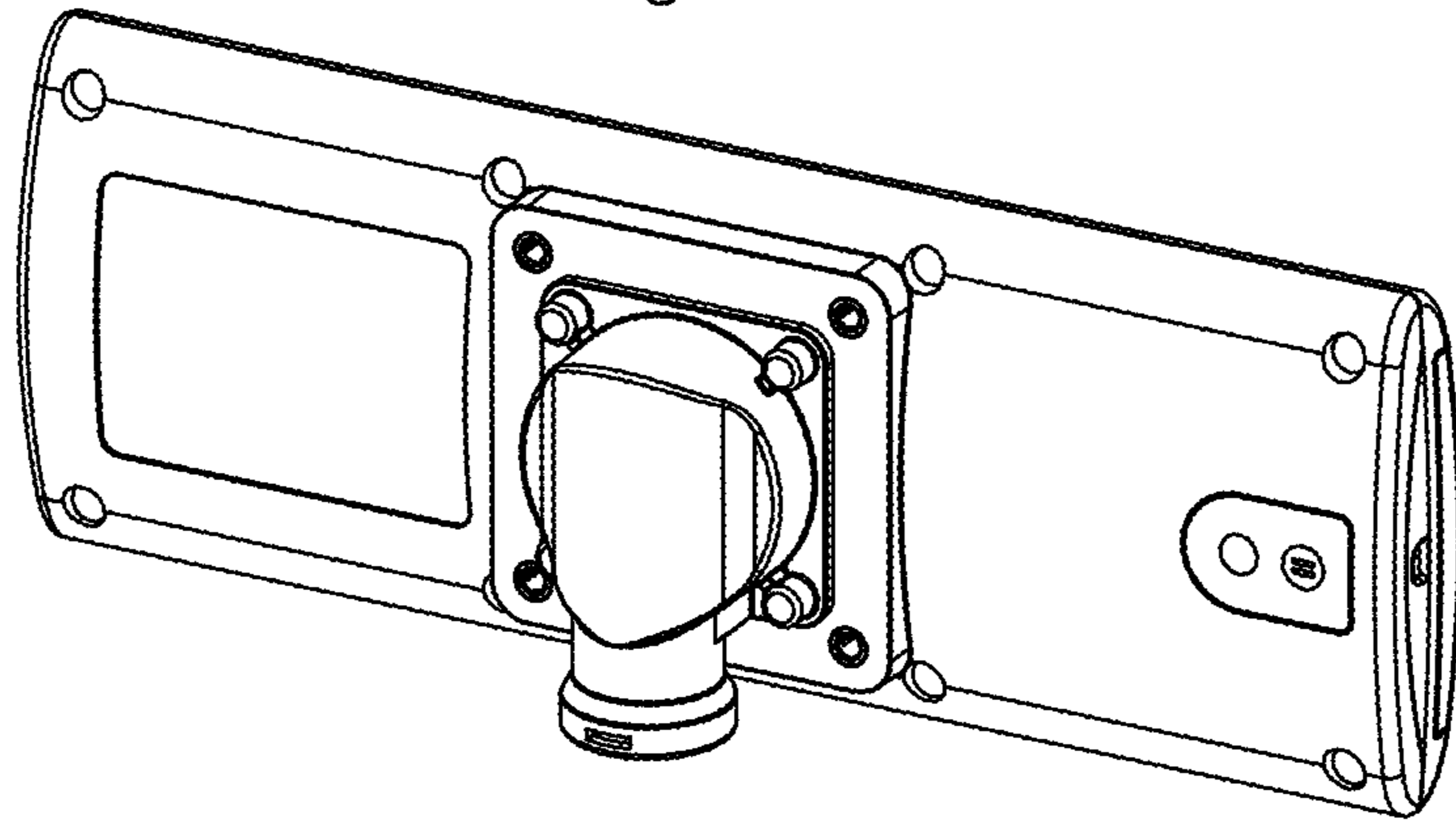


Fig. 50

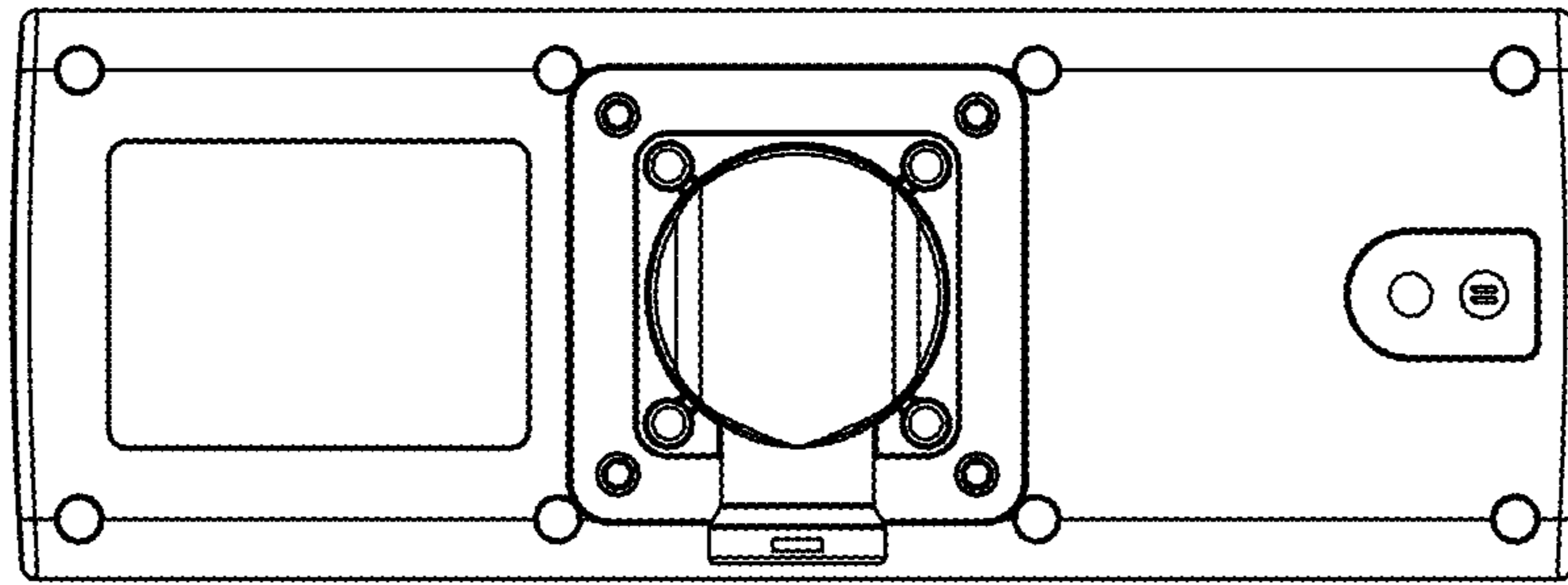


Fig. 52

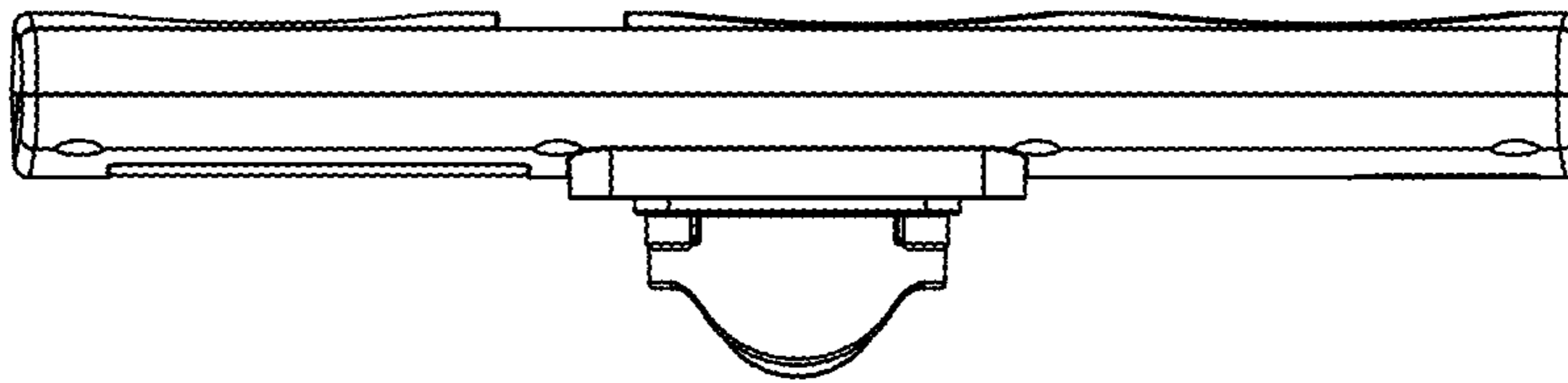


Fig. 54

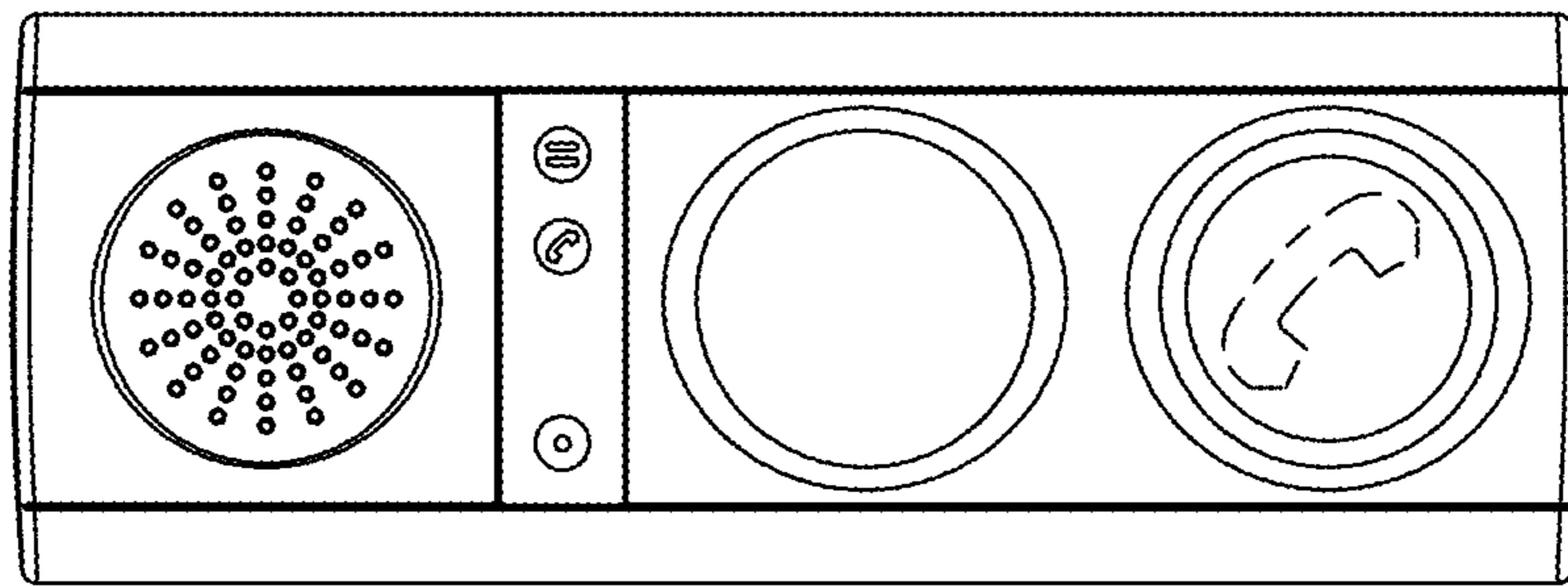


Fig. 51

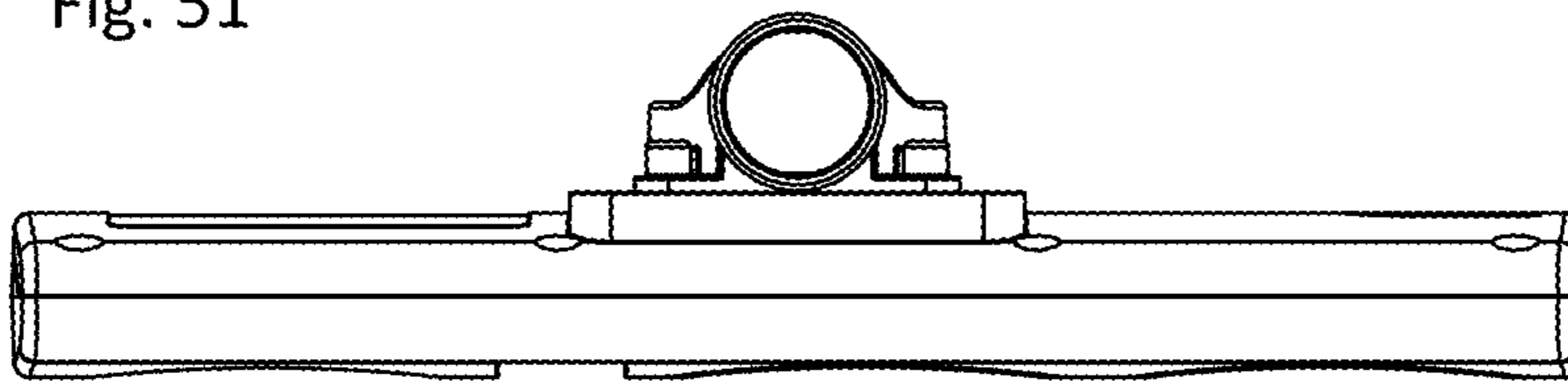


Fig. 53

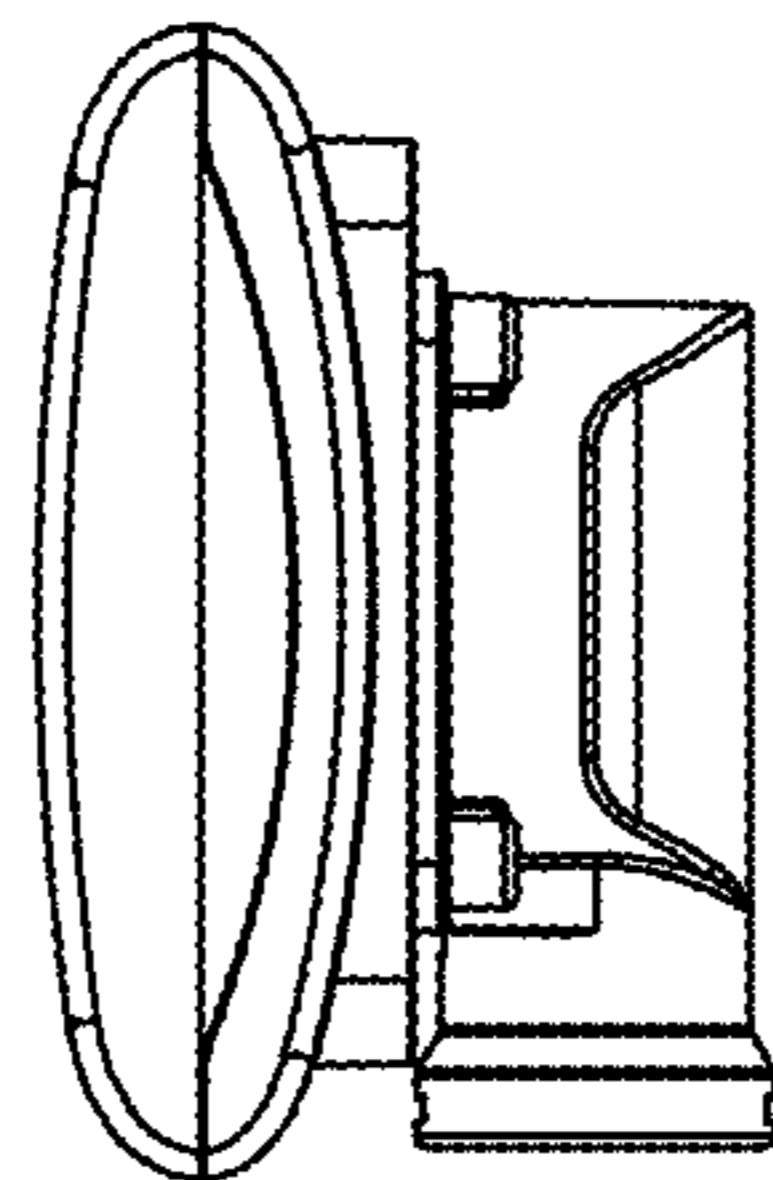


Fig. 55

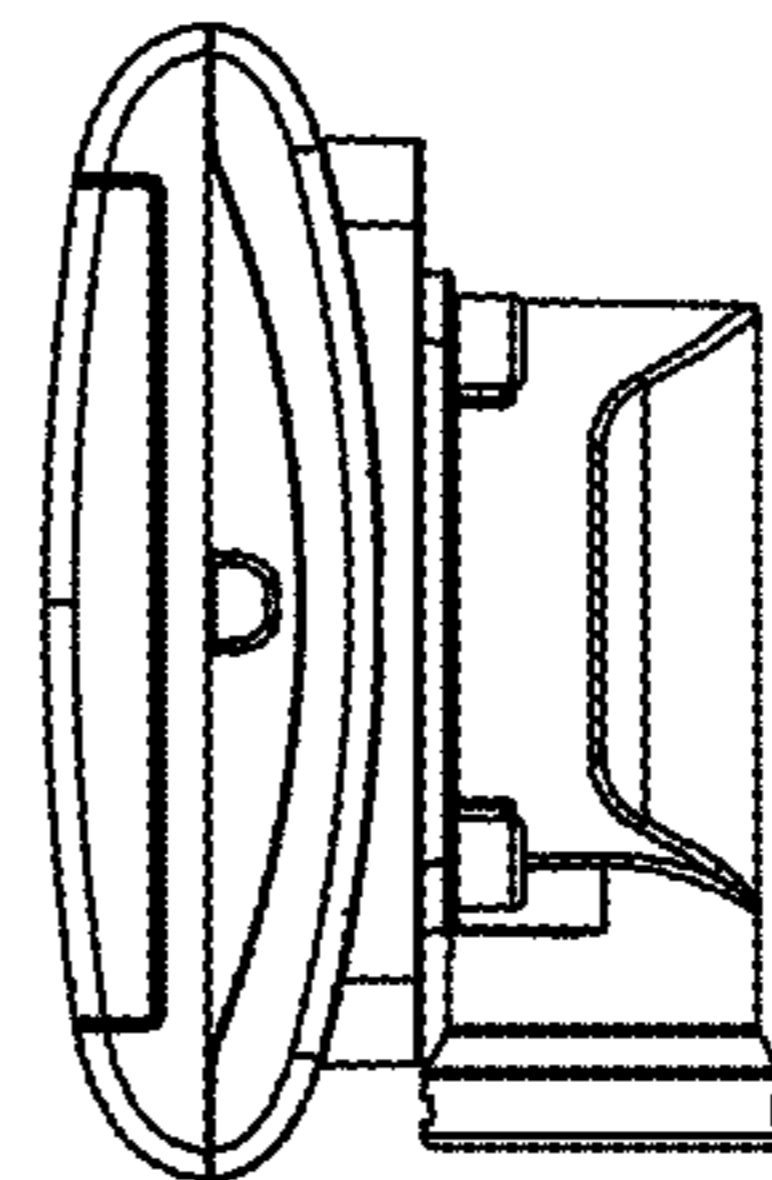


Fig. 56

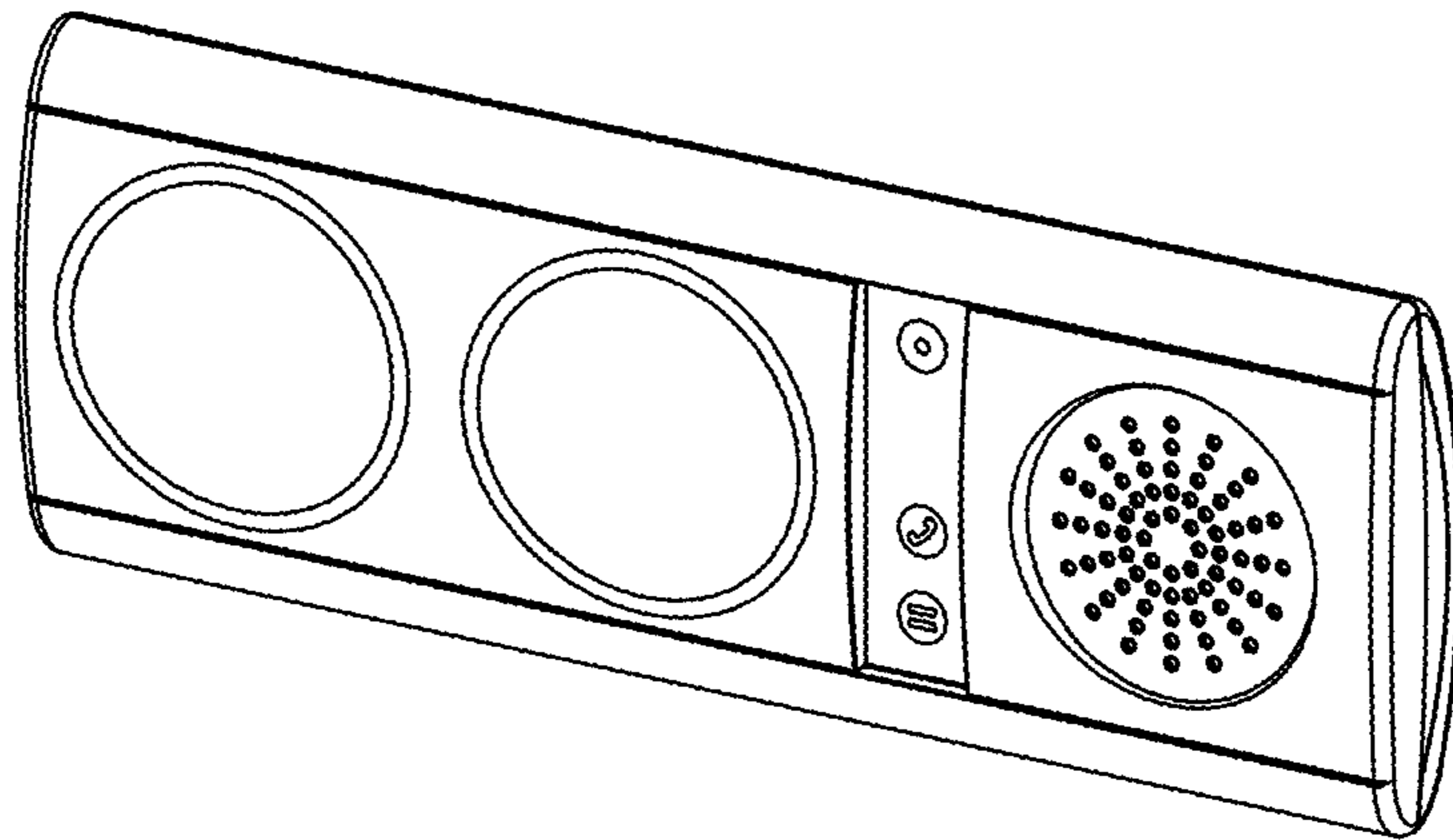


Fig. 57

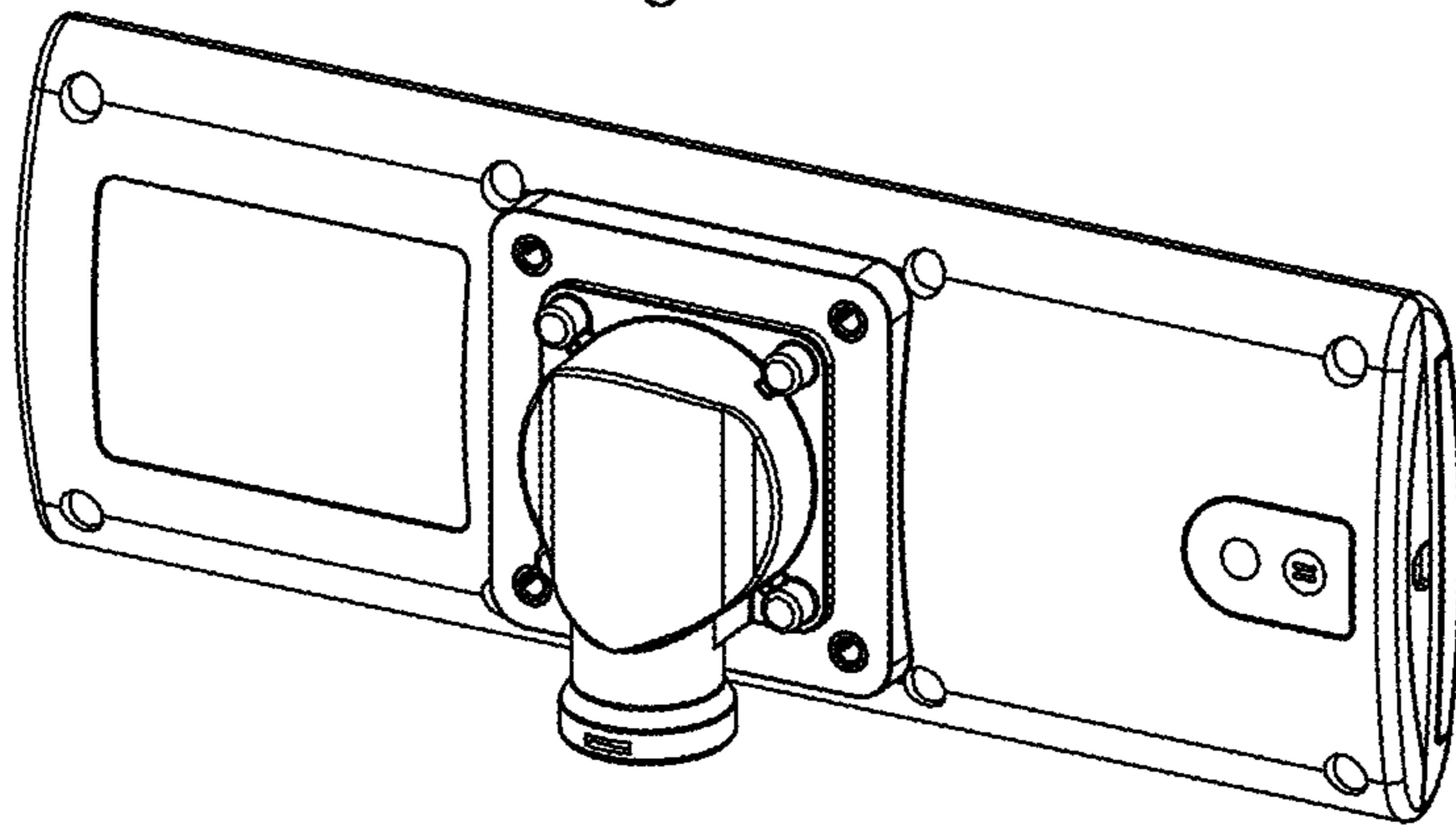


Fig. 58

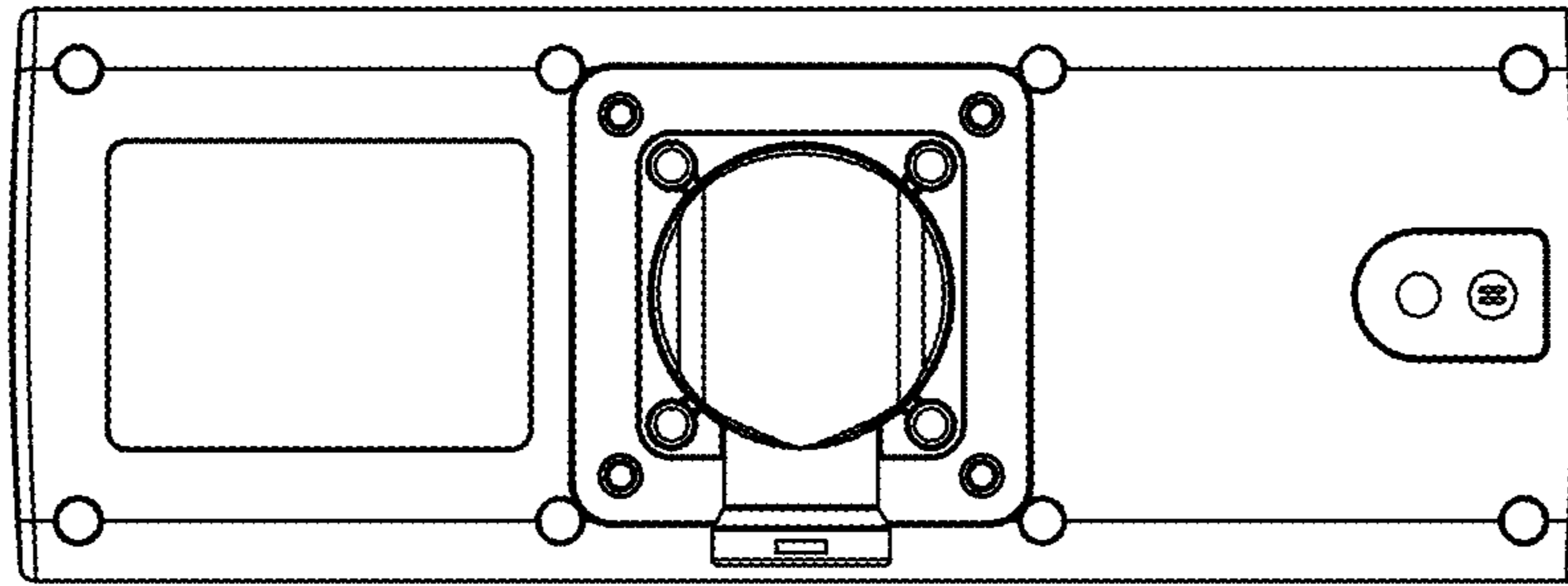


Fig. 60

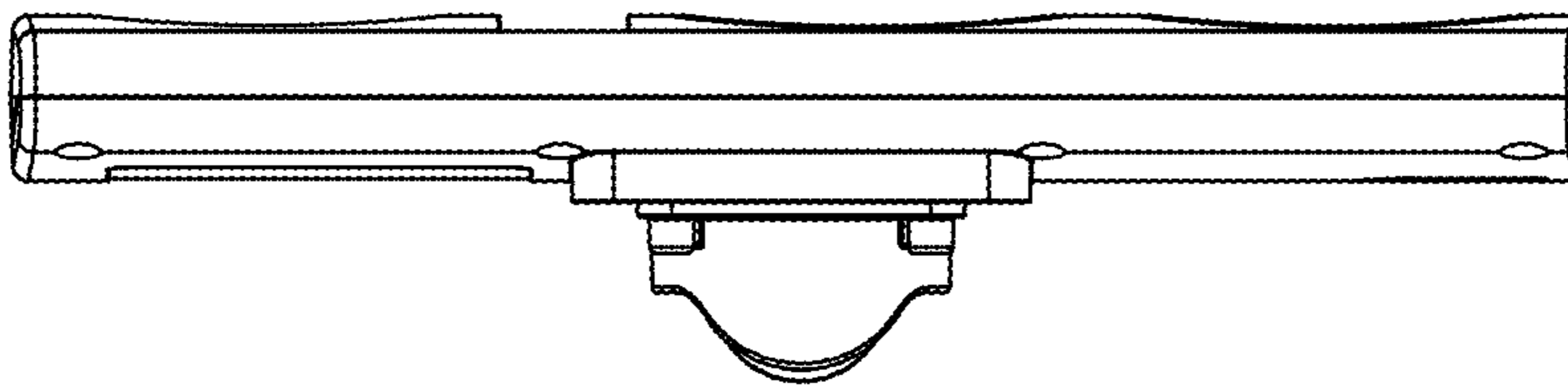


Fig. 62

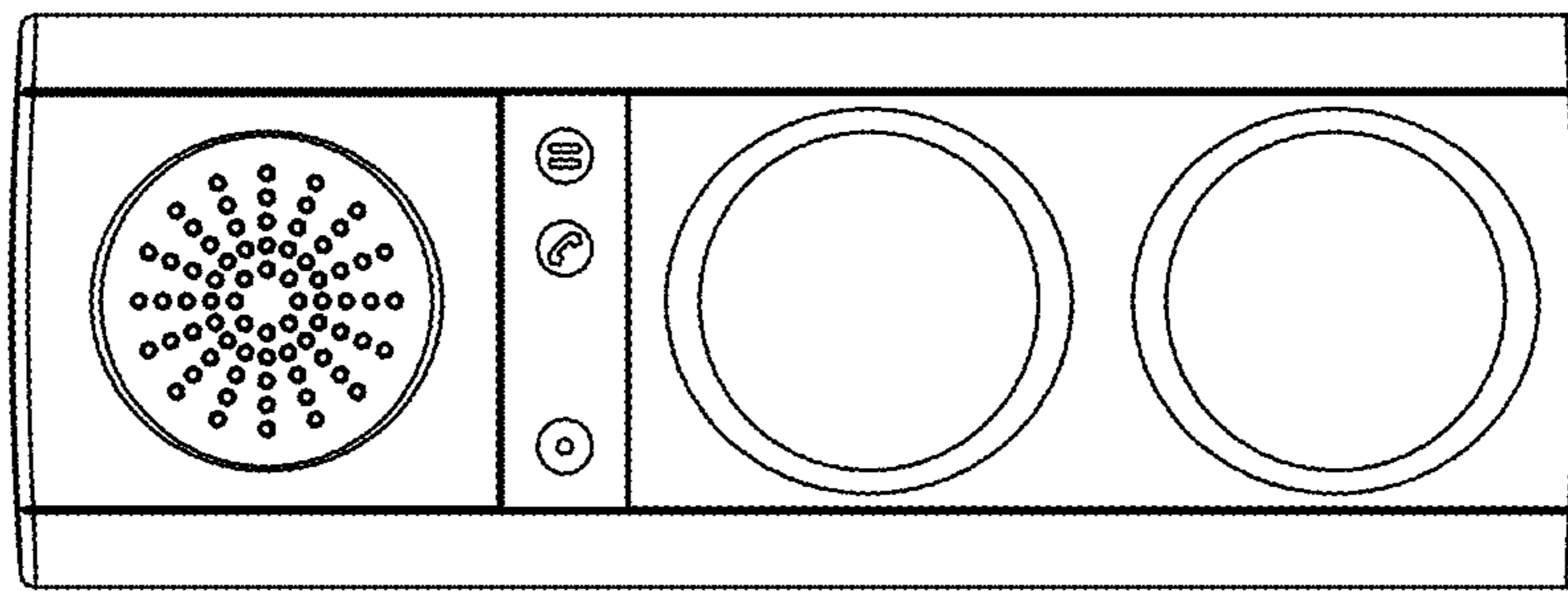


Fig. 59

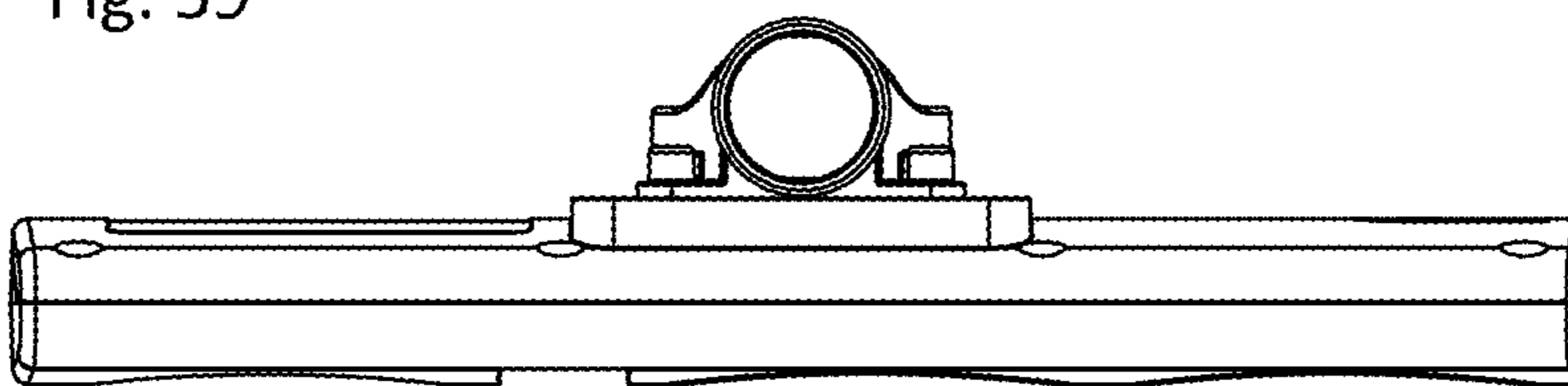


Fig. 61

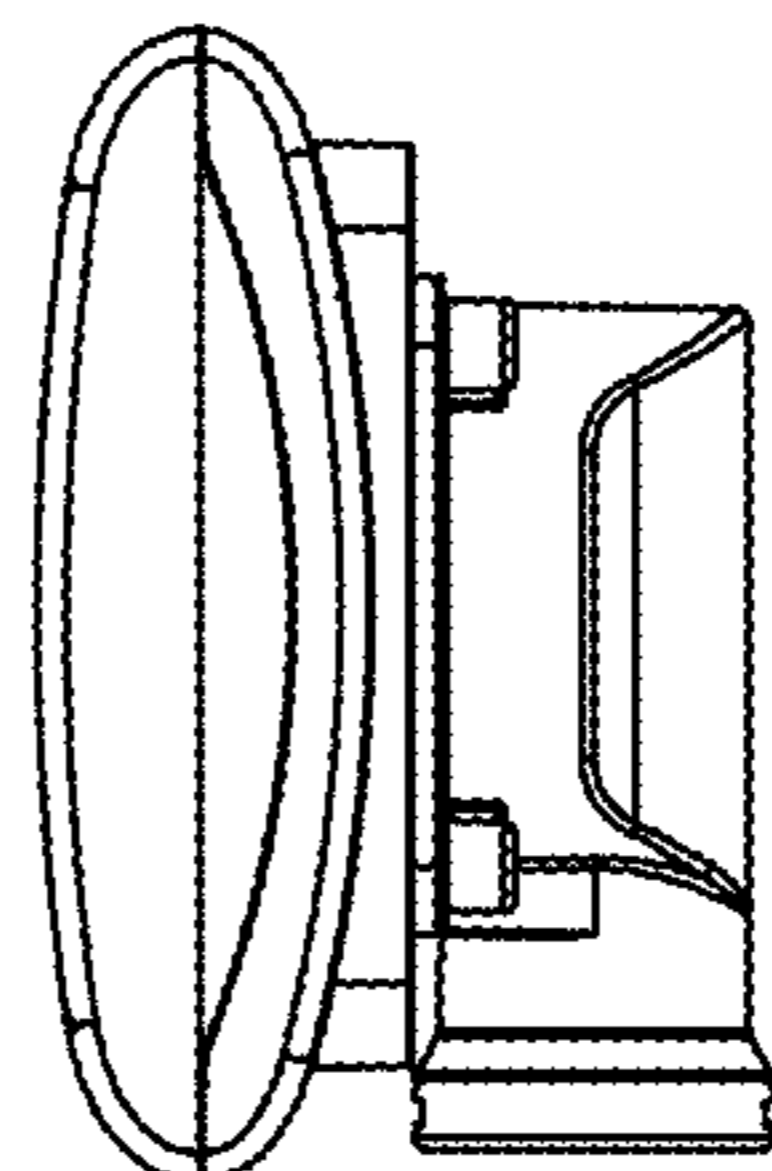


Fig. 63

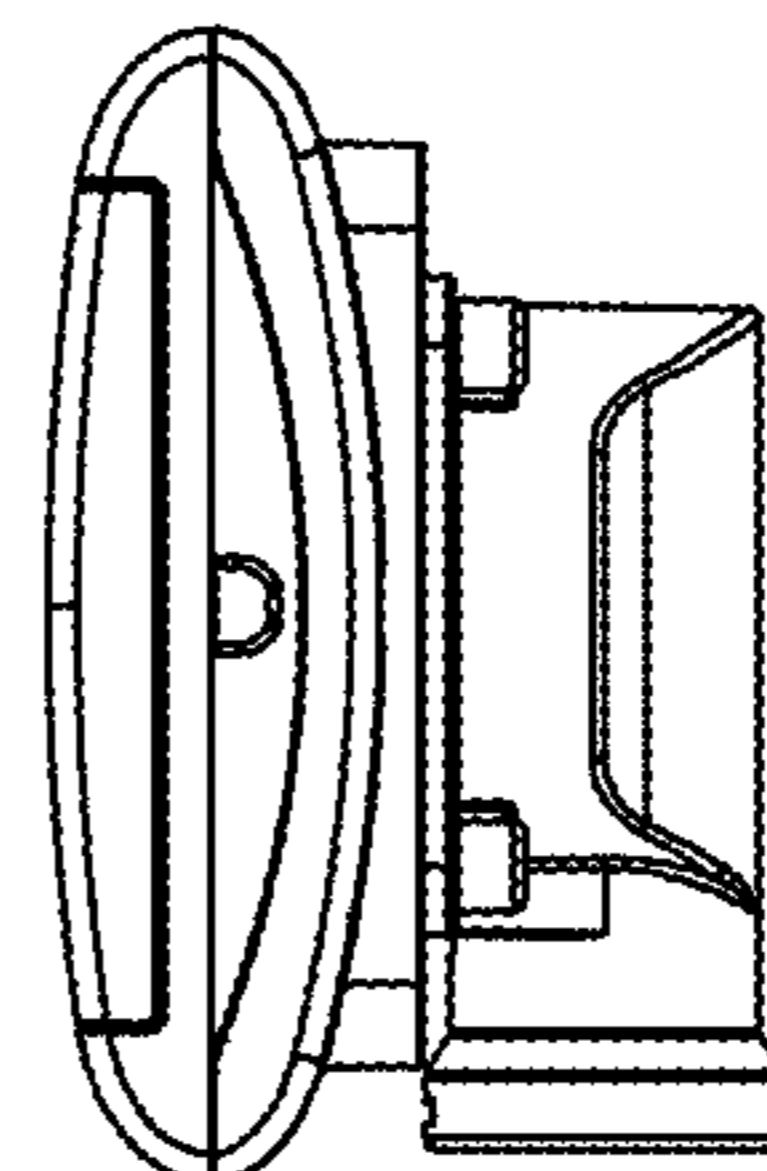


Fig. 64