



US00D761741S

(12) **United States Design Patent**
Santiago et al.

(10) **Patent No.:** **US D761,741 S**
(45) **Date of Patent:** **** Jul. 19, 2016**

(54) **CONTROL PANEL**

(56) **References Cited**

(71) Applicant: **Vivint, Inc.**, Provo, UT (US)

U.S. PATENT DOCUMENTS

(72) Inventors: **Todd Matthew Santiago**, Orem, UT (US); **James Ellis Nye**, Alpine, UT (US); **Jeremy Bruce Warren**, Draper, UT (US); **Alexander J. Dunn**, Orem, UT (US); **Bruce Ehlers**, Encinitas, CA (US); **Christopher Lee Harris**, Holladay, UT (US); **Scott Simon**, Melville, NY (US); **Lance Leo Dunn**, Colleyville, TX (US); **Christopher Acera**, Carlsbad, CA (US)

D315,315	S	3/1991	Stairs, Jr.
5,237,327	A	8/1993	Saitoh et al.
D344,684	S	3/1994	Metz et al.
5,850,333	A	12/1998	Owanesian et al.
D435,522	S	12/2000	Ohlwine et al.
D453,148	S	1/2002	Alexander et al.
D464,328	S	10/2002	Vasquez et al.
6,677,934	B1	1/2004	Blanchard
D498,426	S	11/2004	Svennberg
D506,151	S	6/2005	Roher et al.
D512,691	S	12/2005	Hisatsune
D513,737	S	1/2006	Riley

(73) Assignee: **VIVINT, INC.**, Provo, UT (US)

(Continued)

(**) Term: **15 Years**

Primary Examiner — Selina Sikder

(74) *Attorney, Agent, or Firm* — Holland & Hart

(21) Appl. No.: **29/526,869**

(57) **CLAIM**

The ornamental design for a control panel, substantially as shown and described.

(22) Filed: **May 13, 2015**

DESCRIPTION

Related U.S. Application Data

(63) Continuation of application No. 29/417,624, filed on Apr. 5, 2012, now Pat. No. Des. 731,442.

(51) **LOC (10) Cl.** **13-03**

(52) **U.S. Cl.**
USPC **D13/162**

(58) **Field of Classification Search**
USPC D13/162, 164; D10/49, 50; D14/443, D14/496

CPC ... F24F 11/00; F24F 11/0012; F24F 11/0086; F24F 11/0009; F24F 2011/0057; F24F 2011/0073; F24F 2011/0091; G05B 19/0426; G05B 19/049; G05B 15/02; G06F 1/1601; G06F 3/041; G06F 3/044; G06F 3/0482; G06F 3/0488; G06F 3/0489; G05D 23/1902; G05D 23/1905; G05D 23/1931; H05B 37/02; H01H 9/02

See application file for complete search history.

FIG. 1 is a front perspective view of an embodiment of a design for a control panel, which may be used in a security system, a home automation system, etc.;

FIG. 2 is a front view of the embodiment of the design for the control panel shown in FIG. 1;

FIG. 3 is a first side view of the embodiment of the design for the control panel shown in FIG. 1;

FIG. 4 is a second side view of the embodiment of the design for the control panel shown in FIG. 1;

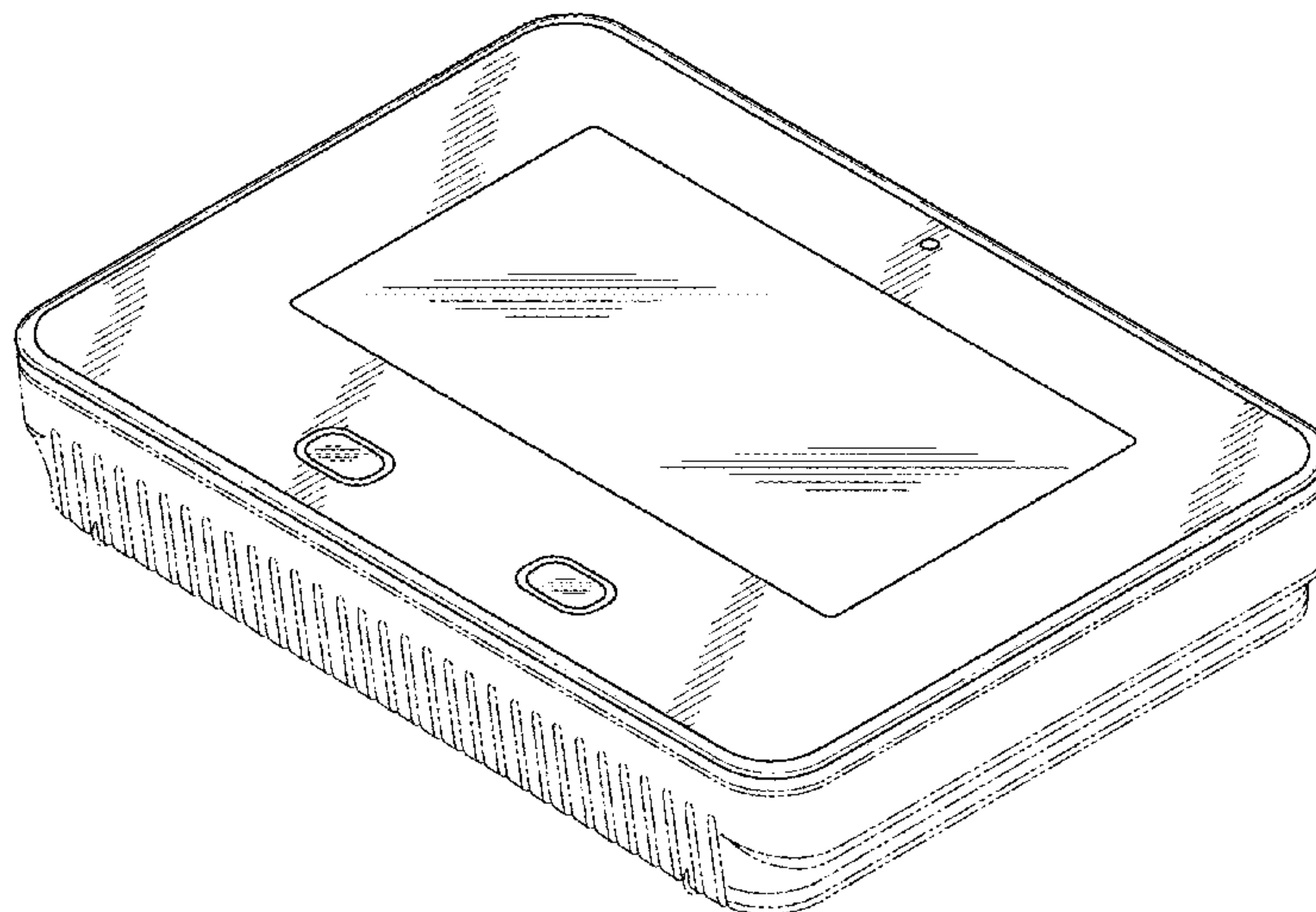
FIG. 5 is a top view of the embodiment of the design for the control panel shown in FIG. 1;

FIG. 6 is a bottom view of the embodiment of the design for the control panel shown in FIG. 1; and,

FIG. 7 is a rear view of the embodiment of the design for the control panel shown in FIG. 1.

The broken line showing of the control panel is for illustrative purposes only and forms no part of the claimed design.

1 Claim, 3 Drawing Sheets



(56)

References Cited

U.S. PATENT DOCUMENTS

D525,541 S	7/2006	Barton et al.	D649,073 S	11/2011	Baskinger et al.
D551,577 S	9/2007	Barton et al.	D667,740 S	9/2012	Leung
D553,347 S	10/2007	Cooney	D672,666 S	12/2012	Rhodes et al.
D556,061 S	11/2007	Rosen	D679,205 S	4/2013	Eyring et al.
D559,197 S	1/2008	Lim et al.	D695,234 S	12/2013	Santiago et al.
D562,259 S	2/2008	Kosche	D727,857 S *	4/2015	Acera D13/162
D568,257 S	5/2008	Tatsuyama et al.	D731,442 S *	6/2015	Santiago D13/162
D578,026 S	10/2008	Roher et al.	D734,179 S *	7/2015	Golden D10/50
D582,800 S	12/2008	Comerford et al.	D738,756 S *	9/2015	Jiang D10/50
D582,801 S	12/2008	Comerford et al.	D741,269 S *	10/2015	Bhattacharya D10/50
D592,982 S	5/2009	Burt et al.	D742,335 S *	11/2015	Yamaguchi D10/49
D603,807 S	11/2009	Mehnert et al.	D745,420 S *	12/2015	Li D10/50
D614,585 S	4/2010	Kuroda et al.	2004/0095332 A1	5/2004	Blanchard
D648,641 S	11/2011	Wallaert et al.	2004/0164966 A1	8/2004	Lee
			2006/0055681 A1	3/2006	West et al.
			2009/0174996 A1	7/2009	Park

* cited by examiner

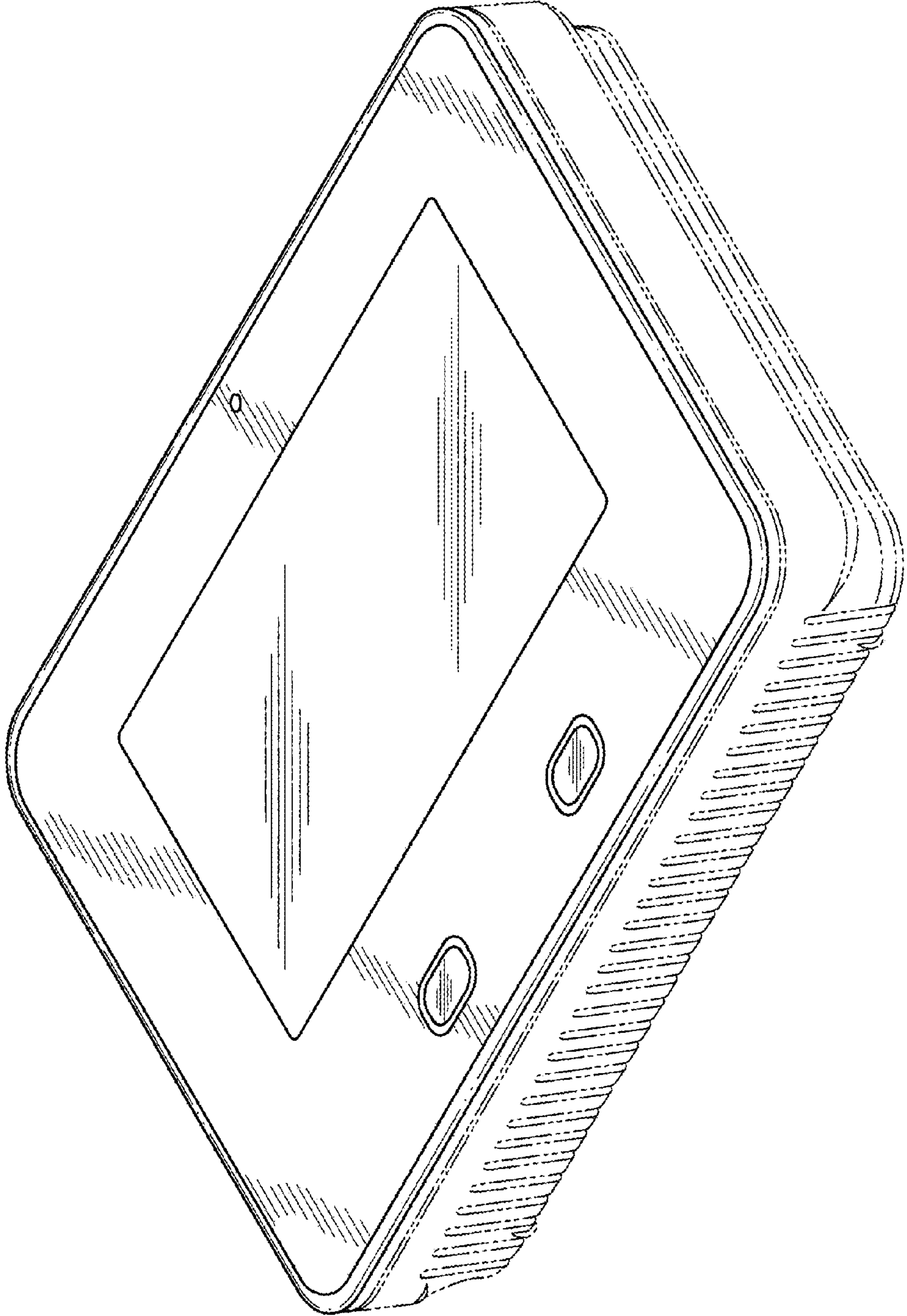


FIG. 1

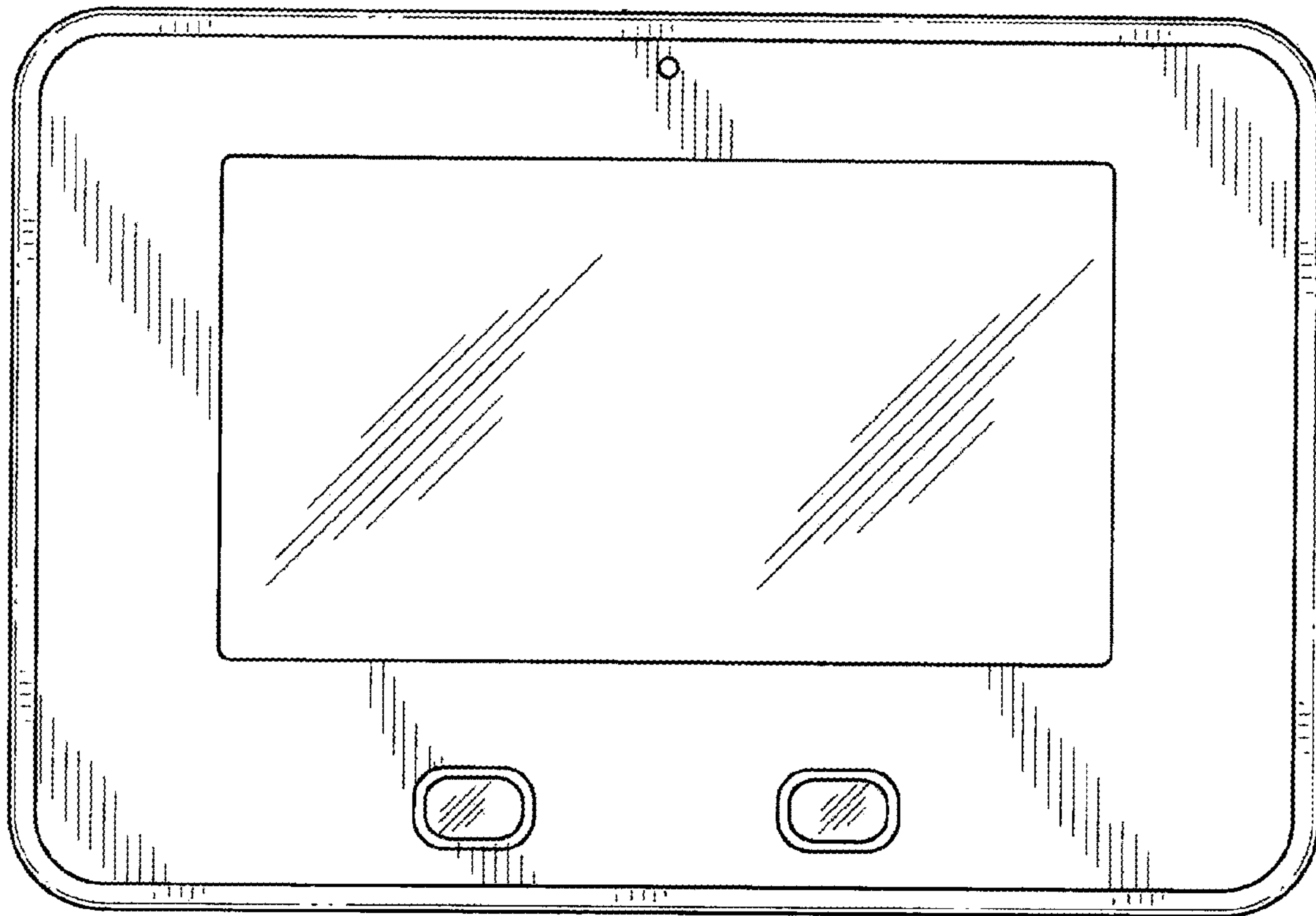


FIG. 2

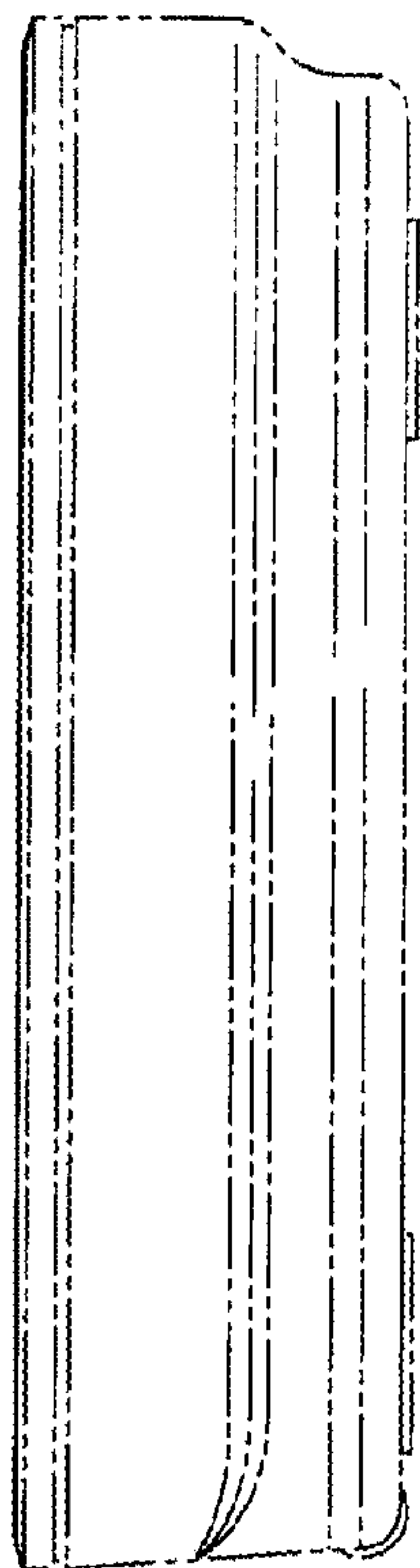


FIG. 3

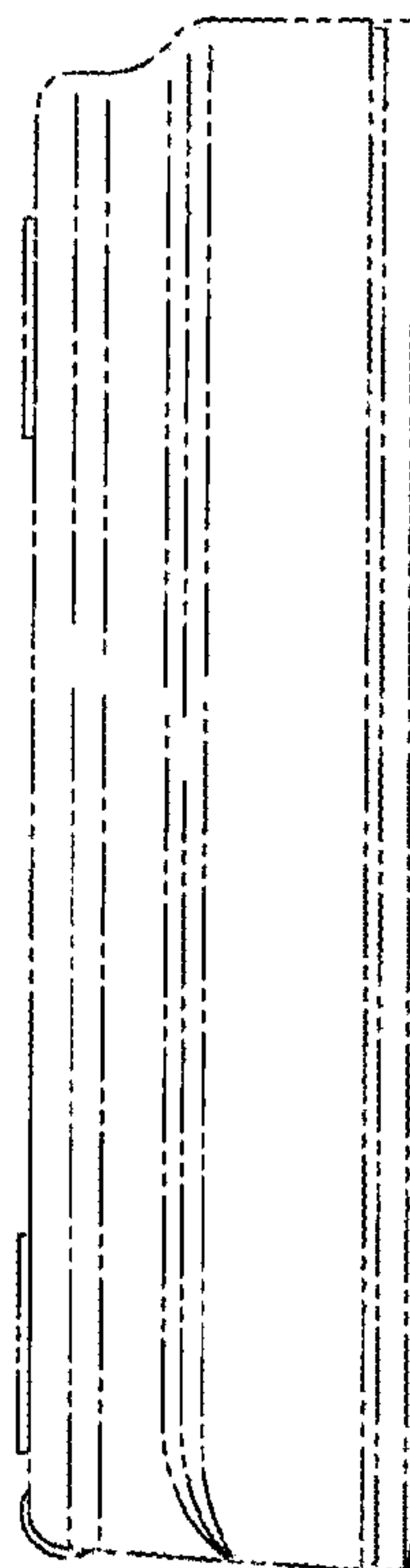


FIG. 4

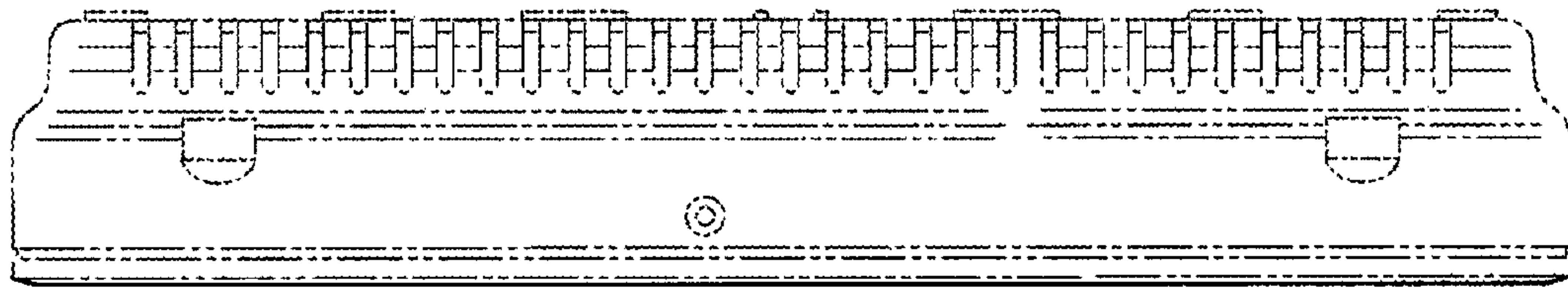


FIG. 5

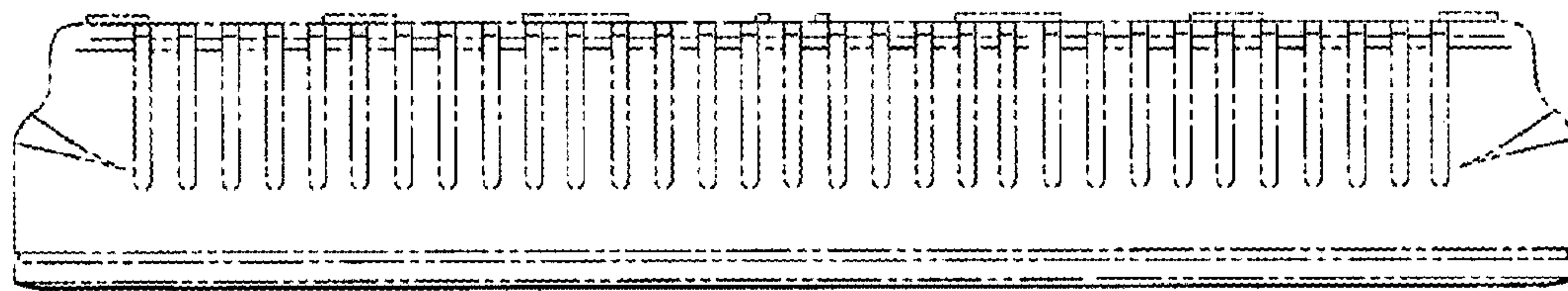


FIG. 6

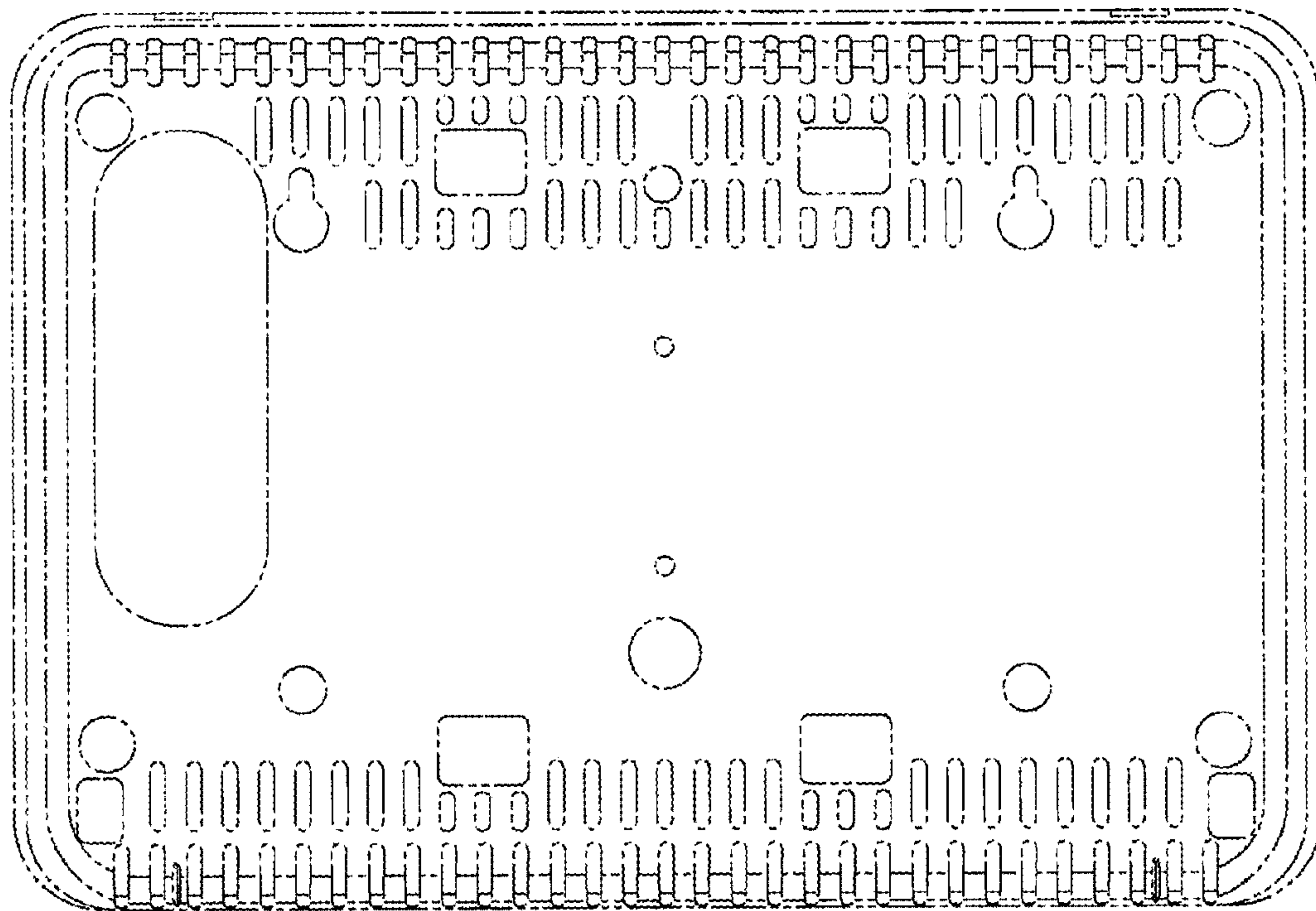


FIG. 7