



US00D761738S

(12) **United States Design Patent**
Hühne et al.

(10) **Patent No.:** **US D761,738 S**
(45) **Date of Patent:** **** Jul. 19, 2016**

(54) **SWITCHING DEVICE FOR PRODUCTION,
DISTRIBUTION OR TRANSFORMATION OF
ELECTRICITY**

(71) Applicant: **Siemens Aktiengesellschaft, München
(DE)**
(72) Inventors: **Stephan Hühne, Fürth (DE); Tobias
Reese, Bamberg (DE); Wolfgang
Schaller, Kümmerbruck (DE)**
(73) Assignee: **SIEMENS
AKTIENGESELLSCHAFT, München
(DE)**
(**) Term: **14 Years**
(21) Appl. No.: **29/509,229**
(22) Filed: **Nov. 14, 2014**

Related U.S. Application Data

(62) Division of application No. 29/462,127, filed on Jul. 31, 2013, now Pat. No. Des. 735,143.

Foreign Application Priority Data

Jan. 31, 2013 (EM) 001359582
(51) **LOC (10) Cl.** **13-03**
(52) **U.S. Cl.**
USPC **D13/158**
(58) **Field of Classification Search**
USPC D13/110, 112, 123, 133, 158-162, 173,
D13/184, 199
CPC H01H 3/22; H01H 9/02; H01H 9/54;
H01H 11/00; H01H 21/04; H01H 27/10;
H01H 33/38; H01H 71/00; H01H 71/02;
H01H 71/04; H01H 71/08; H01H 71/12;
H01H 71/24; H01F 17/04; H01R 25/00;
H01R 4/36

See application file for complete search history.

(56) **References Cited**

U.S. PATENT DOCUMENTS

4,890,184	A	*	12/1989	Russell	H02H 3/24 335/20
D310,822	S	*	9/1990	Danek	D13/162.1
D319,627	S	*	9/1991	Smith	D13/160
D367,265	S	*	2/1996	Yamagata	D13/160
D442,146	S	*	5/2001	Greenberg	D13/160
D498,212	S	*	11/2004	Kim	D13/160
D499,700	S	*	12/2004	Raabe	D13/160
D499,701	S	*	12/2004	Kim	D13/160
D511,502	S	*	11/2005	Kim	D13/160
D547,729	S	*	7/2007	Azzola	D13/160
D611,002	S	*	3/2010	Azzola	D13/160
D616,832	S	*	6/2010	Corteel	D13/161
D687,387	S	*	8/2013	Besana	D13/160

(Continued)

Primary Examiner — Thomas Johannes

Assistant Examiner — Shawn T Gingrich

(74) *Attorney, Agent, or Firm* — Henry M. Feiereisen LLC;
Ursula B. Day

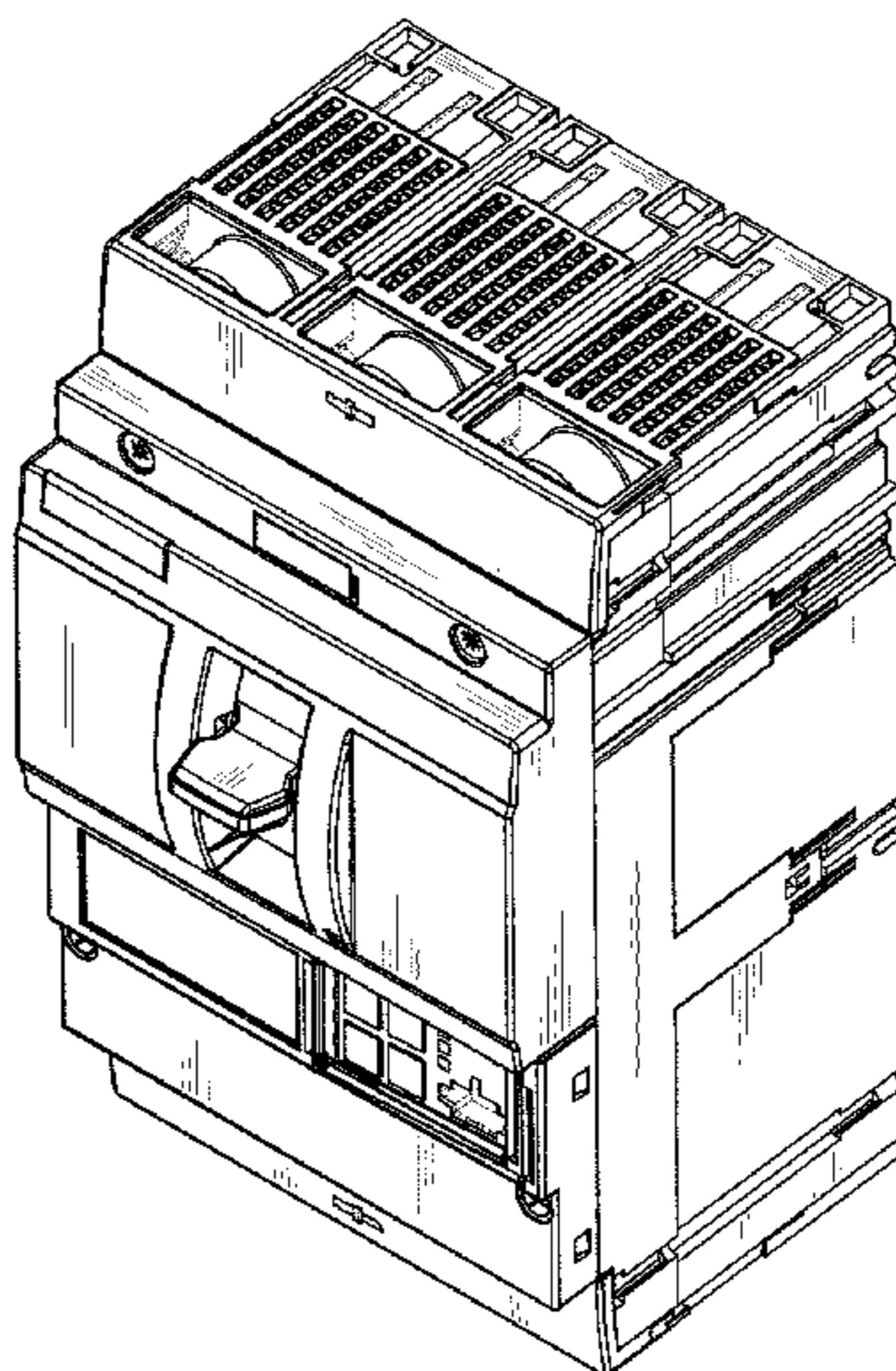
(57) **CLAIM**

The ornamental design for a switching device for producing, distributing or transforming electricity, as shown and described.

DESCRIPTION

FIG. 1 is a front elevation view of a switching device for producing distributing and/or transforming electricity showing our new design;
FIG. 2 is a rear elevation view thereof;
FIG. 3 is a top elevation view thereof;
FIG. 4 is a bottom elevation view thereof;
FIG. 5 is a left side elevation view thereof;
FIG. 6 is a right side elevation view thereof; and,
FIG. 7 is a front left side perspective view thereof.
The broken line portion of the figure drawings is included to show portions of the article hat form no part of the claimed design.

1 Claim, 7 Drawing Sheets



(56)

References Cited

U.S. PATENT DOCUMENTS

D707,636 S * 6/2014 Besana D13/160
D735,143 S * 7/2015 Huhne D13/158
2008/0246566 A1* 10/2008 Oh H01H 71/08
335/197
2012/0024680 A1* 2/2012 Grunwald H01H 71/08
200/293
2013/0203302 A1* 8/2013 Grunwald H01R 4/36
439/814

2013/0220784 A1* 8/2013 Castaneda
Arriaga H01H 71/025
200/293
2013/0284702 A1* 10/2013 Hamada H01H 9/302
218/26
2015/0129400 A1* 5/2015 Oh H01H 3/22
200/293
2015/0262778 A1* 9/2015 Sohn H01H 71/04
361/102

* cited by examiner

FIG 1

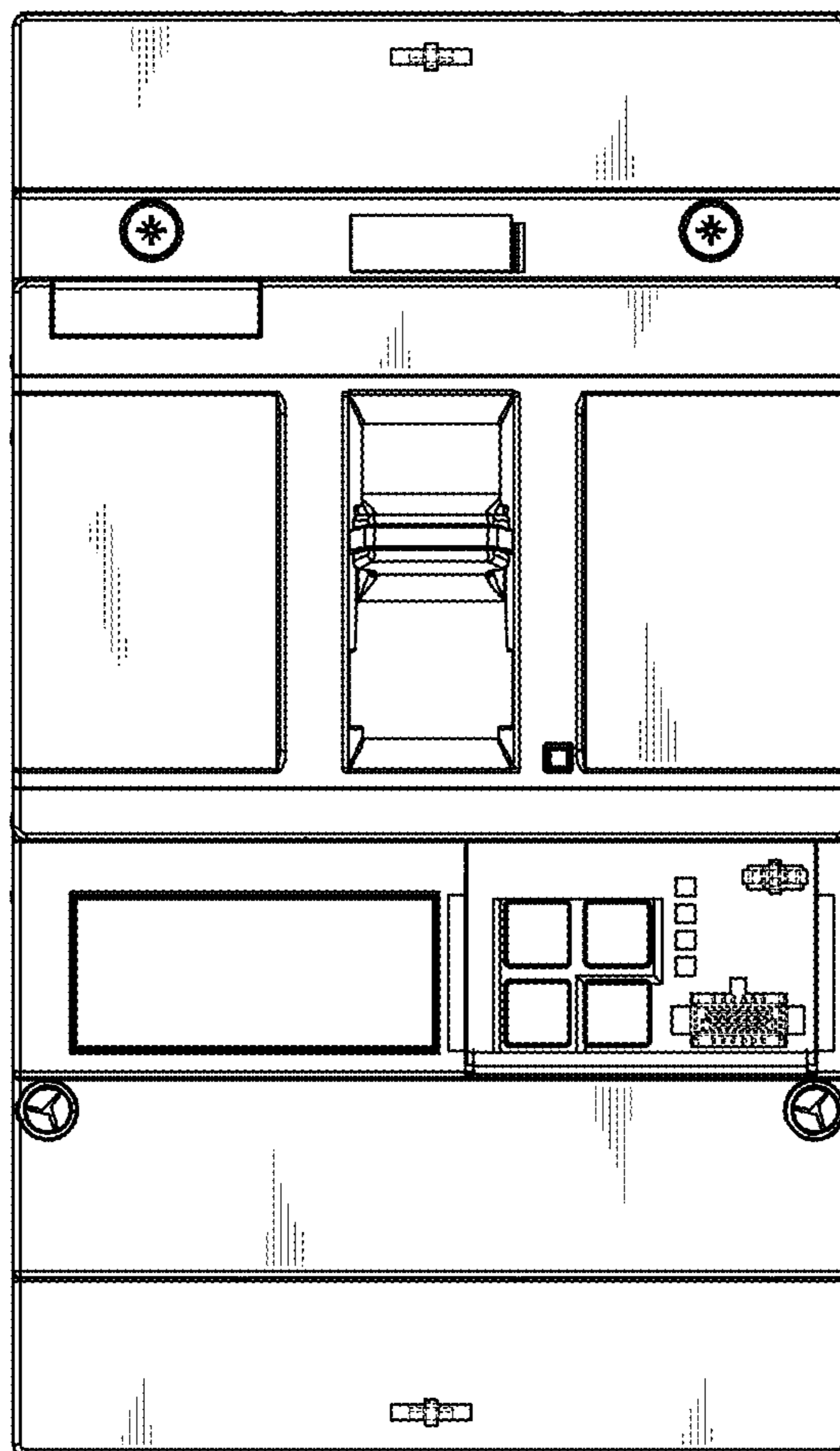


FIG 2

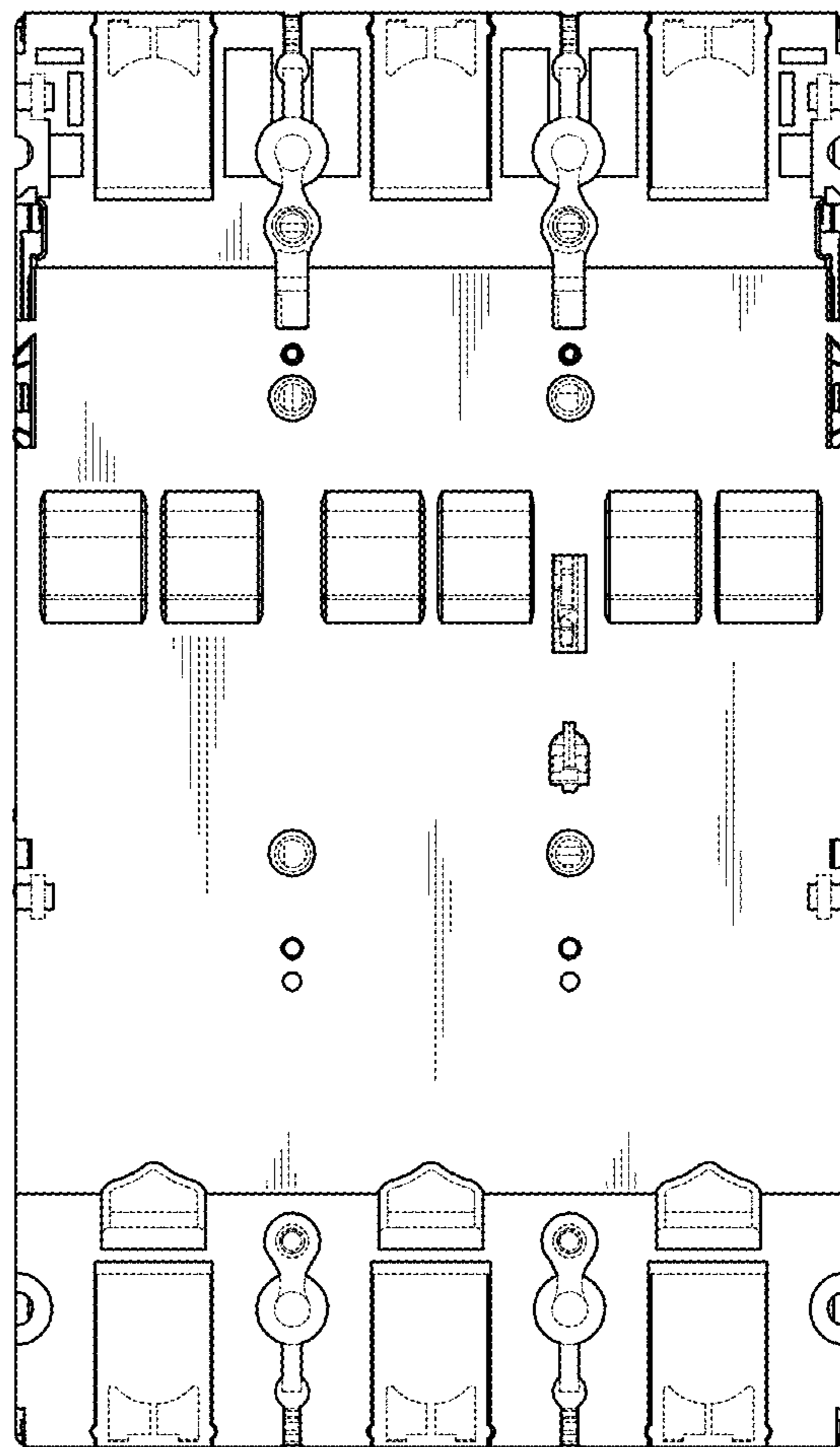


FIG 3

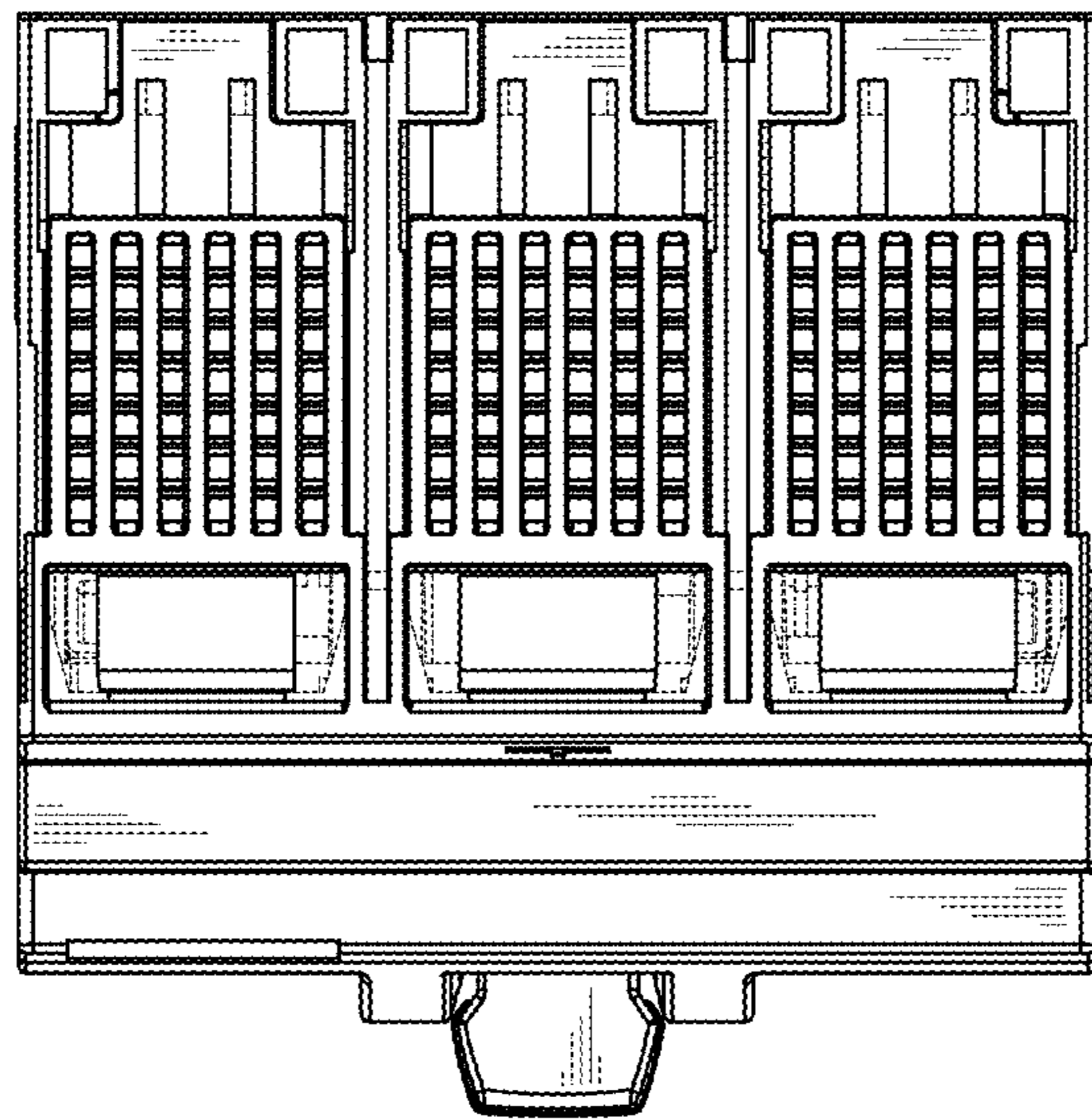


FIG 4

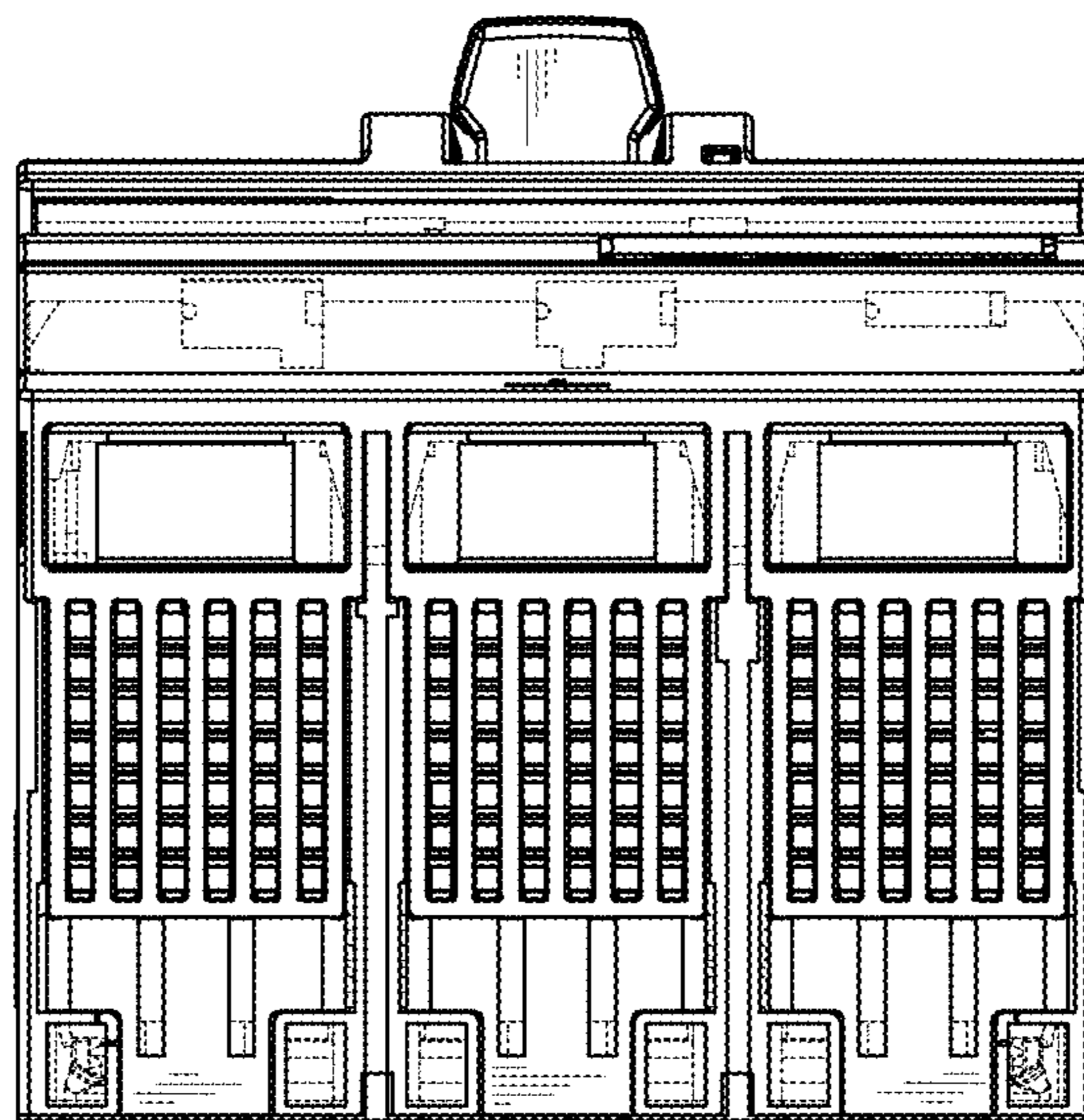


FIG. 5

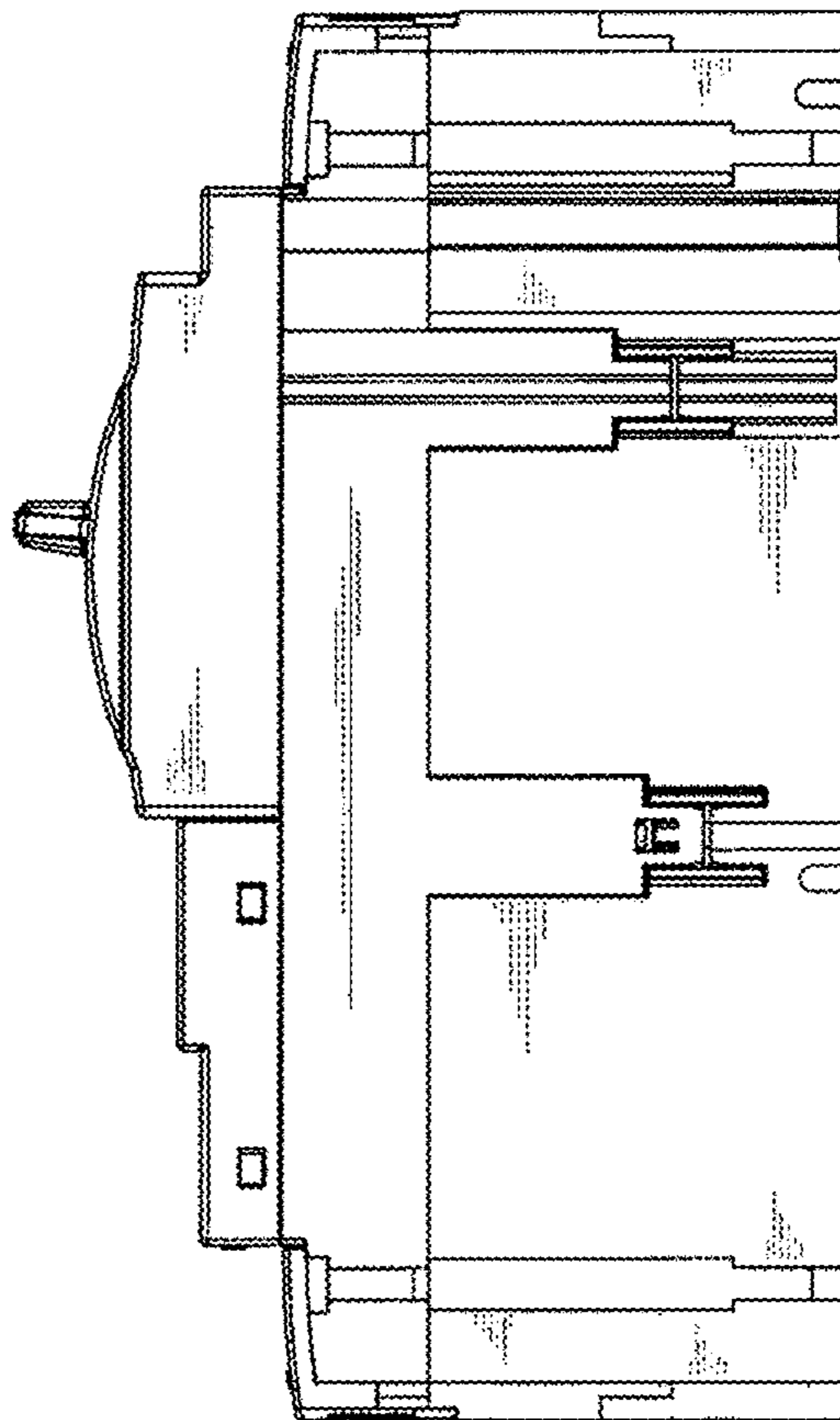


FIG. 6

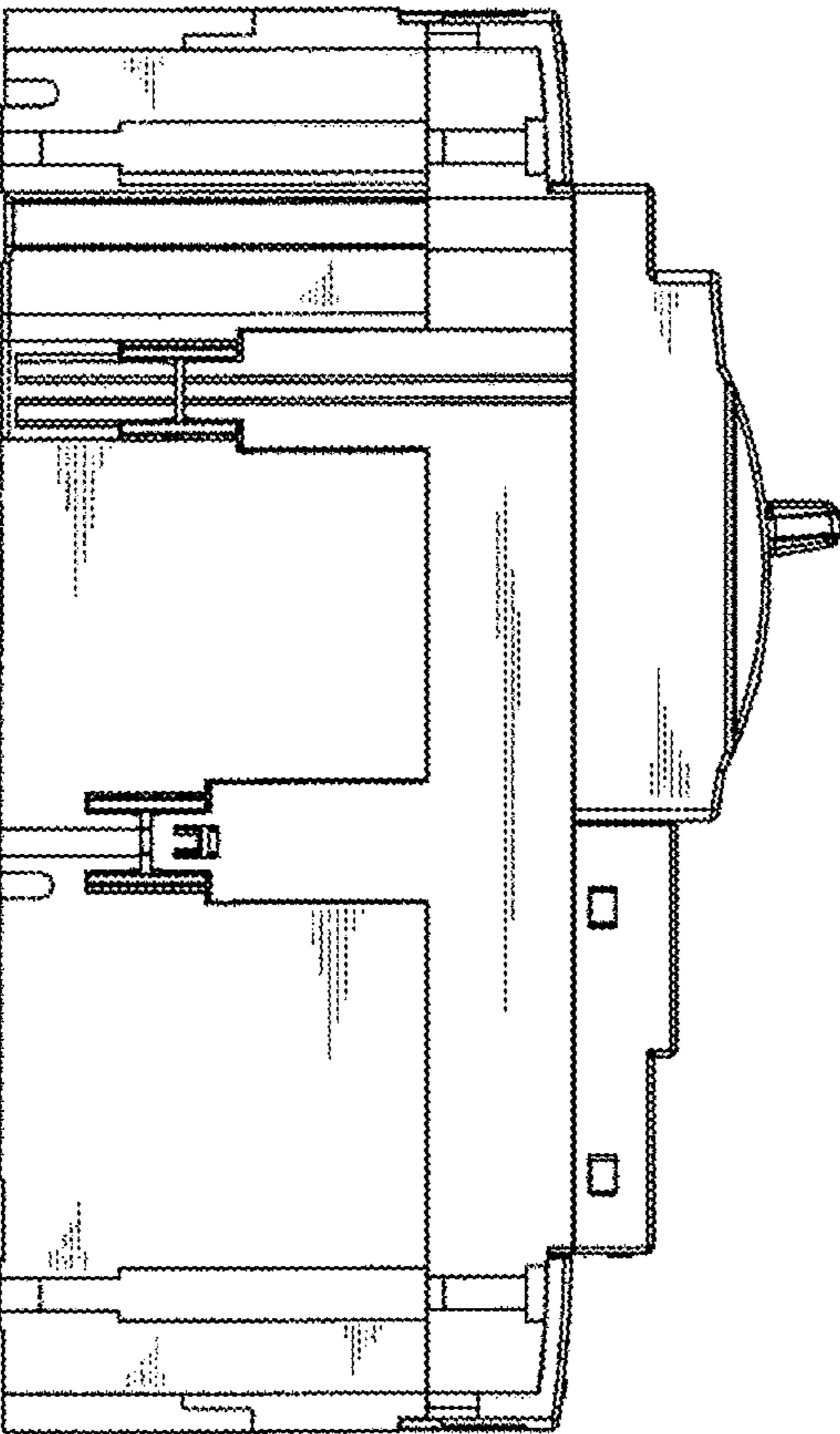


FIG 7

