



US00D761736S

(12) **United States Design Patent**
Imai et al.

(10) **Patent No.:** **US D761,736 S**
(45) **Date of Patent:** **** Jul. 19, 2016**

(54) **NON-CONTACT TYPE DATA CARRIER**

FOREIGN PATENT DOCUMENTS

(71) Applicant: **Sony Corporation**, Tokyo (JP)

JP H10-236043 A1 9/1998
JP 2011-170592 9/2011

(72) Inventors: **Hideki Imai**, Saitama (JP); **Isao Soma**,
Tokyo (JP); **Kazuyoshi Takemura**,
Tokyo (JP)

OTHER PUBLICATIONS

Decision on Appeal issued in Japanese Application No. 2012-019233, dated Oct. 30, 2015.

(73) Assignee: **Sony Corporation**, Tokyo (JP)

Primary Examiner — Rosemary K Tarcza
Assistant Examiner — Sanjeev Paul

(**) Term: **14 Years**

(74) *Attorney, Agent, or Firm* — Michael Best & Friedrich LLP

(21) Appl. No.: **29/442,299**

(57) **CLAIM**

(22) Filed: **Jan. 28, 2013**

The ornamental design for a non-contact type data carrier, as shown and described.

(30) **Foreign Application Priority Data**

DESCRIPTION

Aug. 9, 2012 (JP) D2012-019230
Aug. 9, 2012 (JP) D2012-019231
Aug. 9, 2012 (JP) D2012-019232
Aug. 9, 2012 (JP) D2012-019233
Aug. 9, 2012 (JP) D2012-019234
Aug. 9, 2012 (JP) D2012-019235

FIG. 1 is a perspective view of a first embodiment of a non-contact type data carrier showing our new design; and FIG. 2 is a front elevational view thereof. FIG. 3 is a perspective view of a second embodiment of a non-contact type data carrier showing our new design; and FIG. 4 is a front elevational view thereof. FIG. 5 is a perspective view of a third embodiment of a non-contact type data carrier showing our new design; and FIG. 6 is a front elevational view thereof. FIG. 7 is a perspective view of a fourth embodiment of a non-contact type data carrier showing our new design; and FIG. 8 is a front elevational view thereof. FIG. 9 is a perspective view of a fifth embodiment of a non-contact type data carrier showing our new design; and FIG. 10 is a front elevational view thereof. FIG. 11 is a front, top, right perspective view of a sixth embodiment of a non-contact type data carrier showing our new design; and, FIG. 12 is a front elevational view thereof. The broken lines illustrate the unclaimed portions of the non-contact type data carrier and form no part of claimed design.

(51) **LOC (10) Cl.** **13-03**

(52) **U.S. Cl.**
USPC **D13/154**

(58) **Field of Classification Search**
USPC D13/133, 146, 147, 153, 154, 188, 199;
D14/230
CPC .. H04B 5/0031; H04B 5/0037; H04B 5/0062;
H04B 5/0075; H04B 5/02; H04B 5/00
See application file for complete search history.

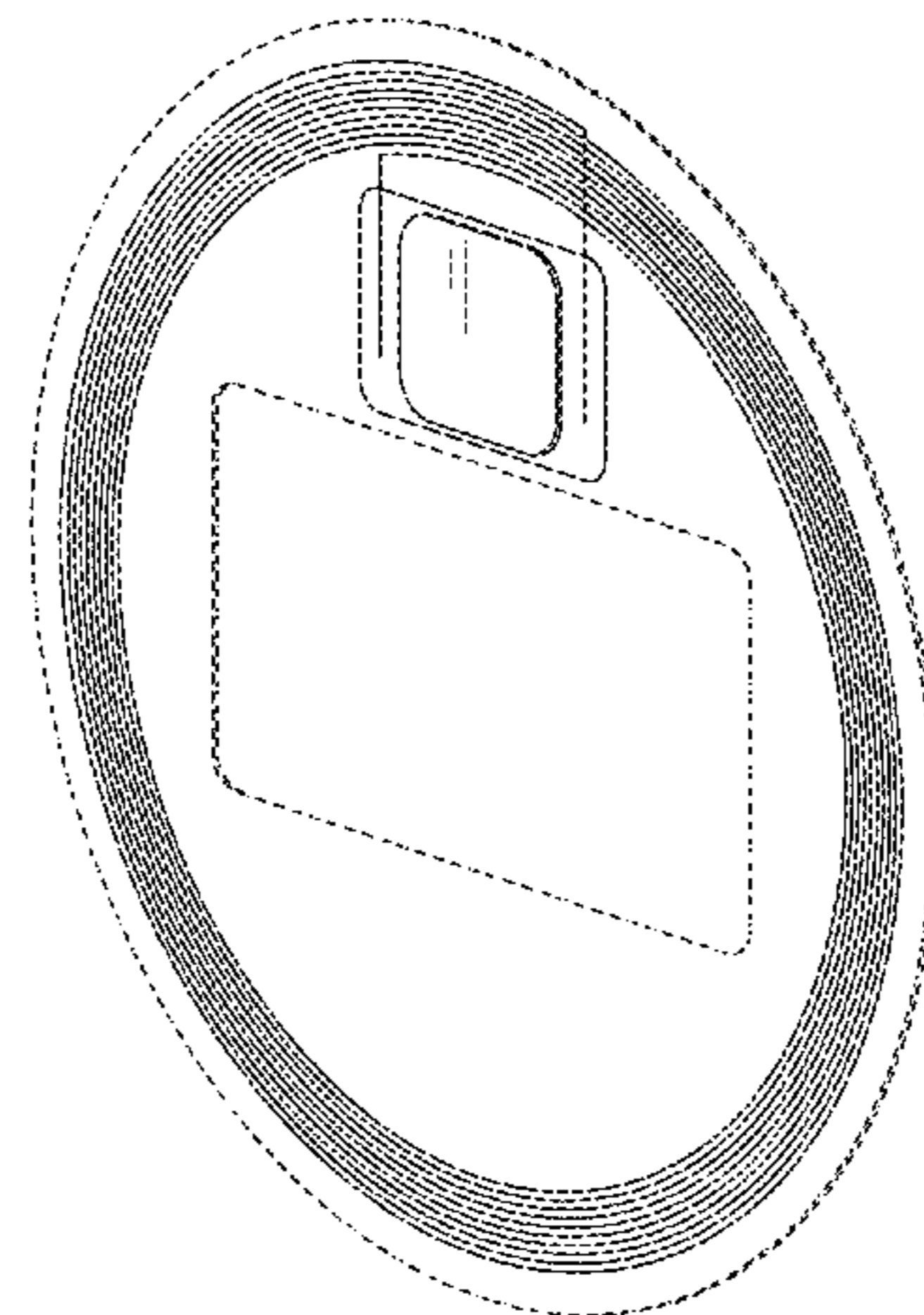
(56) **References Cited**

U.S. PATENT DOCUMENTS

D474,472 S * 5/2003 Maekawa et al. D14/436
D534,135 S * 12/2006 Monique D13/199

(Continued)

1 Claim, 12 Drawing Sheets



US D761,736 S

Page 2

(56)

References Cited

U.S. PATENT DOCUMENTS

D570,337 S * 6/2008 Oliver D14/230

2006/0028384 A1* 2/2006 Akiho et al. 343/742
2011/0275318 A1* 11/2011 Sato et al. 455/41.1
2014/0292610 A1* 10/2014 Iwahashi et al. 343/867

* cited by examiner

FIG. 1

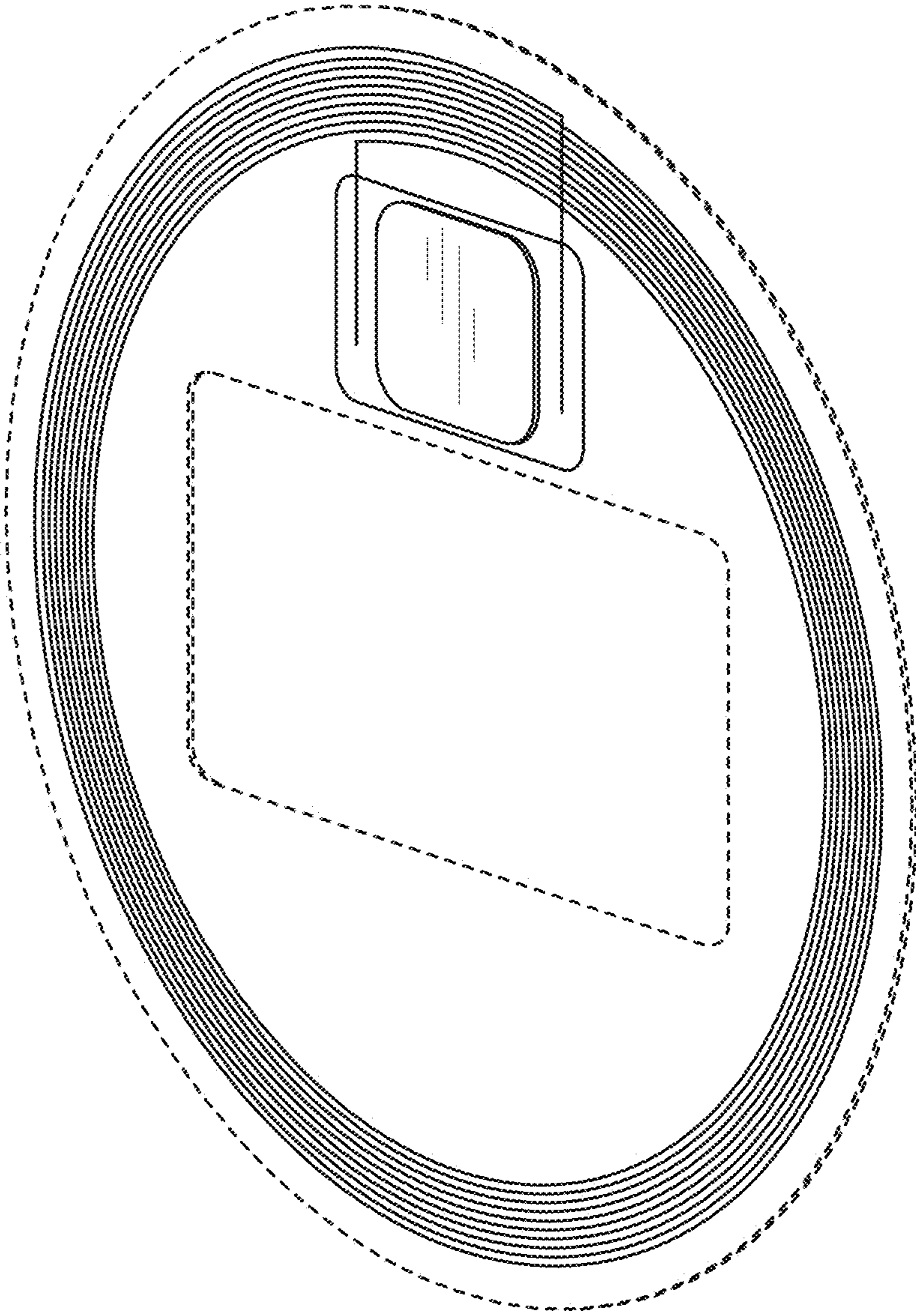


FIG.2

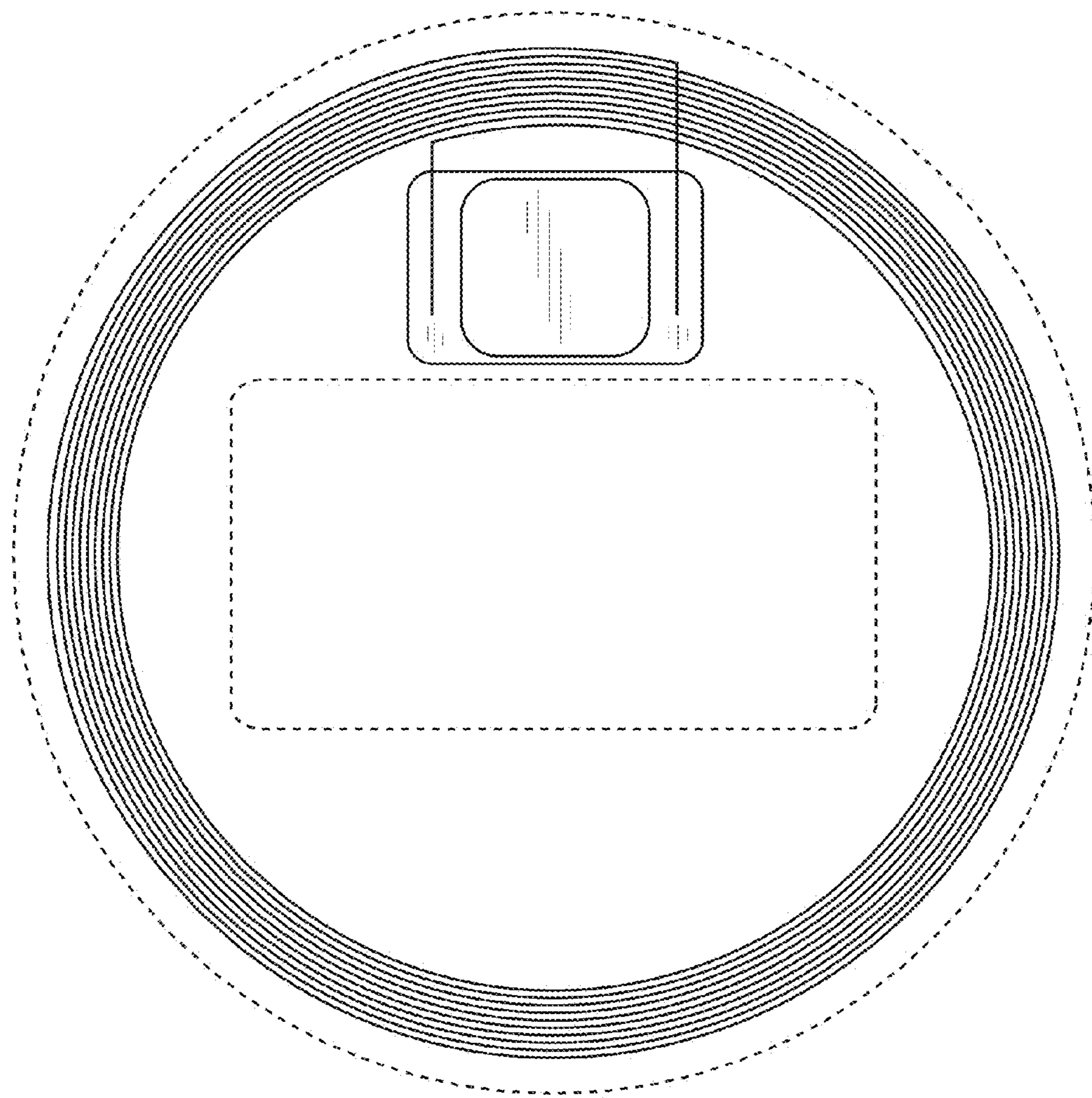


FIG.3

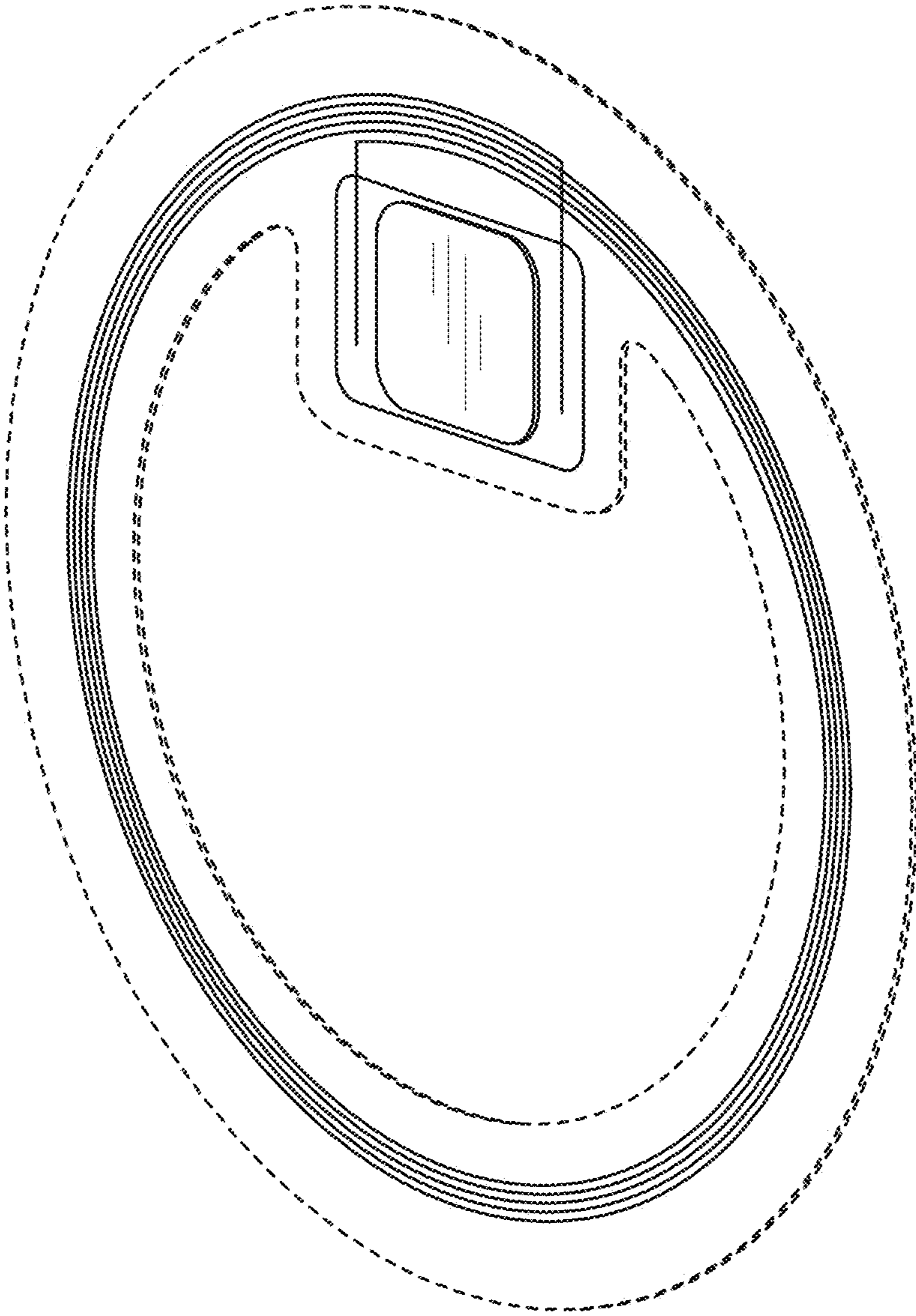


FIG.4

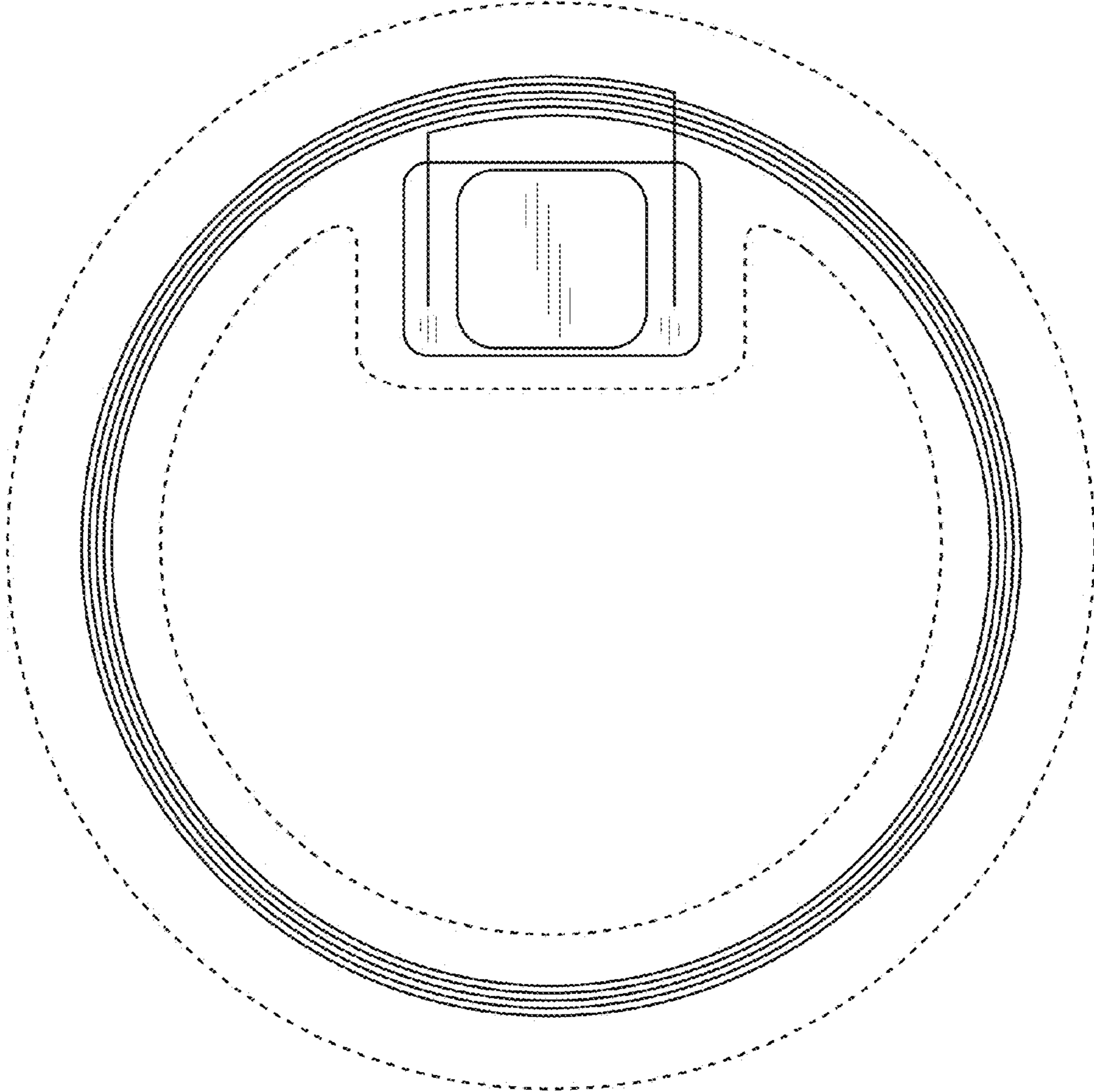


FIG.5

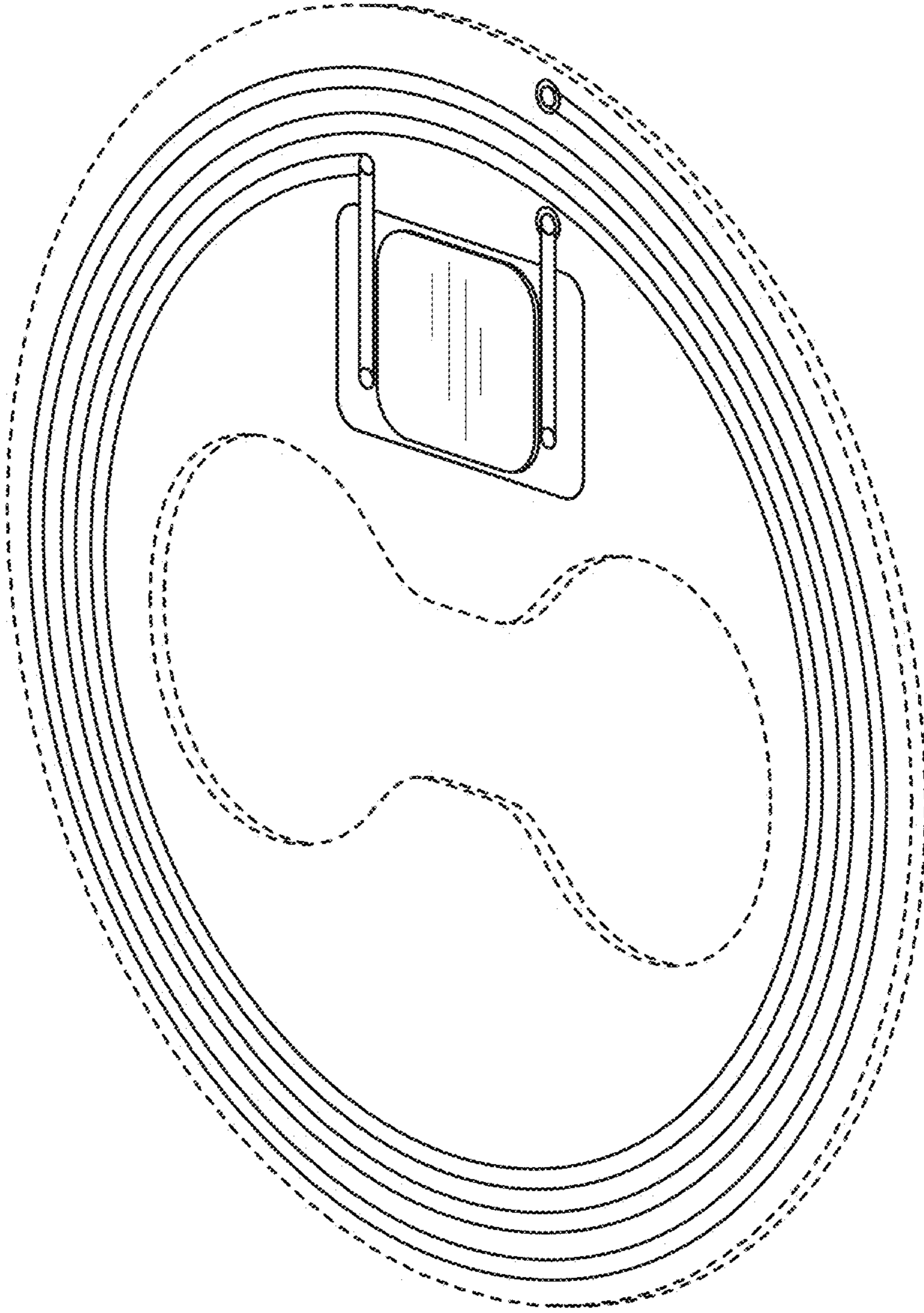


FIG.6

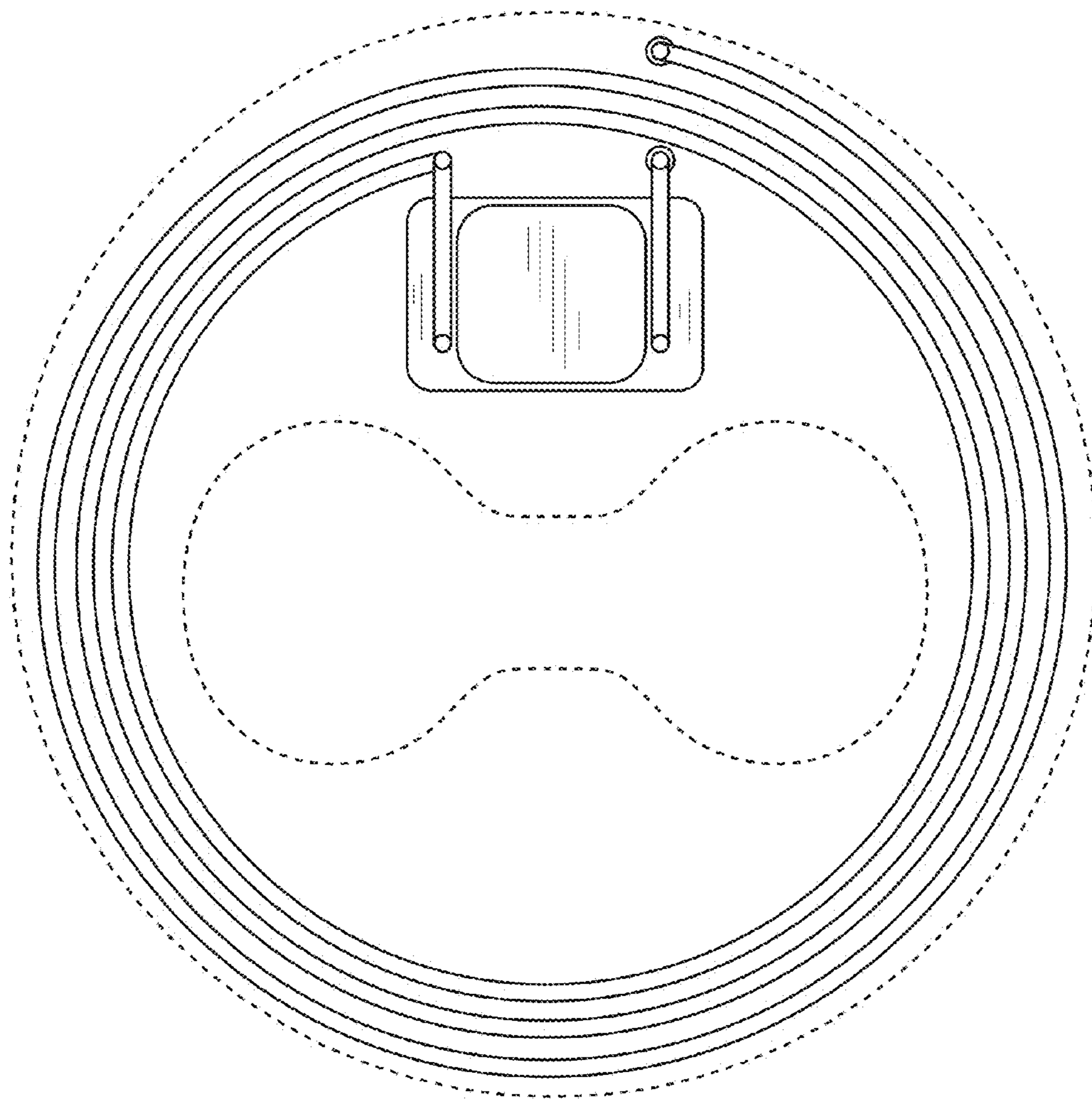


FIG.7

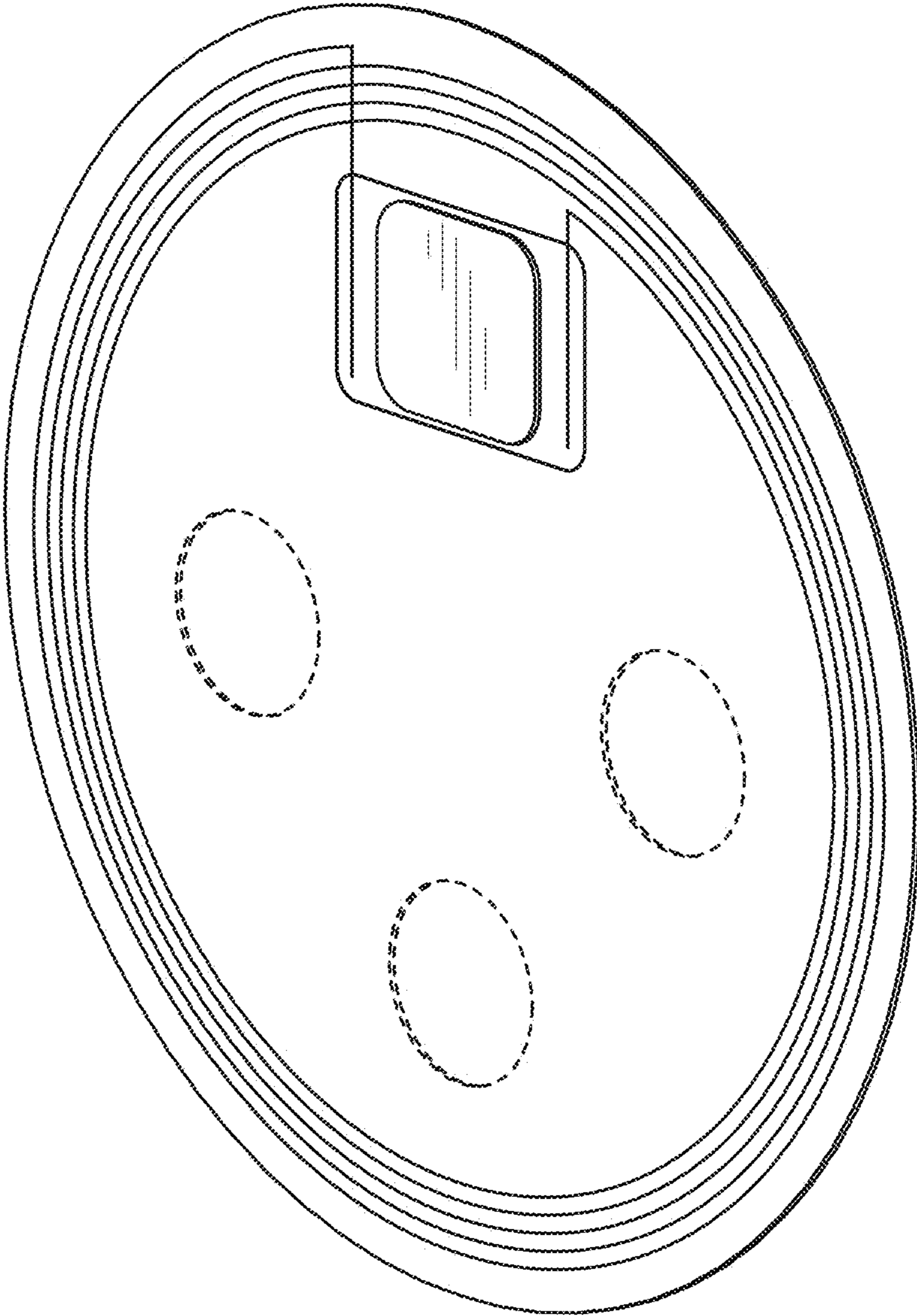


FIG.8

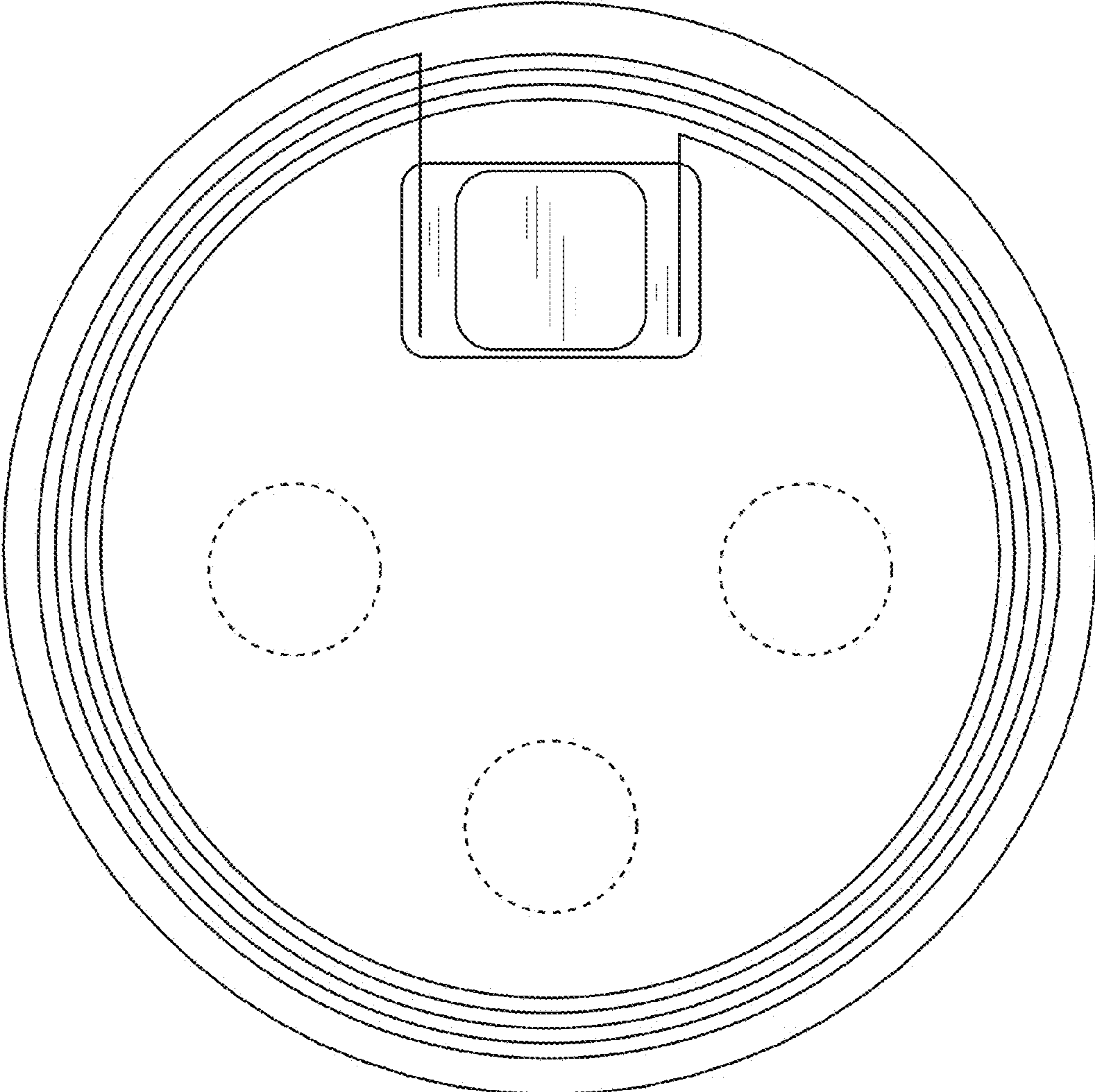


FIG.9

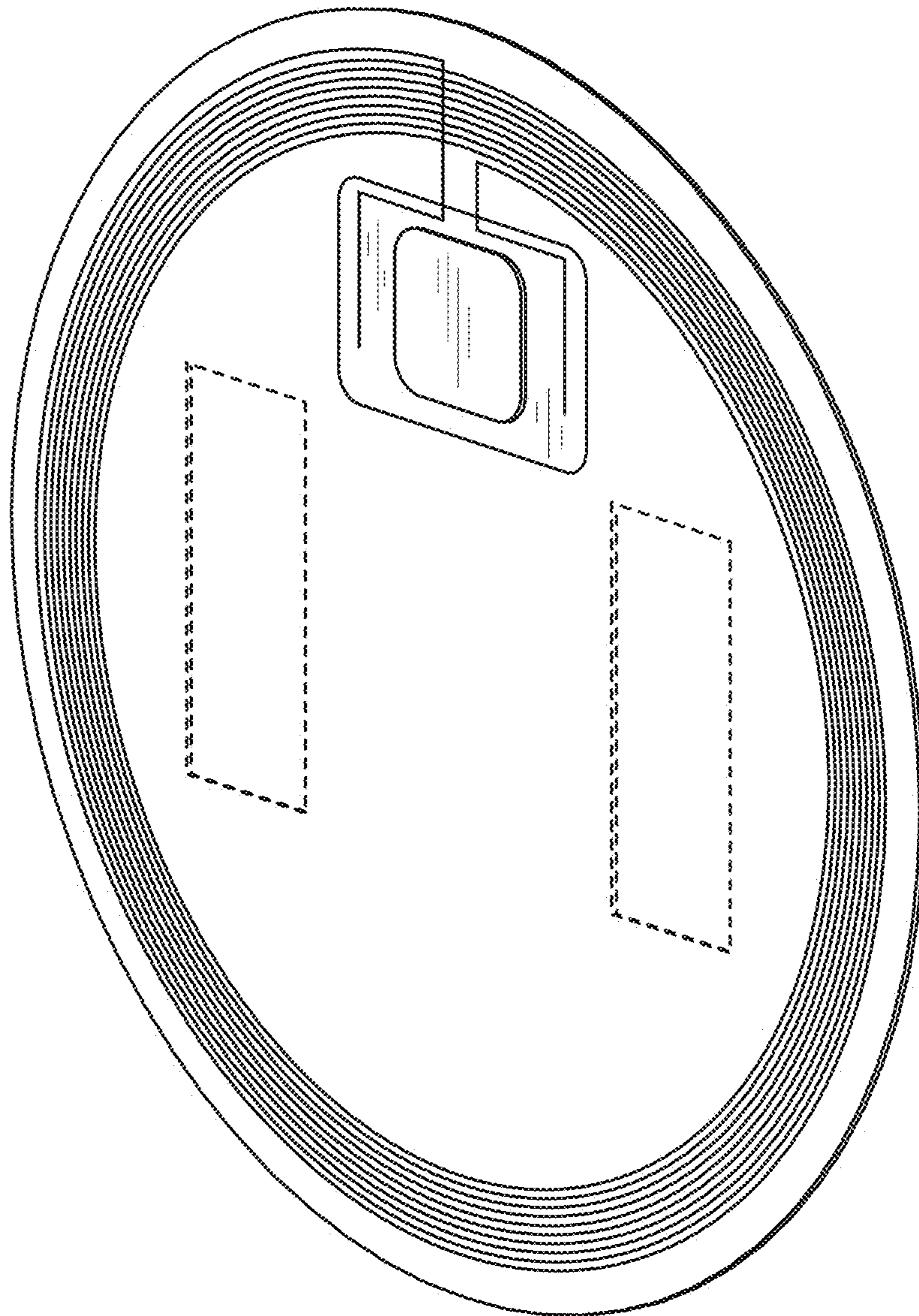


FIG. 10

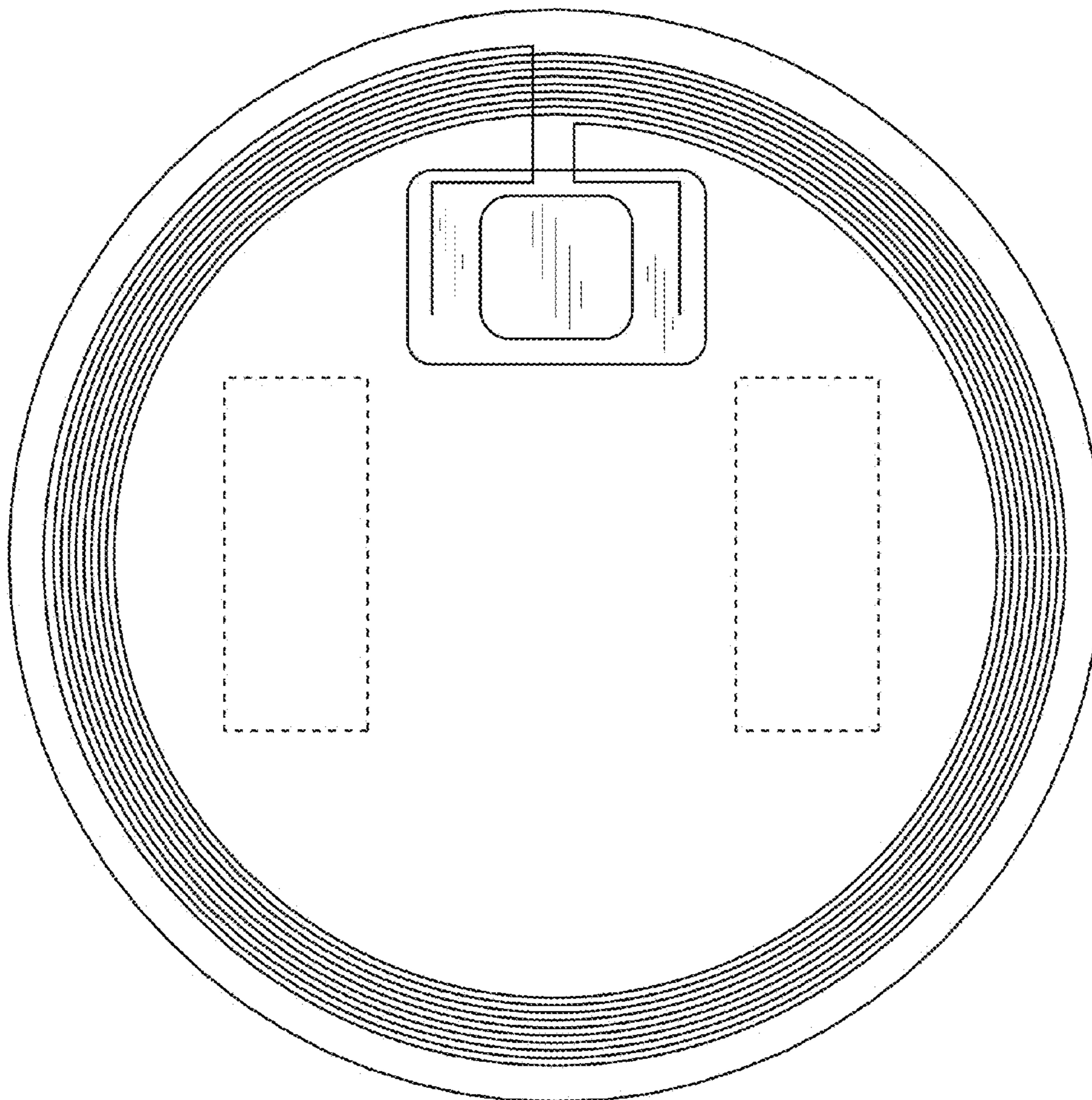


FIG.11

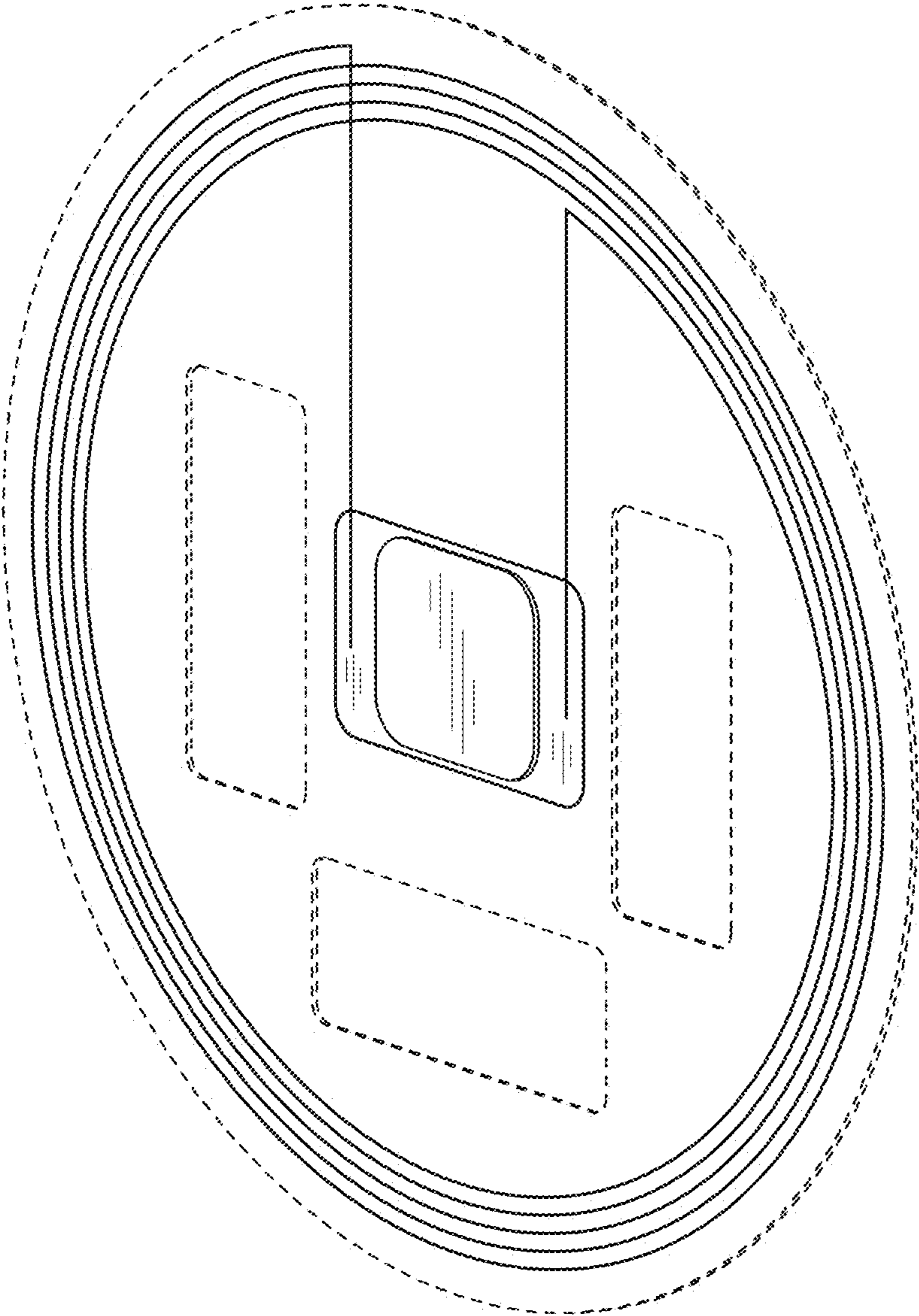


FIG.12

