

US00D761735S

(12) **United States Design Patent**
Sasaki et al.

(10) **Patent No.:** **US D761,735 S**
(45) **Date of Patent:** **** Jul. 19, 2016**

(54) **ELECTRICAL CONNECTOR**

(71) Applicant: **SMK CORPORATION**, Tokyo (JP)

(72) Inventors: **Tadahito Sasaki**, Ibaraki (JP); **Toyokazu Yoshino**, Kanagawa (JP); **Mitsuhiro Yoshida**, Kanagawa (JP)

(73) Assignee: **SMK Corporation**, Tokyo (JP)

(**) Term: **14 Years**

(21) Appl. No.: **29/523,689**

(22) Filed: **Apr. 13, 2015**

(30) **Foreign Application Priority Data**

Oct. 13, 2014 (JP) 2014-22919

(51) **LOC (10) Cl.** **13-03**

(52) **U.S. Cl.**
USPC **D13/147**

(58) **Field of Classification Search**
USPC D13/118, 120, 133, 146, 147, 154, 184,
D13/199

See application file for complete search history.

(56) **References Cited**

U.S. PATENT DOCUMENTS

D596,128 S *	7/2009	Hung	D13/147
7,950,964 B1 *	5/2011	Little	H01R 12/707 439/630
D647,859 S *	11/2011	Liu	D13/147
D648,681 S *	11/2011	Huang	D13/147
D664,503 S *	7/2012	Yang	D13/147

* cited by examiner

Primary Examiner — Daniel Bui

(74) *Attorney, Agent, or Firm* — Mark Malek; Widerman Malek, PL

(57) **CLAIM**

The ornamental design for an electrical connector, as shown and described.

DESCRIPTION

FIG. 1 is a top perspective view of an electrical connector according to the present invention.

FIG. 2 is a bottom perspective view thereof.

FIG. 3 is a side elevation view thereof.

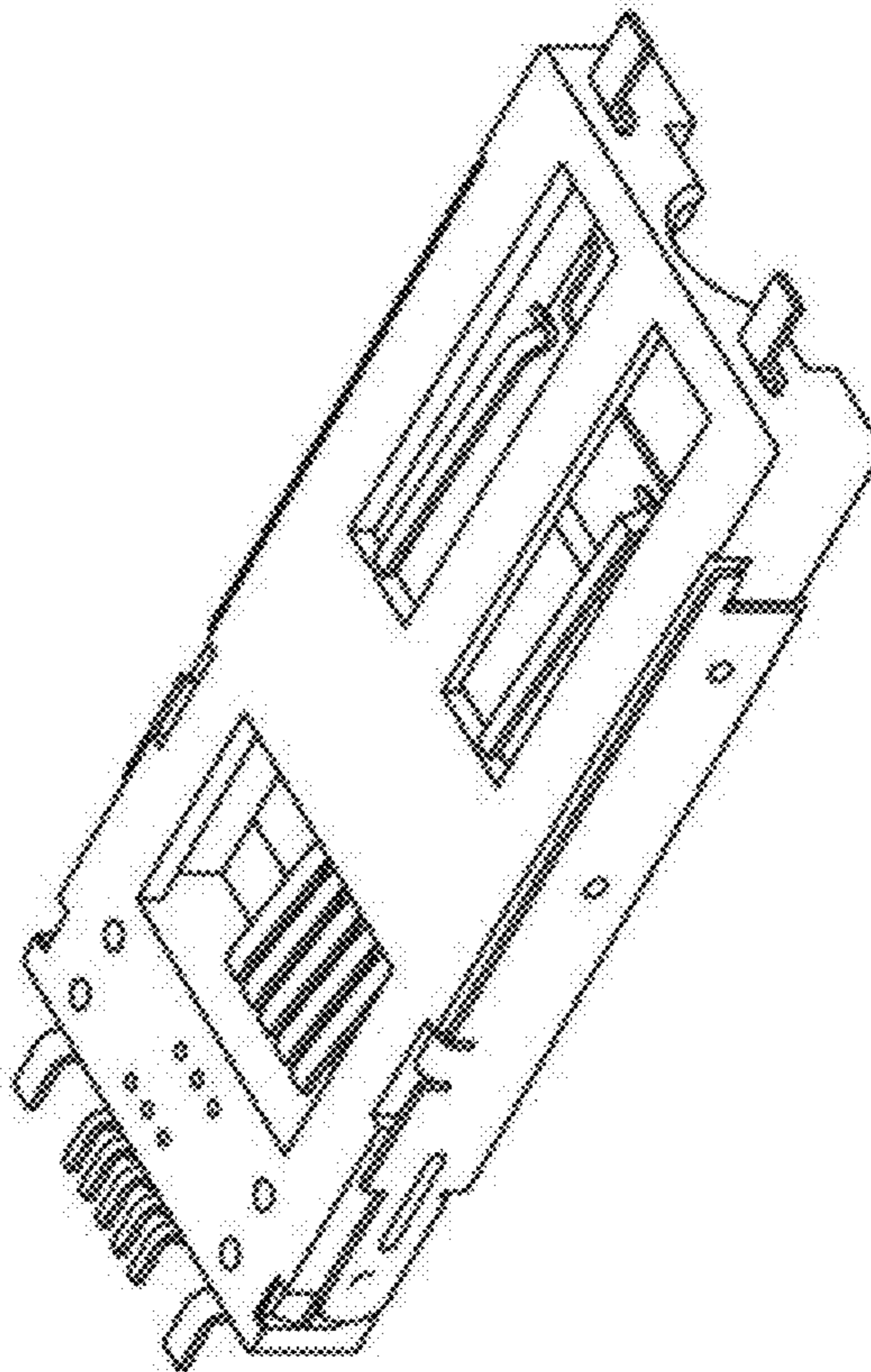
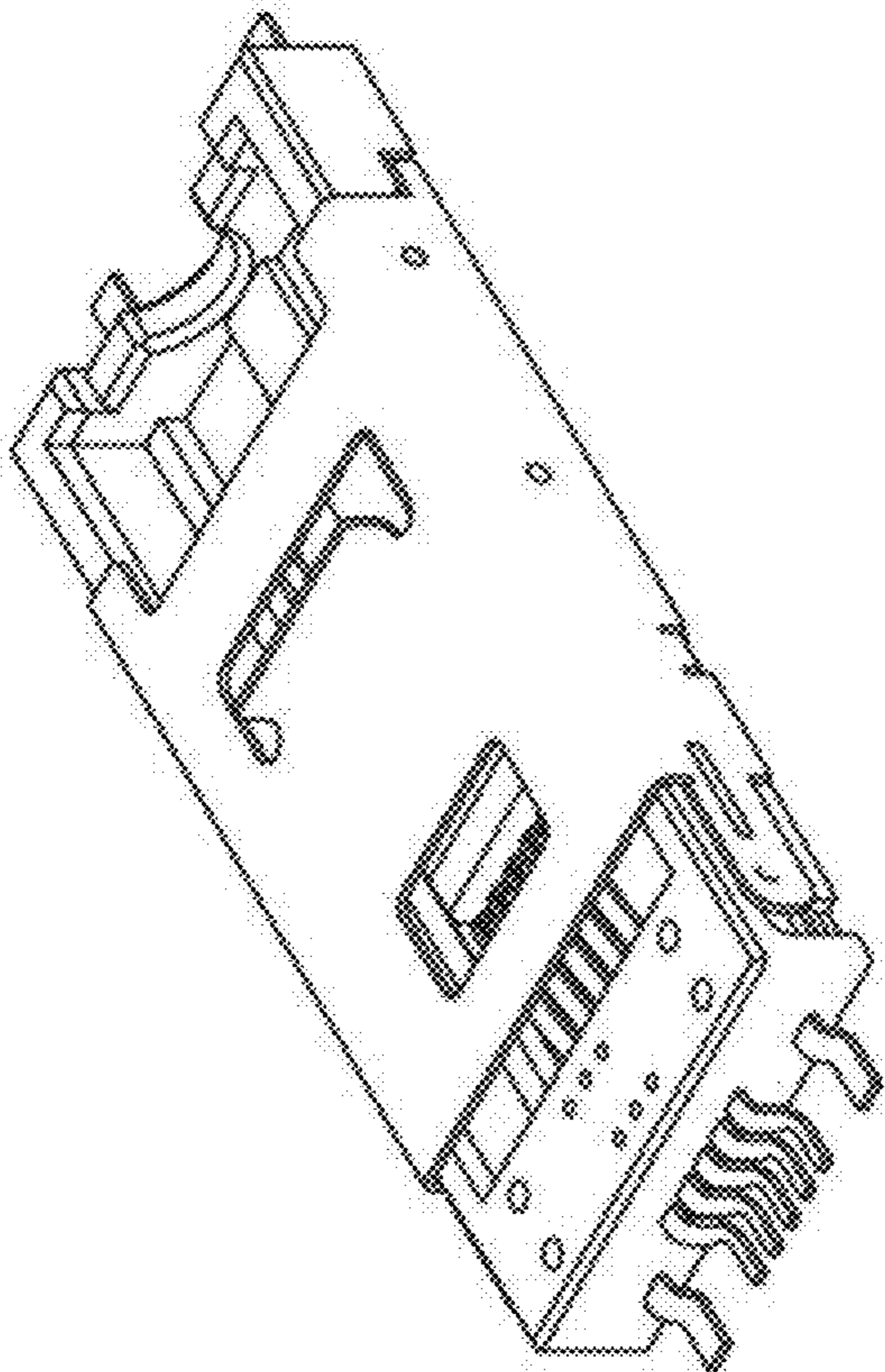
FIG. 4 is a top plan view thereof.

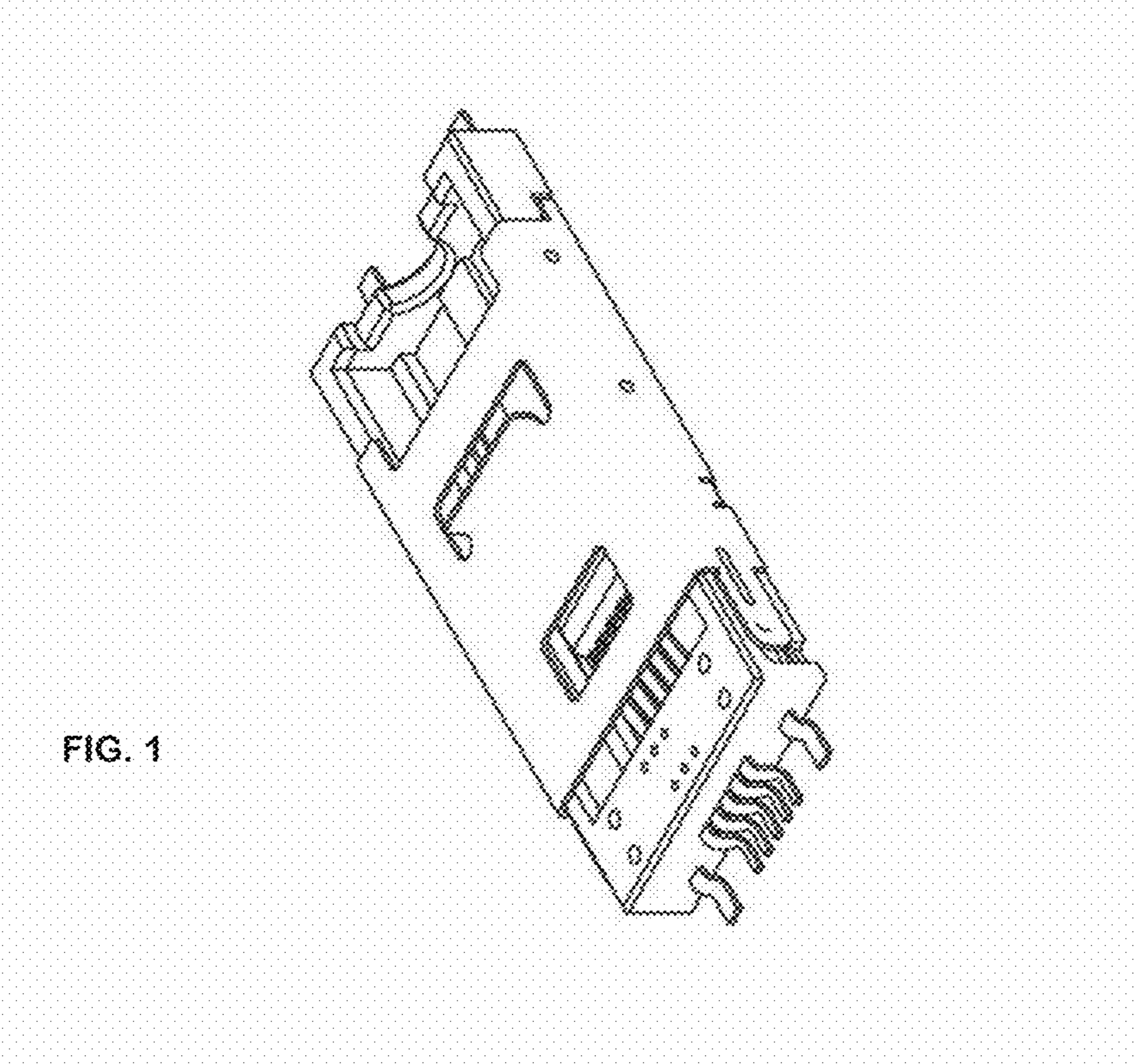
FIG. 5 is a bottom plan view thereof.

FIG. 6 is a front elevation view thereof; and,

FIG. 7 is a rear elevation view thereof.

1 Claim, 7 Drawing Sheets





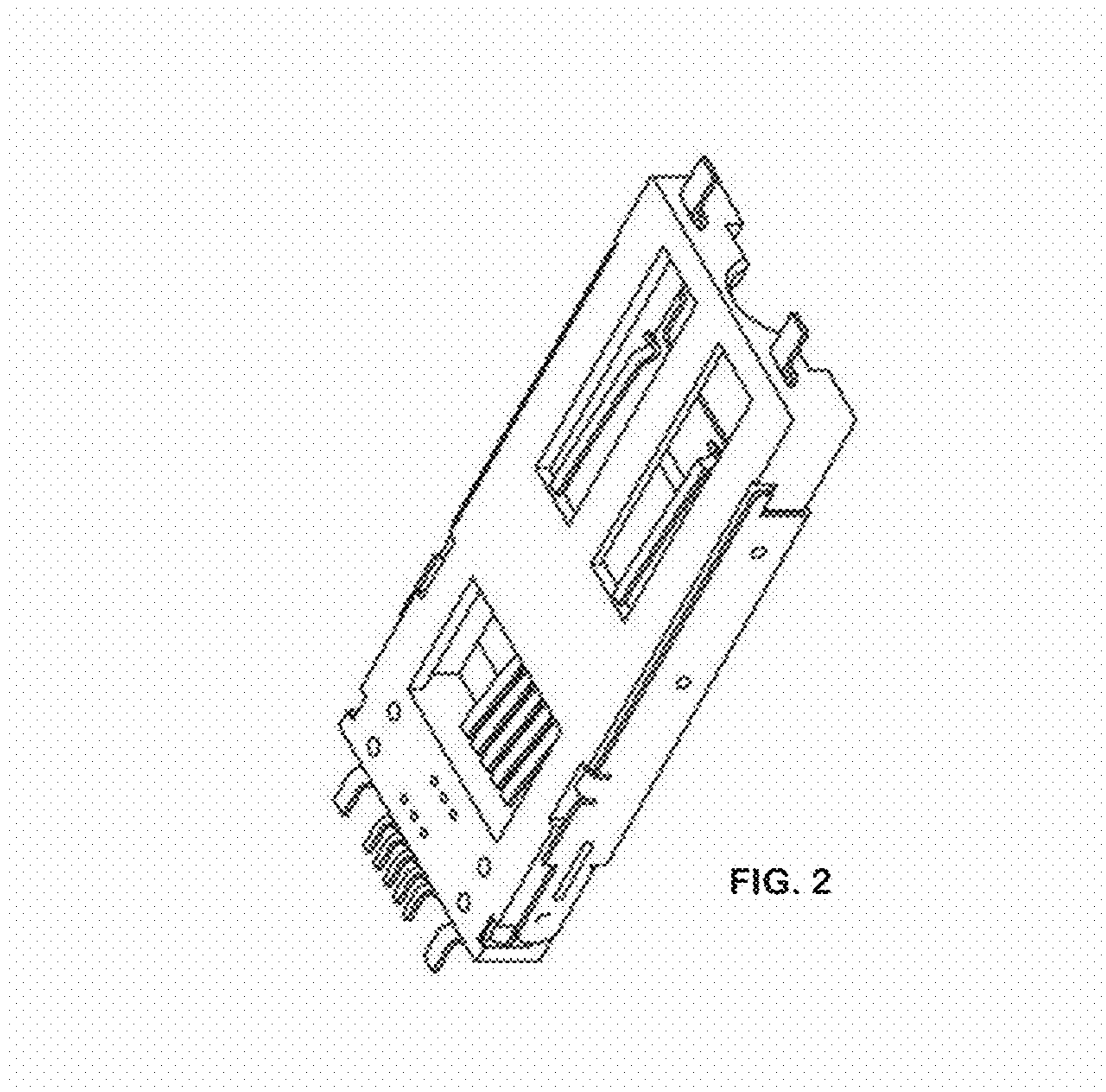


FIG. 2

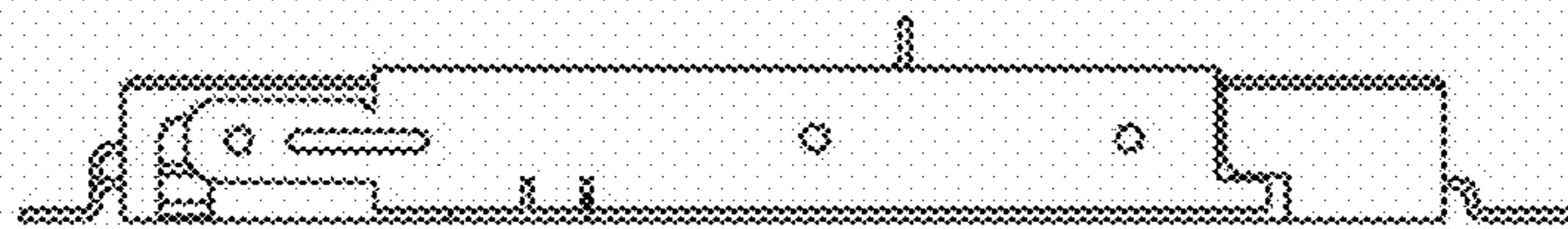


FIG. 3

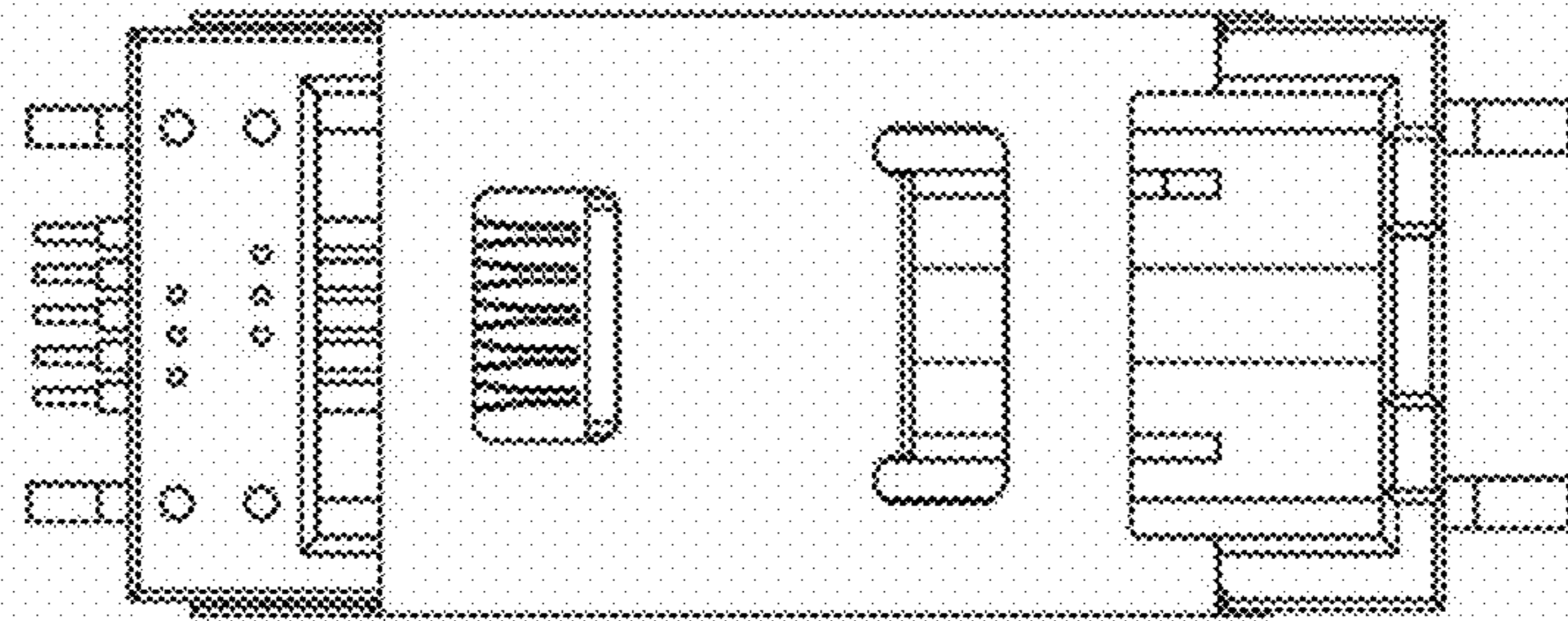


FIG. 4

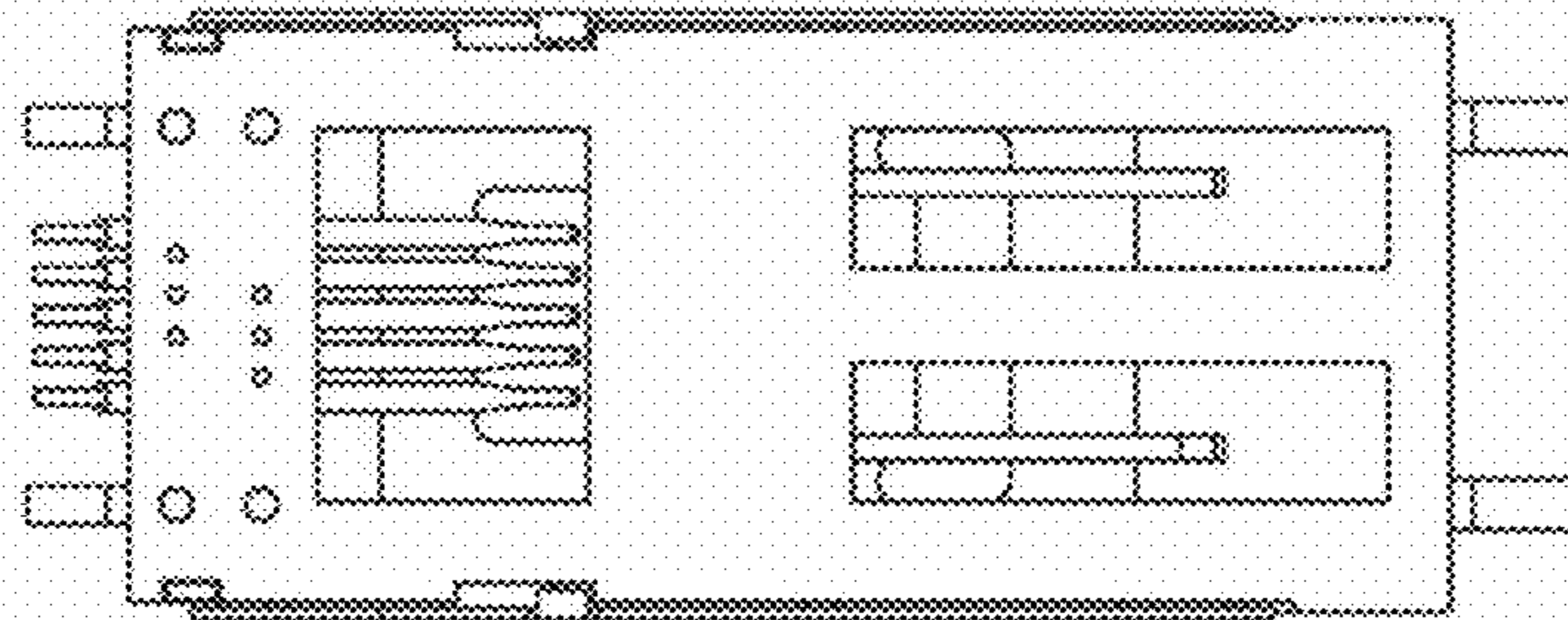


FIG. 5

