



US00D761734S

(12) **United States Design Patent**
Chen

(10) **Patent No.:** **US D761,734 S**
(45) **Date of Patent:** **** Jul. 19, 2016**

(54) **POWER FEMALE CONNECTOR**

(71) Applicant: **Oupiin Electronic (Kunshan) Co., Ltd.**, Kunshan, Jiangsu Province (CN)

(72) Inventor: **Hsin Chih Chen**, Kunshan (CN)

(73) Assignee: **OUPiin ELECTRONIC (KUNSHAN) CO., LTD.**, Kunshan, Jiangsu Province (CN)

(**) Term: **14 Years**

(21) Appl. No.: **29/521,518**

(22) Filed: **Mar. 24, 2015**

(30) **Foreign Application Priority Data**

Sep. 30, 2014 (CN) 2014 3 0370521

(51) **LOC (10) Cl.** **13-03**

(52) **U.S. Cl.**
USPC **D13/146; D13/147**

(58) **Field of Classification Search**
USPC D13/146, 147, 154, 184, 199
See application file for complete search history.

(56) **References Cited**

U.S. PATENT DOCUMENTS

5,630,720 A * 5/1997 Kocher H01R 13/642
439/678
6,210,240 B1 * 4/2001 Comerci H01R 12/7088
439/853
D465,204 S * 11/2002 Shi D13/147

D519,460 S * 4/2006 Riku D13/147
D529,444 S * 10/2006 Kudo D13/147
2014/0206241 A1 * 7/2014 Chen H01R 12/7088
439/676

FOREIGN PATENT DOCUMENTS

TW 108695 1/2006
TW 108884 U02 2/2006
TW 108884 U03 3/2006
TW 108884 U04 5/2006
TW 108885 6/2006

* cited by examiner

Primary Examiner — Daniel Bui

(74) *Attorney, Agent, or Firm* — Muncy, Geissler, Olds & Lowe, P.C.

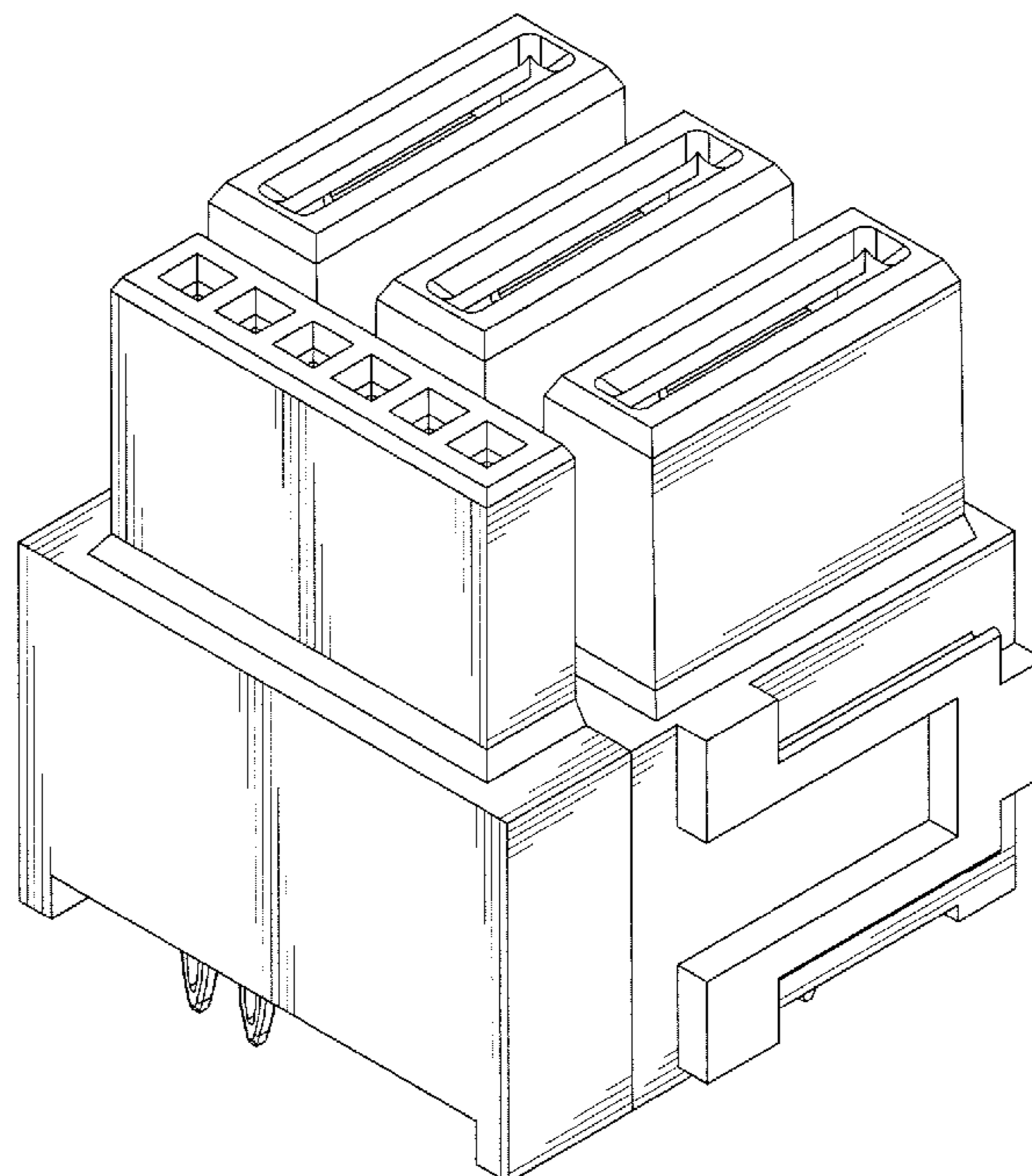
(57) **CLAIM**

The ornamental design for a power female connector, as shown and described.

DESCRIPTION

FIG. 1 is a front, top, and right side perspective view of a power female connector showing my new design;
FIG. 2 is a front plane view thereof;
FIG. 3 is a back plane view thereof;
FIG. 4 is a left side view thereof;
FIG. 5 is a right side view thereof;
FIG. 6 is a top plan view thereof; and,
FIG. 7 is a bottom plan view thereof.
The broken line in FIG. 7 represents unclaimed environment only and forms no part of the claimed design.

1 Claim, 7 Drawing Sheets



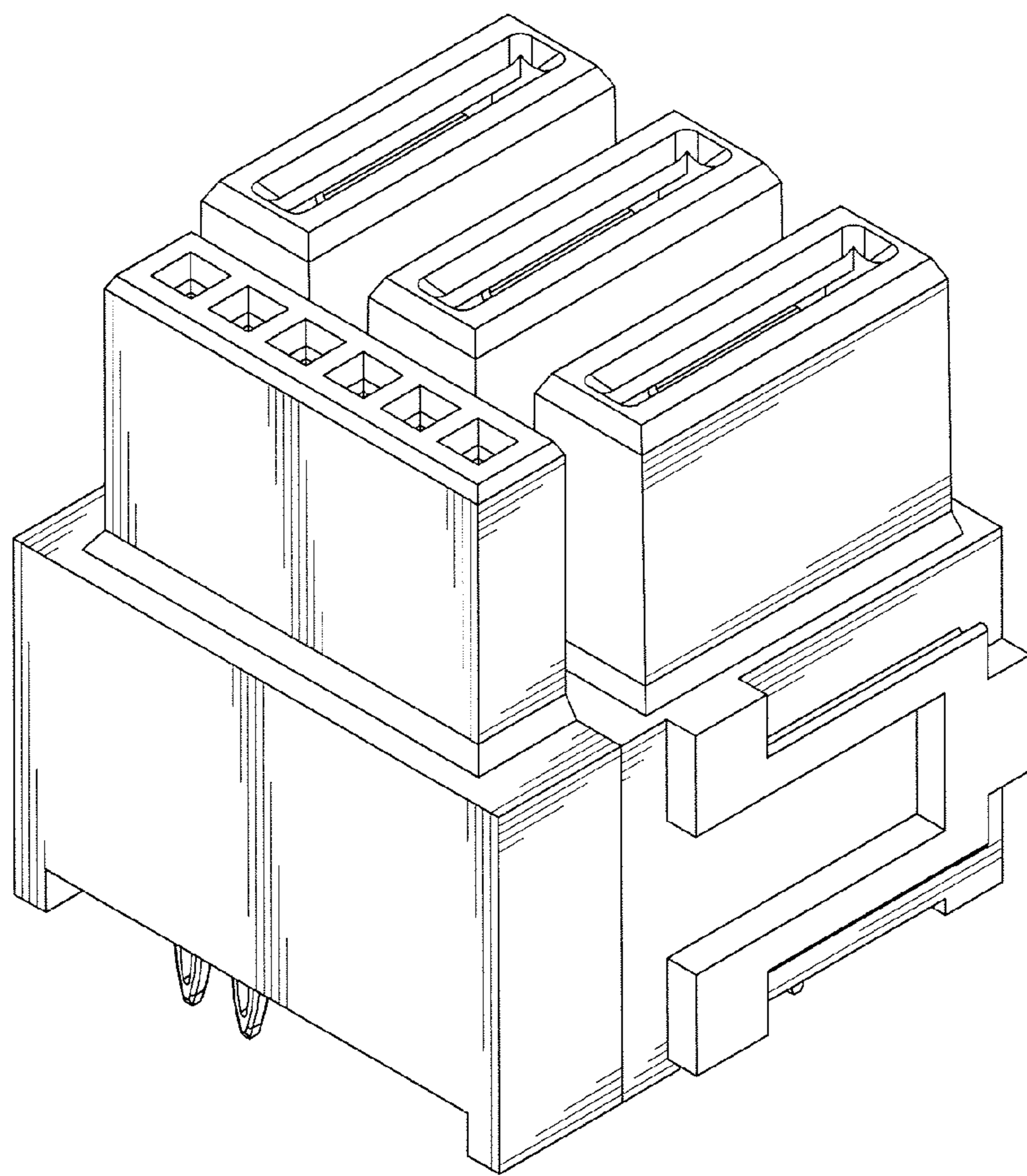


FIG. 1

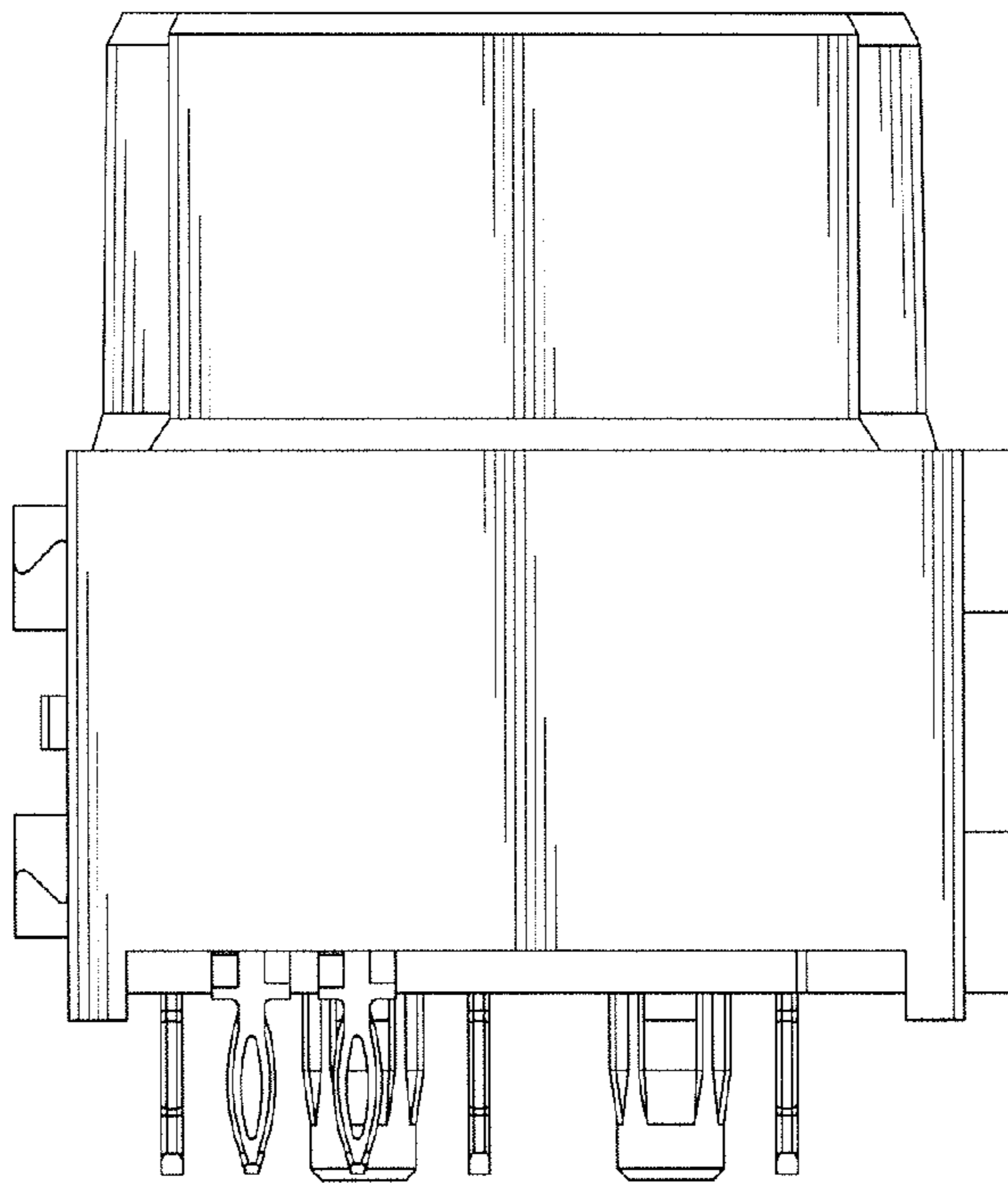


FIG. 2

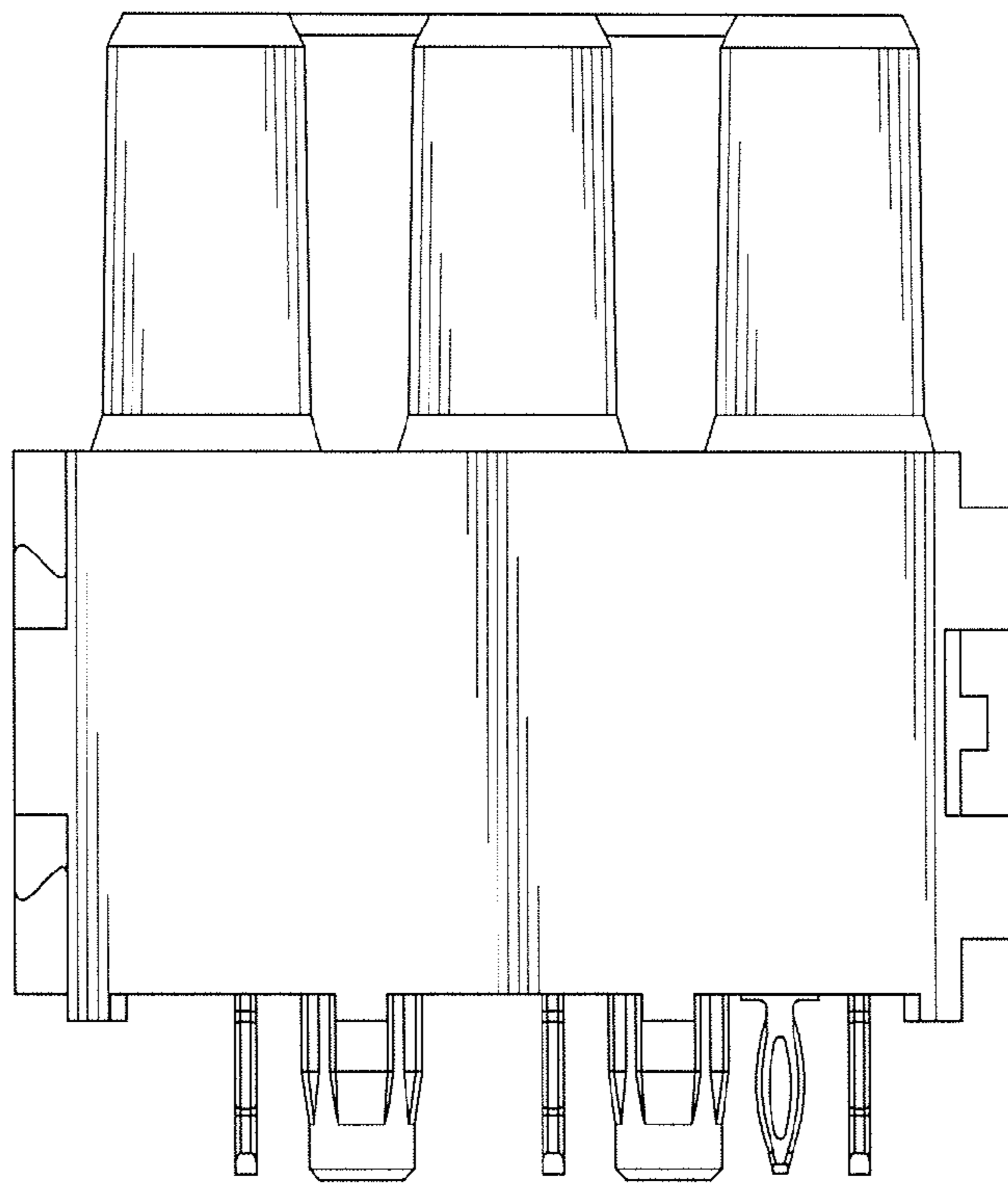


FIG. 3

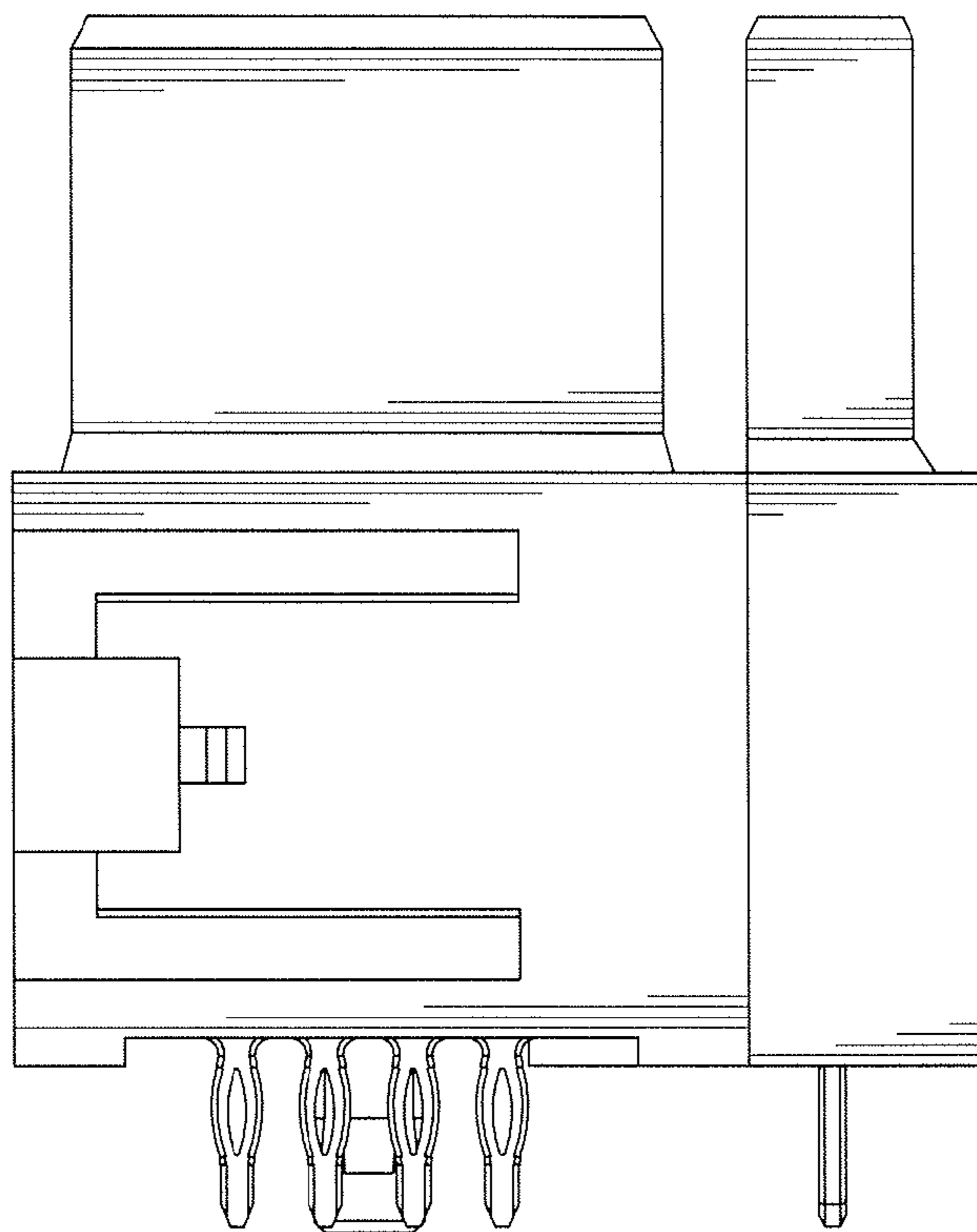


FIG. 4

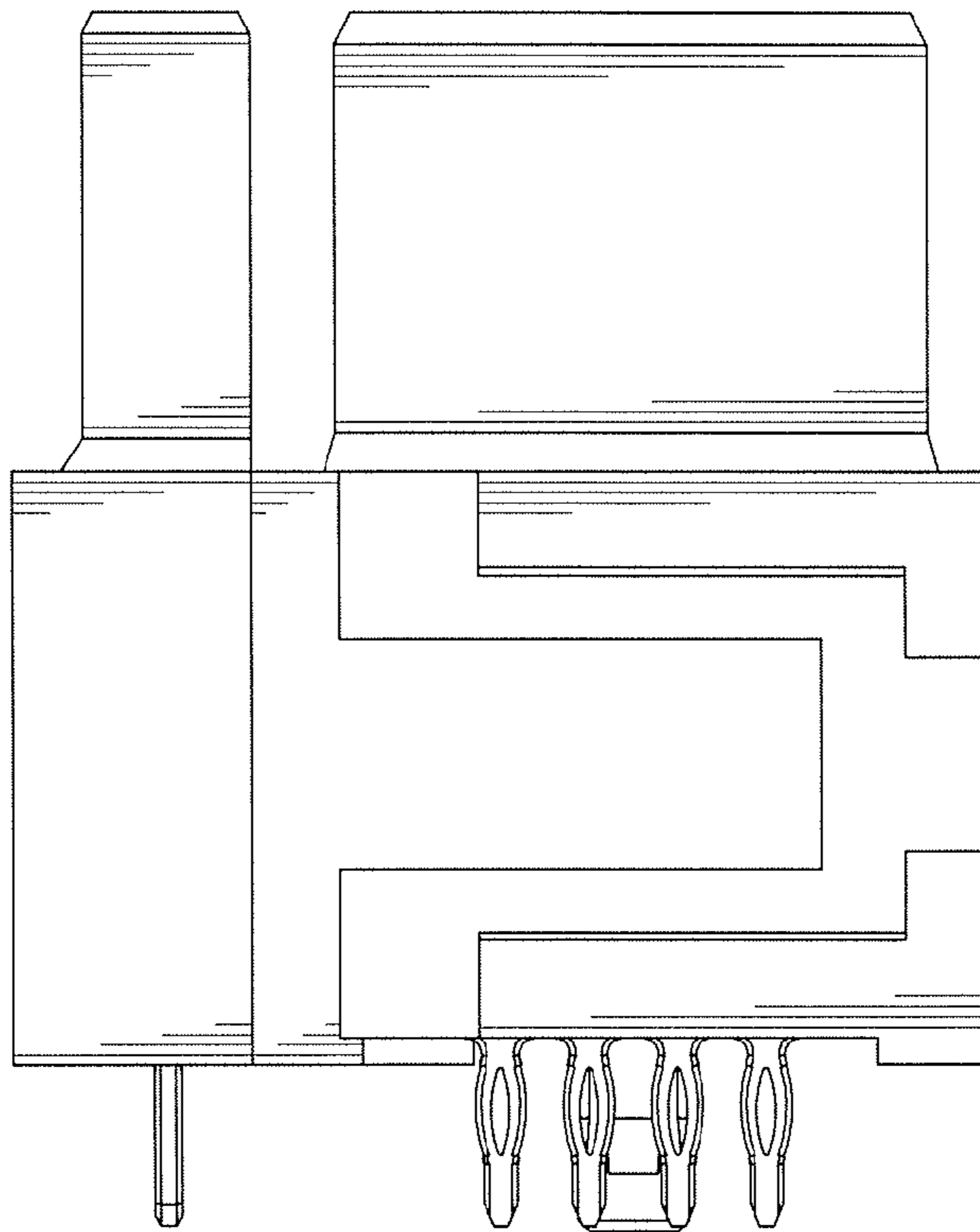


FIG. 5

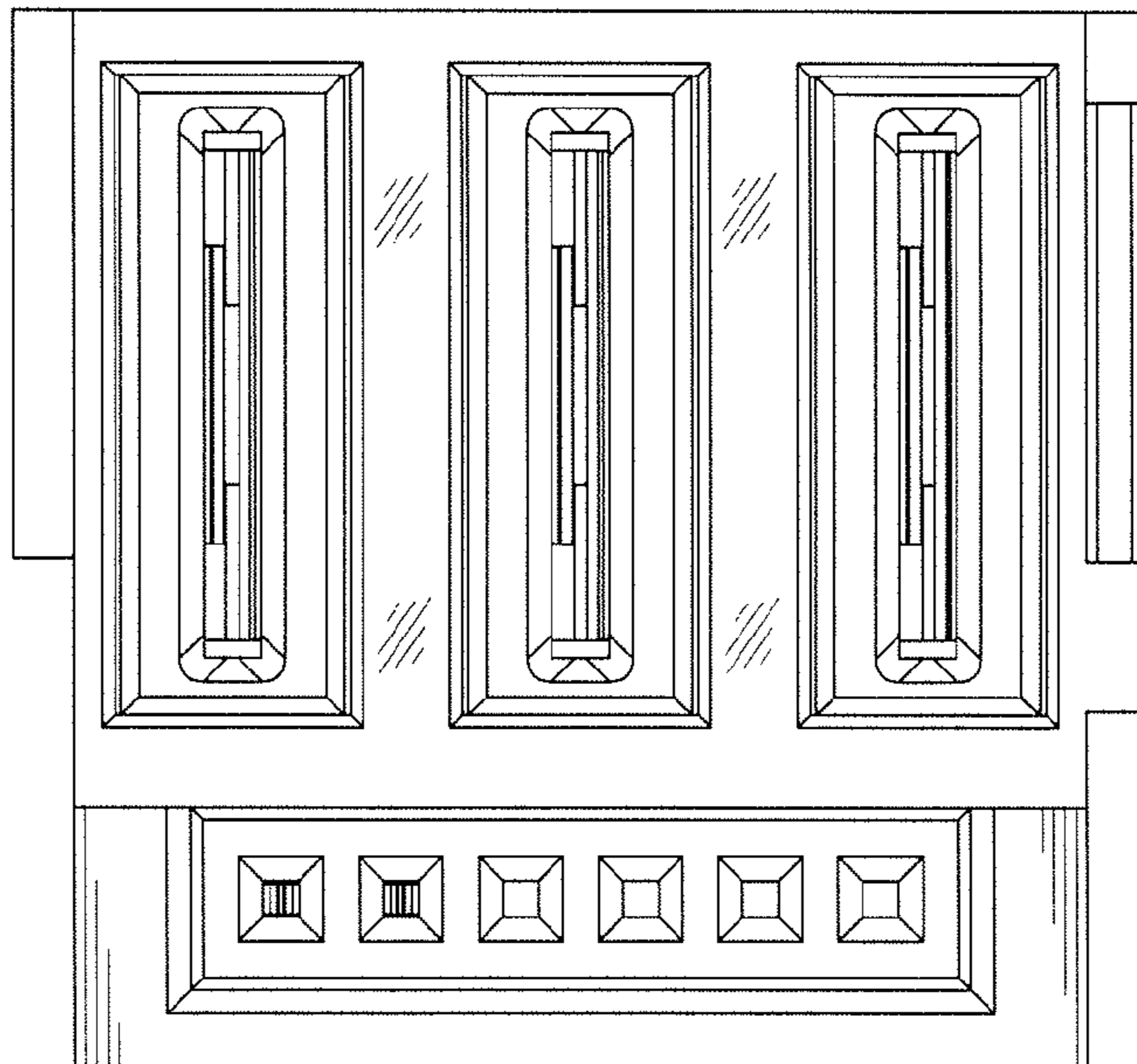


FIG. 6

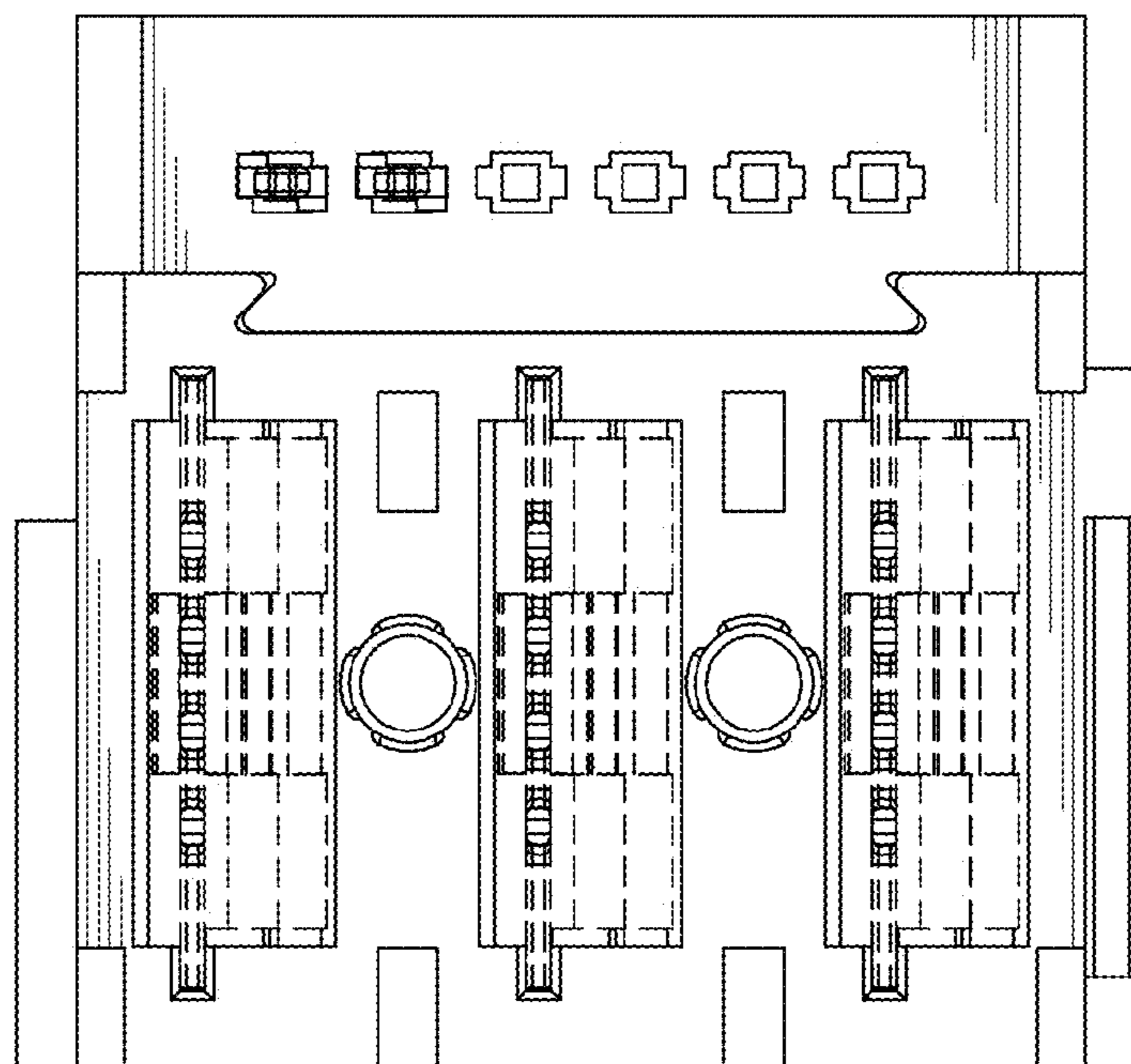


FIG. 7