

US00D761733S

(12) **United States Design Patent**  
**Sumwalt et al.**

(10) **Patent No.:** **US D761,733 S**  
(45) **Date of Patent:** **\*\* Jul. 19, 2016**

- (54) **ELECTRICAL HUB**
- (71) Applicant: **Steelcase Inc.**, Grand Rapids, MI (US)
- (72) Inventors: **Andrew Thomas Nelson Sumwalt**, Grand Rapids, MI (US); **Duck Young Kong**, Beaverton, OR (US); **Mark McKenna**, East Grand Rapids, MI (US)
- (73) Assignee: **Steelcase Inc.**, Grand Rapids, MI (US)
- (\*\*) Term: **14 Years**
- (21) Appl. No.: **29/502,158**
- (22) Filed: **Sep. 12, 2014**
- (51) **LOC (10) Cl.** ..... **13-03**
- (52) **U.S. Cl.**  
USPC ..... **D13/139.4**
- (58) **Field of Classification Search**  
USPC ..... D13/139.4, 199, 139.5, 137.2, 139.1, D13/134; D6/686; 361/622; D14/447; 174/481  
CPC ..... H02B 1/26; H02G 3/185  
See application file for complete search history.

7,441,924	B1	10/2008	Thames et al.
7,510,446	B1	3/2009	Yu et al.
D596,560	S	7/2009	Cutchins et al.
D597,937	S	8/2009	Haw et al.
D631,439	S	1/2011	Blain
D669,856	S *	10/2012	Rosendahl ..... D13/139.5
D671,545	S *	11/2012	Guran ..... D14/447
D691,953	S *	10/2013	Chayer ..... D13/139.4
D692,831	S *	11/2013	Beldock ..... D13/139.4
D693,307	S *	11/2013	Beldock ..... D13/139.4
D693,308	S *	11/2013	Beldock ..... D13/139.4
8,598,453	B2 *	12/2013	Hsiao ..... H02G 3/185 174/481
D699,202	S *	2/2014	Rose ..... D13/199
D712,838	S *	9/2014	Beldock ..... D13/139.5
D715,225	S *	10/2014	Mininger ..... D13/139.4
D726,654	S *	4/2015	Jung ..... D13/137.2
2012/0081842	A1 *	4/2012	Ewing ..... H02B 1/26 361/622

\* cited by examiner

*Primary Examiner* — Holly Baynham  
*Assistant Examiner* — Rhea Shields  
(74) *Attorney, Agent, or Firm* — Price Heneveld LLP

(57) **CLAIM**  
We claim the ornamental design for an electrical hub, as shown and described.

(56) **References Cited**

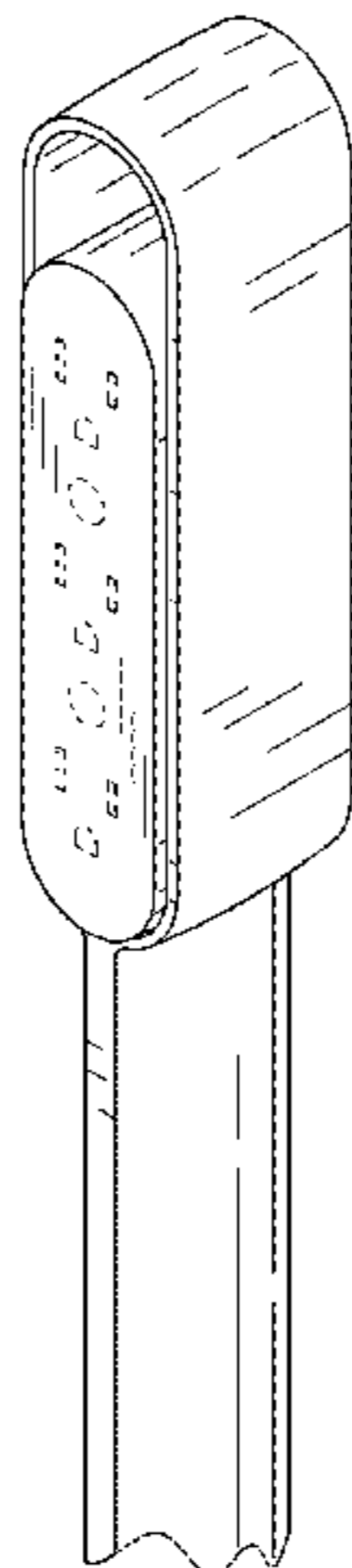
U.S. PATENT DOCUMENTS

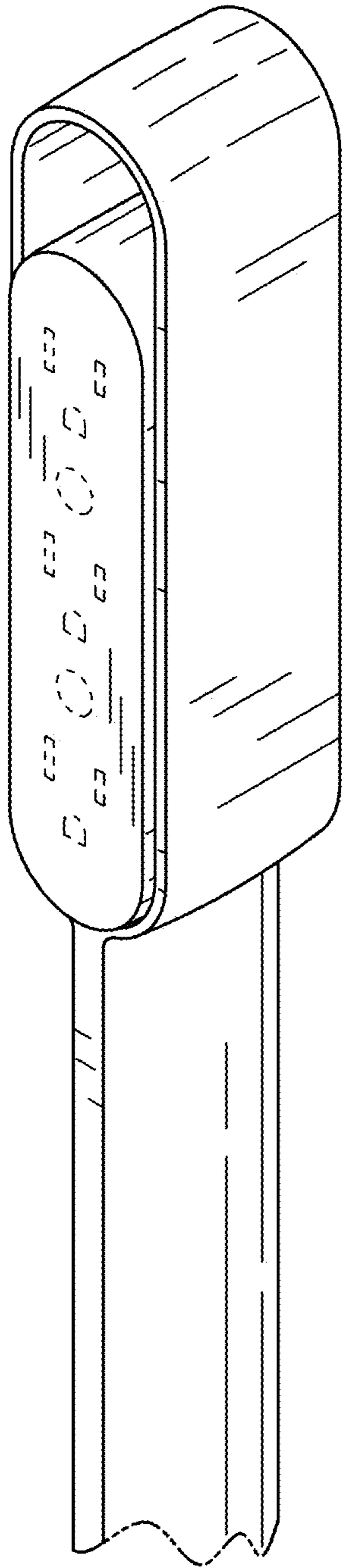
D52,628	S *	11/1918	Bissell ..... D13/134
D126,590	S *	4/1941	Lewin ..... D13/139.4
D235,555	S *	6/1975	Plummer ..... D13/139.4
D244,465	S *	5/1977	Stoneman ..... D13/139.4
5,535,976	A	7/1996	Gruneisen, III
5,921,795	A	7/1999	Weener et al.
D426,520	S *	6/2000	Goins ..... D13/139.1
6,077,109	A	6/2000	Prazoff
D448,346	S	9/2001	Hellwig et al.
D472,520	S	4/2003	Genicevitch
D473,518	S *	4/2003	Hellwig ..... D13/139.5
6,805,581	B2	10/2004	Love
D534,869	S *	1/2007	Stekelenburg ..... D13/139.1
7,158,716	B2	1/2007	Shapiro et al.
D544,248	S *	6/2007	Parisot ..... D6/686

**DESCRIPTION**

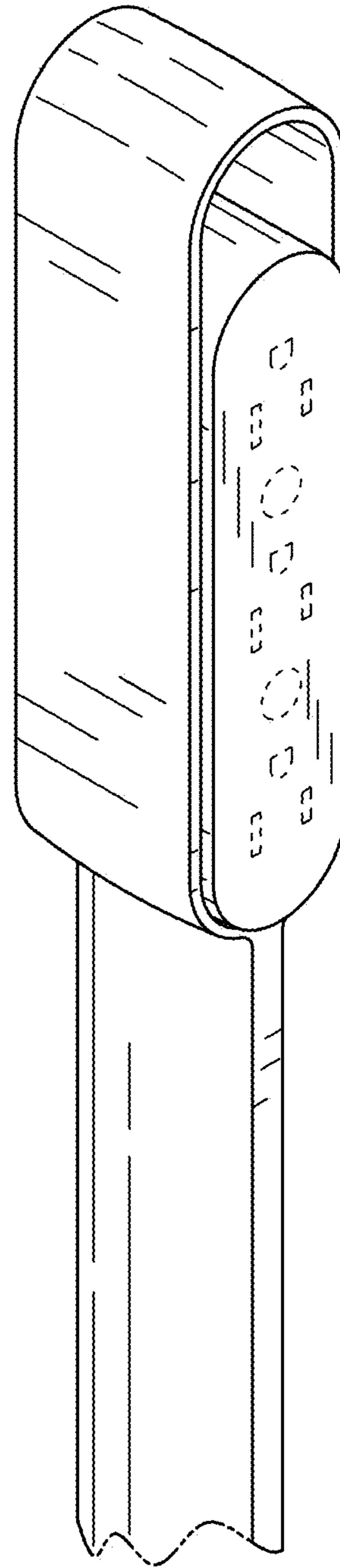
FIG. 1 is a front perspective view of an electrical hub embodying the present invention;  
FIG. 2 is a rear perspective view of the electrical hub;  
FIG. 3 is a front view of the electrical hub;  
FIG. 4 is a rear view of the electrical hub;  
FIG. 5 is a first side view of the electrical hub;  
FIG. 6 is a second side view of the electrical hub;  
FIG. 7 is a top view of the electrical hub; and,  
FIG. 8 is a bottom view of the electrical hub.  
In the drawings, the broken lines are for the purpose of illustrating the boundaries of the claim and form no part of the claimed design.

**1 Claim, 2 Drawing Sheets**





**FIG. 1**



**FIG. 2**

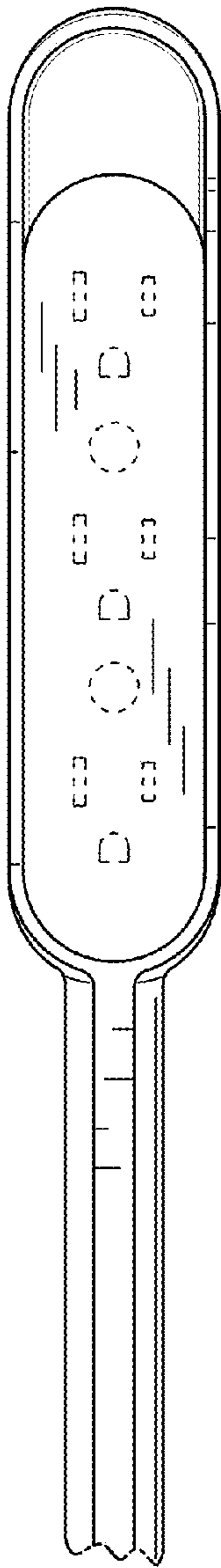


FIG. 3

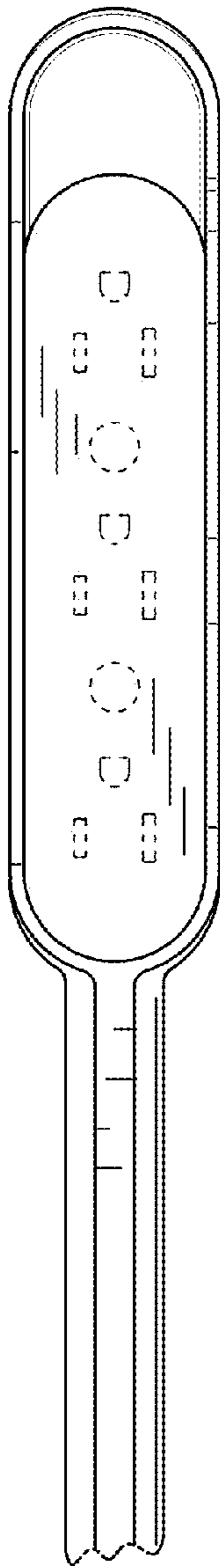


FIG. 4

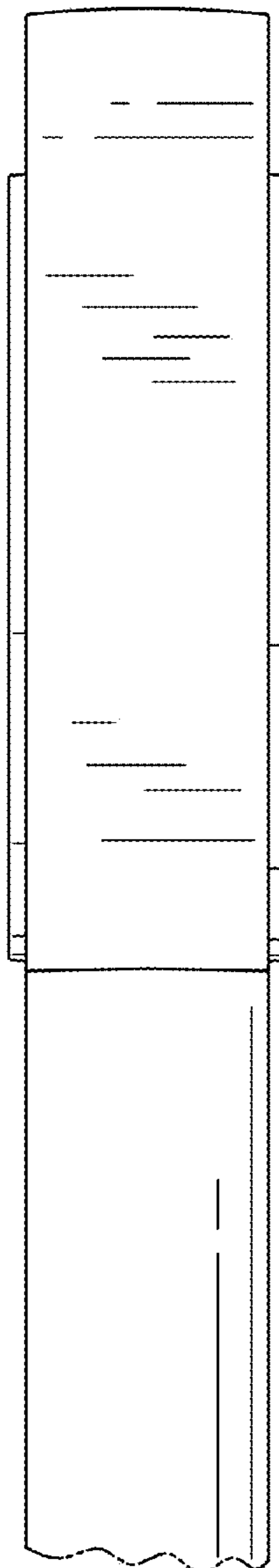


FIG. 5

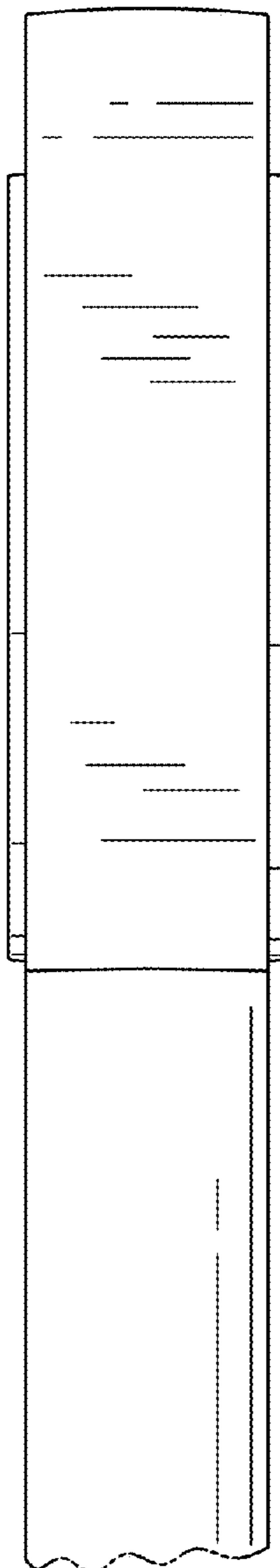


FIG. 6

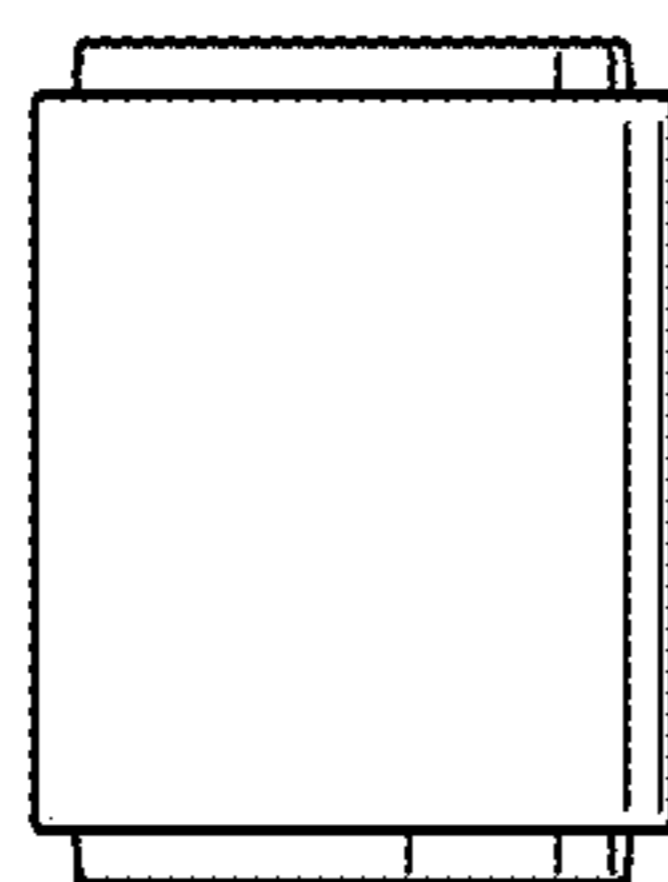


FIG. 7

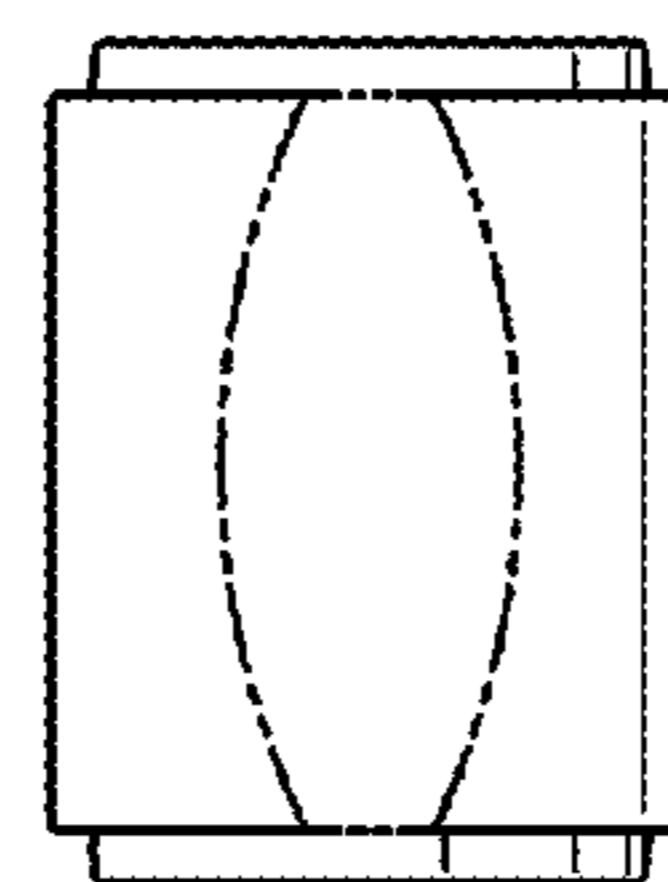


FIG. 8