



US00D761731S

(12) **United States Design Patent**
Matthews et al.

(10) **Patent No.:** **US D761,731 S**
(45) **Date of Patent:** **** Jul. 19, 2016**

- (54) **GENSET ENCLOSURE**
- (71) Applicant: **Cummins Power Generation IP, Inc.**,
Minneapolis, MN (US)
- (72) Inventors: **James Matthews**, Kent (GB); **Todd Radke**, Lino Lakes, MN (US); **Mariann Peterschick**, St. Paul, MN (US)
- (73) Assignee: **CUMMINS POWER GENERATION IP, INC.**, Minneapolis, MN (US)
- (**) Term: **14 Years**
- (21) Appl. No.: **29/516,977**
- (22) Filed: **Feb. 9, 2015**

Related U.S. Application Data

- (62) Division of application No. 29/476,956, filed on Dec. 18, 2013, now Pat. No. Des. 729,736.
- (51) **LOC (10) Cl.** **13-01**
- (52) **U.S. Cl.**
USPC **D13/122**
- (58) **Field of Classification Search**
USPC 123/2, 3; 290/1 A, 1 B, 1 R; 310/89;
322/100; 361/730, 836; D13/101,
D13/110–116, 118, 122, 184, 199;
D23/111, 351, 395
CPC F02B 63/04
See application file for complete search history.

(56) **References Cited**

U.S. PATENT DOCUMENTS

- D249,788 S * 10/1978 Nanjo D13/116
- 4,136,432 A 1/1979 Melley, Jr.
- D266,235 S 9/1982 Hughes
- 4,835,405 A 5/1989 Clancey et al.
- D309,288 S * 7/1990 Haverly D13/114
- 5,624,589 A * 4/1997 Latvis B23K 9/32
219/133

- 5,642,702 A 7/1997 Kouchi et al.
- D416,858 S 11/1999 Domanski
- 6,124,567 A * 9/2000 Feldhausen B23K 9/1006
219/130.1
- D503,381 S 3/2005 Mizokami et al.
- D575,733 S 8/2008 Murata et al.
- D596,122 S 7/2009 Imai
- D646,636 S 10/2011 Riimala
- 8,134,244 B2 3/2012 Wurth
- D662,055 S 6/2012 Little et al.
- 8,872,361 B2 * 10/2014 Janscha F02B 63/04
290/1 A
- D729,736 S * 5/2015 Matthews D13/122
- 2013/0187392 A1 7/2013 Janscha et al.
- 2014/0117675 A1 5/2014 Knight et al.
- 2015/0181735 A1 * 6/2015 Wilson F02B 63/044
290/1 A

* cited by examiner

Primary Examiner — Derrick Holland

Assistant Examiner — Jennifer O King

(74) *Attorney, Agent, or Firm* — Foley & Lardner LLP

(57) **CLAIM**

We claim the ornamental design for a genset enclosure, as shown and described.

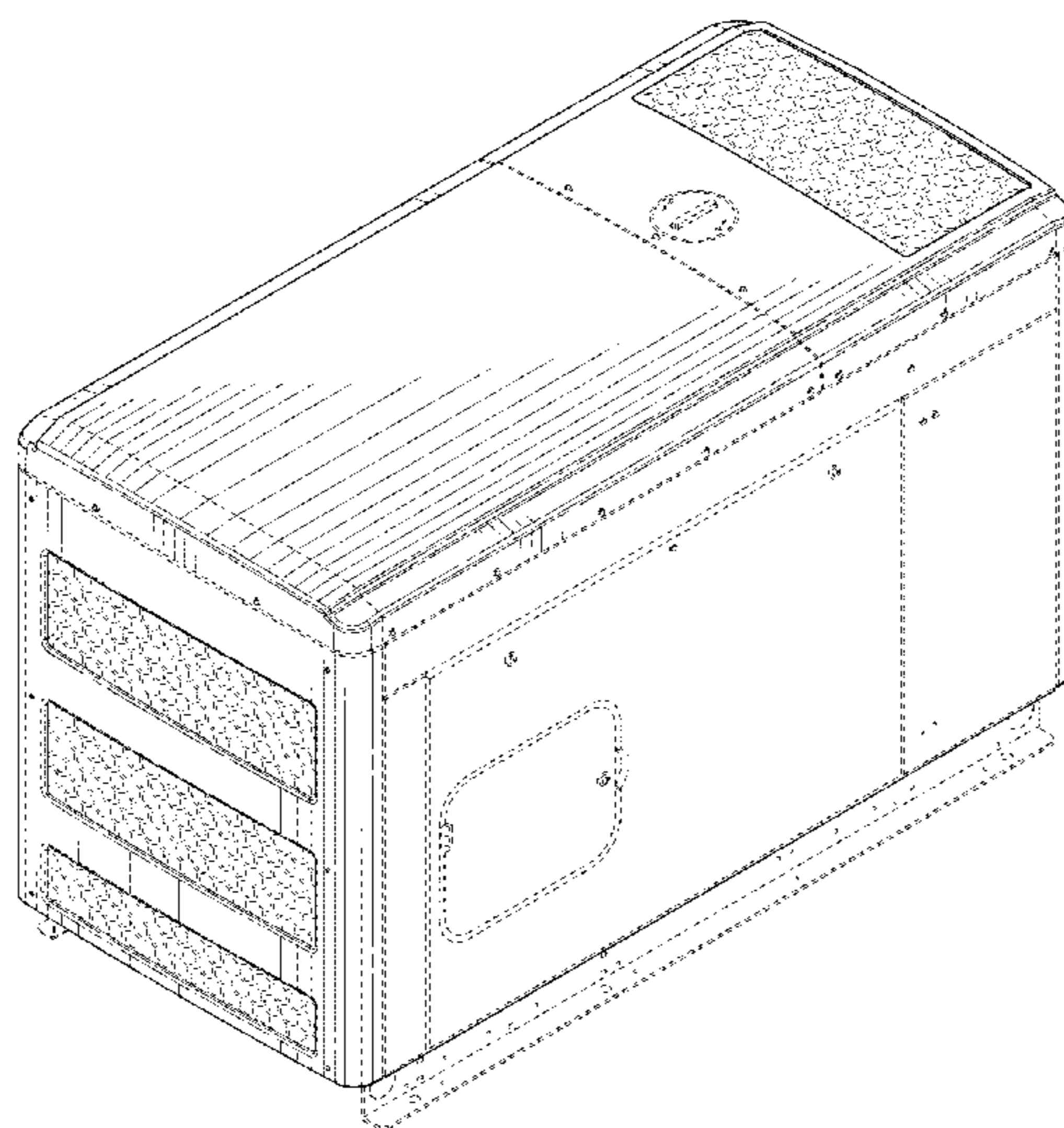
DESCRIPTION

FIG. 1 is a front isometric view of a genset enclosure;
FIG. 2 is a front elevational view thereof;
FIG. 3 is a rear elevational view thereof;
FIG. 4 is a left elevational view thereof;
FIG. 5 is a right elevational view thereof;
FIG. 6 is a top plan view thereof; and,
FIG. 7 is a rear isometric view thereof.

The bottom of the genset enclosure in each embodiment is unornamented and forms no part of the claimed design.

The ornamental design which is claimed is shown in solid lines in the drawings. The broken lines shown represent unclaimed subject matter and form no part of the claimed design.

1 Claim, 7 Drawing Sheets



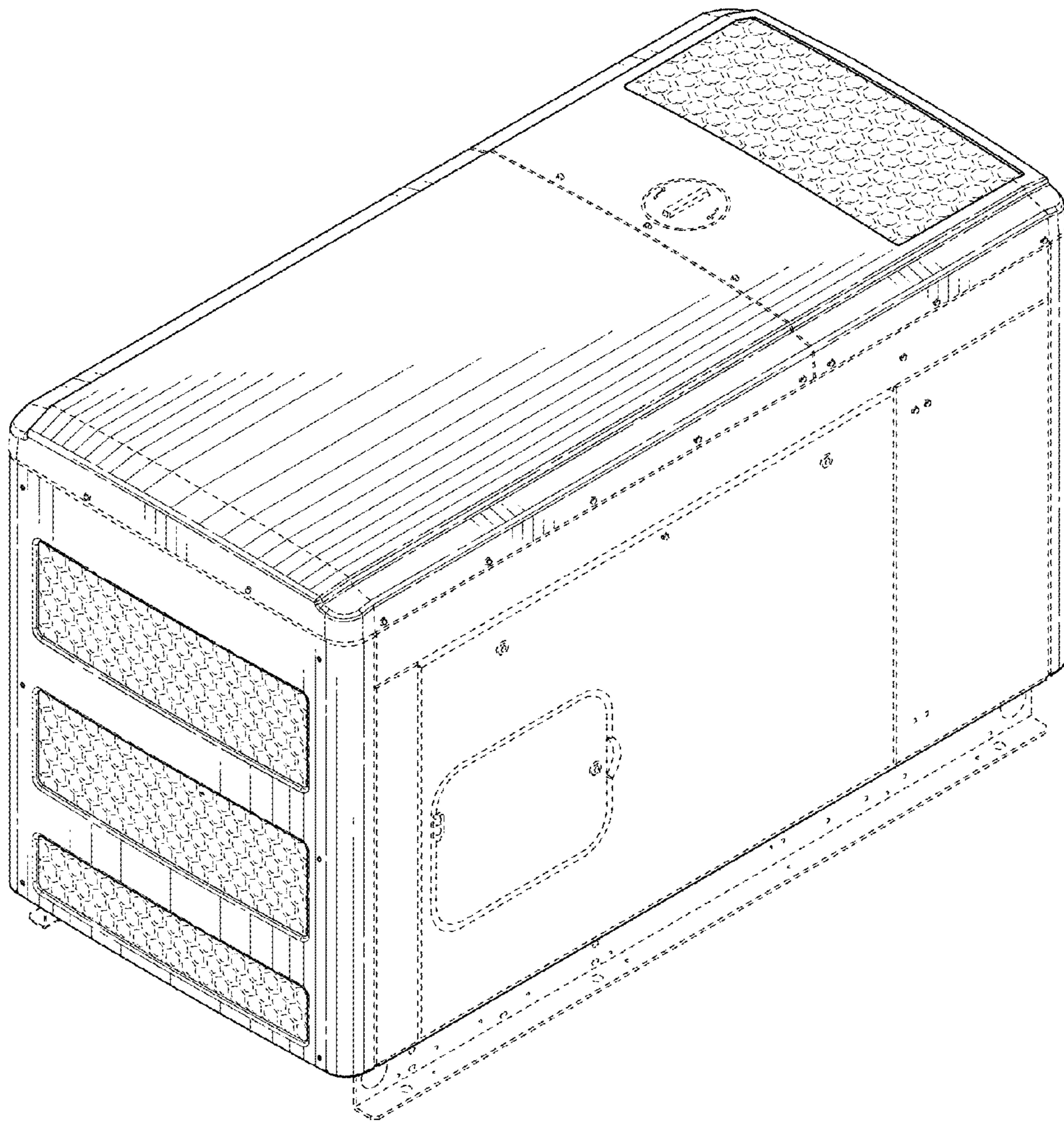


FIG. 1

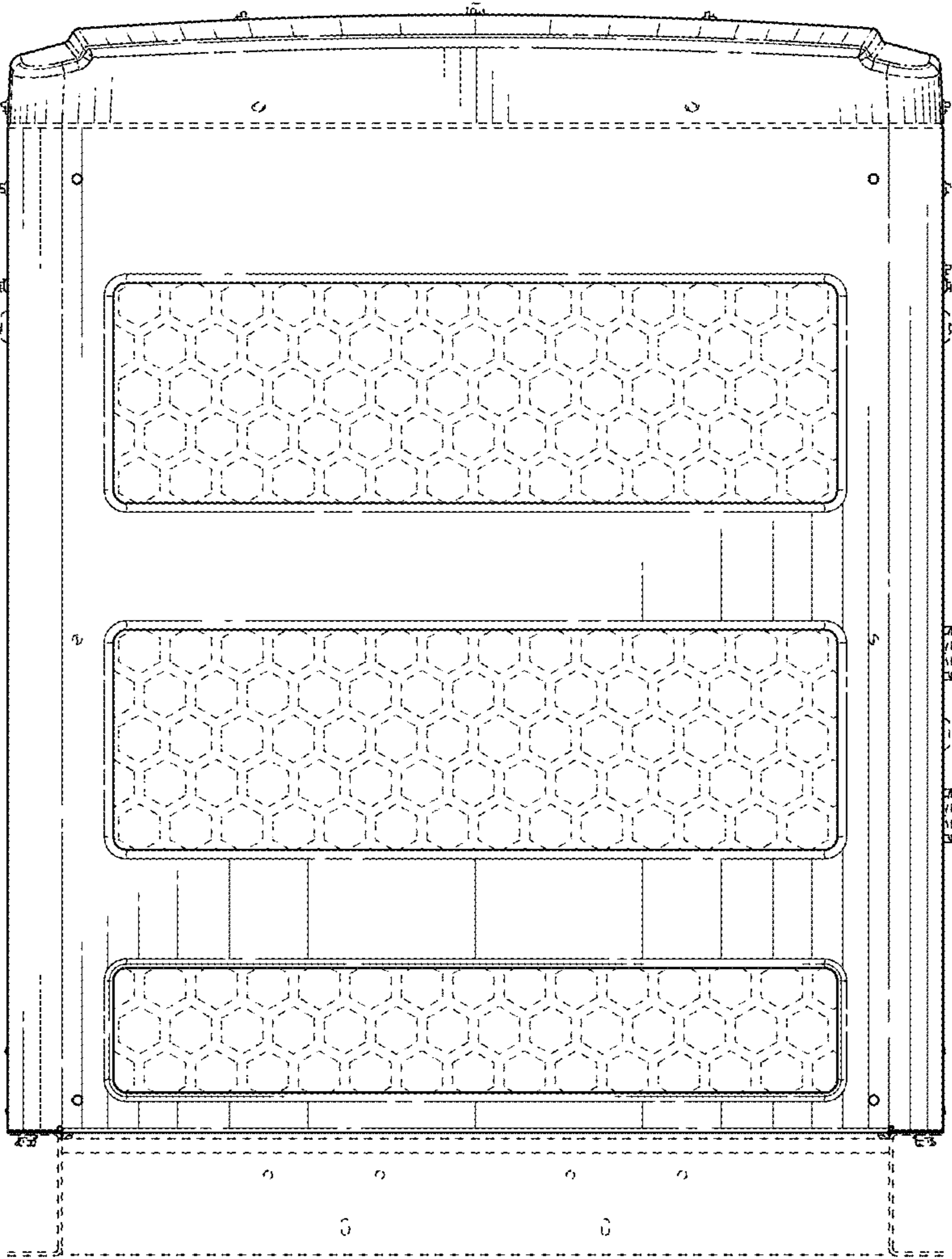


FIG. 2

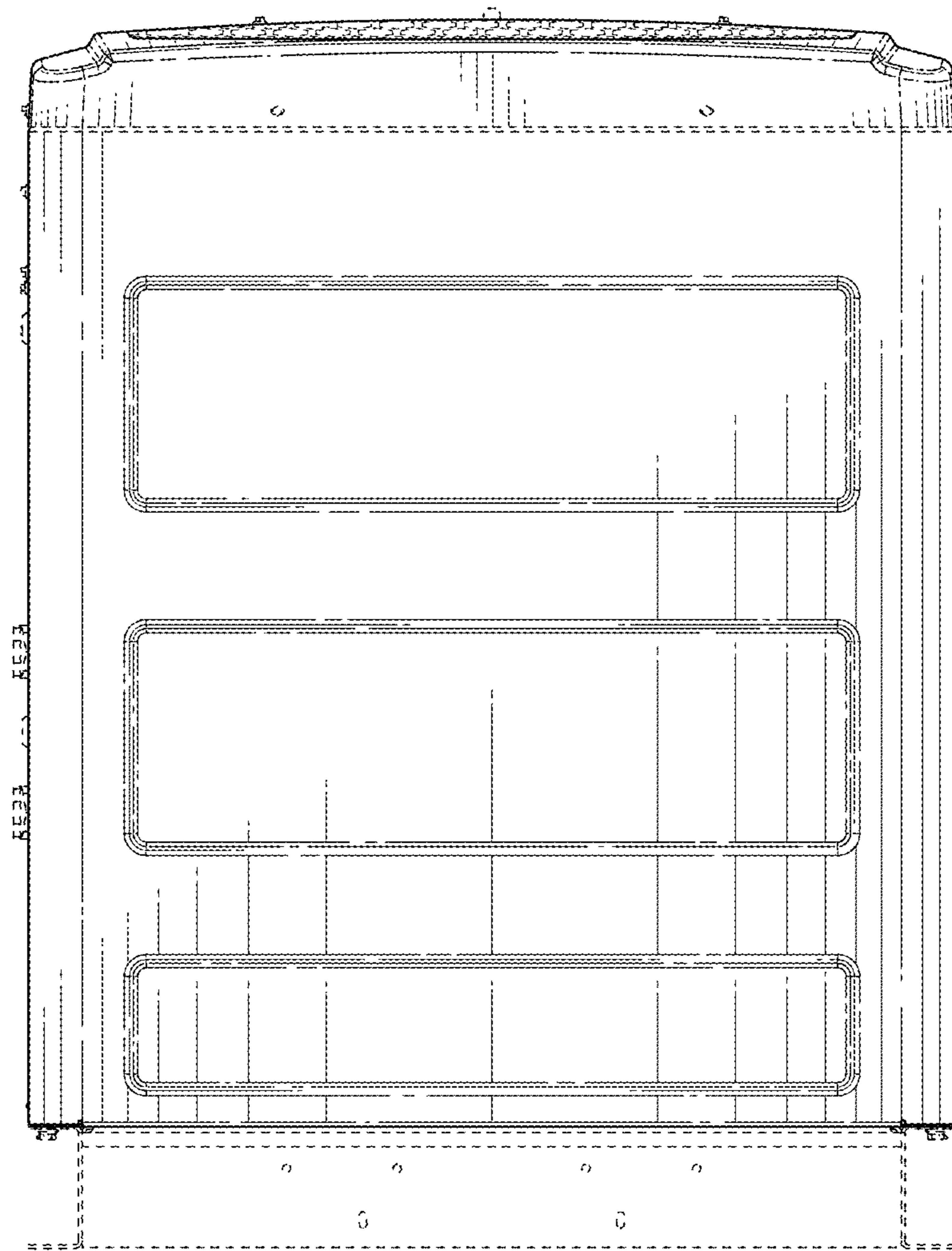


FIG. 3

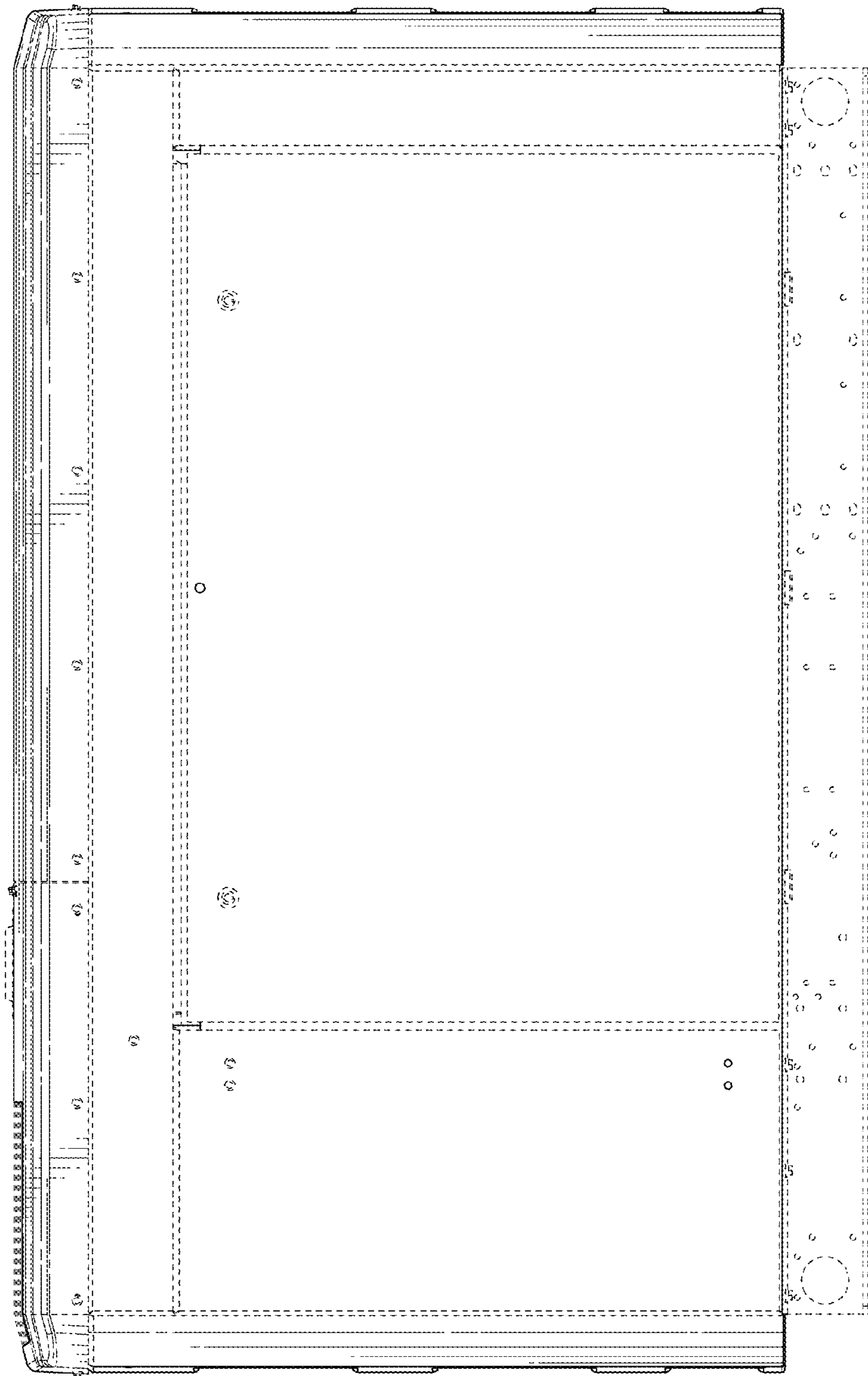


FIG. 4

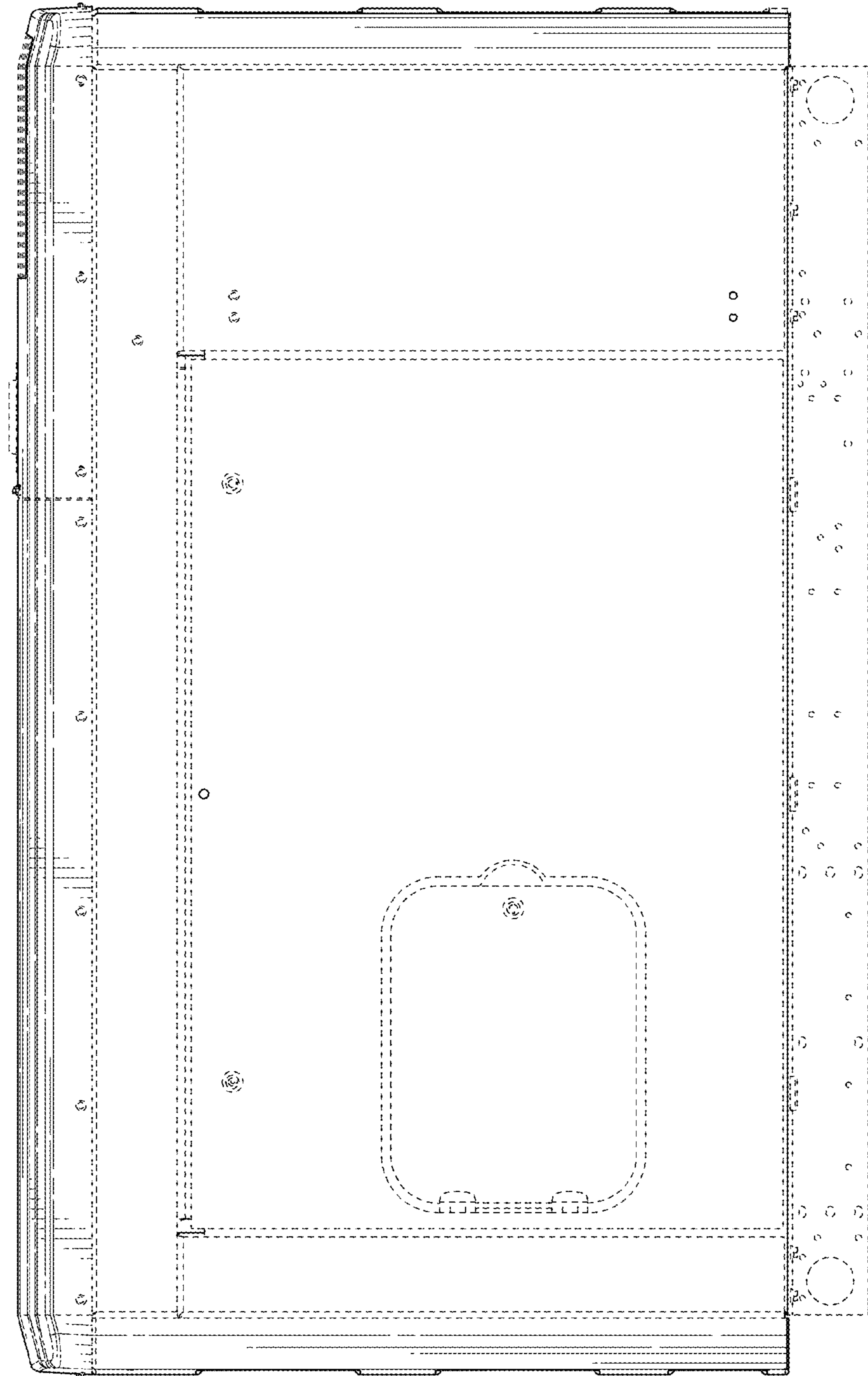


FIG. 5

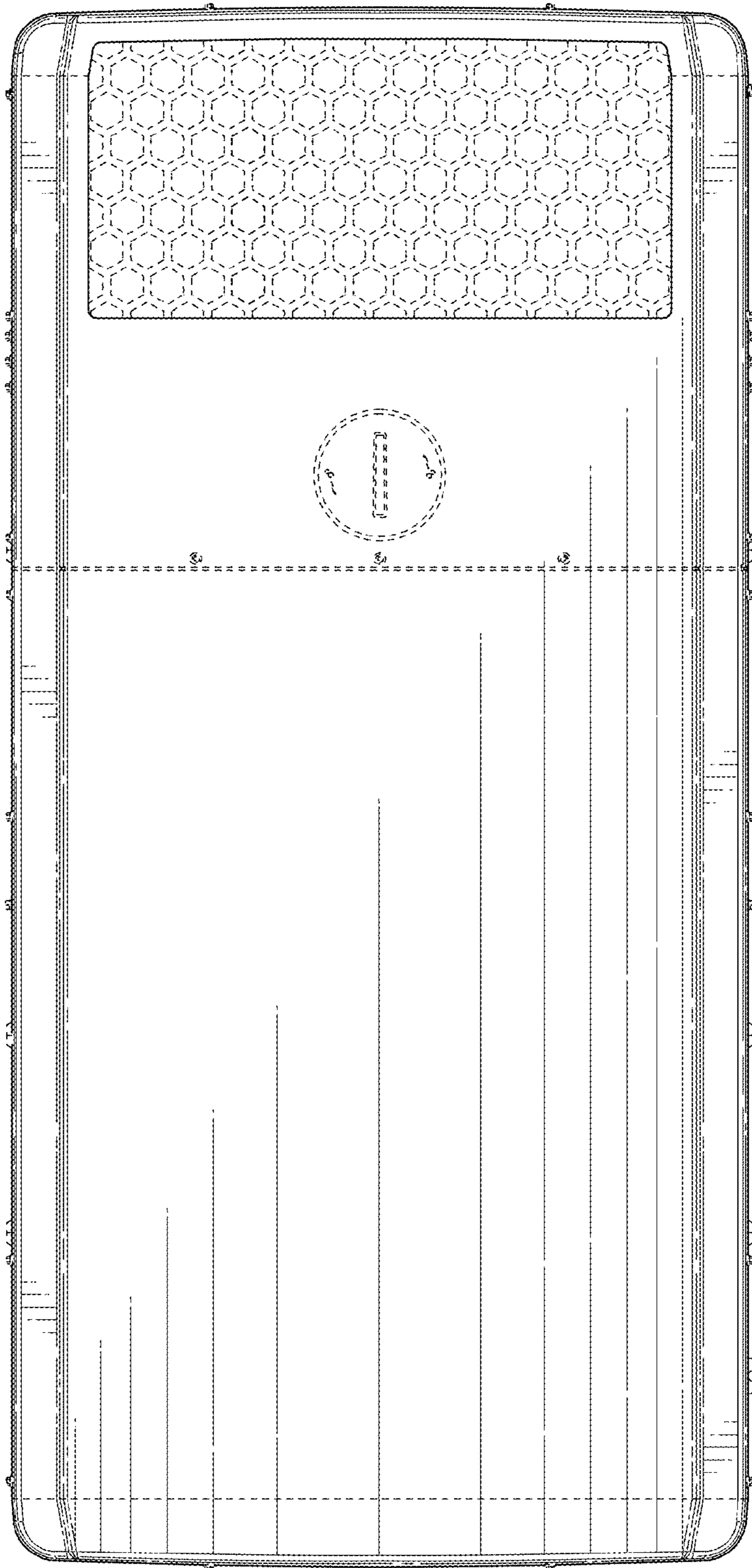


FIG. 6

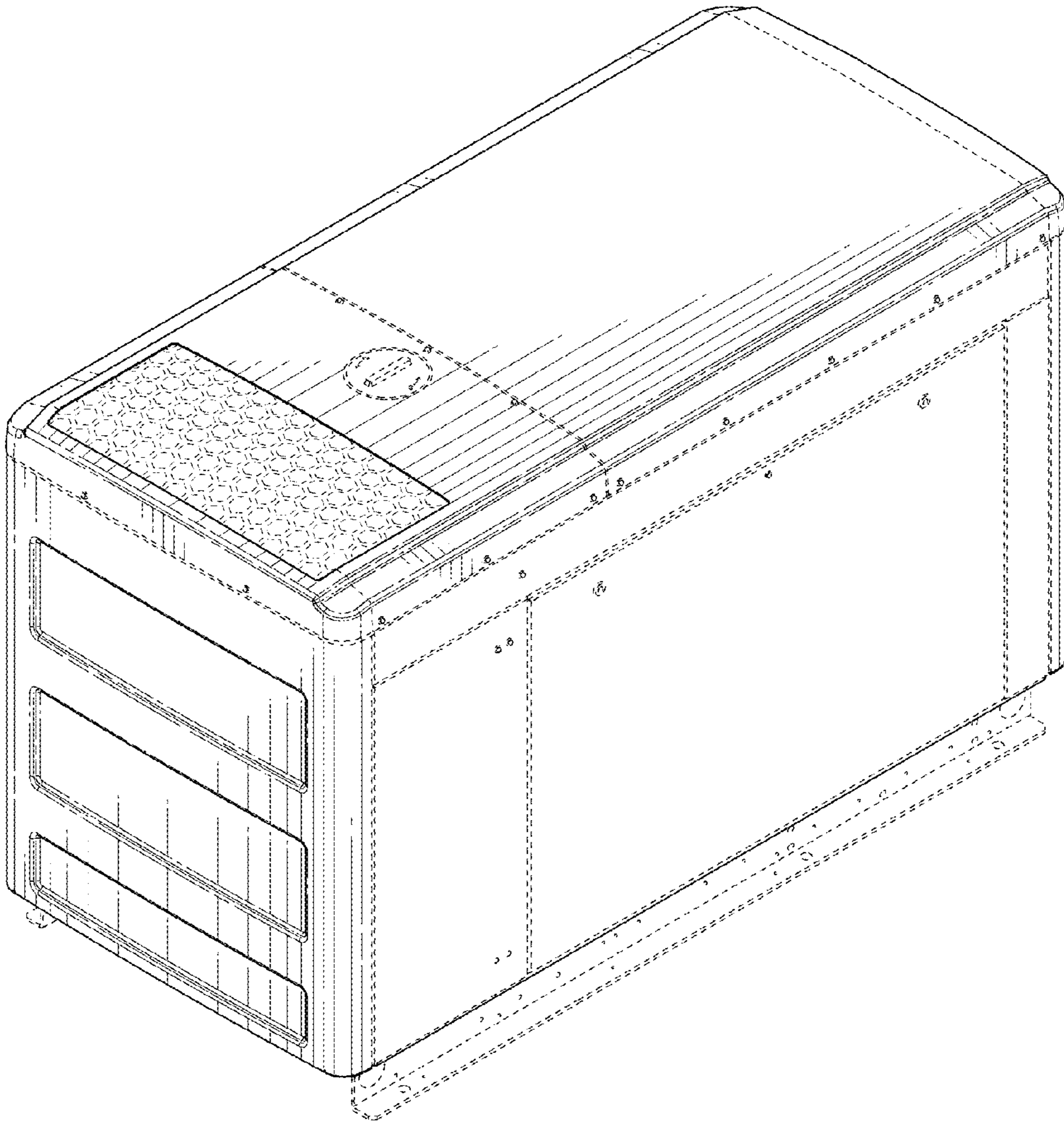


FIG. 7