



US00D761730S

(12) **United States Design Patent**
Kasaba et al.

(10) **Patent No.:** **US D761,730 S**
(45) **Date of Patent:** **** Jul. 19, 2016**

(54) **MODULE MAINTENANCE SYSTEM—PARALLEL COVER**

(71) Applicants: **Michael E. Kasaba**, Ventura, CA (US);
Brian R. Huff, Newbury Park, CA (US);
Russell Davis, Thousand Oaks, CA (US)

(72) Inventors: **Michael E. Kasaba**, Ventura, CA (US);
Brian R. Huff, Newbury Park, CA (US);
Russell Davis, Thousand Oaks, CA (US)

(73) Assignee: **Artisan Vehicle Systems, Inc.**,
Camarillo, CA (US)

(**) Term: **14 Years**

(21) Appl. No.: **29/463,113**

(22) Filed: **Jul. 31, 2013**

(51) **LOC (10) Cl.** **13-02**

(52) **U.S. Cl.**
USPC **D13/119**

(58) **Field of Classification Search**
USPC D13/118, 110, 103, 119–121, 154, 162;
166/380; 429/77, 175, 96, 100, 86, 87,
429/177
CPC H01M 2/04
See application file for complete search history.

(56) **References Cited**

U.S. PATENT DOCUMENTS

D185,747 S *	7/1959	Glyer	D13/119
2,956,101 A *	10/1960	Buhl, Jr.	429/151
3,360,403 A *	12/1967	Halsall	429/86
3,711,335 A *	1/1973	Daniel	429/161
4,205,121 A *	5/1980	Naitoh	429/99
4,562,126 A *	12/1985	Chartrain et al.	429/72
5,104,754 A *	4/1992	Dorinski et al.	429/99
D332,442 S *	1/1993	Simpson, Sr.	D13/119
D409,140 S *	5/1999	Endo	D13/119
6,124,055 A *	9/2000	Stocchiero	429/65
6,277,517 B1 *	8/2001	Thomas et al.	429/175
D469,059 S *	1/2003	Ando et al.	D13/110
D699,669 S *	2/2014	Kasaba et al.	D13/103

* cited by examiner

Primary Examiner — Paula Greene

(57) **CLAIM**

The ornamental design for a module maintenance system-parallel cover, as shown and described.

DESCRIPTION

FIG. 1 is a top view of our module maintenance system-parallel cover showing our new design; FIG. 2 is a right side view thereof; FIG. 3 is a front view thereof; FIG. 4 is a left side view thereof; FIG. 5 is a bottom view thereof; FIG. 6 is a top front view thereof; and, FIG. 7 is a bottom rear view thereof. The broken lines form no part of the claimed design.

1 Claim, 2 Drawing Sheets

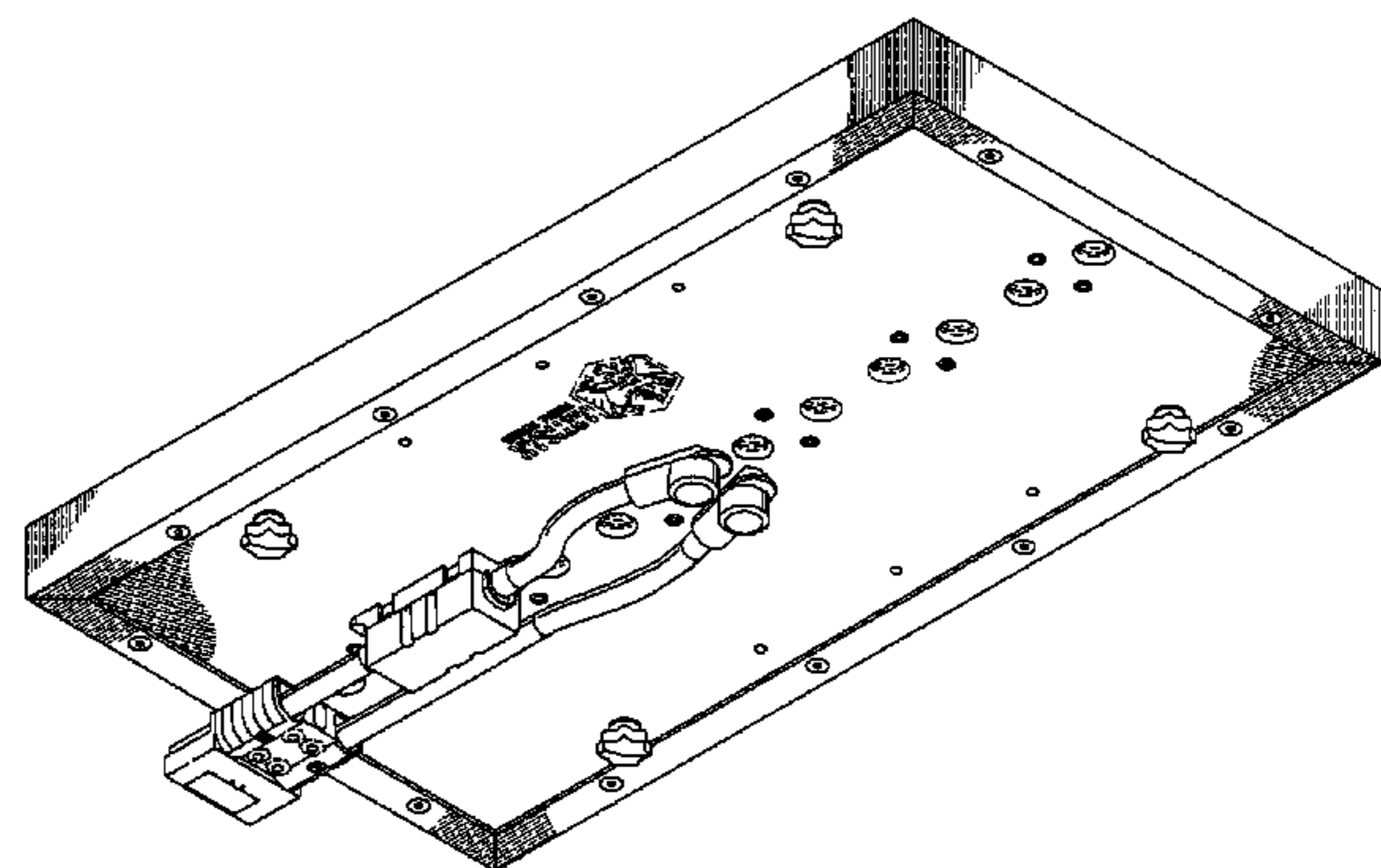
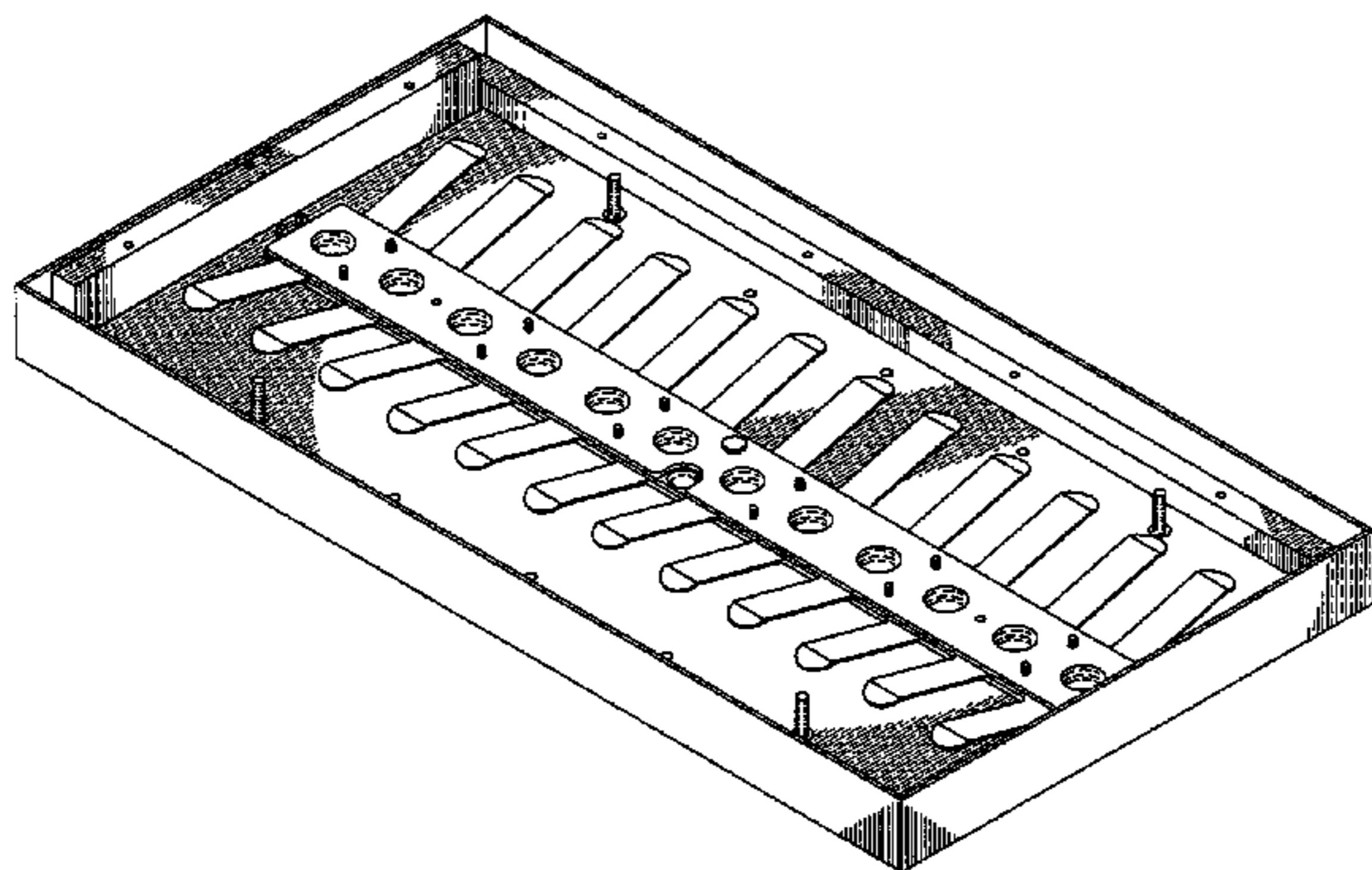


FIG. 1

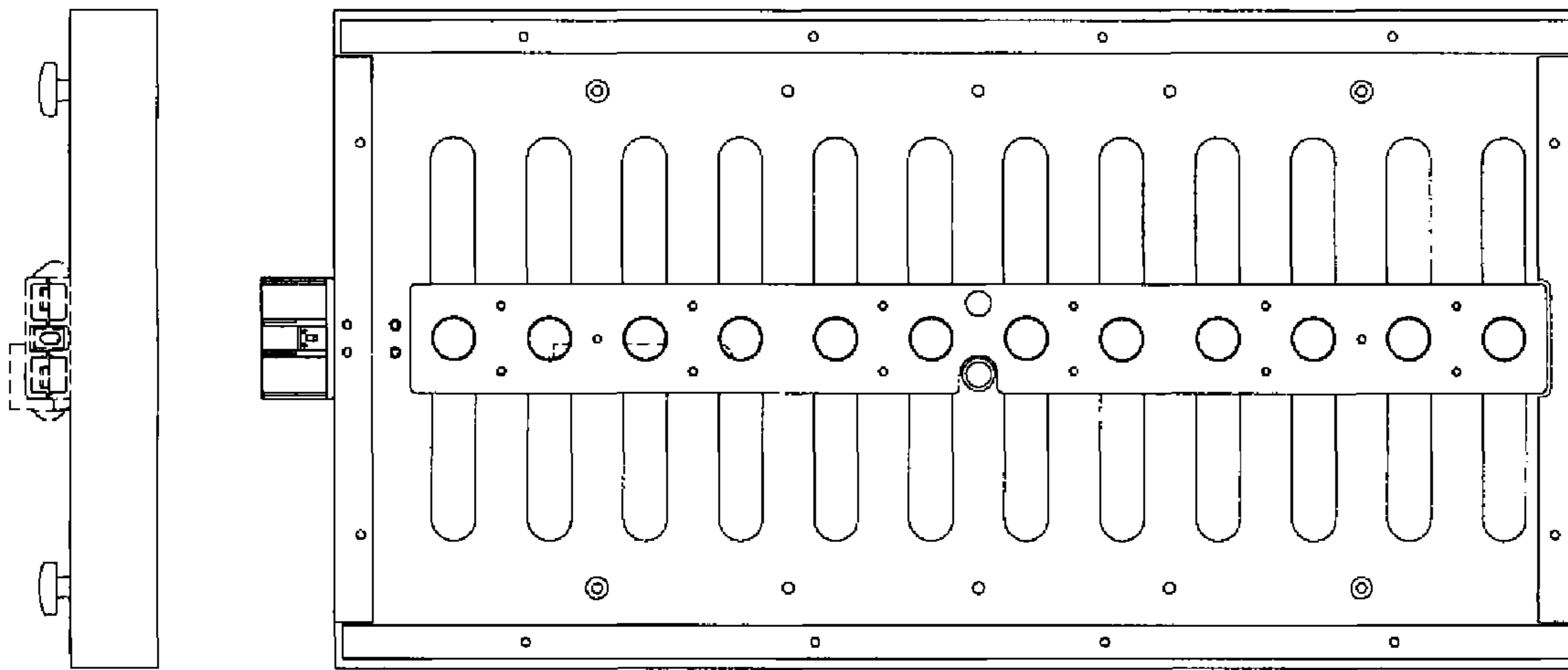


FIG. 2

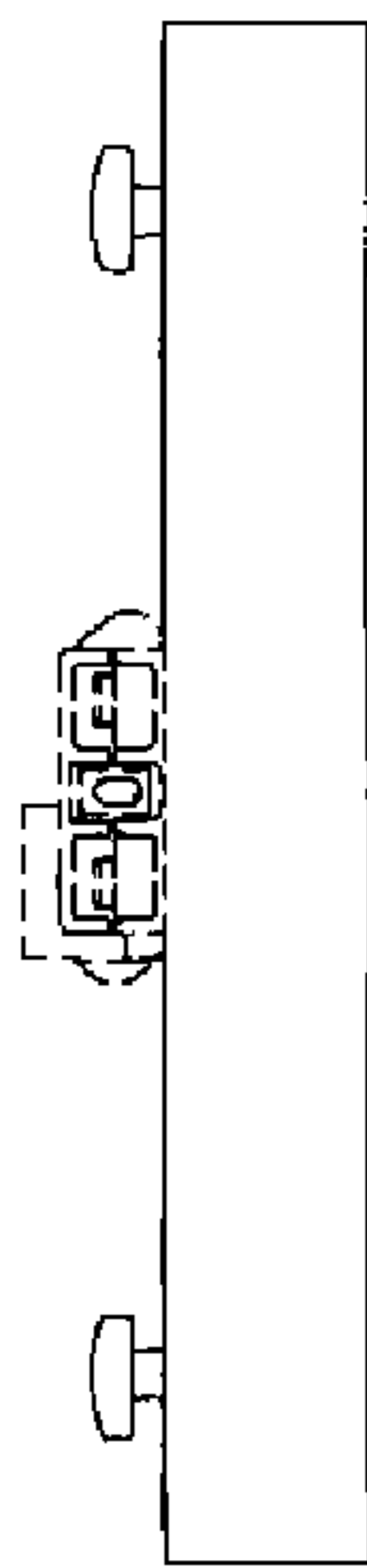


FIG. 3

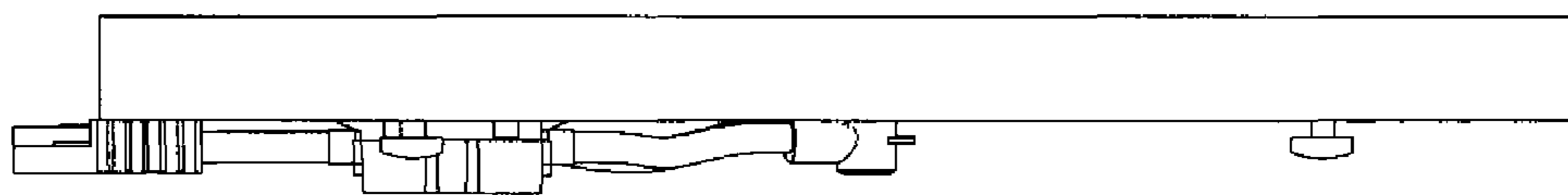


FIG. 4

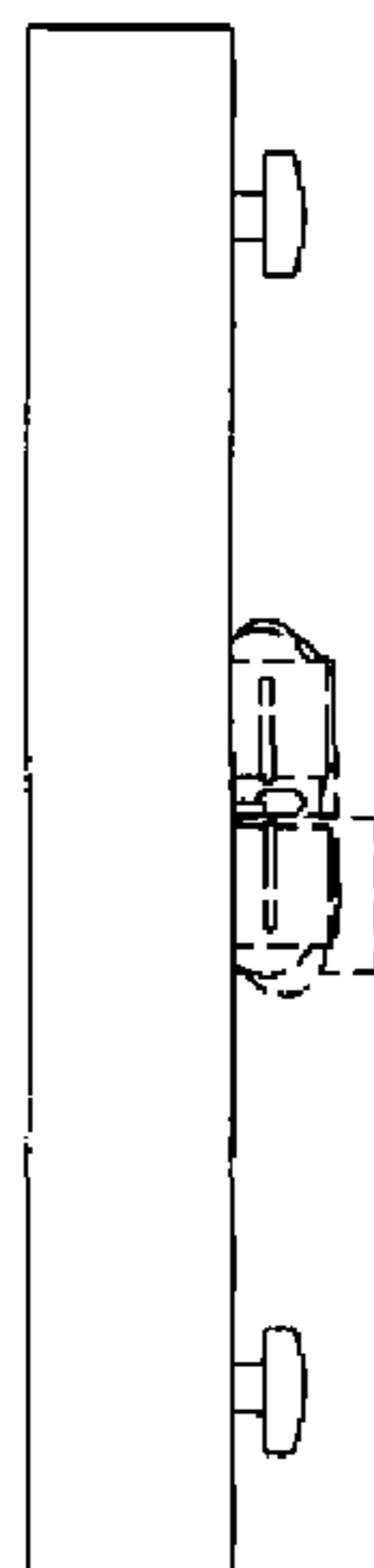
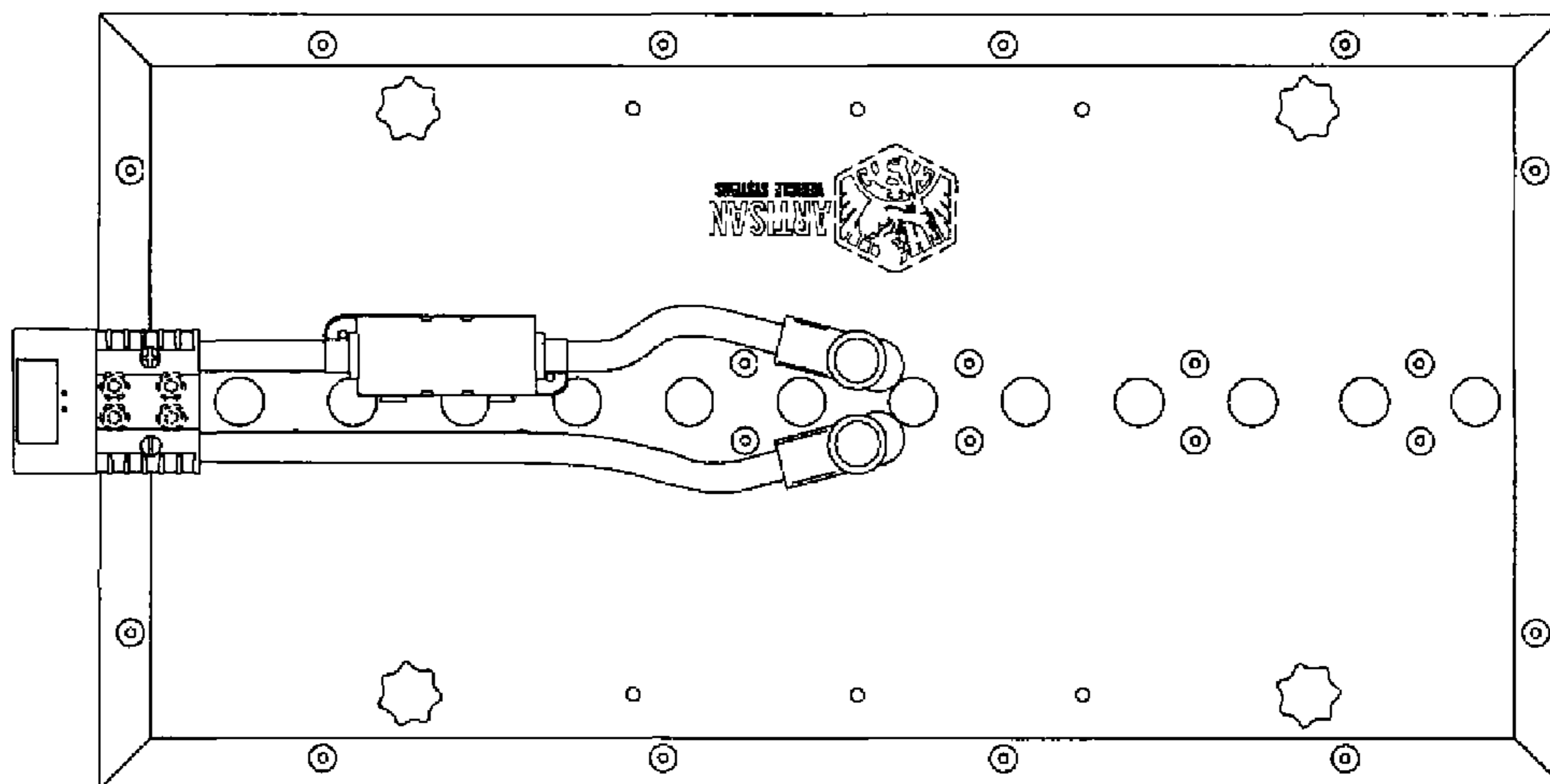


FIG. 5



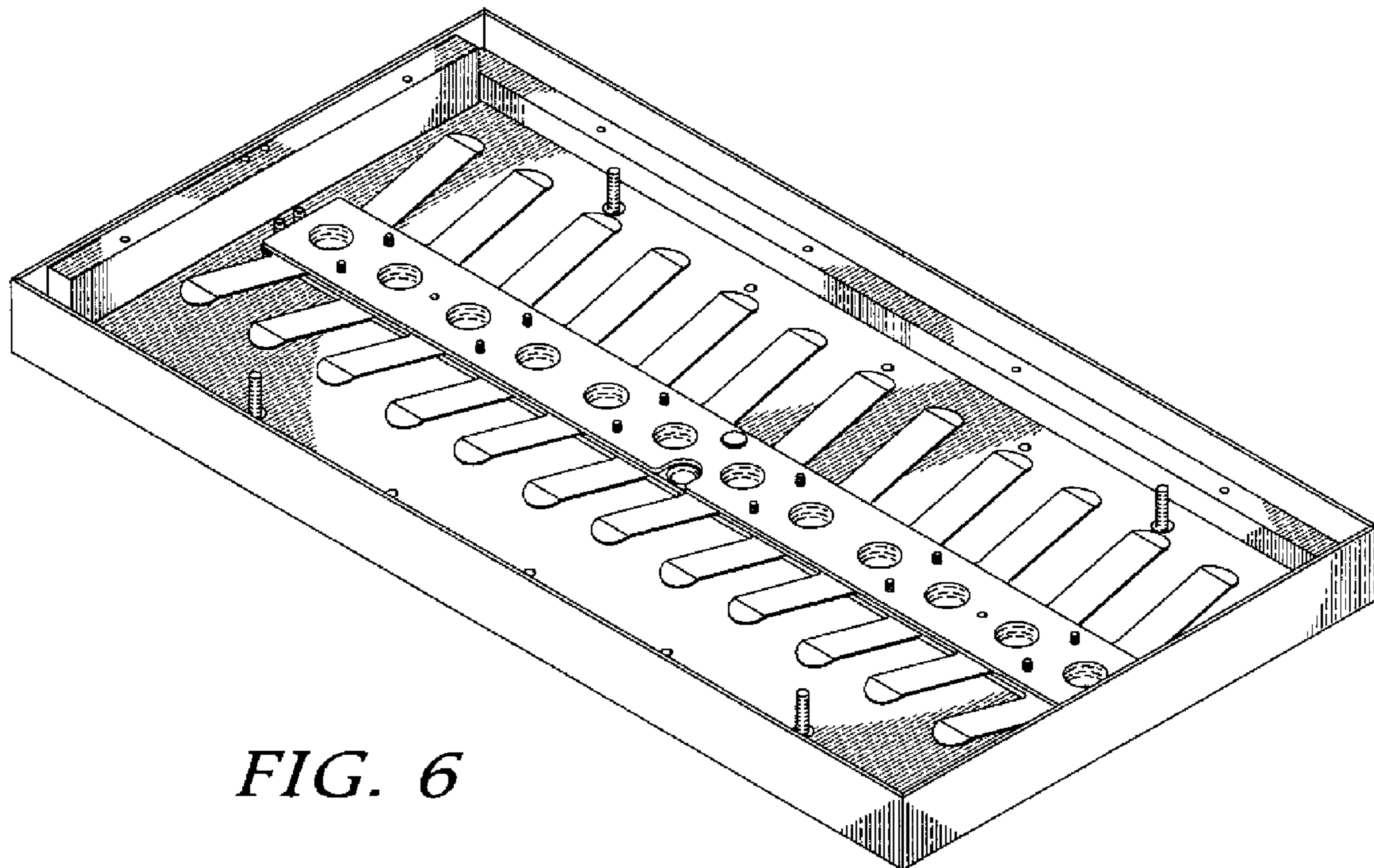


FIG. 6

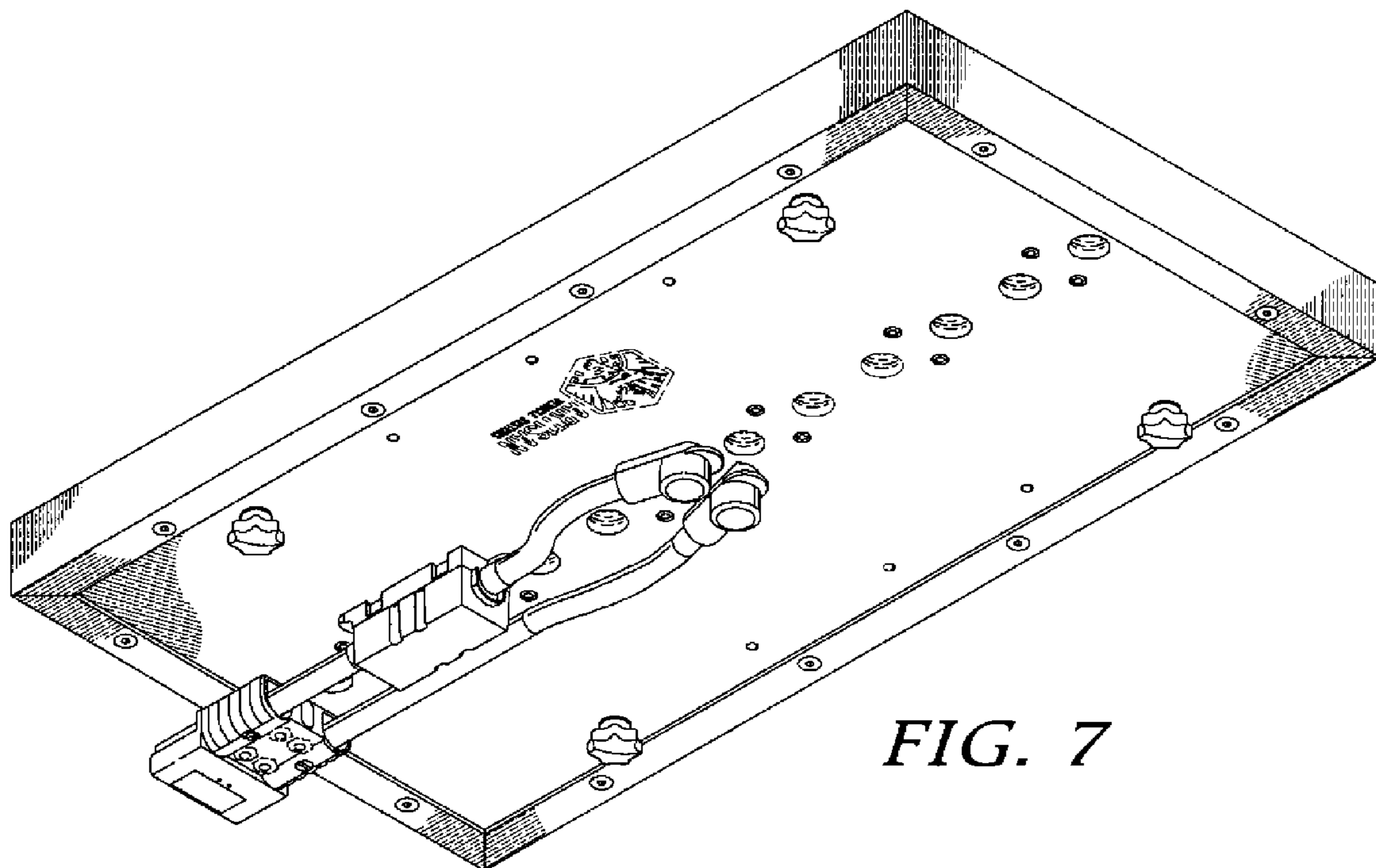


FIG. 7