



US00D761729S

(12) **United States Design Patent**
Leong

(10) **Patent No.:** **US D761,729 S**
(45) **Date of Patent:** **** Jul. 19, 2016**

(54) **POWER ADAPTER AND CHARGER**

Primary Examiner — Rosemary K Tarcza
Assistant Examiner — Christy Nemeth

(71) Applicant: **Kevin Kar-Siun Leong**, Berkeley, CA
(US)

(72) Inventor: **Kevin Kar-Siun Leong**, Berkeley, CA
(US)

(57) **CLAIM**
The ornamental design for a power adapter and charger, as shown and described.

(**) Term: **14 Years**

(21) Appl. No.: **29/518,518**

DESCRIPTION

(22) Filed: **Feb. 24, 2015**

(51) **LOC (10) Cl.** **13-02**

(52) **U.S. Cl.**
USPC **D13/108**

(58) **Field of Classification Search**
USPC D13/107–110, 118, 119, 133, 144, 184;
D14/251, 253, 432, 434; 320/107–115
CPC Y02E 60/12; Y02T 90/14; Y02T 90/122;
Y02T 90/128; Y02T 90/163; H02J 7/025;
H02J 7/042; H02J 7/044; H02J 7/0003;
H02J 7/0027; H02J 7/0013; H02J 7/0054;
H02J 7/00; H02J 2001/008; H02J 3/32;
H02J 3/008; H01F 38/14; H01R 13/6675;
H01M 2/1022; H01M 2/1055; H01M 10/44;
H01M 10/46; H01M 10/425; B60L 11/182;
B60L 11/1809; B60L 11/1861; B60R 16/03
See application file for complete search history.

FIG. 1 is a right side perspective view of a first embodiment of a power adapter and charger showing my new design;
FIG. 2 is a right side perspective view of a second embodiment;
FIG. 3 is a left side perspective view of the first embodiment;
FIG. 4 is a left side perspective view of the second embodiment;
FIG. 5 is a front elevation view of the first embodiment;
FIG. 6 is a front elevation view of the second embodiment;
FIG. 7 is a right side elevation view of the first embodiment;
FIG. 8 is a right side elevation view of the second embodiment;
FIG. 9 is a left side elevation view of the first embodiment;
FIG. 10 is a left side elevation view of the second embodiment;
FIG. 11 is a rear elevation view of the first embodiment;
FIG. 12 is a rear elevation view of the second embodiment;
FIG. 13 is a top plan view of the first embodiment;
FIG. 14 is a top plan view of the second embodiment;
FIG. 15 is a bottom plan view of the first embodiment; and,
FIG. 16 is a bottom plan view of the second embodiment.
The broken line showing power ports, power connectors, and alphanumeric characters is included for the purpose of illustrating environmental structure and forms no part of the claimed design.

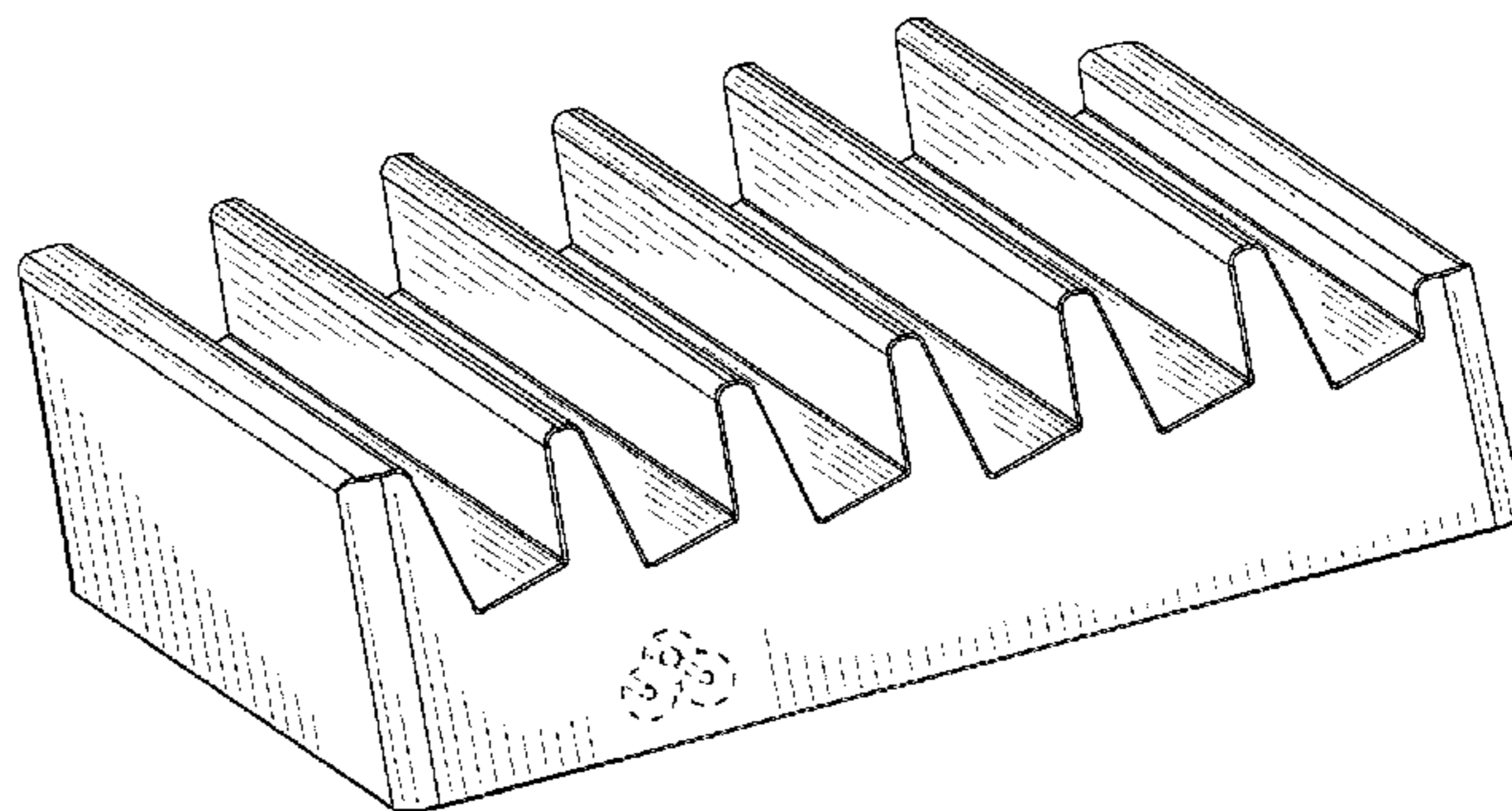
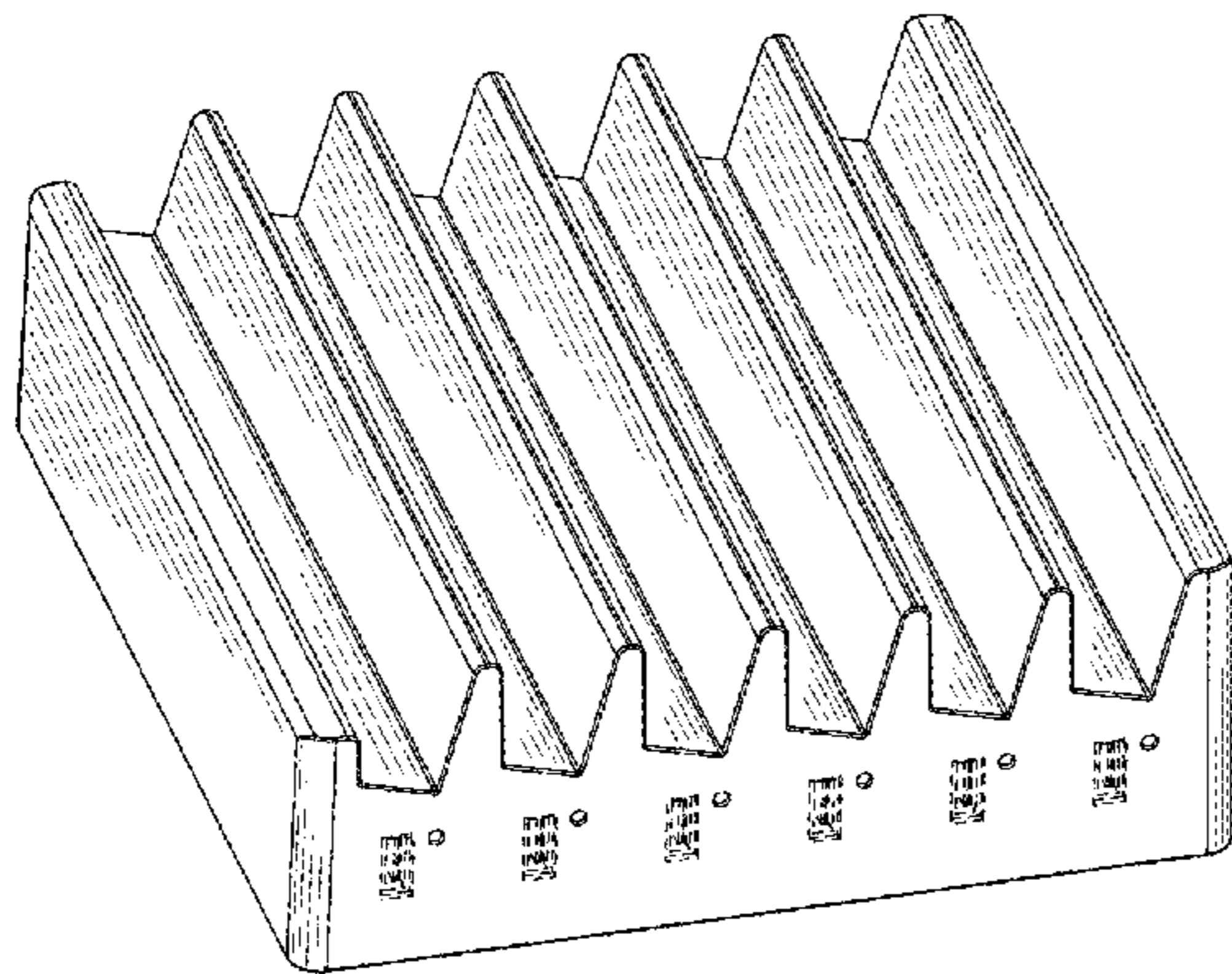
(56) **References Cited**

U.S. PATENT DOCUMENTS

D642,122 S *	7/2011	Budike, Jr.	D13/108
D642,124 S *	7/2011	Budike, Jr.	D13/108
D650,329 S *	12/2011	Budike, Jr.	D13/108
D669,429 S *	10/2012	Budike	D13/108
D669,430 S *	10/2012	Budike	D13/108

* cited by examiner

1 Claim, 16 Drawing Sheets



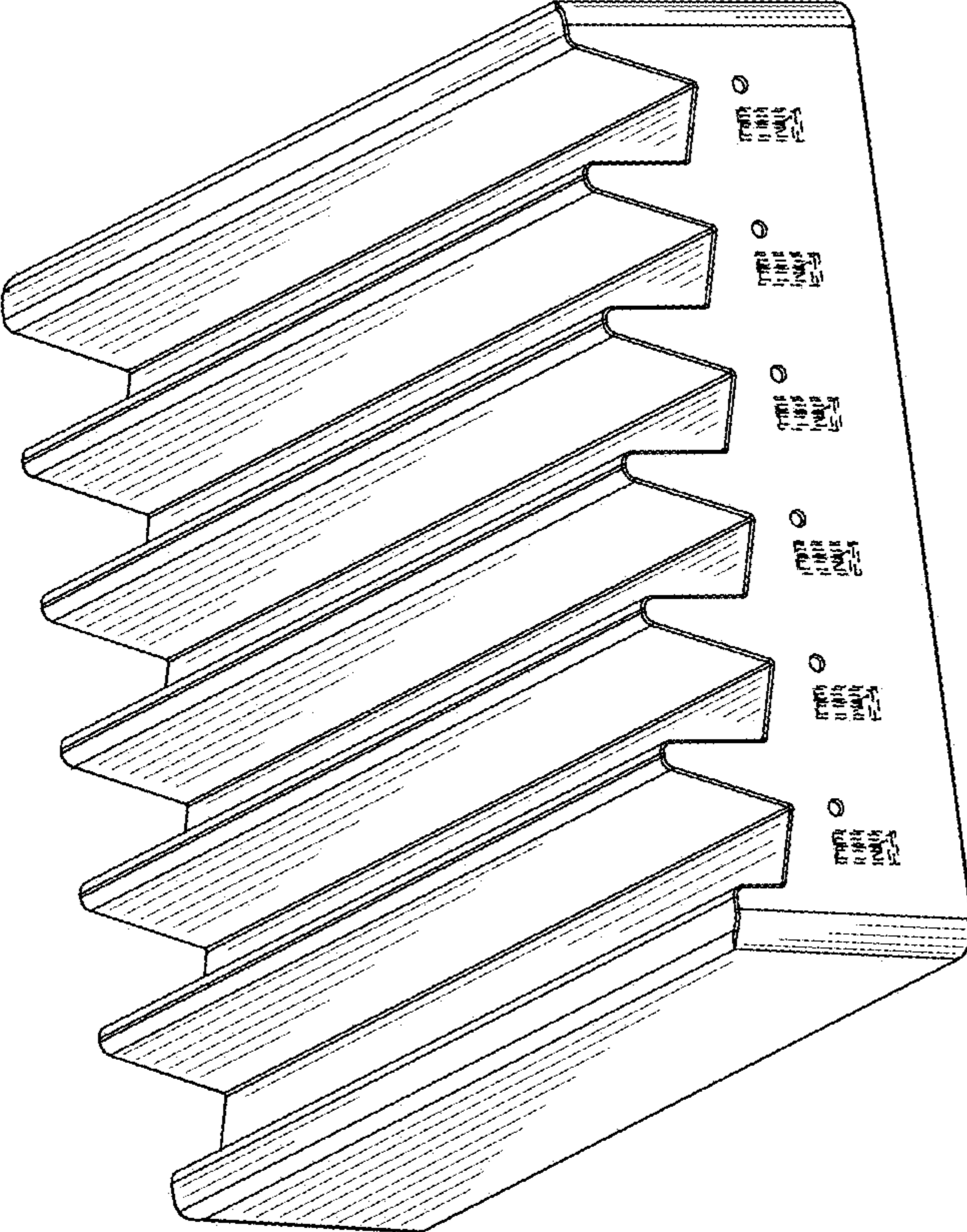


FIG. 1

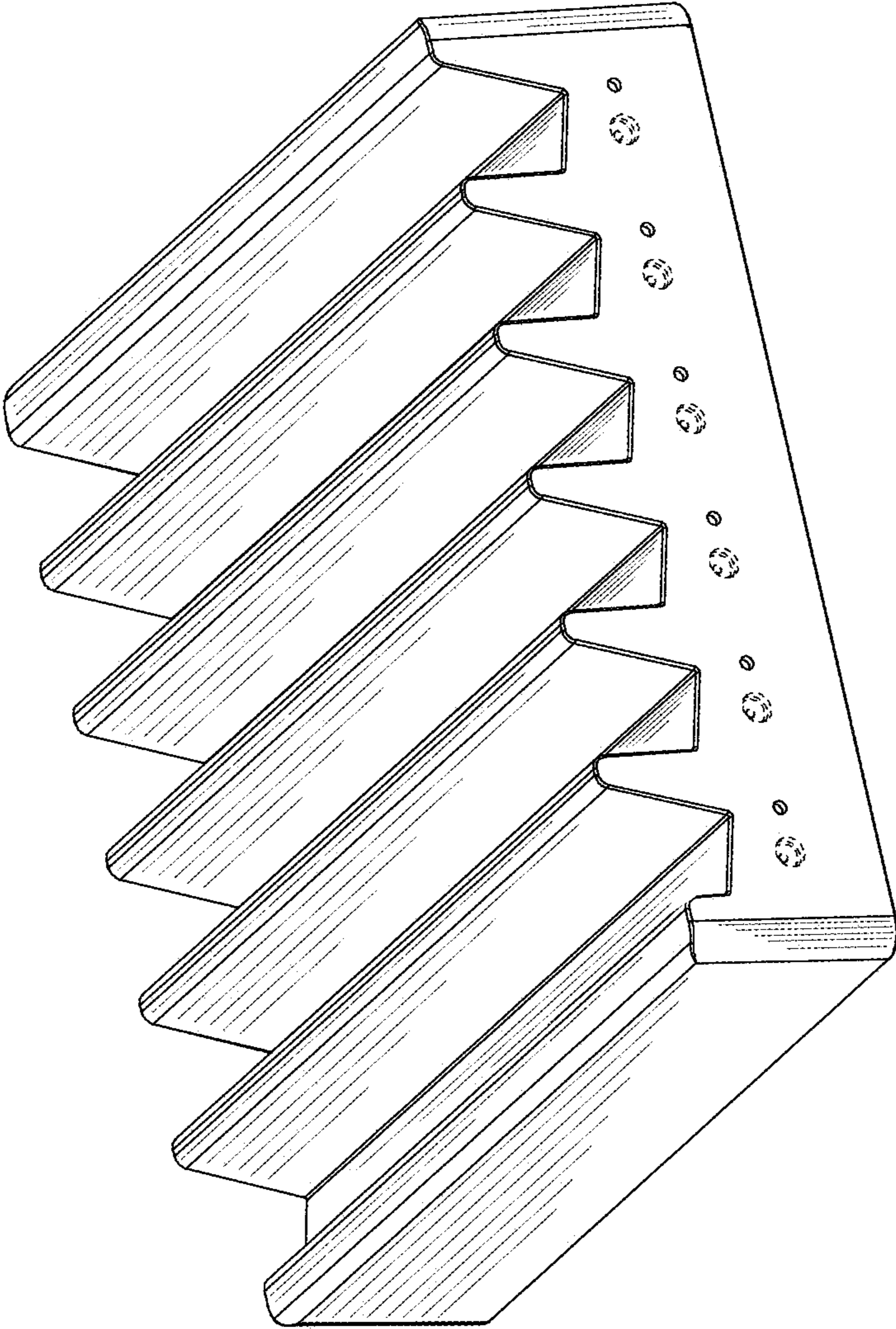


FIG. 2

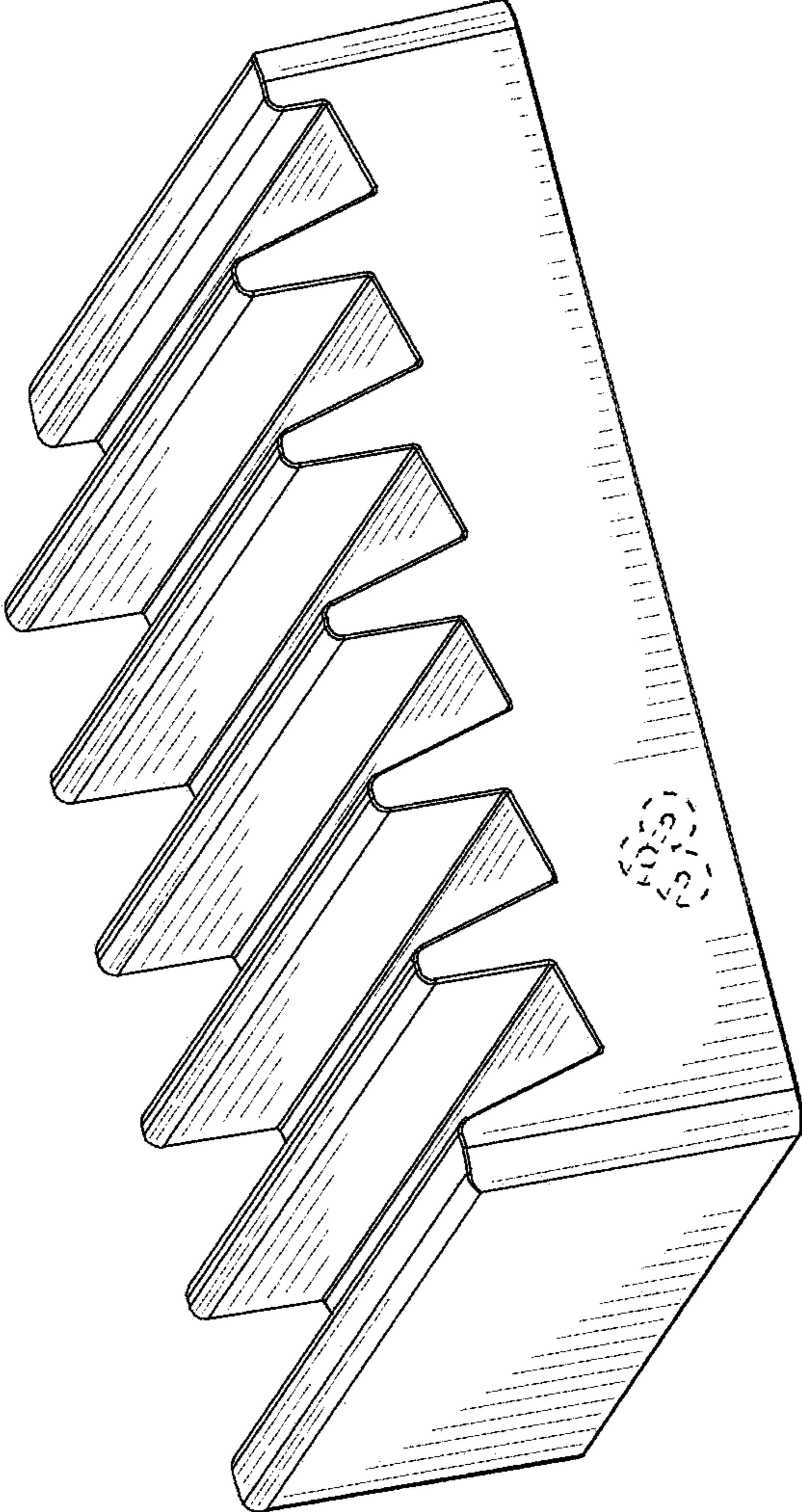


FIG. 3

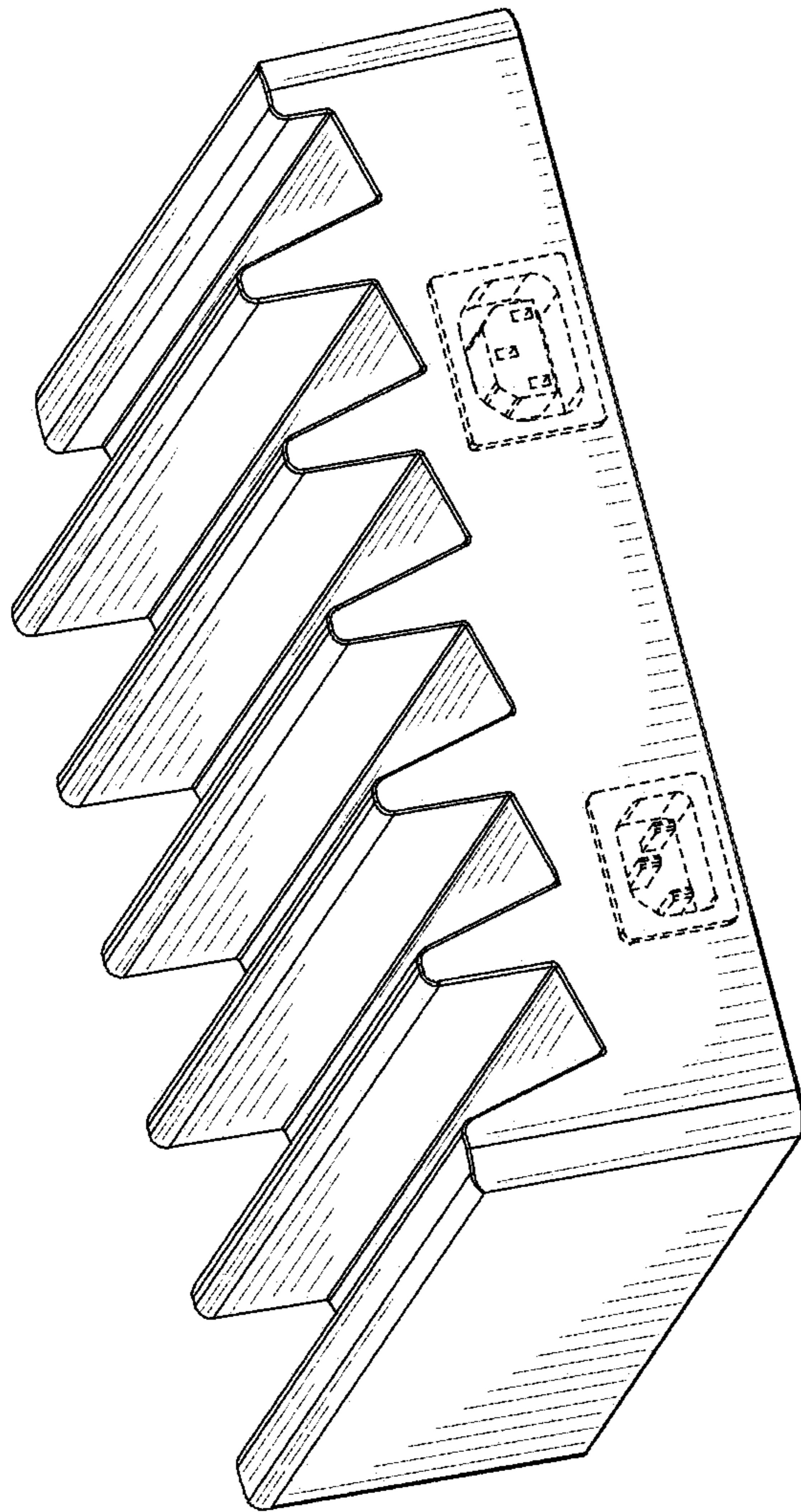


FIG. 4

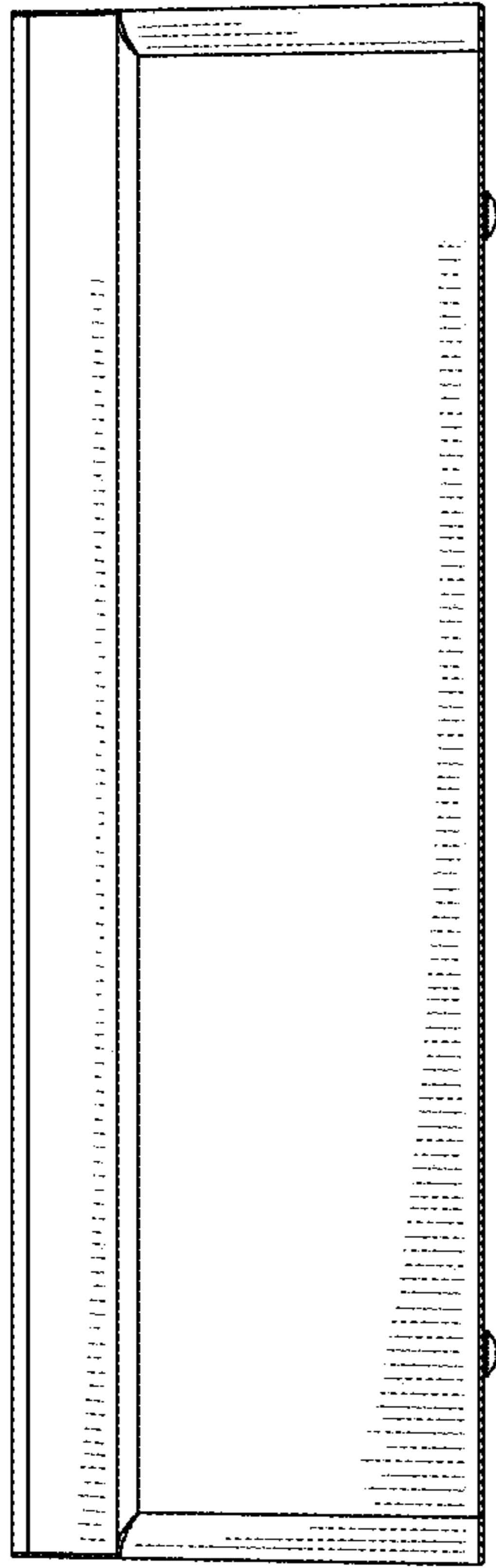


FIG. 5

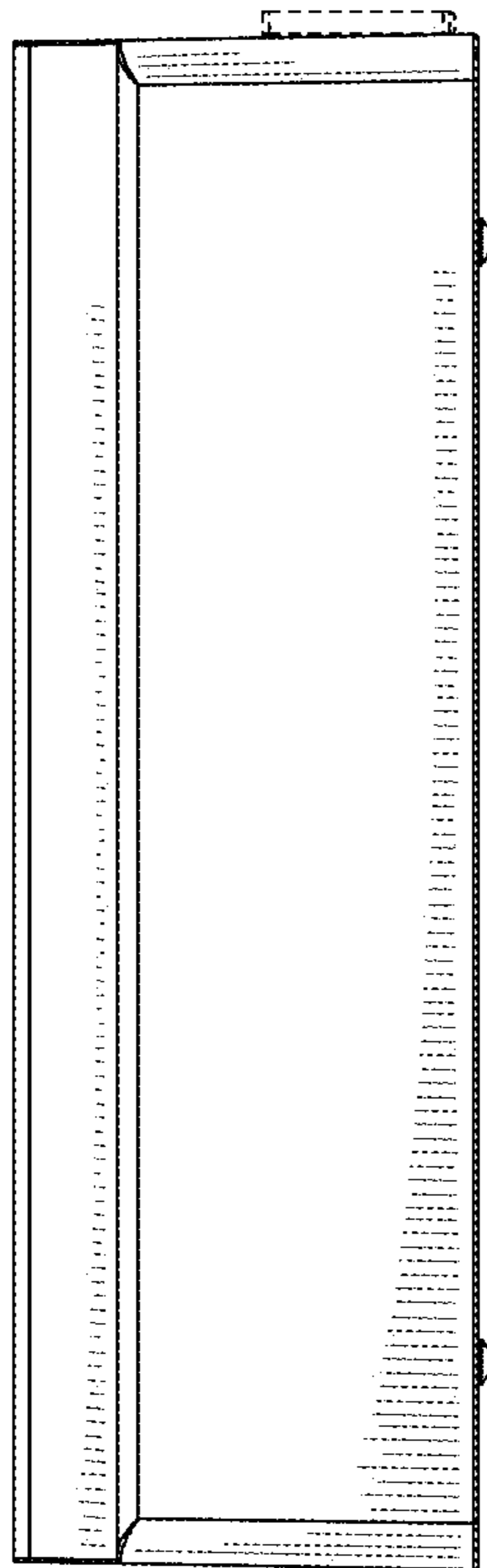


FIG. 6

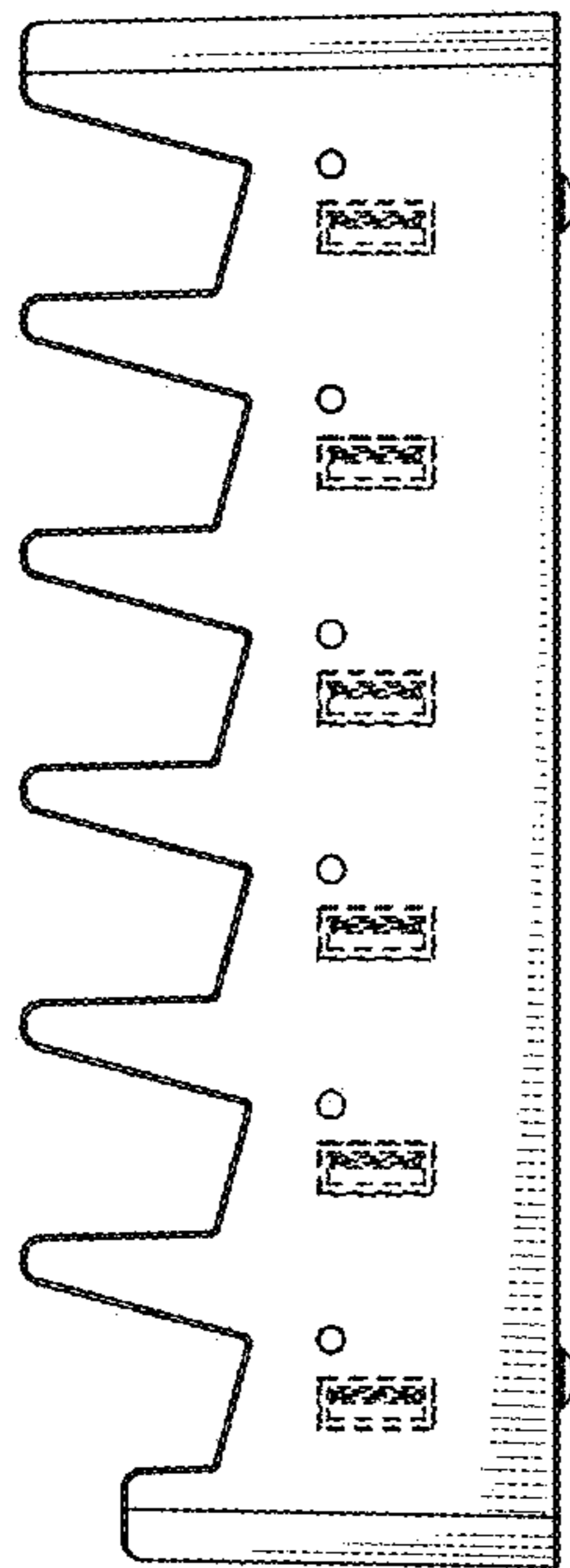


FIG. 7

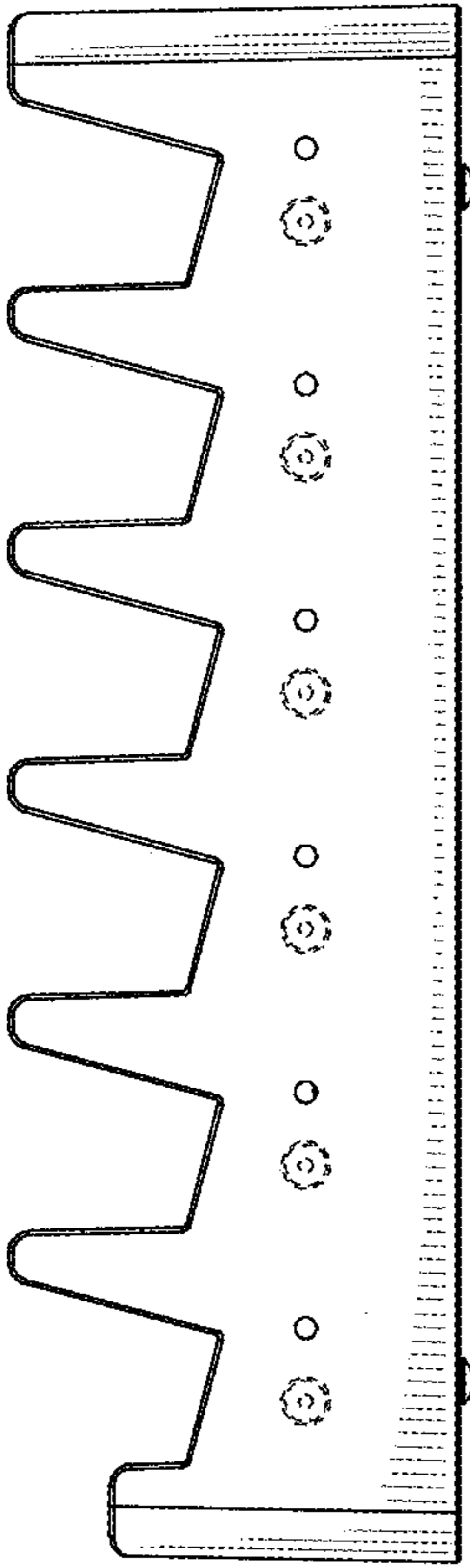


FIG. 8

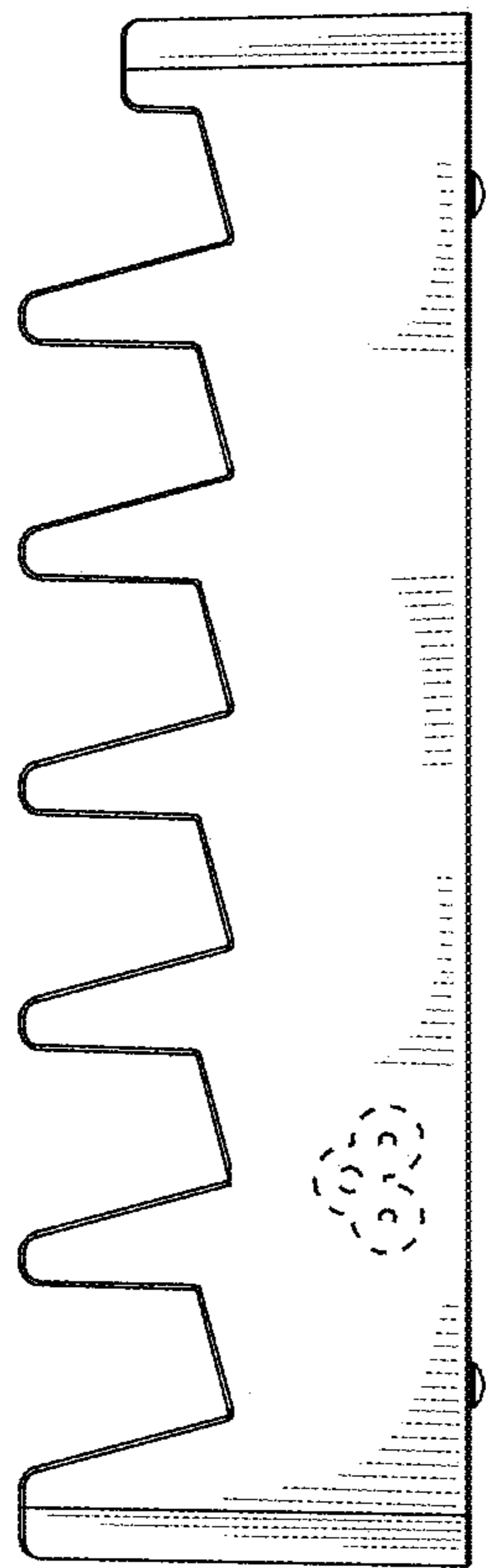


FIG. 9

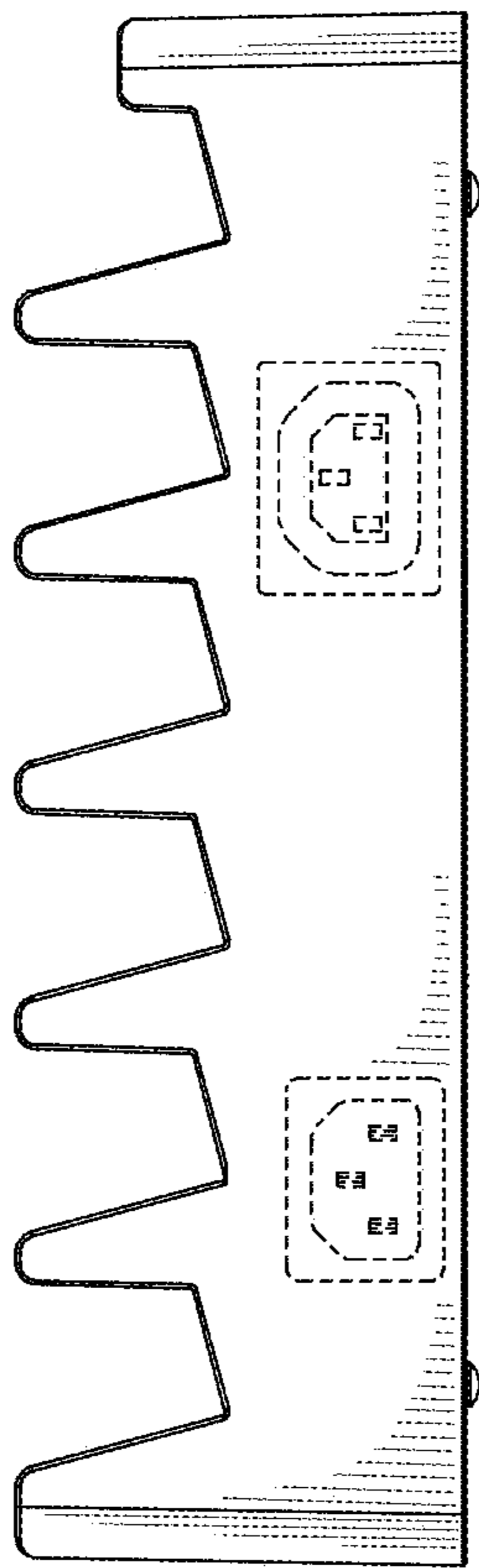


FIG. 10

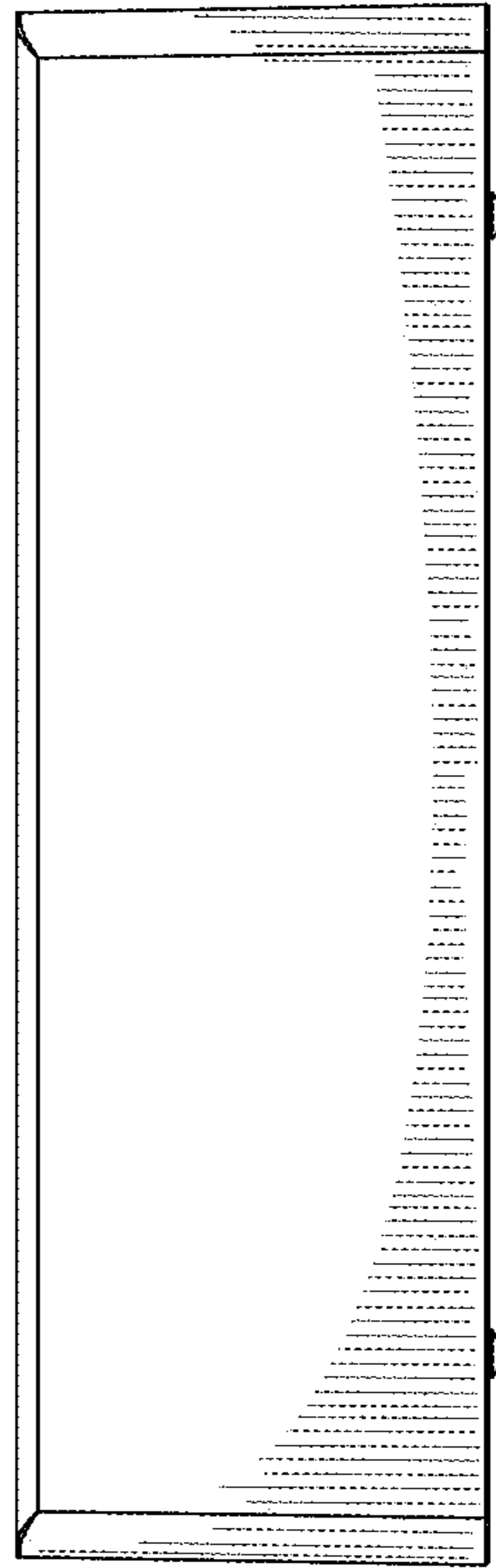


FIG. 11

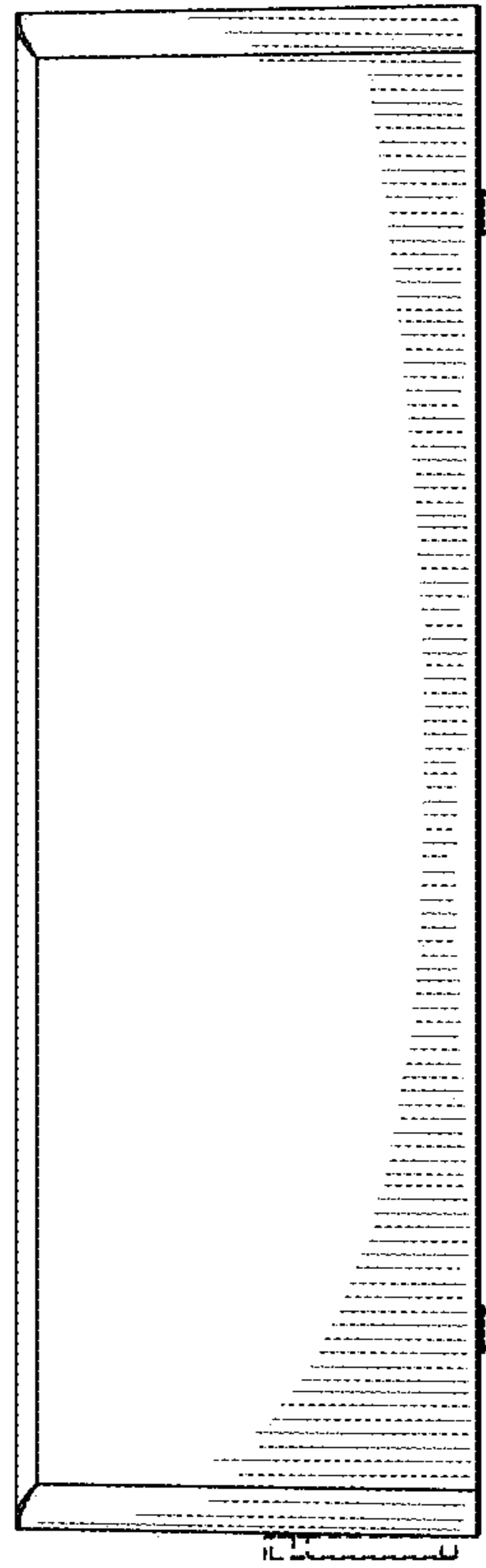


FIG. 12

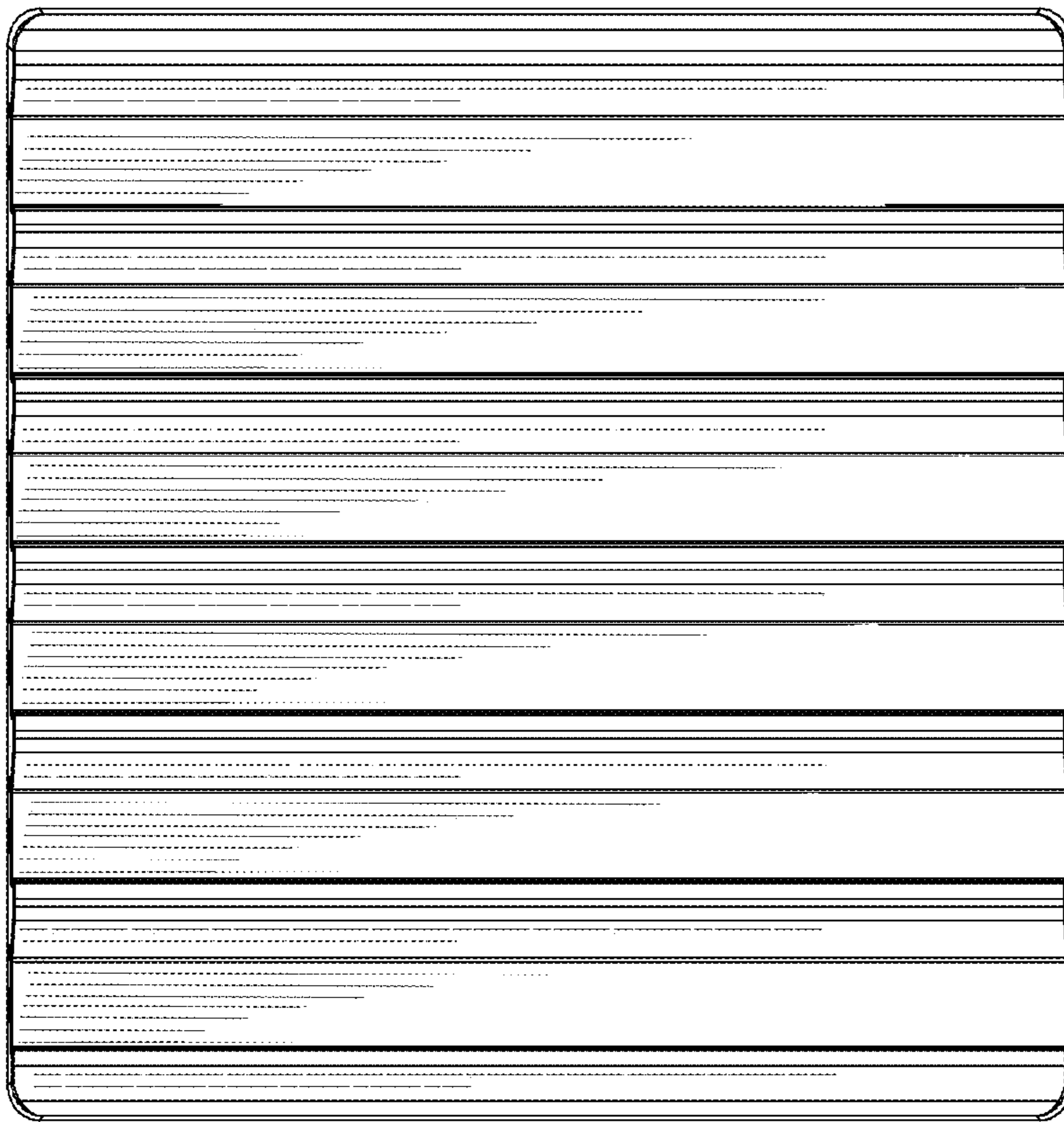


FIG. 13

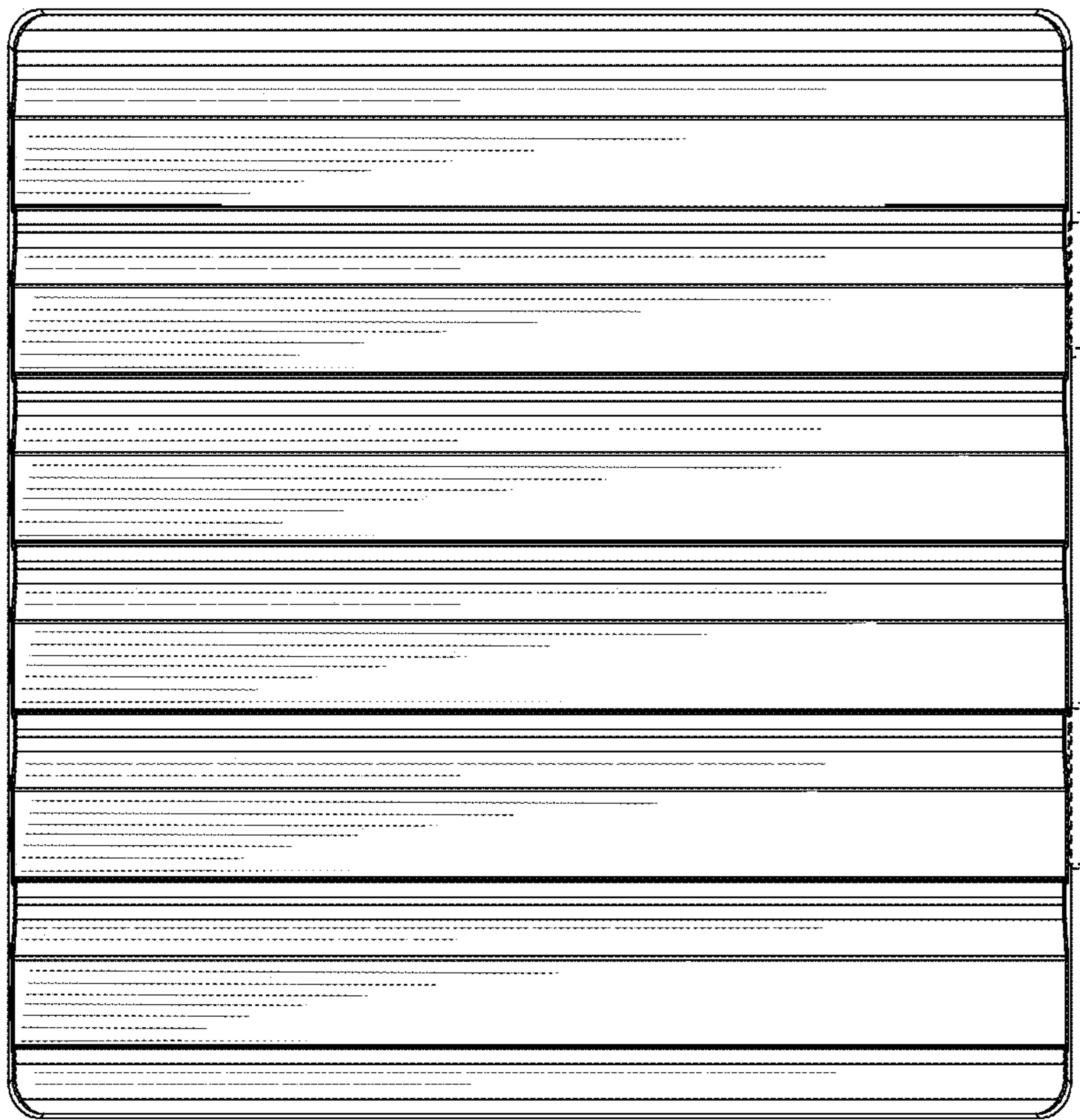


FIG. 14

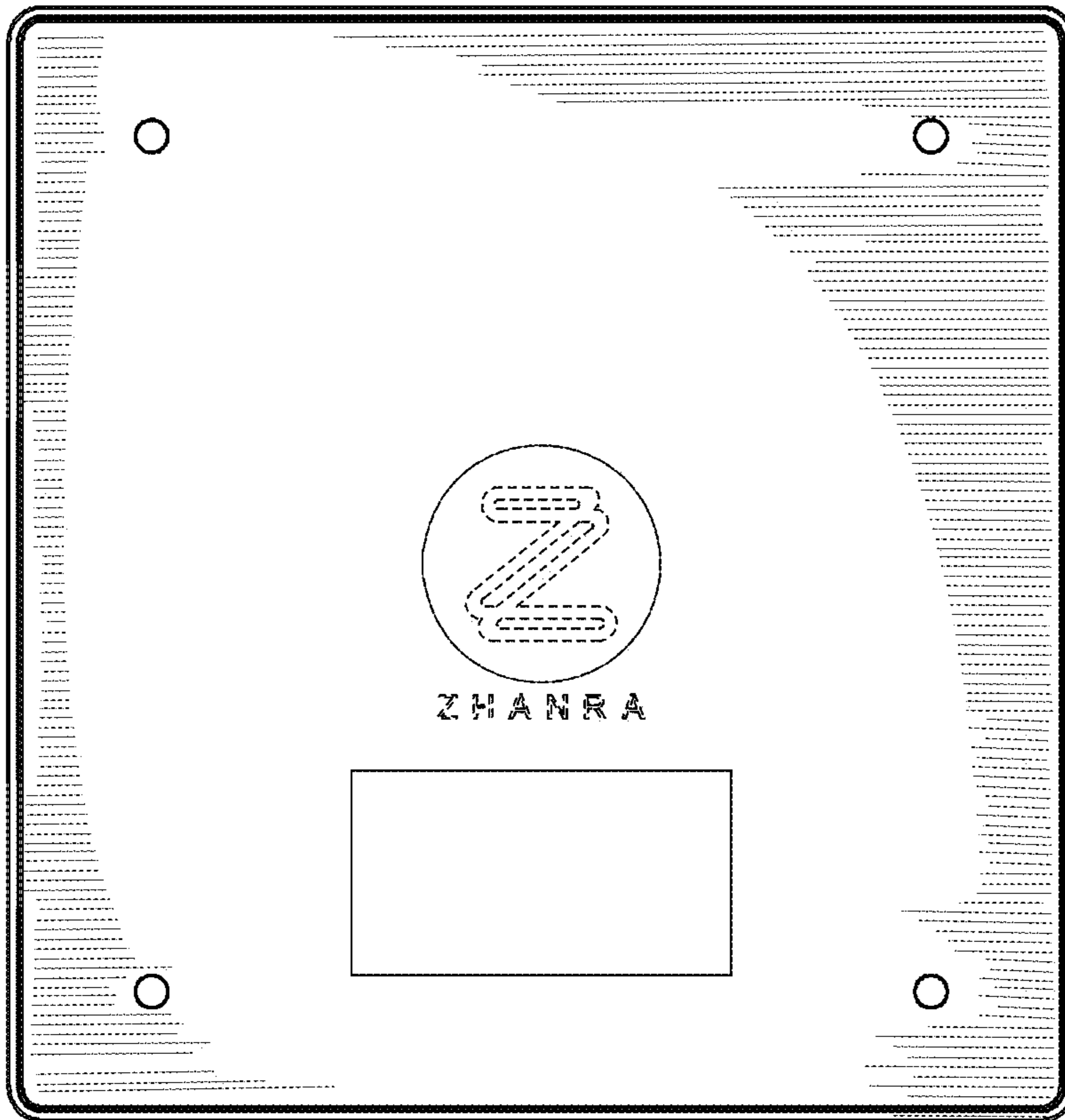


FIG. 15

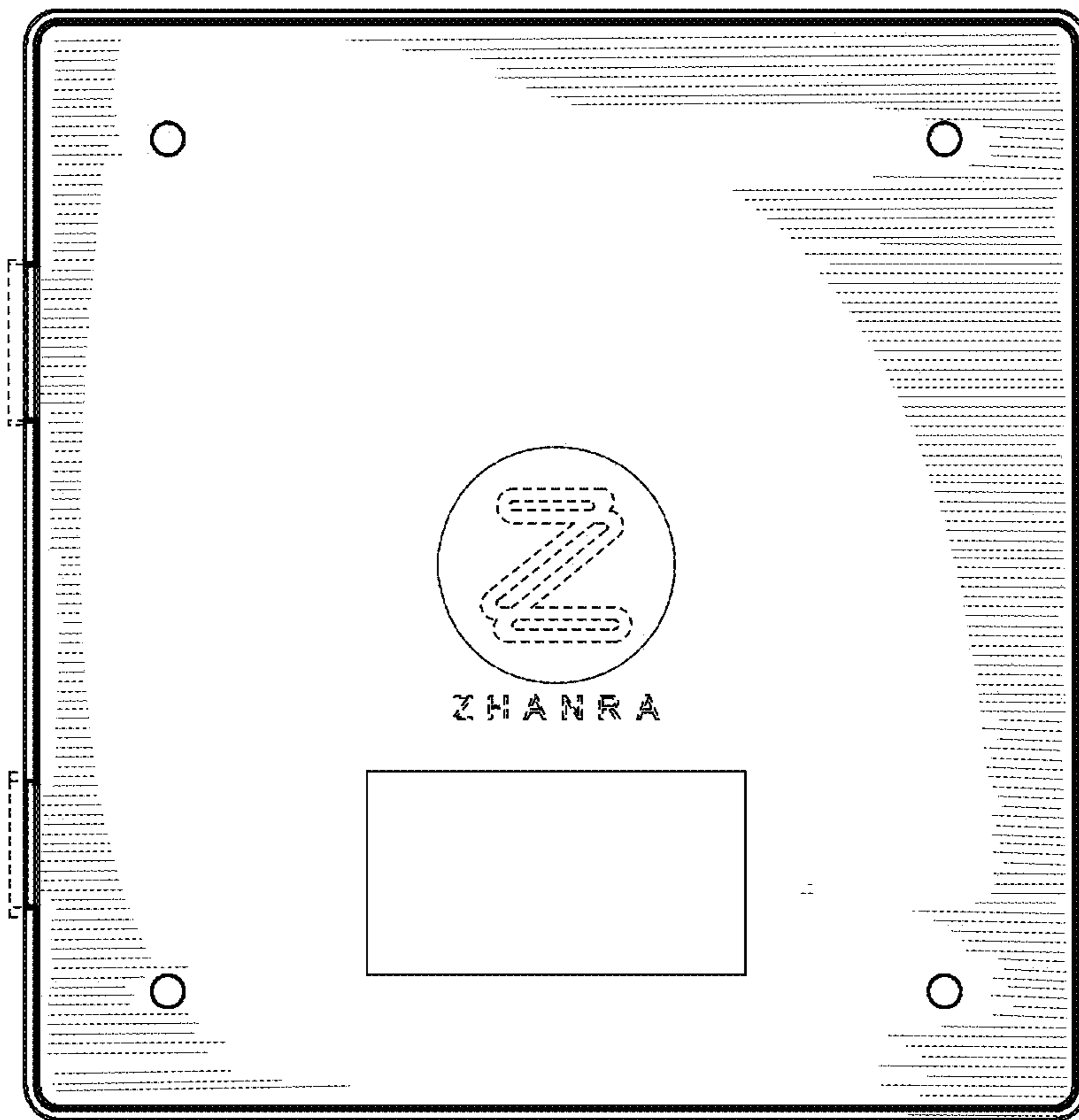


FIG. 16