



US00D761728S

(12) **United States Design Patent**
Cheng et al.

(10) **Patent No.:** **US D761,728 S**
(45) **Date of Patent:** **** Jul. 19, 2016**

(54) **VEHICLE CHARGING DEVICE**

(56) **References Cited**

(71) Applicant: **HON HAI PRECISION INDUSTRY CO., LTD.**, New Taipei (TW)

U.S. PATENT DOCUMENTS

(72) Inventors: **Chia-Chieh Cheng**, New Taipei (TW);
Chia-Yen Lee, New Taipei (TW)

D731,420 S *	6/2015	Croft	D13/108
D743,891 S *	11/2015	Shaw	D13/133
2007/0279000 A1 *	12/2007	Lucero	B25F 5/00
			320/112
2016/0036262 A1 *	2/2016	Cheng	H02J 7/025
			320/108

(73) Assignee: **HON HAI PRECISION INDUSTRY CO., LTD.**, New Taipei (TW)

* cited by examiner

(**) Term: **14 Years**

Primary Examiner — Rosemary K Tarcza

(21) Appl. No.: **29/513,189**

Assistant Examiner — Christy Nemeth

(22) Filed: **Dec. 29, 2014**

(74) *Attorney, Agent, or Firm* — ScienBiziP, P.C.

(30) **Foreign Application Priority Data**

(57) **CLAIM**

Jul. 30, 2014 (TW) 103304446

The ornamental design for a vehicle charging device, as shown and described.

(51) **LOC (10) Cl.** **13-02**

(52) **U.S. Cl.**
USPC **D13/107**

DESCRIPTION

(58) **Field of Classification Search**

USPC D13/107–110, 118, 119, 133, 144, 184;
D14/251, 253, 432, 434; 320/107–115

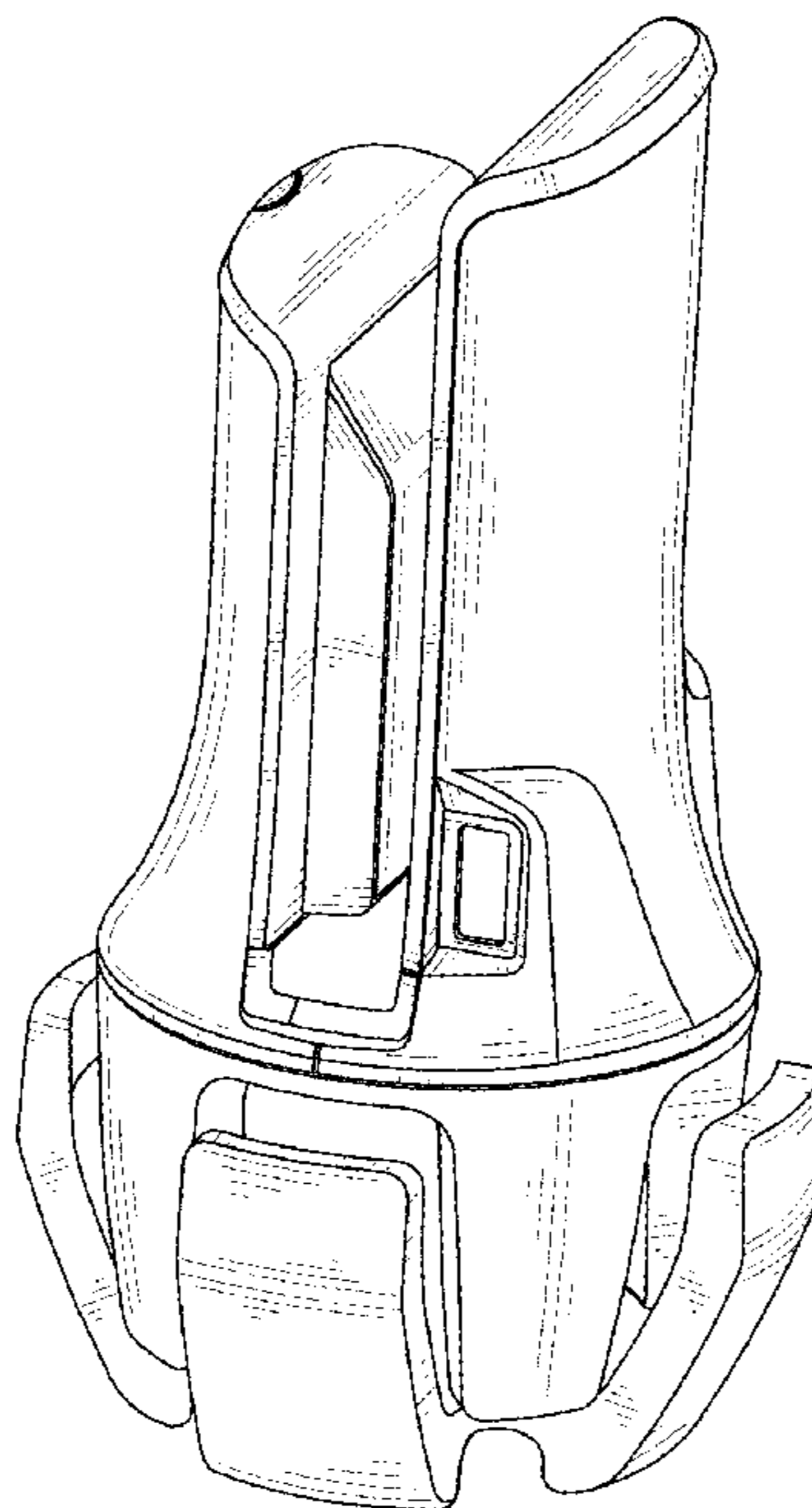
CPC Y02E 60/12; Y02T 90/14; Y02T 90/122;
Y02T 90/128; Y02T 90/163; H02J 7/025;
H02J 7/042; H02J 7/044; H02J 7/0003;
H02J 7/0027; H02J 7/0013; H02J 7/0054;
H02J 7/00; H02J 2001/008; H02J 3/32;
H02J 3/008; H01F 38/14; H01R 13/6675;
H01M 2/1022; H01M 2/1055; H01M 10/44;
H01M 10/46; H01M 10/425; B60L 11/182;
B60L 11/1809; B60L 11/1861; B60R 16/03

FIG. 1 is a perspective view of a vehicle charging device showing our new design;
FIG. 2 is a front elevational view thereof;
FIG. 3 is a rear elevational view thereof;
FIG. 4 is a left-side elevational view thereof;
FIG. 5 is a right-side elevational view thereof;
FIG. 6 is a top plan view thereof; and,
FIG. 7 is a bottom plan view thereof.

The broken lines in the drawings are employed to show unclaimed portions of the vehicle charging device, and form no part of the claimed design.

See application file for complete search history.

1 Claim, 7 Drawing Sheets



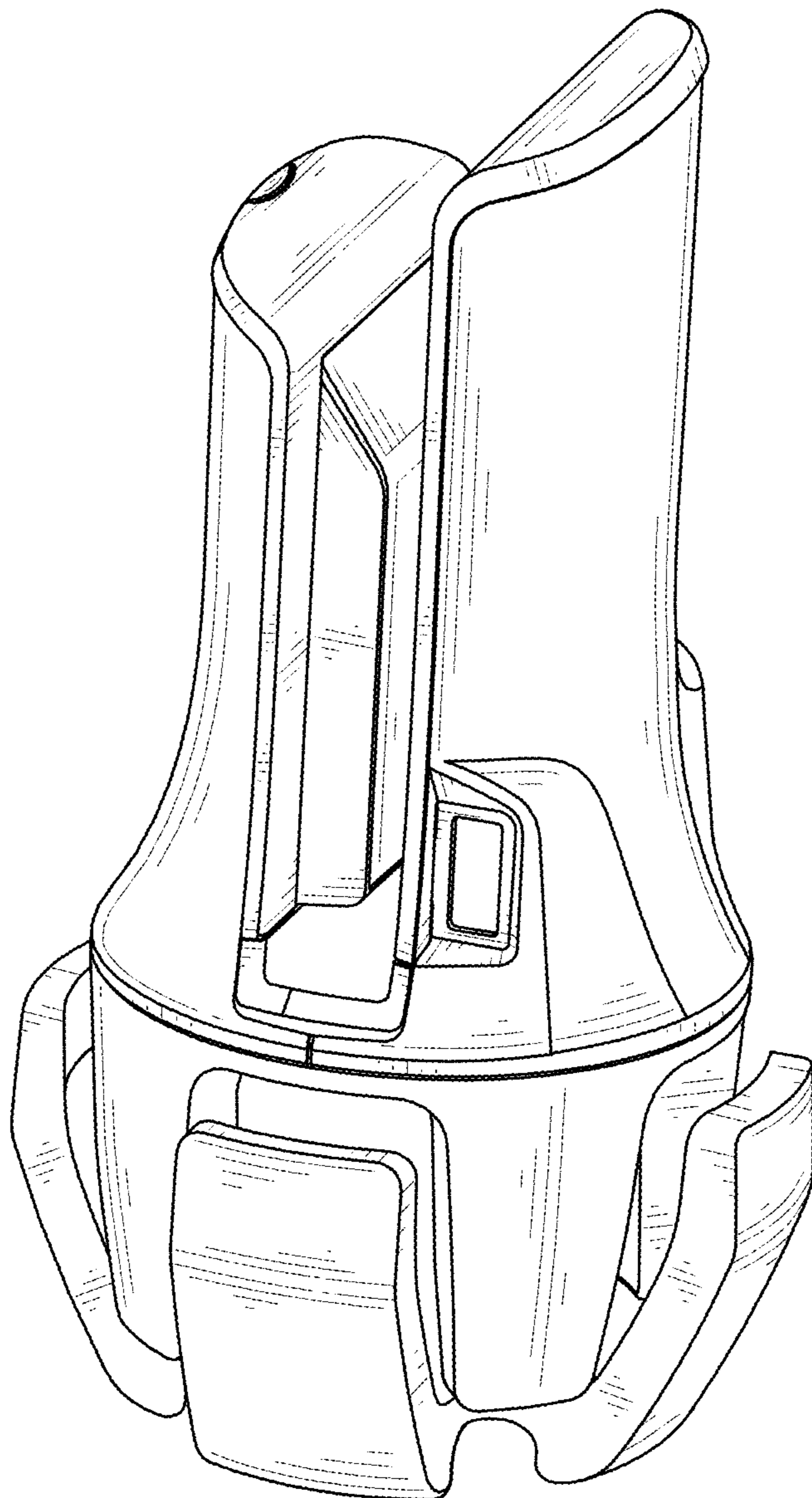


FIG. 1

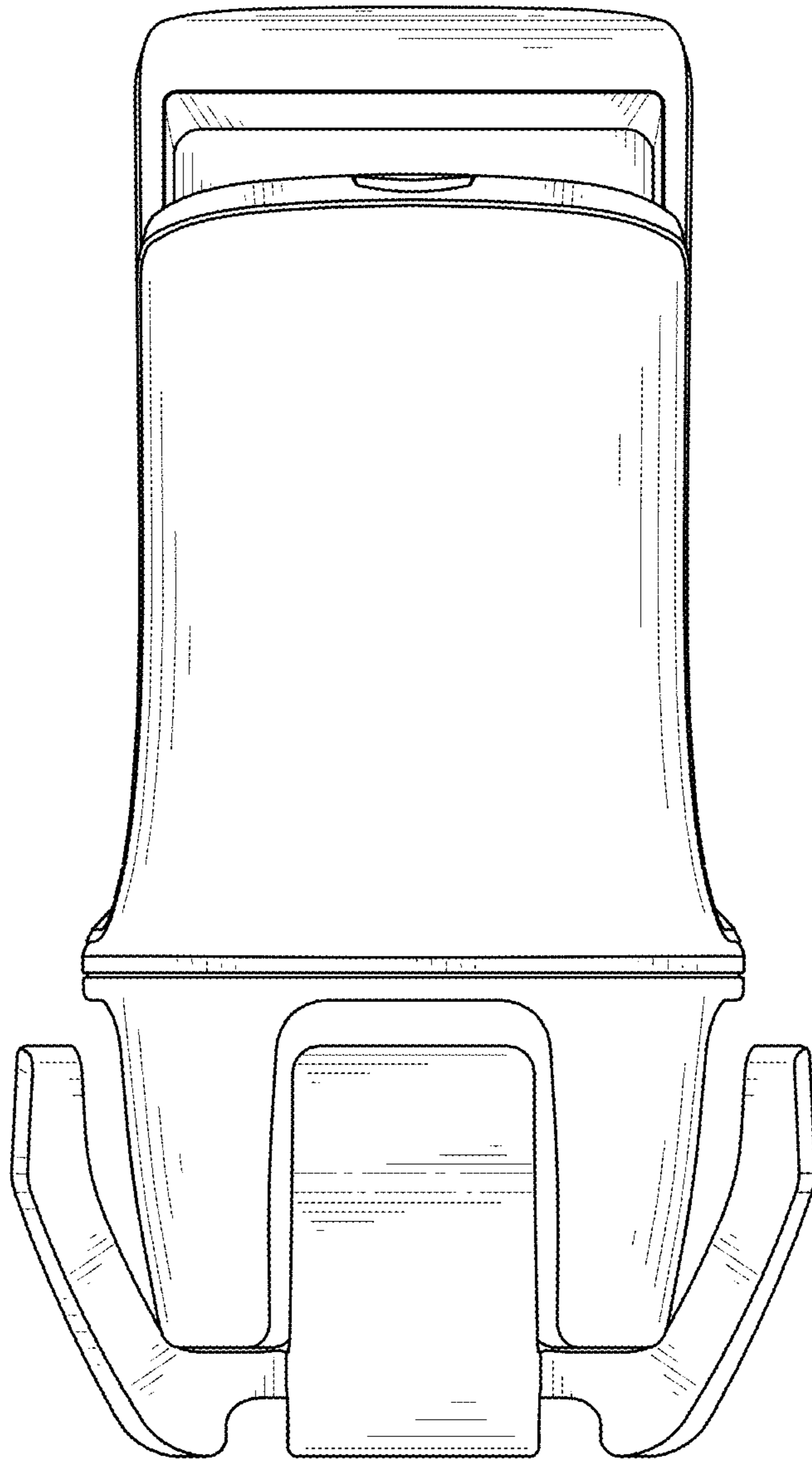


FIG. 2

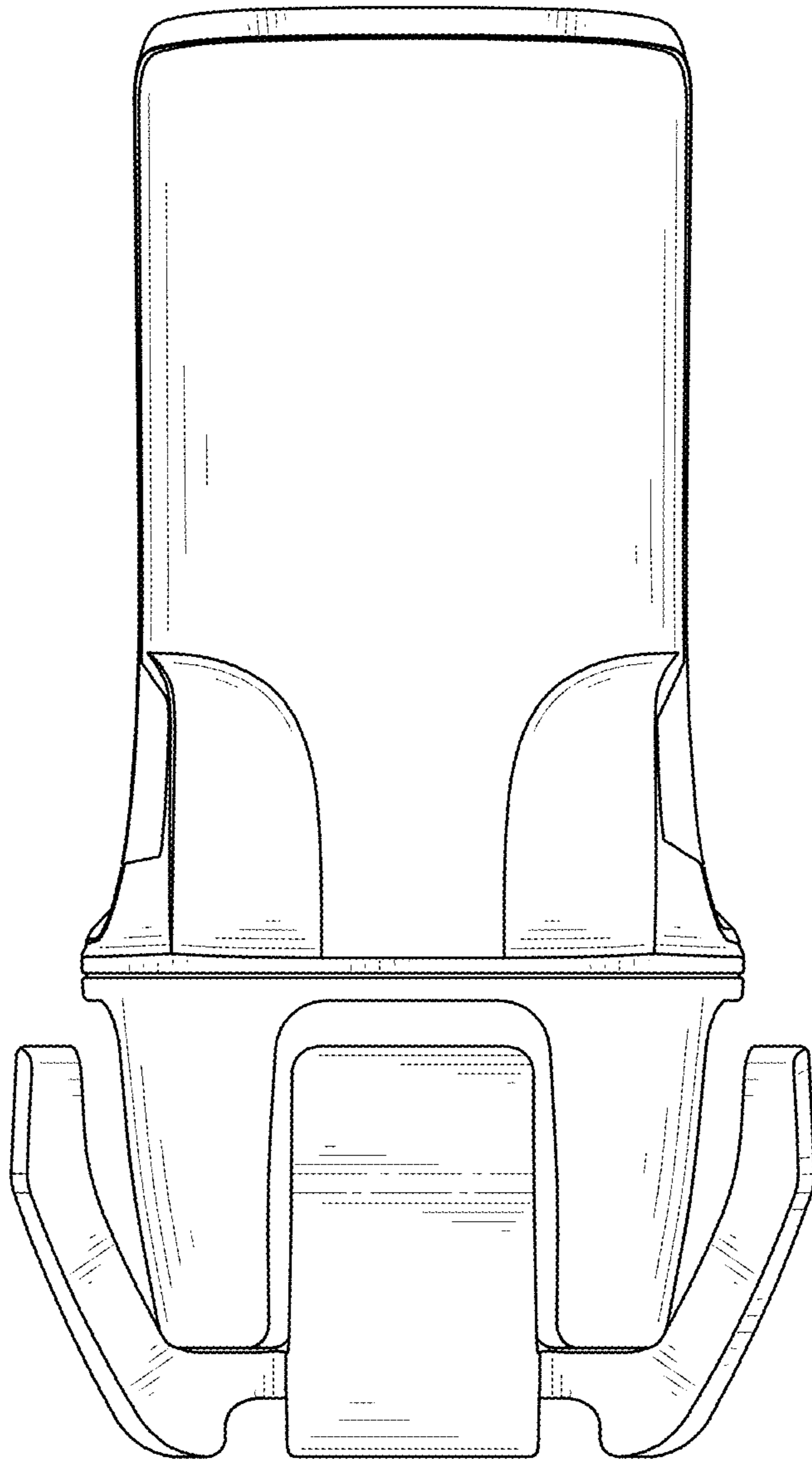


FIG. 3

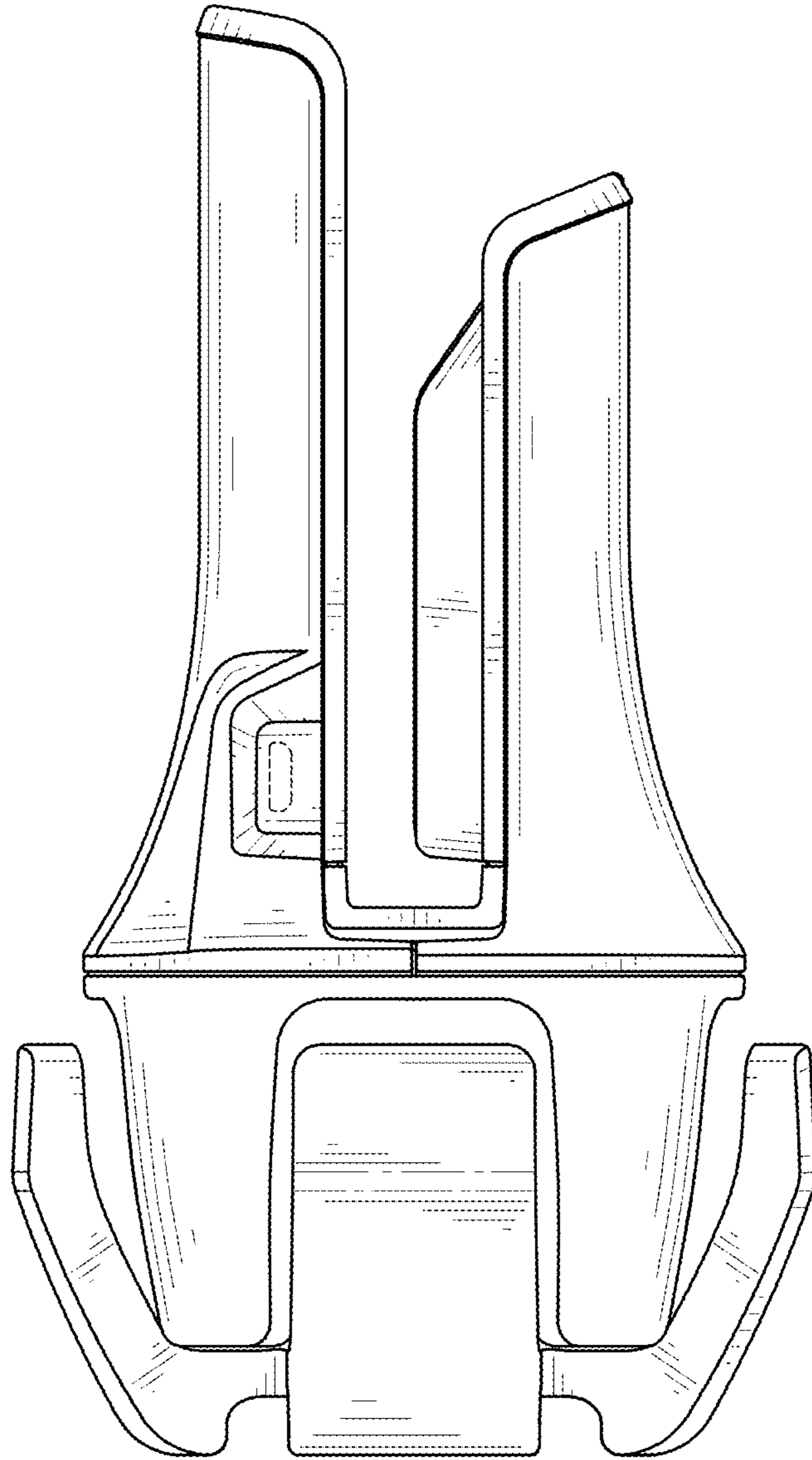


FIG. 4

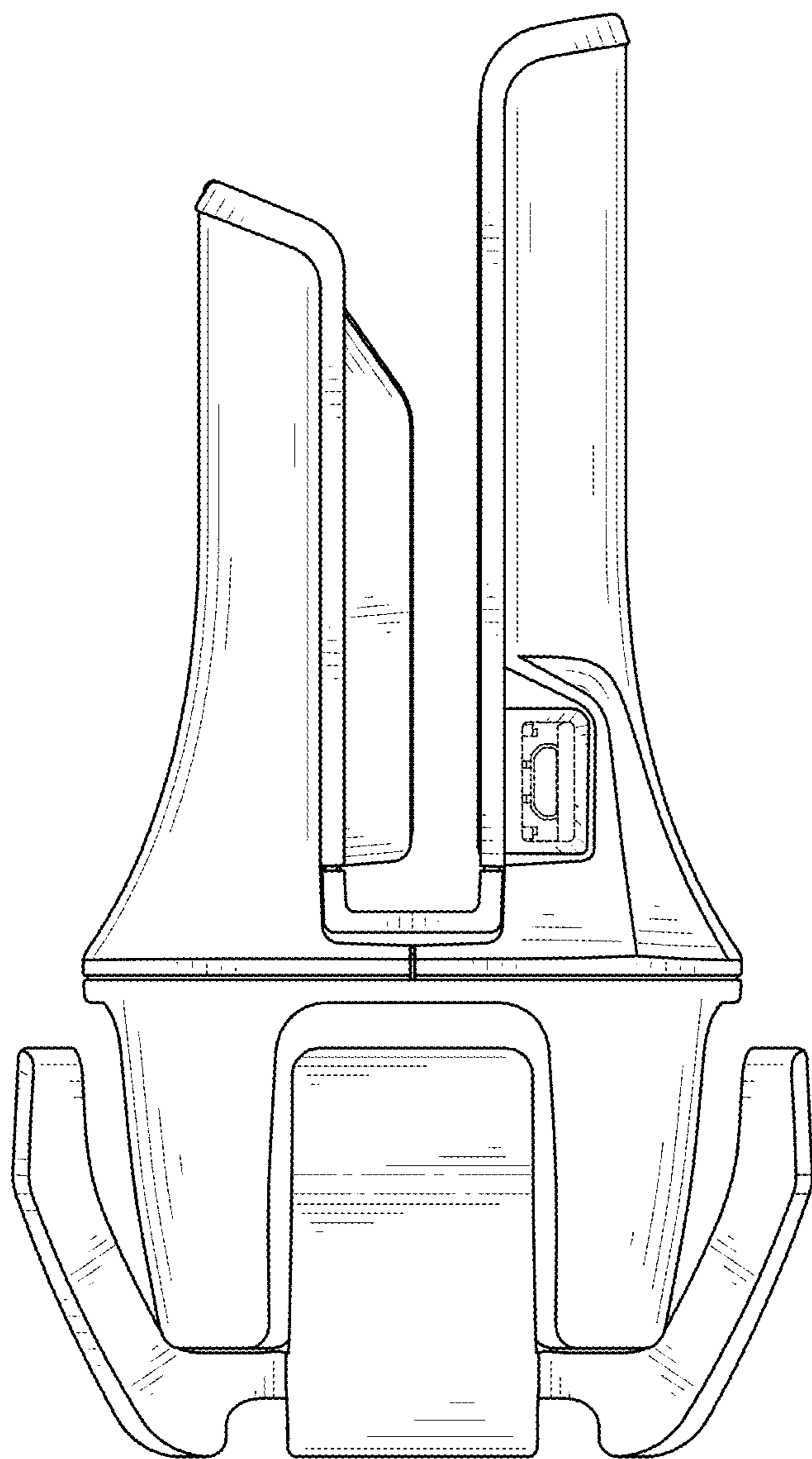


FIG. 5

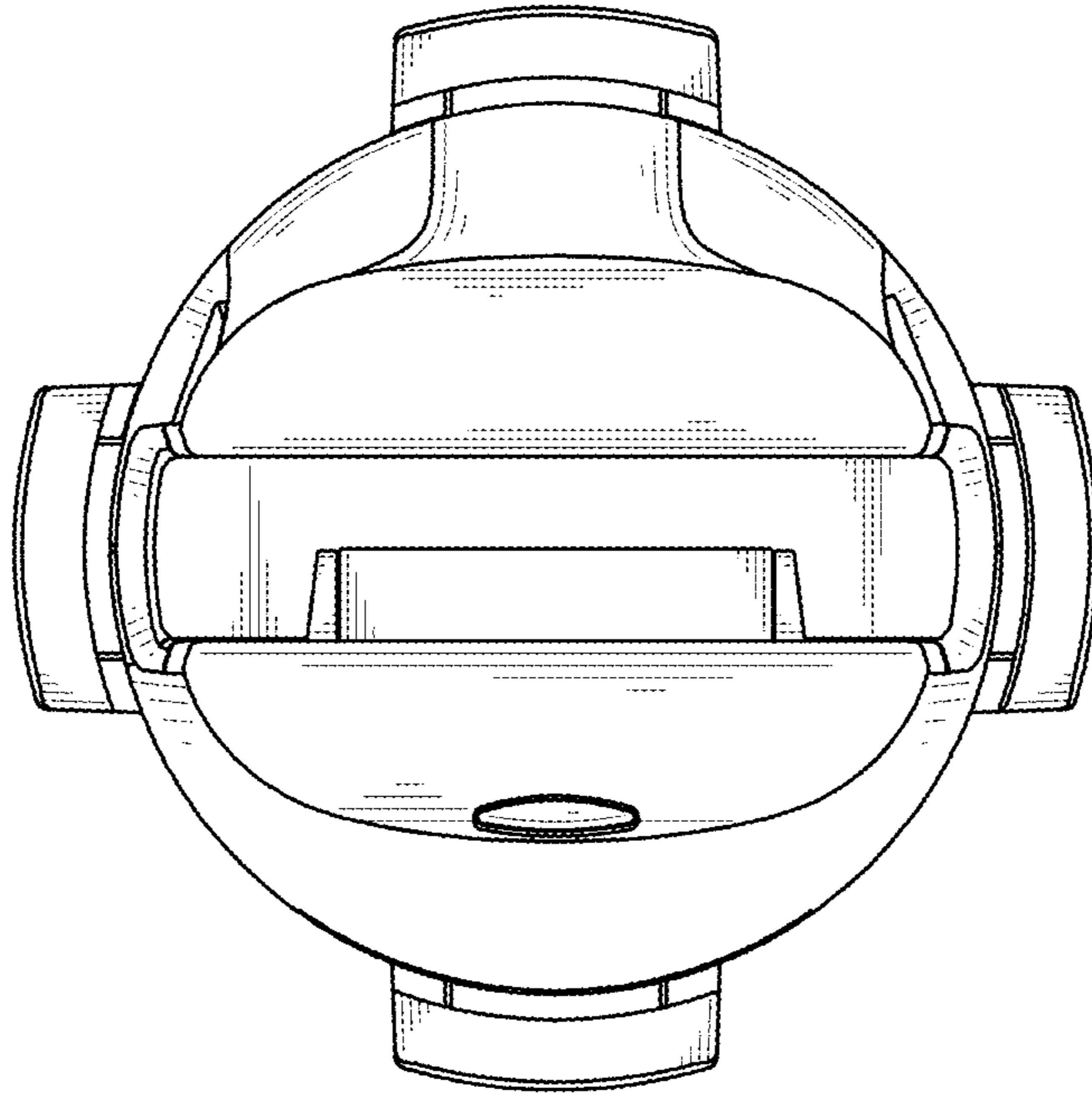


FIG. 6

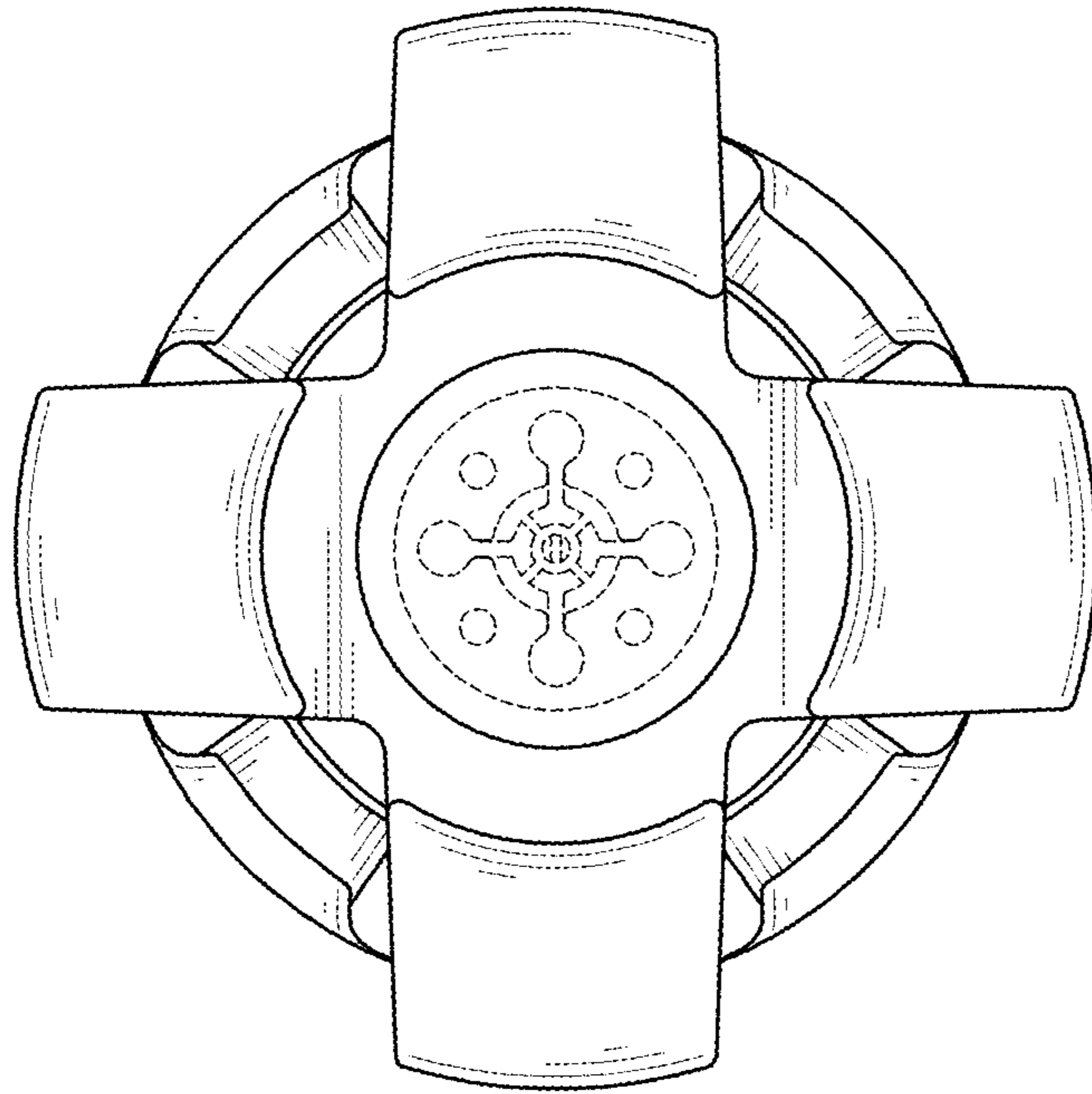


FIG. 7