



US00D761727S

(12) **United States Design Patent**
Arends et al.

(10) **Patent No.:** **US D761,727 S**
(45) **Date of Patent:** **** Jul. 19, 2016**

(54) **BATTERY CHARGER**

(71) Applicant: **Horizon Hobby, Inc.**, Champaign, IL
(US)

(72) Inventors: **Gregory Arends**, Mahomet, IL (US);
Mark Reed, Champaign, IL (US)

(73) Assignee: **Horizon Hobby, LLC**, Champaign, IL
(US)

(**) Term: **14 Years**

(21) Appl. No.: **29/476,004**

(22) Filed: **Dec. 10, 2013**

(51) **LOC (10) Cl.** **13-02**

(52) **U.S. Cl.**
USPC **D13/107**

(58) **Field of Classification Search**
USPC D13/102–106, 110, 118–119, 184,
D13/107–108; D14/96–100, 163, 176;
320/107–115; 429/96–100, 163, 176
CPC Y02E 60/12; Y02E 60/122; Y02E 60/124;
Y02E 60/50; H01M 2/02; H01M 2/022;
H01M 2/0202; H01M 2/0207; H01M 2/0212;
H01M 2/1061; H01M 2/1022; H01M 2/1055;
H01M 2/1066; H01M 2/105; H01M 2/204;
H01M 10/4257; H01M 10/0436; H01M 10/48;
H01M 10/44; H01M 10/46; H01M 10/465;
H01M 10/482; H01M 2200/30; H01M
2250/30; H01M 2250/40; H02J 7/00; H02J
7/0003; H02J 7/0011; H02J 7/0013; H02J
7/0054; H02J 7/0055; H02J 7/0057; H02J
2007/0062

See application file for complete search history.

(56) **References Cited**

U.S. PATENT DOCUMENTS

D177,699 S * 5/1956 Schultz et al. D10/103
D225,581 S * 12/1972 Danti et al. D13/110
5,375,226 A * 12/1994 Sano G06F 1/1626
345/169

D367,052 S * 2/1996 Ito D14/162
D411,530 S * 6/1999 Carter D14/217
D427,145 S * 6/2000 Singh D13/107
D505,913 S * 6/2005 Kam Lun D13/107
D513,731 S * 1/2006 Kang D13/107
D540,742 S * 4/2007 Bell D13/107

(Continued)

OTHER PUBLICATIONS

Prophet Sport LiPo 35W, [online], [site visited Mar. 8, 2015]. Avail-
able from Internet, <URL: <http://www.horizonhobby.com/prophet-sport-lipo-35w-ac-charger-dync2005ca>>.*

Primary Examiner — Rosemary K Tarca

Assistant Examiner — Sanjeev Paul

(74) *Attorney, Agent, or Firm* — Barnes & Thornburg LLP

(57) **CLAIM**

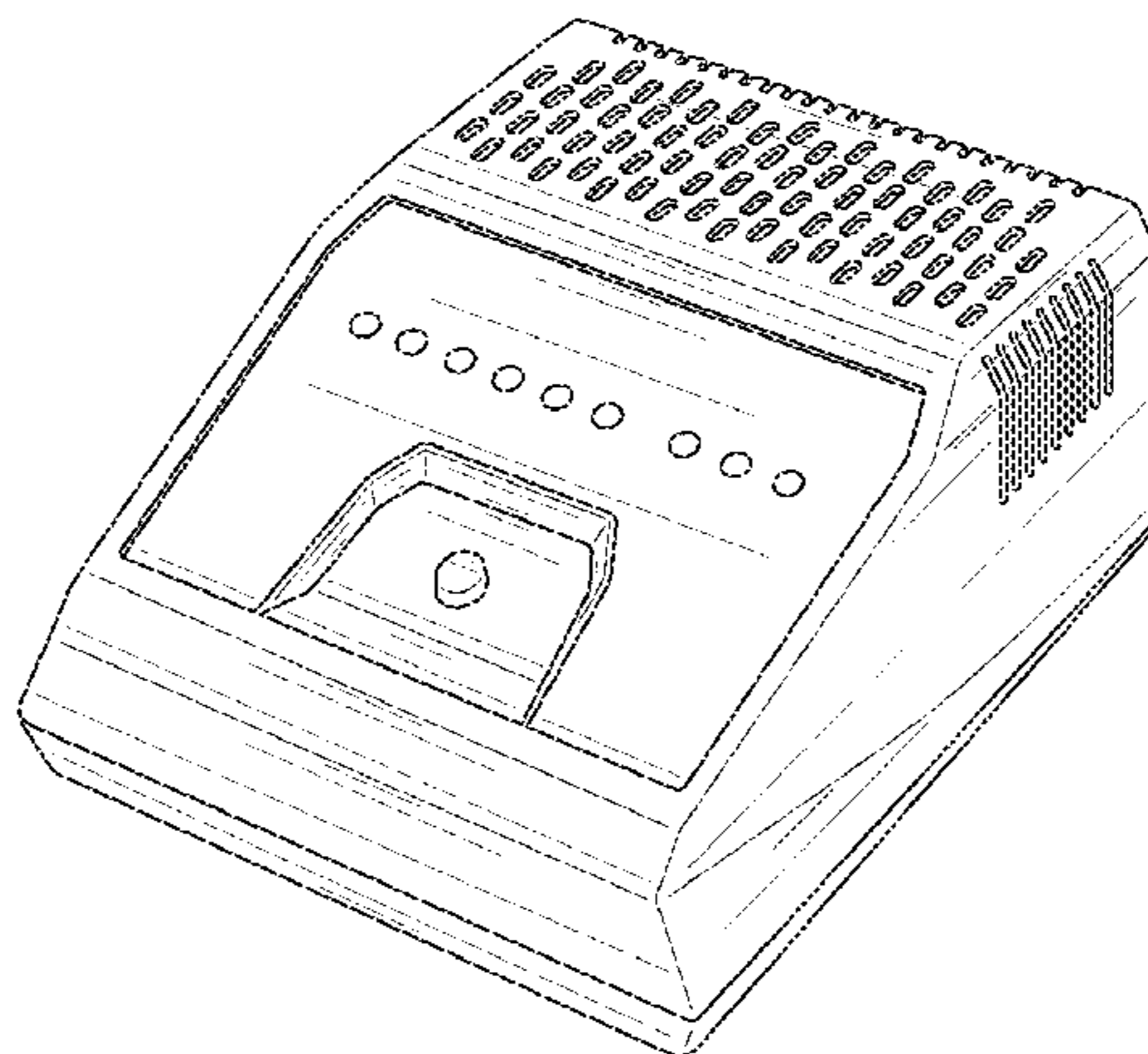
The ornamental design for a battery charger, as shown and
described.

DESCRIPTION

FIG. 1 is a perspective view of a battery charger;
FIG. 2 is a front view thereof;
FIG. 3 is a rear view thereof;
FIG. 4 is a left side view thereof;
FIG. 5 is a right side view thereof;
FIG. 6 is a top view thereof;
FIG. 7 is a bottom view thereof;
FIG. 8 is a perspective view of a battery charger, according to
an alternate embodiment;
FIG. 9 is a front view thereof;
FIG. 10 is a rear view thereof;
FIG. 11 is a left side view thereof;
FIG. 12 is a right side view thereof;
FIG. 13 is a top view; and,
FIG. 14 is a bottom view thereof.

The broken lines showing portions of the battery charger in
the drawings are included for the purpose of illustrating envi-
ronmental structure and form no part of the claimed design.

1 Claim, 14 Drawing Sheets



(56)

References Cited

U.S. PATENT DOCUMENTS

D548,695 S *	8/2007	Krieger	D13/110	D605,111 S *	12/2009	Schoch	D13/107
D554,579 S *	11/2007	Ogasawara	D13/103	D715,266 S *	10/2014	Olswang	D14/217
D555,591 S *	11/2007	Grimes	D13/110	D717,278 S *	11/2014	Amiya	D14/217
D562,231 S *	2/2008	Osiecki	D13/107	D734,258 S *	7/2015	Yin	D13/107
				D744,944 S *	12/2015	Bates	D13/107
				D744,945 S *	12/2015	Bates	D13/107
				D750,598 S *	3/2016	Alexander	D14/217

* cited by examiner

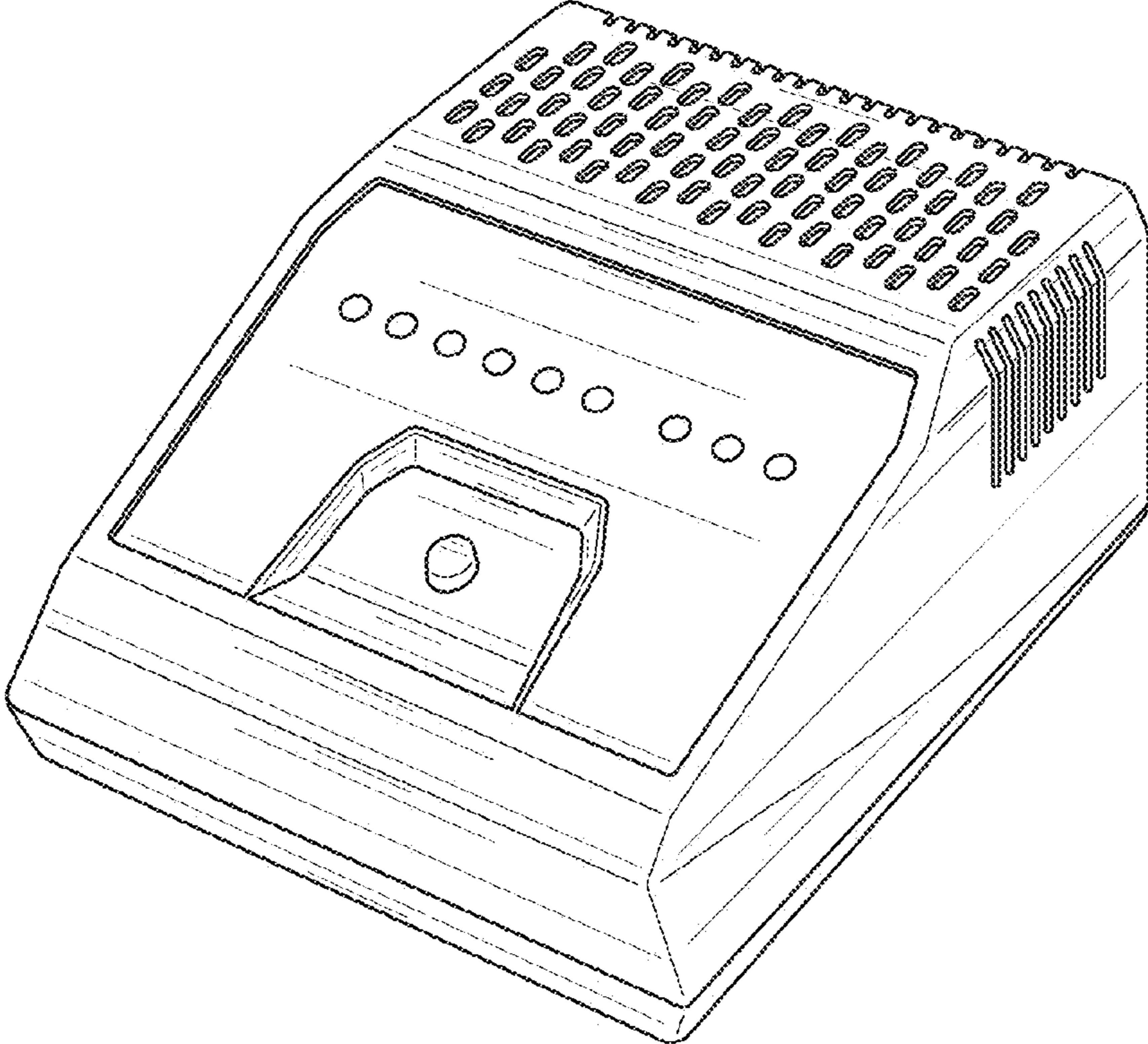


FIG. 1

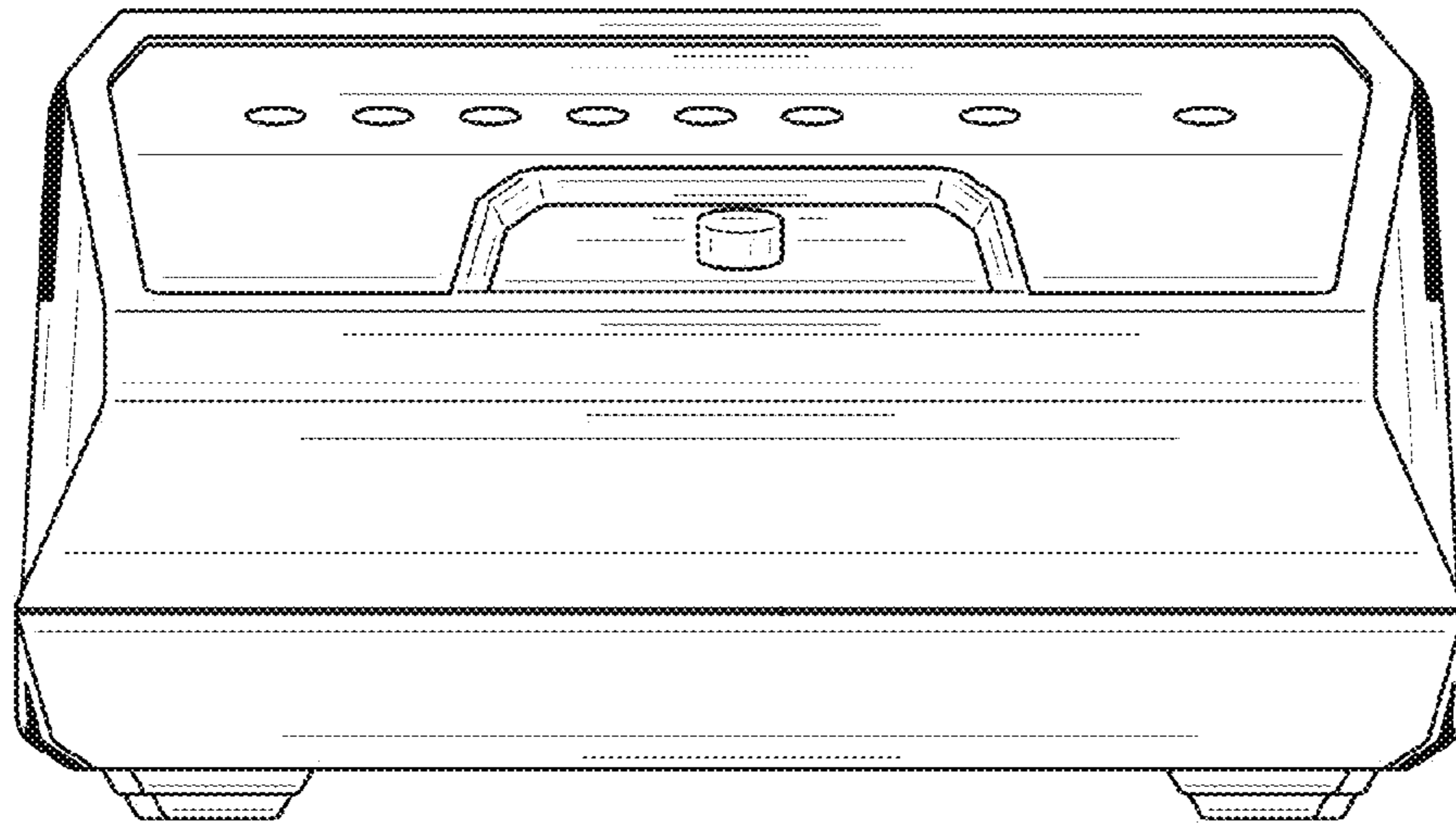


FIG. 2

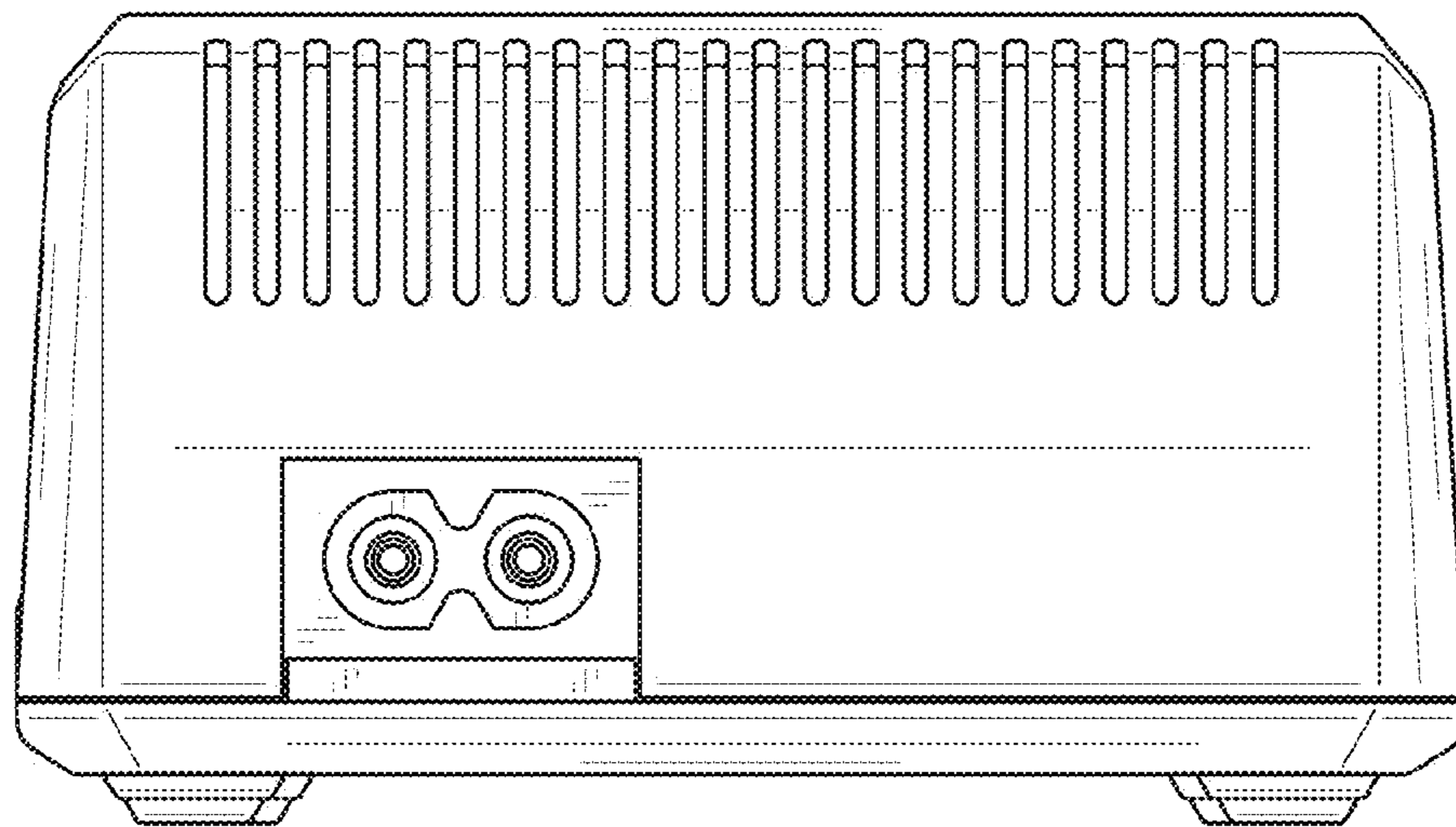


FIG. 3

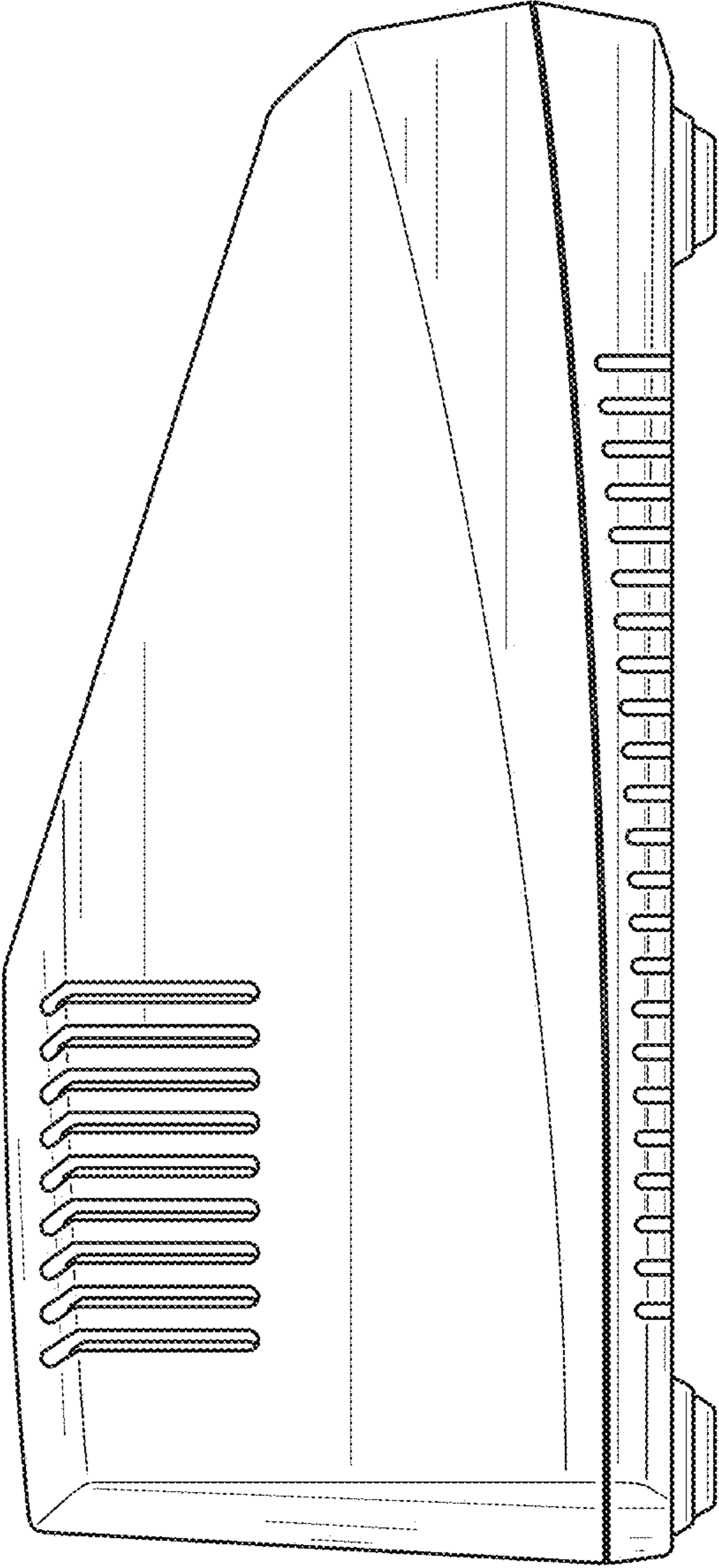


FIG. 4

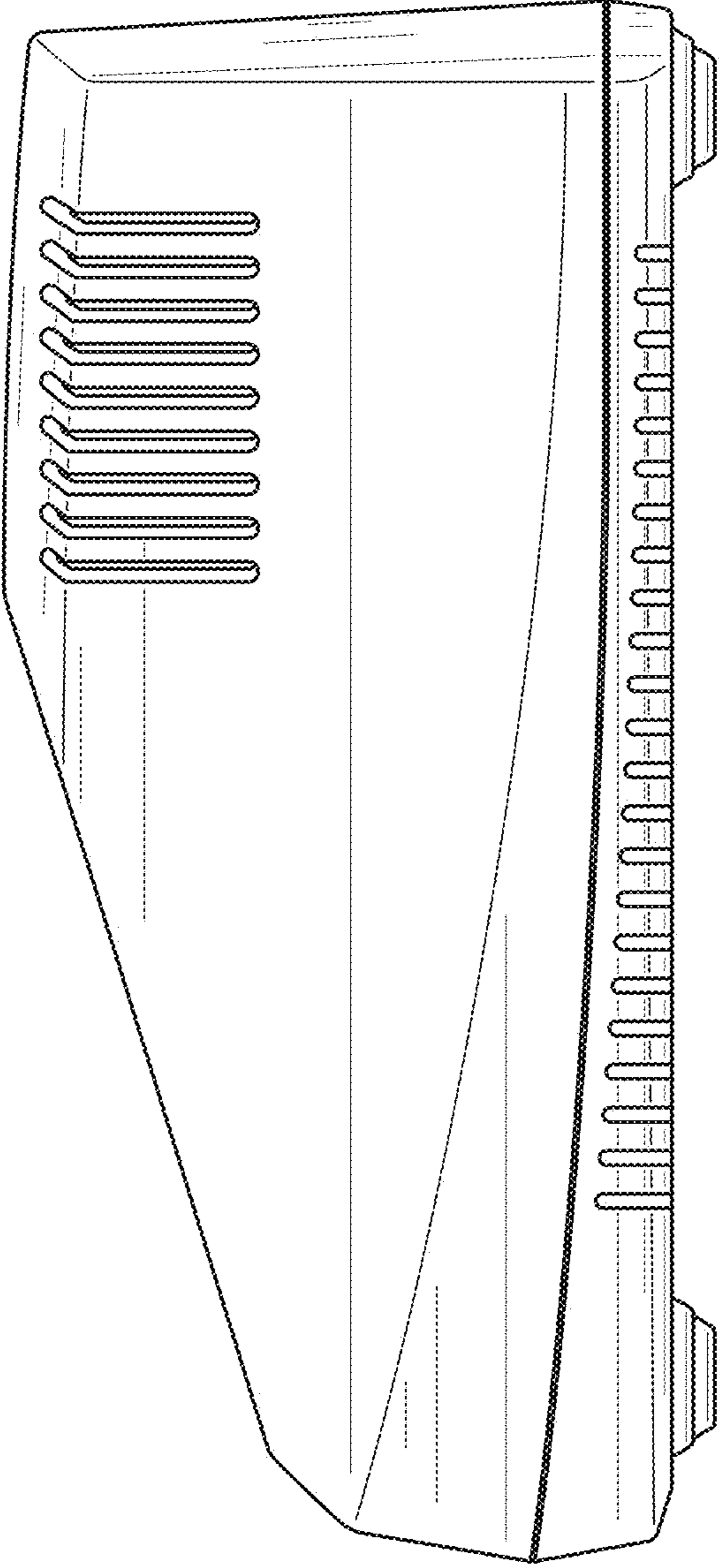


FIG. 5

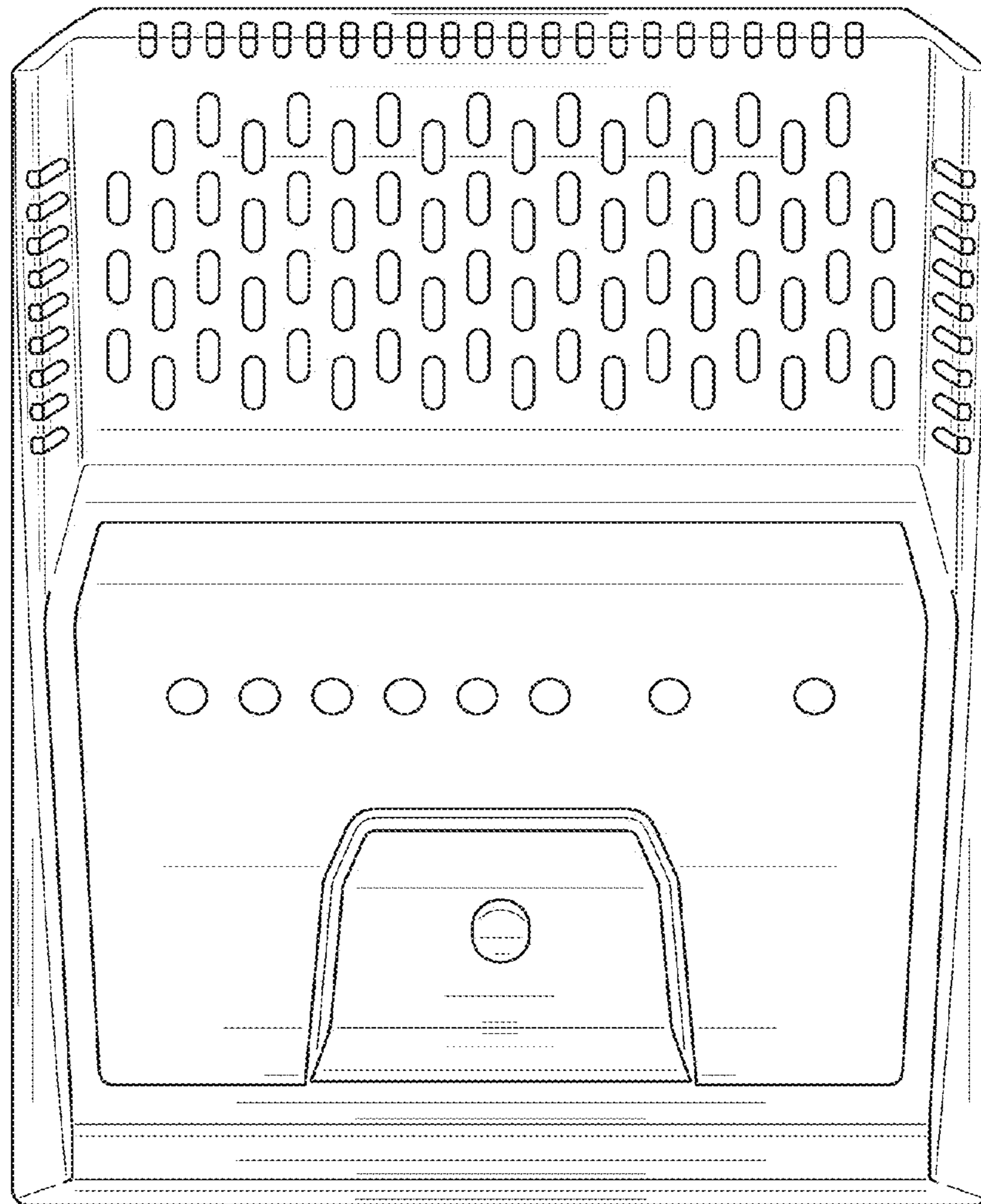


FIG. 6

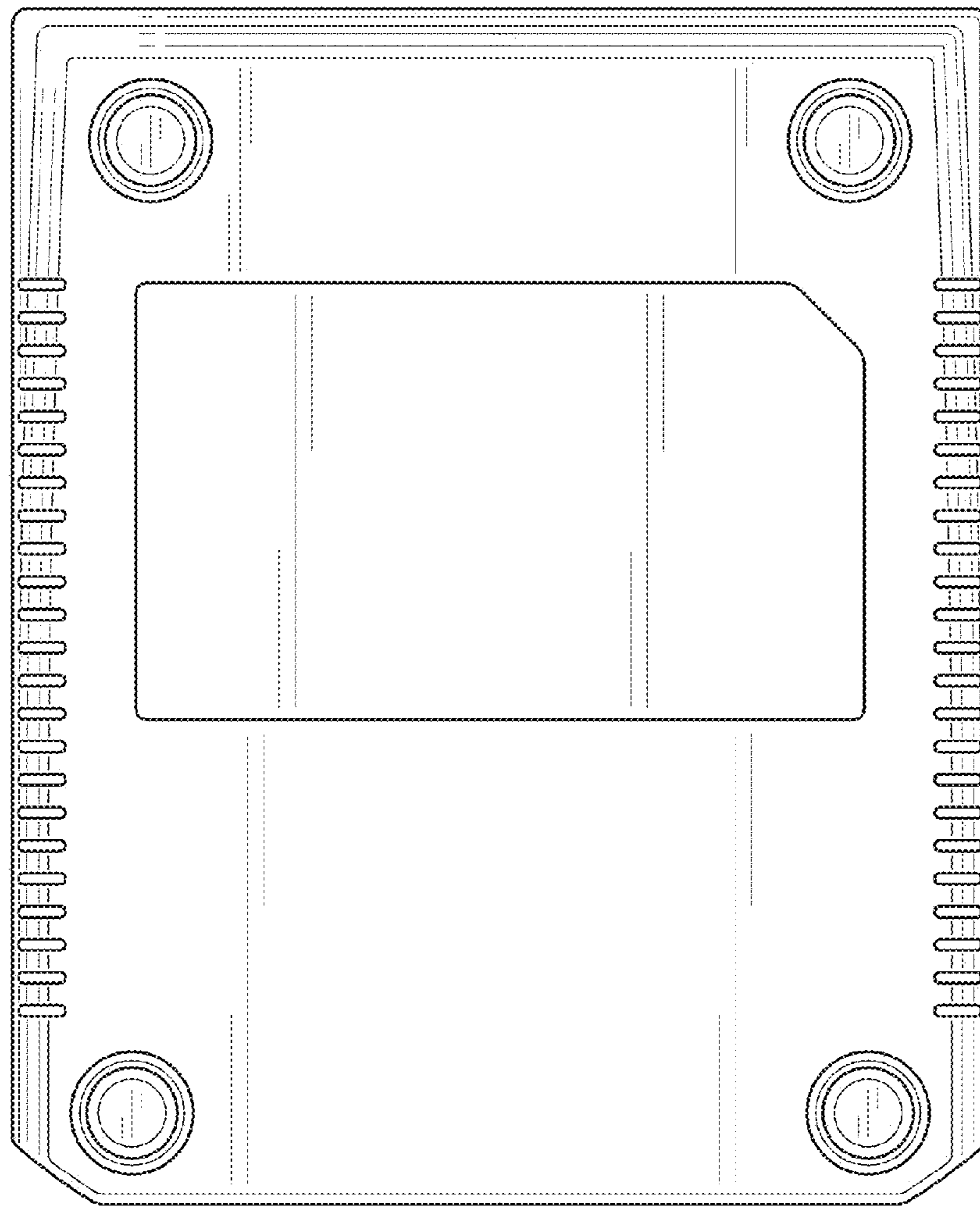


FIG. 7

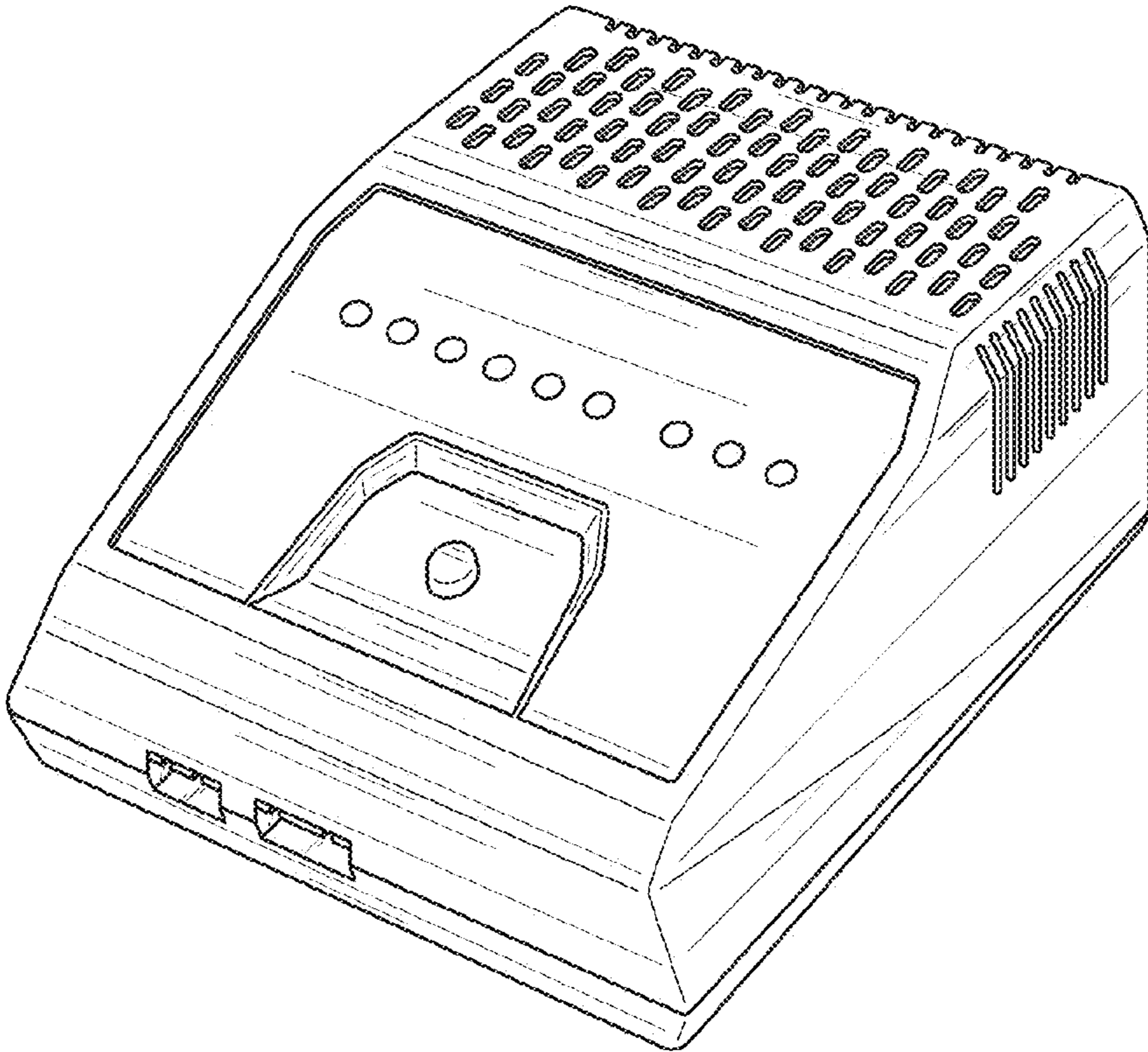


FIG.8

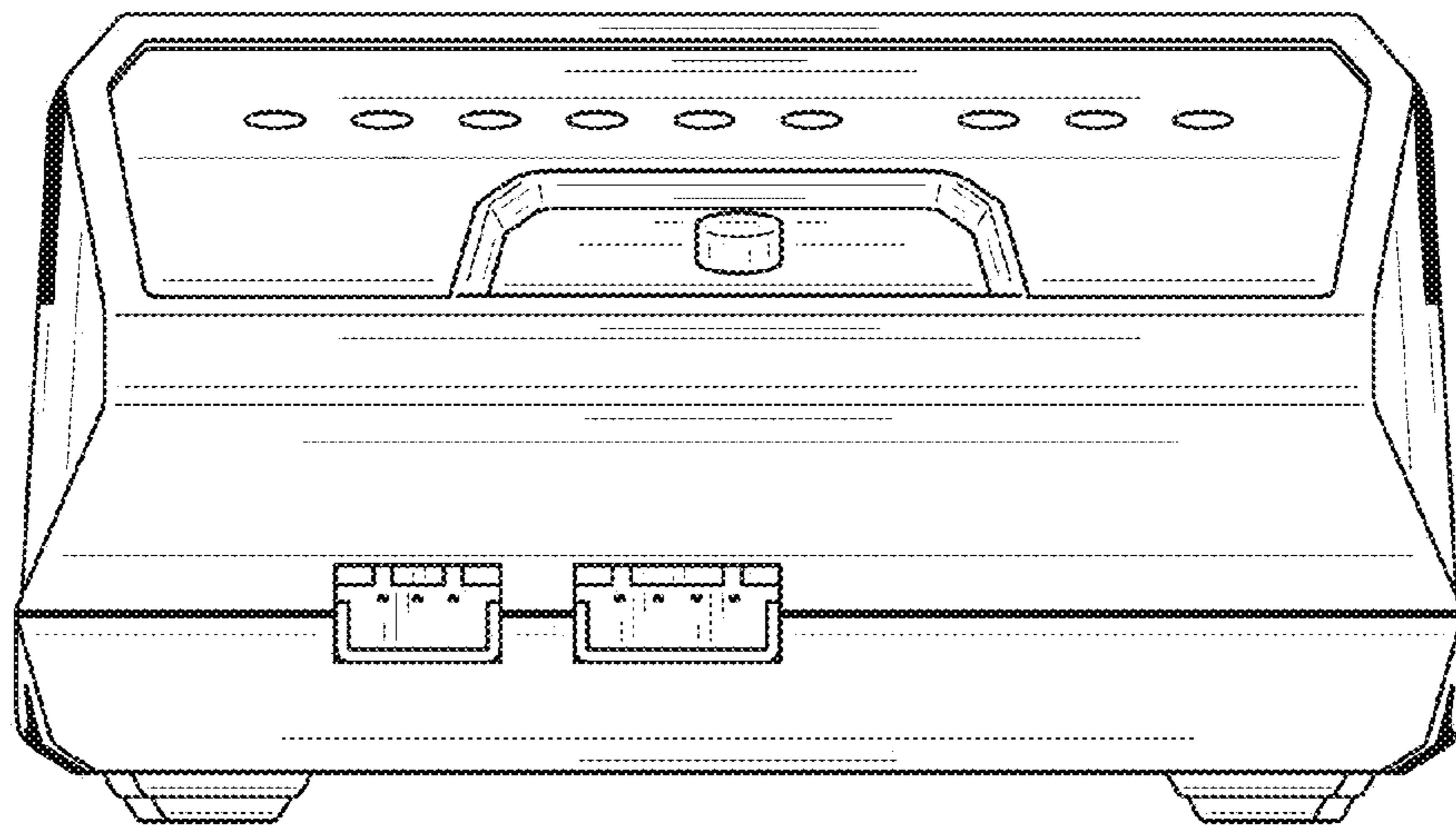


FIG.9

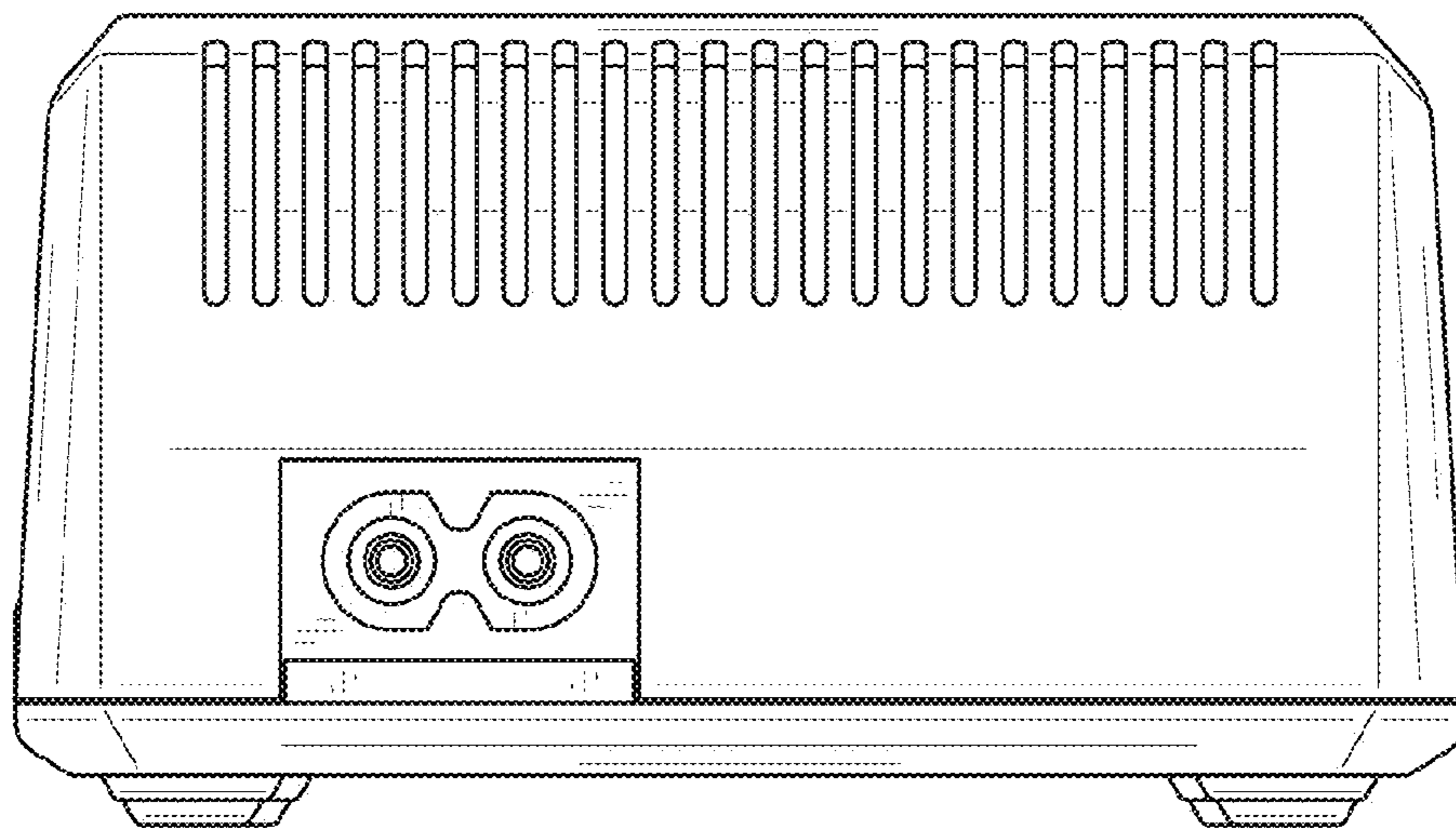


FIG.10

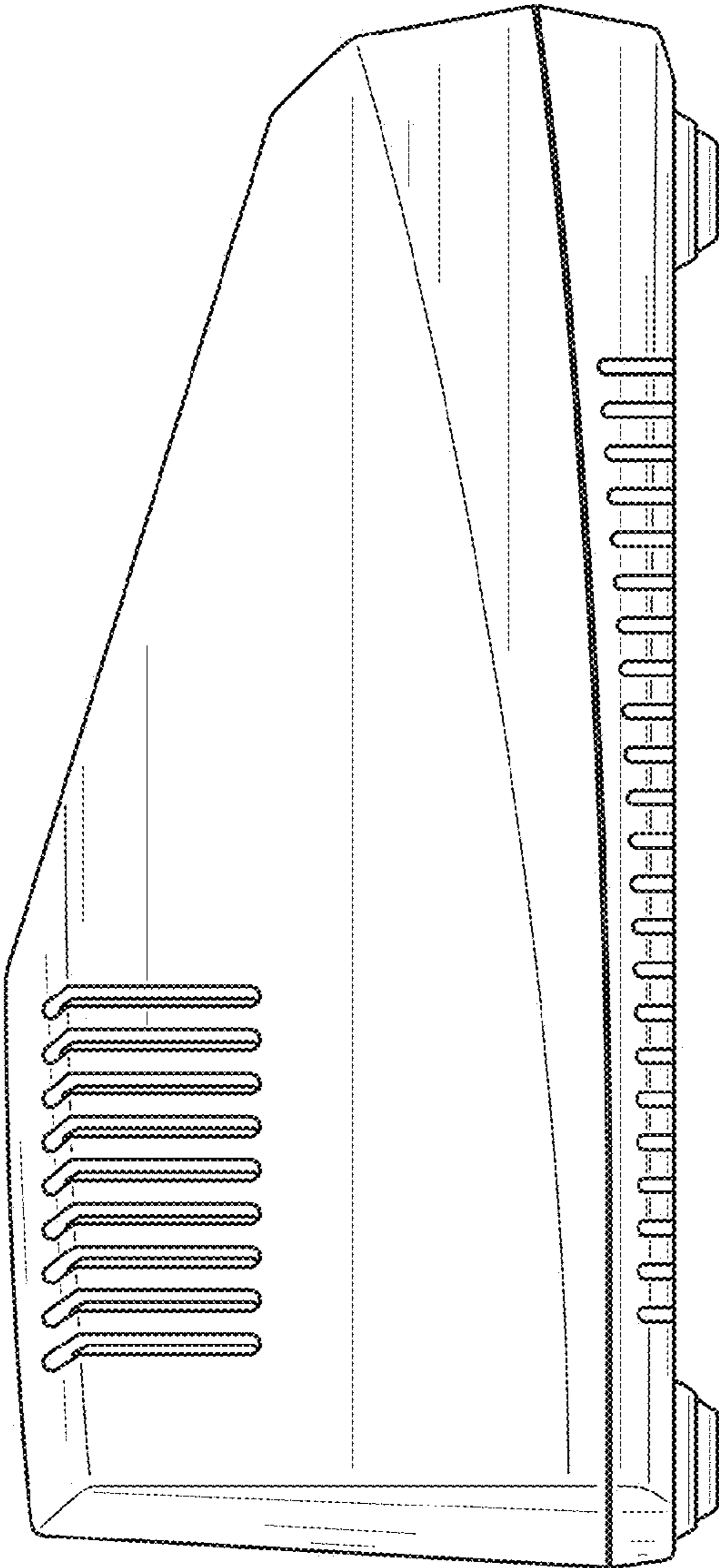


FIG. 11

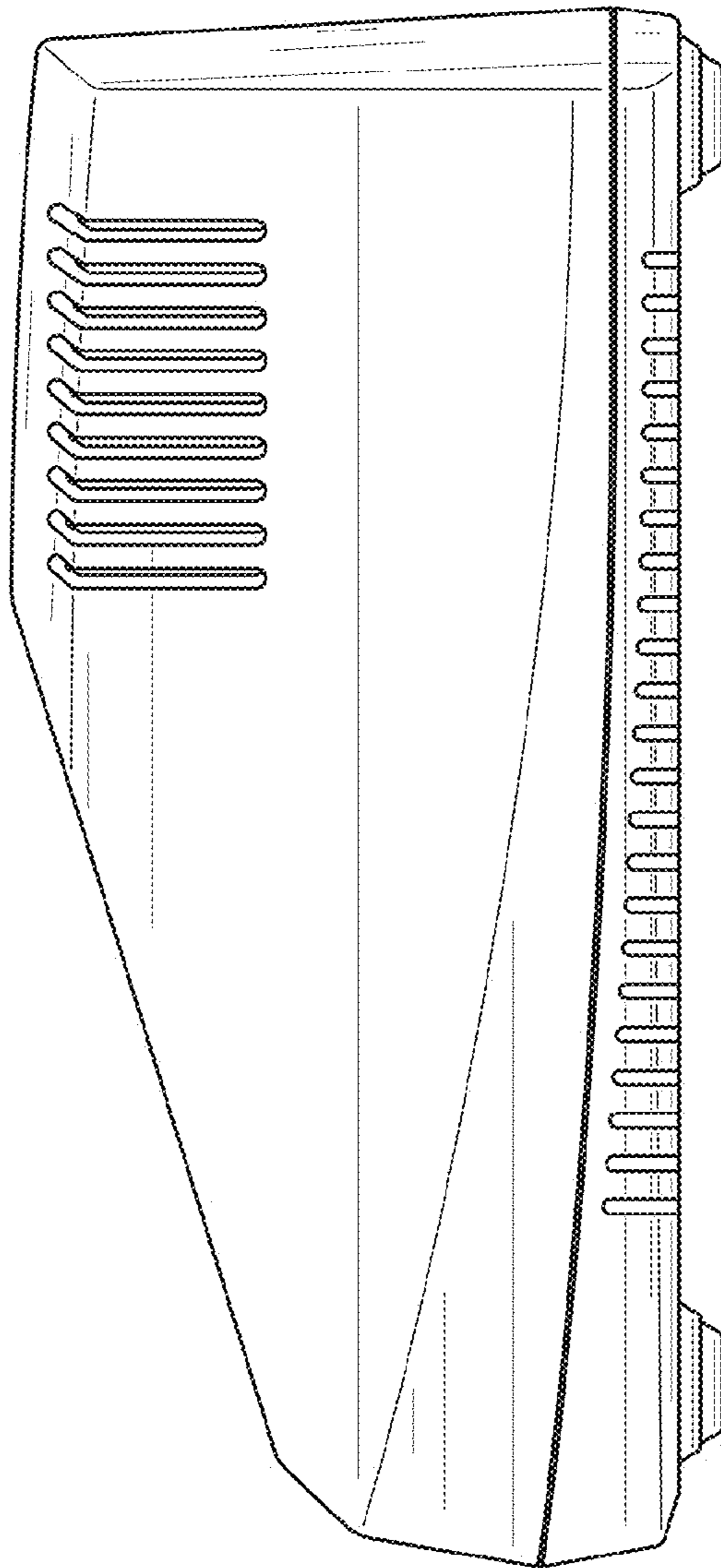


FIG. 12

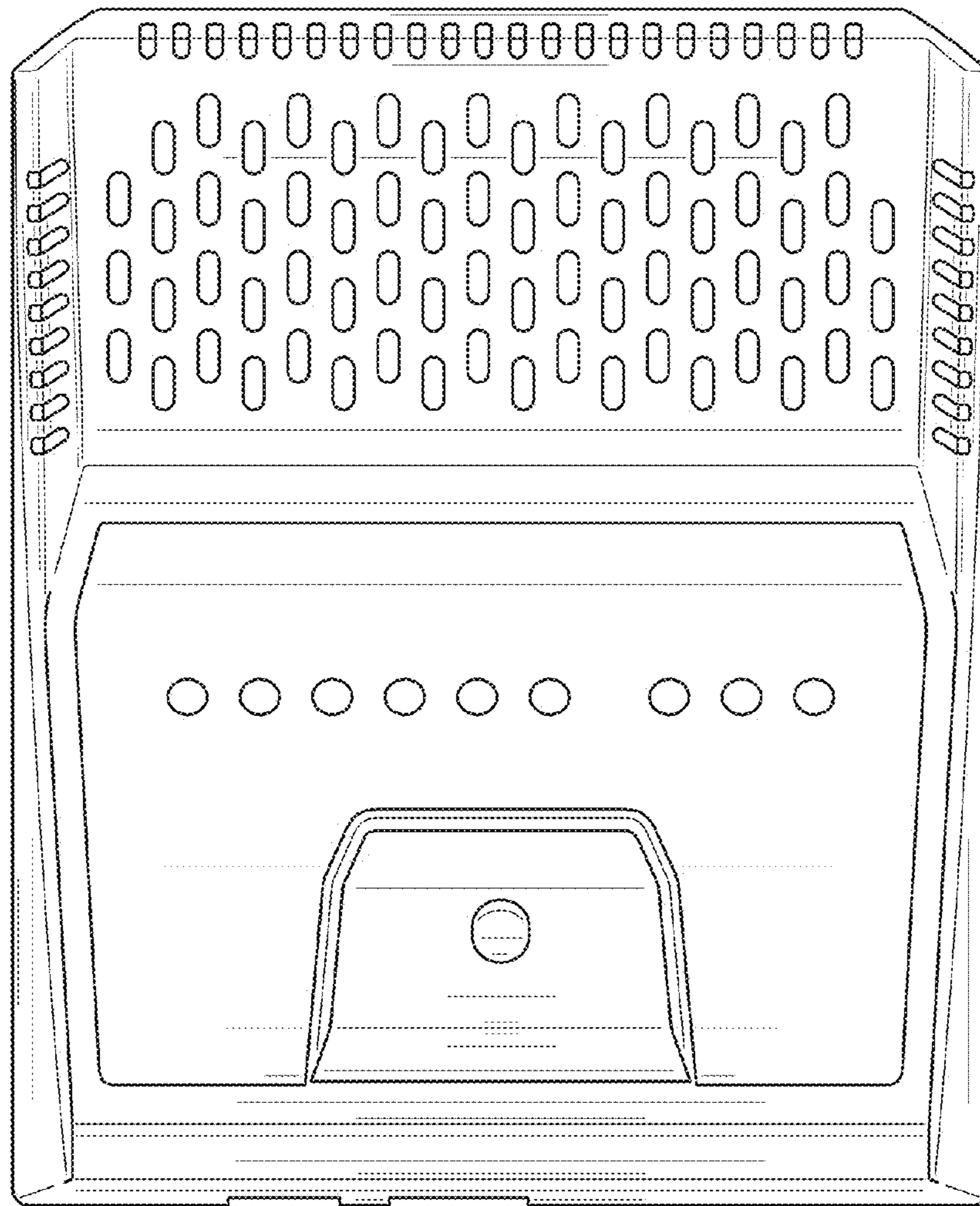


FIG. 13

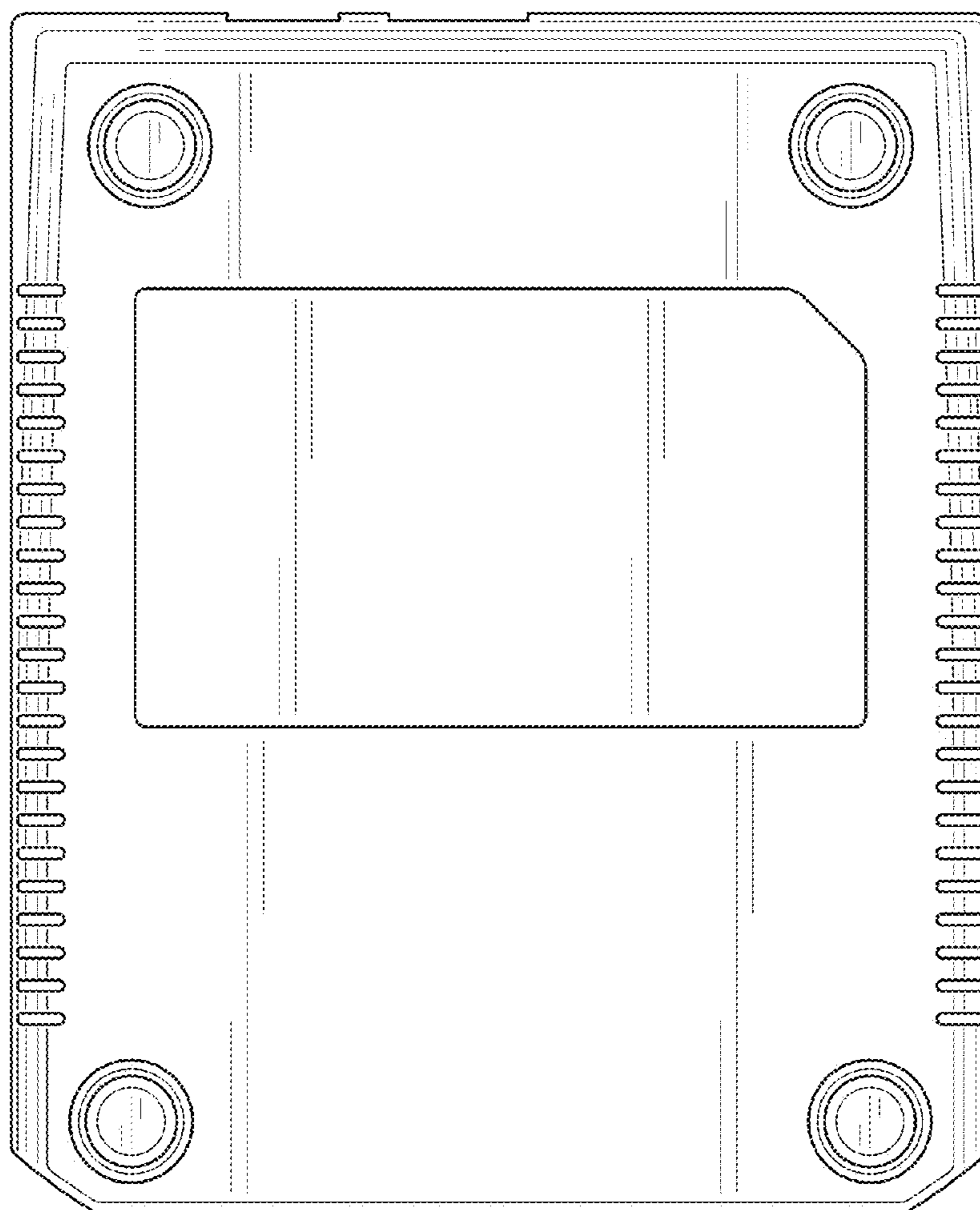


FIG. 14