



US00D761717S

(12) **United States Design Patent**
Fu

(10) **Patent No.:** **US D761,717 S**
(45) **Date of Patent:** **** Jul. 19, 2016**

(54) **TIRE TREAD**

(71) Applicant: **COOPER TIRE & RUBBER COMPANY**, Findlay, OH (US)

(72) Inventor: **Jason Q. Fu**, Shanghai (CN)

(73) Assignee: **COOPER TIRE & RUBBER COMPANY**, Findlay, OH (US)

(**) Term: **14 Years**

(21) Appl. No.: **29/500,975**

(22) Filed: **Aug. 29, 2014**

(51) **LOC (10) Cl.** **12-15**

(52) **U.S. Cl.**
USPC **D12/521**

(58) **Field of Classification Search**
USPC D12/500-532, 900-901
CPC B60C 11/0304; B60C 11/0302; B60C 11/0306; B60C 11/0309; B60C 11/0318; B60C 11/0311; B60C 11/042; B60C 11/13; B60C 11/00; B60C 11/11; B60C 11/12
See application file for complete search history.

(56) **References Cited**

U.S. PATENT DOCUMENTS

D432,957 S * 10/2000 Ricquet D12/521
D512,013 S * 11/2005 Delu D12/517
D579,855 S * 11/2008 Fontaine D12/521

D666,138 S * 8/2012 Fontaine D12/521
D671,884 S * 12/2012 Youn D12/521
D722,010 S * 2/2015 Tian D12/521
D733,635 S * 7/2015 Digman D12/521
D742,808 S * 11/2015 Schimmoeller D12/521
D744,406 S * 12/2015 Bosch Alsina D12/521

* cited by examiner

Primary Examiner — Stacia Cadmus

(74) *Attorney, Agent, or Firm* — Fay Sharpe LLP

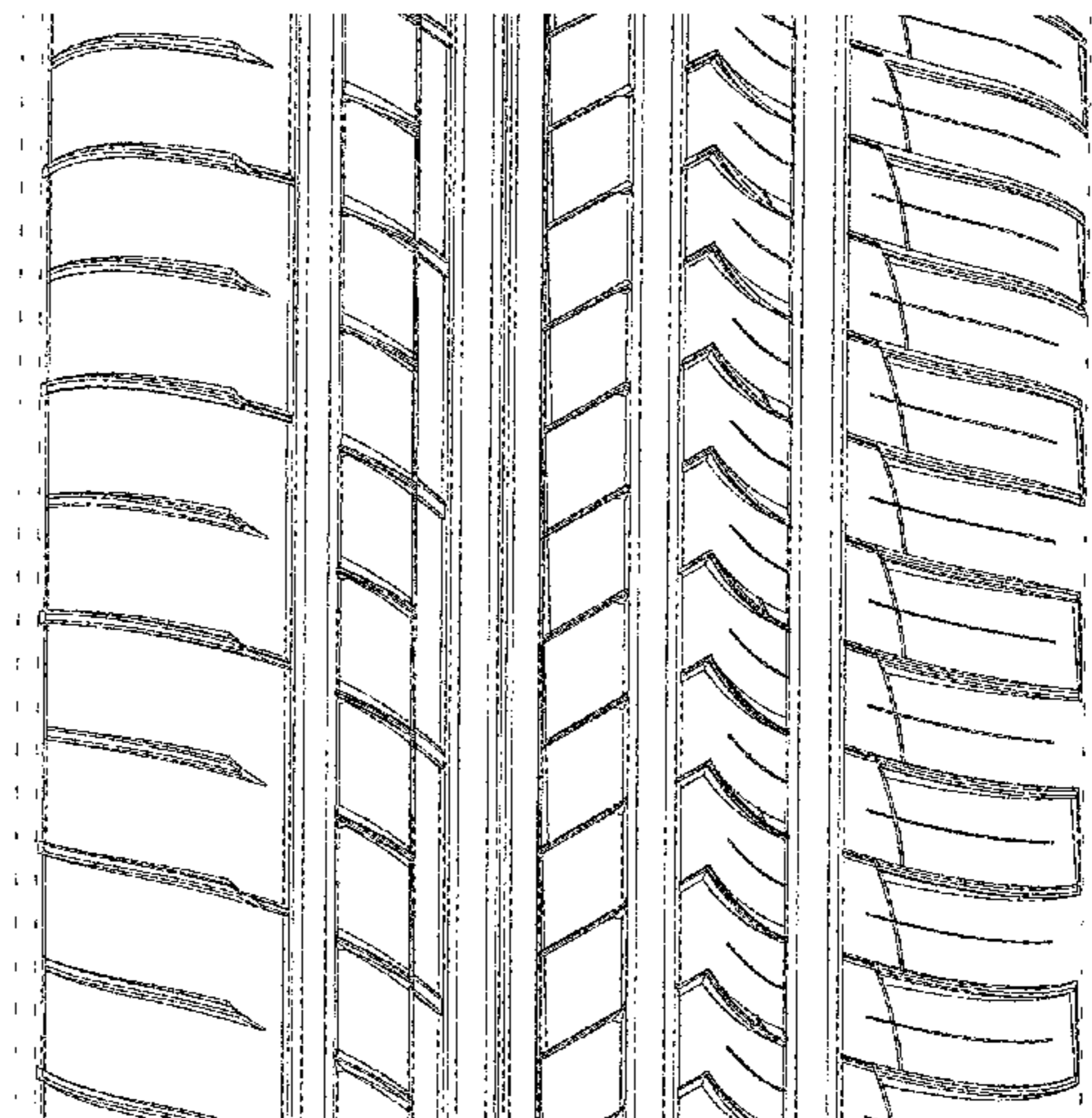
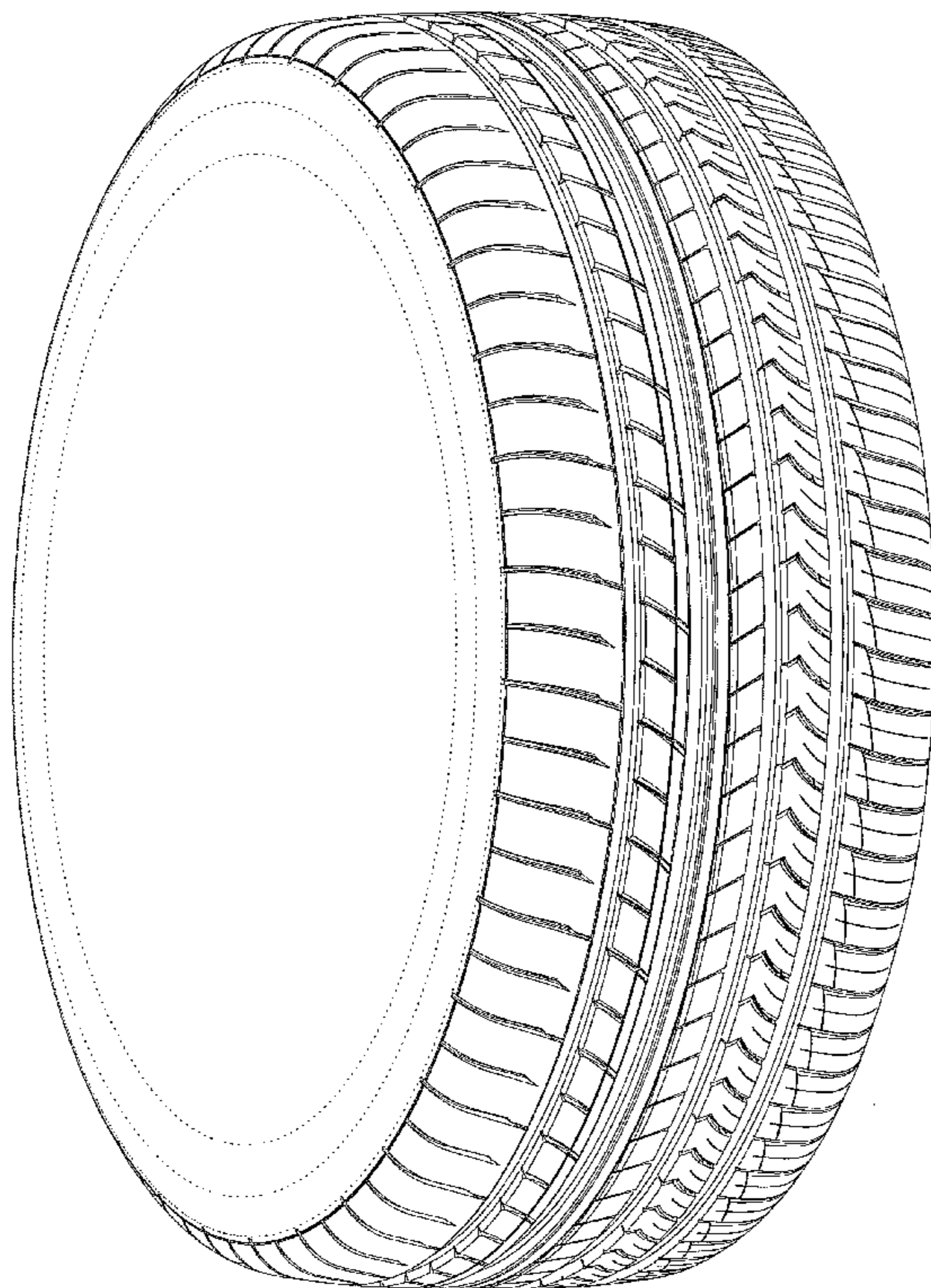
(57) **CLAIM**

The ornamental design for a tire tread, as shown and described.

DESCRIPTION

FIG. 1 is a perspective view of the tire tread of the present application;
FIG. 2 is an enlarged perspective view of approximately one-quarter portion thereof;
FIG. 3 is an enlarged partial side view of approximately one-quarter portion of the inside thereof;
FIG. 4 is an enlarged partial side view of approximately one-quarter portion of the outside thereof; and,
FIG. 5 is an enlarged partial front view thereof.
The broken line showing of the sidewall, inner bead, and the peripheral boundary between the tire tread and the sidewall is included for the purpose of illustrating environment and forms no part of the claim. The remaining three-quarter portions of the full tire (FIGS. 2-4) are repetitive of the illustrated one-quarter portion.

1 Claim, 5 Drawing Sheets



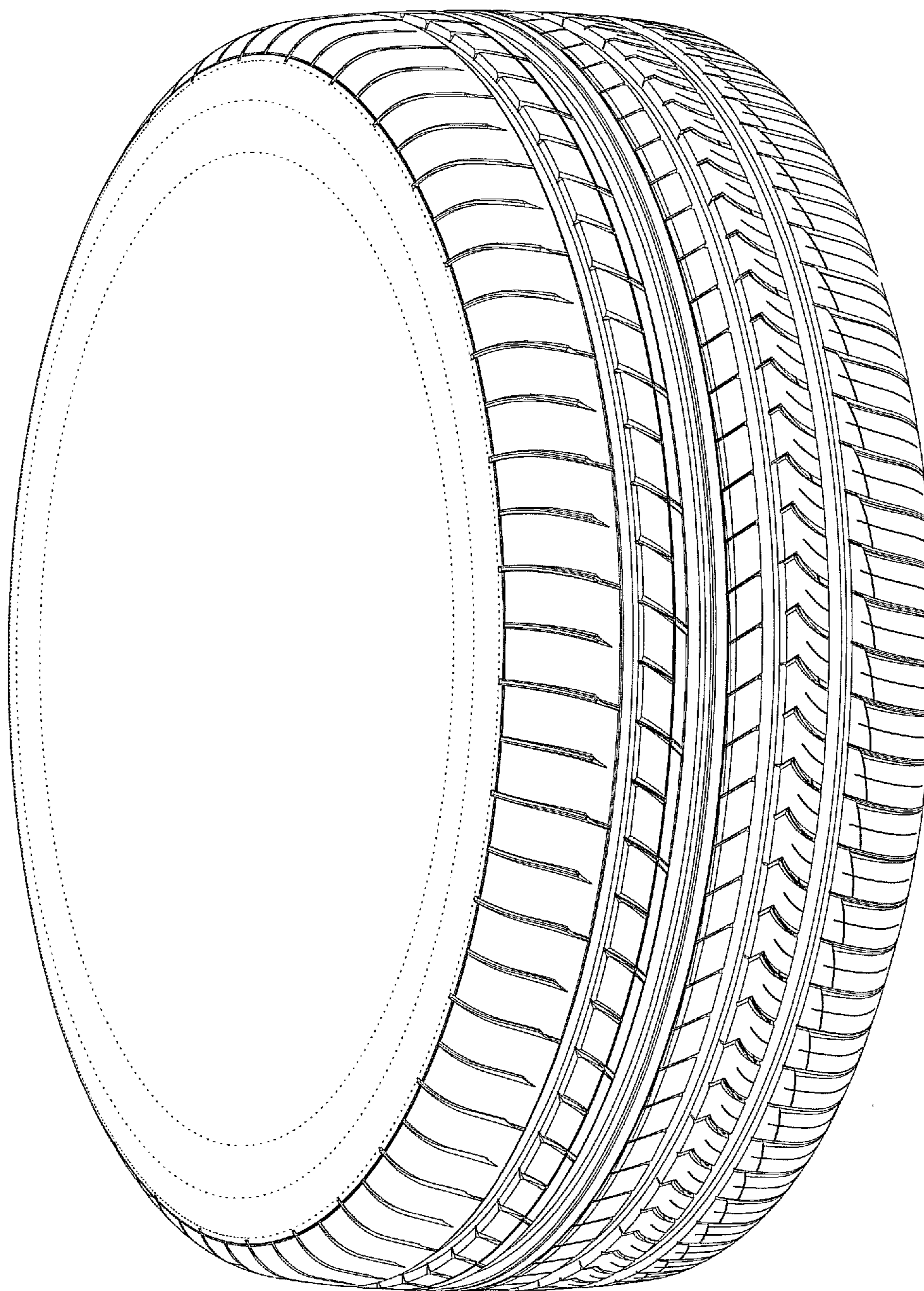


FIG. 1

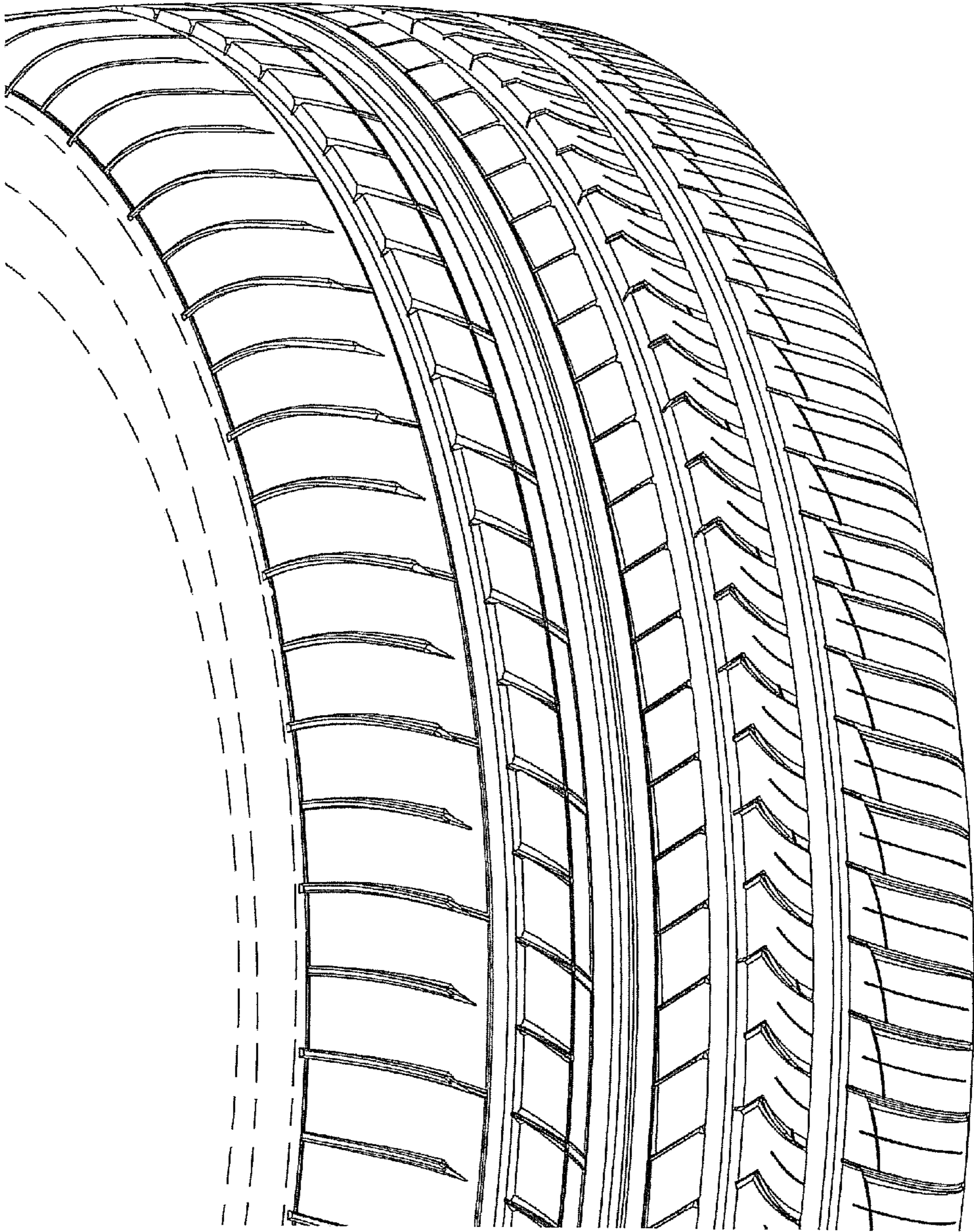


FIG. 2

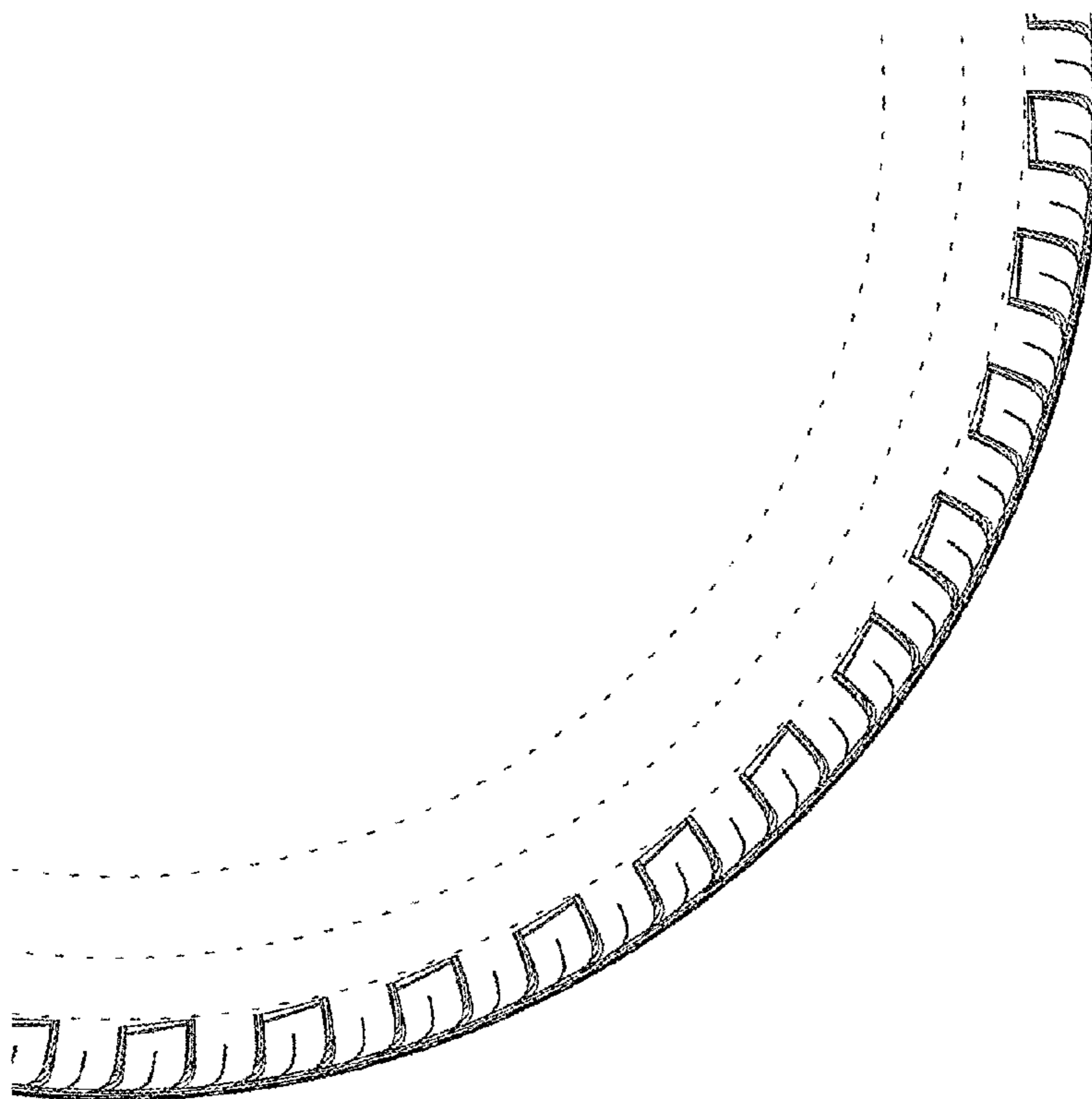


FIG. 3

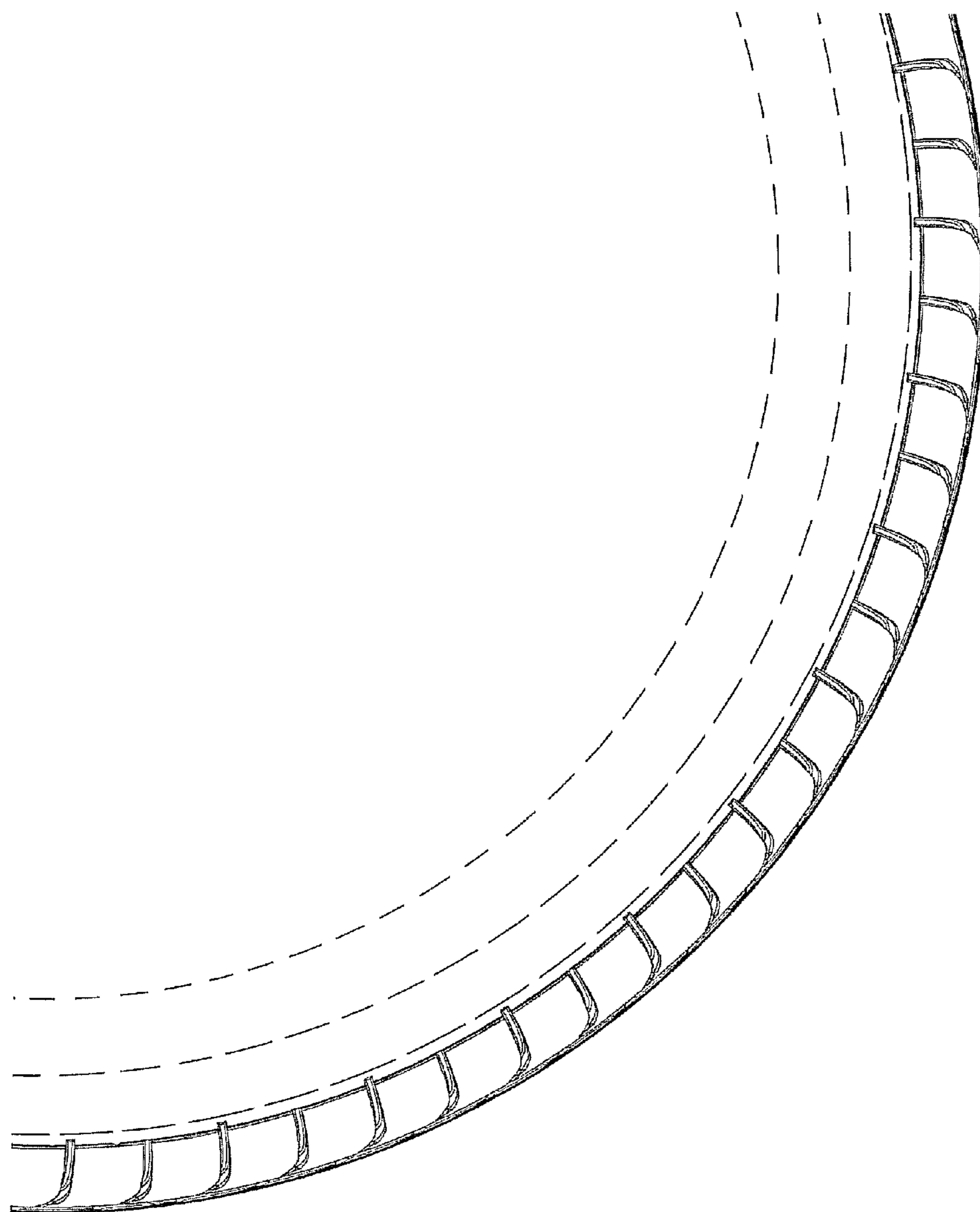


FIG. 4

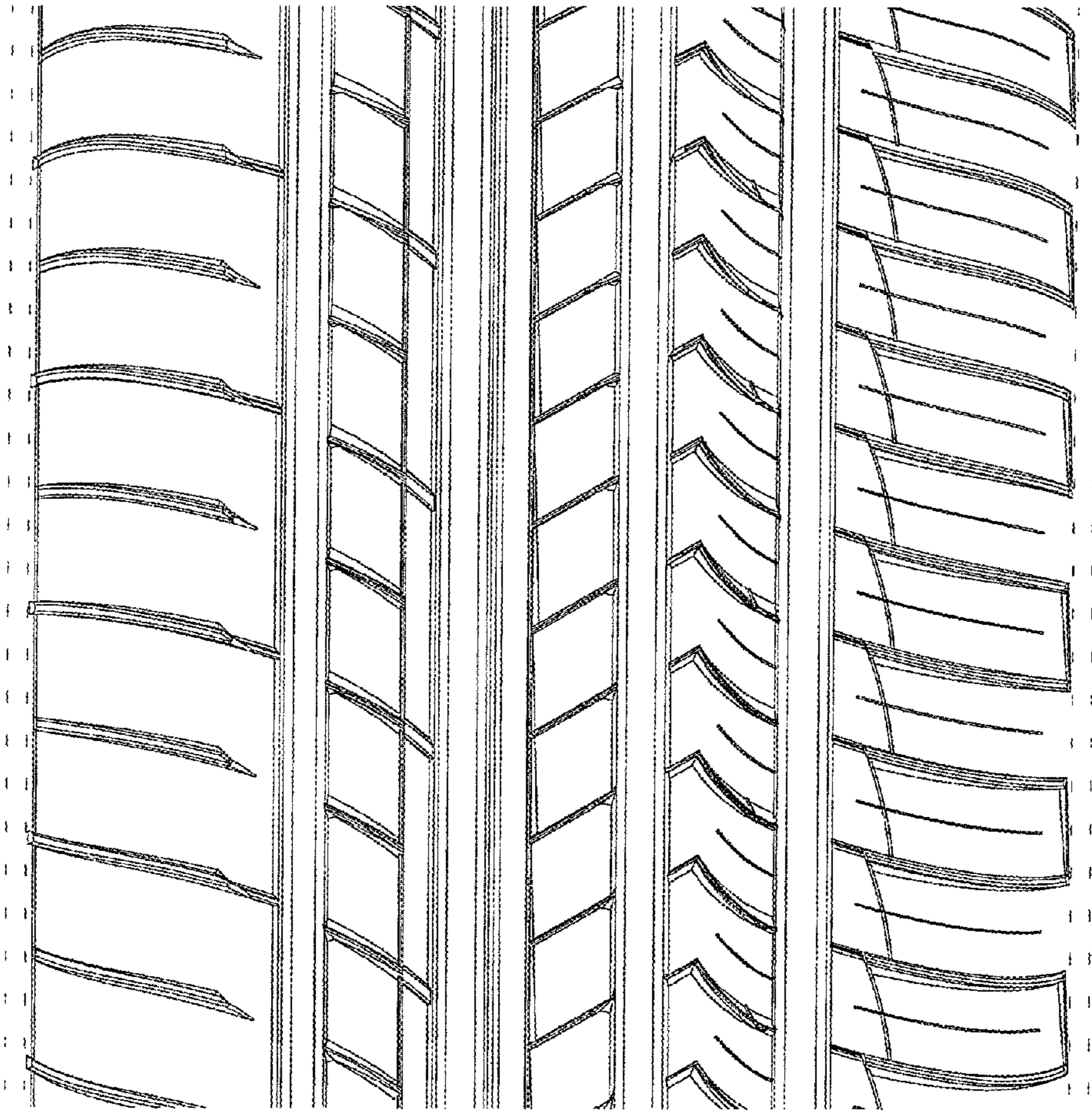


FIG. 5