



US00D761716S

(12) **United States Design Patent**
Albouy et al.

(10) **Patent No.:** **US D761,716 S**

(45) **Date of Patent:** **** *Jul. 19, 2016**

(54) **TIRE TREAD**

(56) **References Cited**

(71) Applicants: **COMPAGNIE GENERALE DES ESTABLISSEMENTS MICHELIN**, Clermont-Ferrand (FR); **MICHELIN RECHERCHE ET TECHNIQUE S.A.**, Granges-Paccot (CH)

U.S. PATENT DOCUMENTS

D390,817 S	2/1998	Graas	
D444,428 S	7/2001	Hutz et al.	
D447,097 S *	8/2001	Graas	D12/523
D466,472 S	12/2002	Abe et al.	
D469,396 S	1/2003	Hutson et al.	
D517,976 S	3/2006	Raatikainen	
D547,716 S	7/2007	Ochi	
D561,683 S	2/2008	Kiwaki	
D578,470 S	10/2008	Regallis et al.	
D583,302 S	12/2008	Shavers et al.	
D597,474 S *	8/2009	Yamakawa	D12/519
D599,276 S *	9/2009	Fontaine	D12/519
D601,939 S *	10/2009	Fontaine	D12/519
D603,324 S *	11/2009	Woidtke	D12/519
D609,627 S *	2/2010	Frappart	D12/523

(72) Inventors: **Mathieu Albouy**, Clermont-Ferrand (FR); **Cedrick Polycarpe**, Clermont-Ferrand (FR); **Vincent Tourneux**, Clermont-Ferrand (FR)

(73) Assignees: **COMPAGNIE GENERALE DES ESTABLISSEMENTS MICHELIN** (FR); **MICHELIN RECHERCHE ET TECHNIQUE S.A.** (CH)

(Continued)

(*) Notice: This patent is subject to a terminal disclaimer.

Primary Examiner — Stacia Cadmus

(74) *Attorney, Agent, or Firm* — Dickinson Wright PLLC

(**) Term: **14 Years**

(57) **CLAIM**

The ornamental design for a tire tread, as shown and described.

(21) Appl. No.: **29/504,545**

DESCRIPTION

(22) Filed: **Oct. 7, 2014**

(30) **Foreign Application Priority Data**

Apr. 7, 2014 (FR) 14/1596

(51) **LOC (10) Cl.** **12-15**

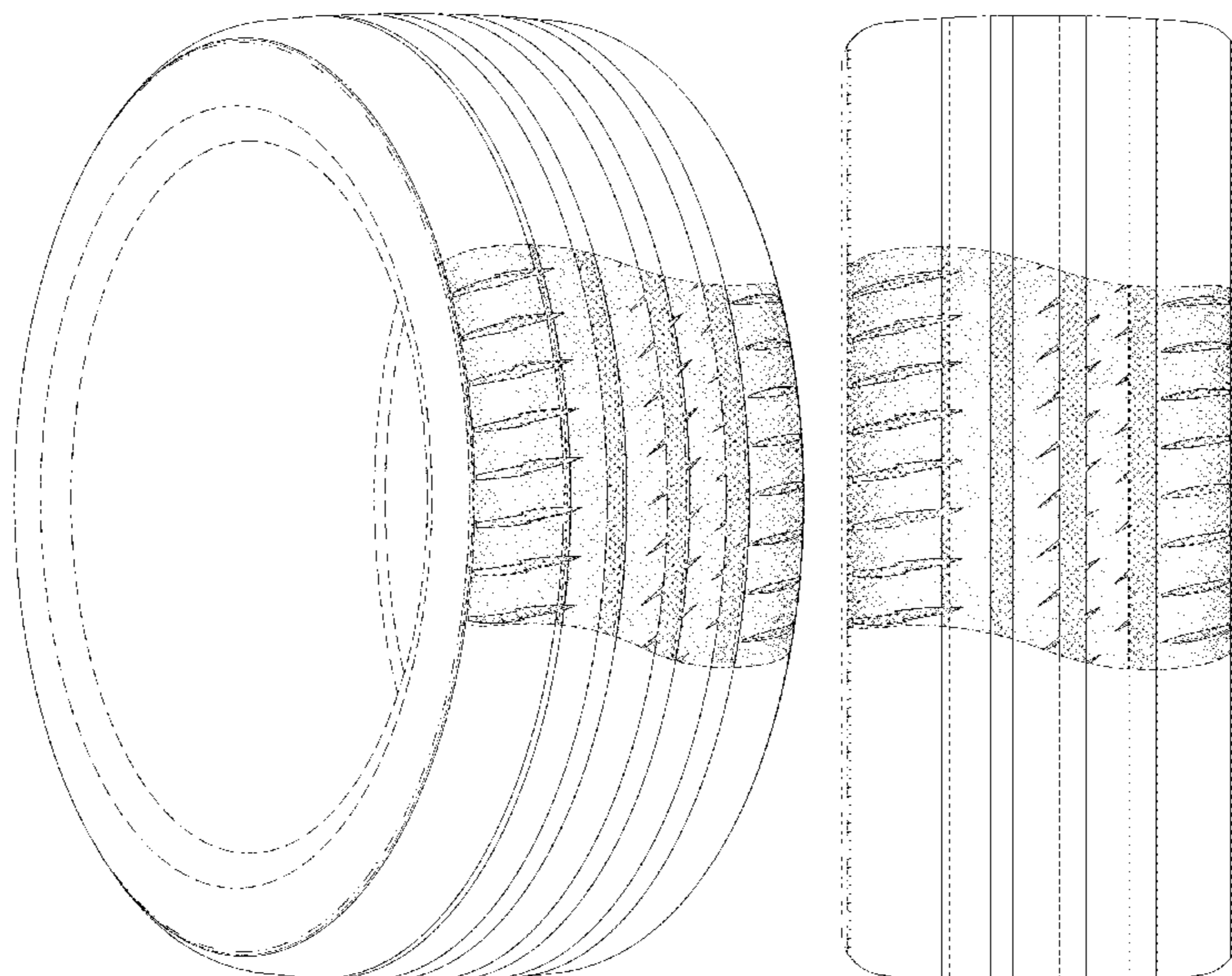
(52) **U.S. Cl.**
USPC **D12/519**; D12/518

(58) **Field of Classification Search**
USPC D12/500–532, 900–901
CPC B60C 11/0304; B60C 11/0302; B60C 11/0306; B60C 11/0309; B60C 11/0318; B60C 11/0311; B60C 11/042; B60C 11/13; B60C 11/00; B60C 11/11; B60C 11/12
See application file for complete search history.

FIG. 1 is a perspective view of the tire tread of our design; FIG. 2 is a front view of the tread of our design; FIG. 3 is a side elevational view of the tire tread of our design; FIG. 4 is a side elevational view of the tire tread of our design, taken from the opposite side shown in FIG. 3; and, FIG. 5 is an enlarged, partial view of FIG. 1.

In the drawings, the broken lines depict environmental subject matter that forms no part of the claimed design. The dash-dot lines represent the peripheral boundary between the claimed tire tread and the unclaimed sidewall. The tread pattern is understood to repeat uniformly throughout the circumference of the tire, as shown schematically in solid lines.

1 Claim, 5 Drawing Sheets



(56)

References Cited

U.S. PATENT DOCUMENTS

D610,068 S 2/2010 Nagata
D612,321 S 3/2010 Bott et al.
D634,261 S * 3/2011 Schmalix D12/519
D643,799 S * 8/2011 Berryman D12/523
D647,455 S 10/2011 Frappart et al.
D647,456 S * 10/2011 Behr D12/519
D648,668 S * 11/2011 Kujime D12/519

D650,322 S 12/2011 Takahashi
D651,160 S 12/2011 Jacobs
D665,336 S * 8/2012 Skurich D12/523
D667,358 S 9/2012 Fontaine et al.
D696,182 S 12/2013 Sakamoto
D696,621 S 12/2013 Harvey et al.
D719,079 S 12/2014 Horiuchi et al.
D725,584 S * 3/2015 Ropars D12/516
D729,147 S * 5/2015 Perrier D12/518
D732,461 S * 6/2015 Bindner D12/519

* cited by examiner

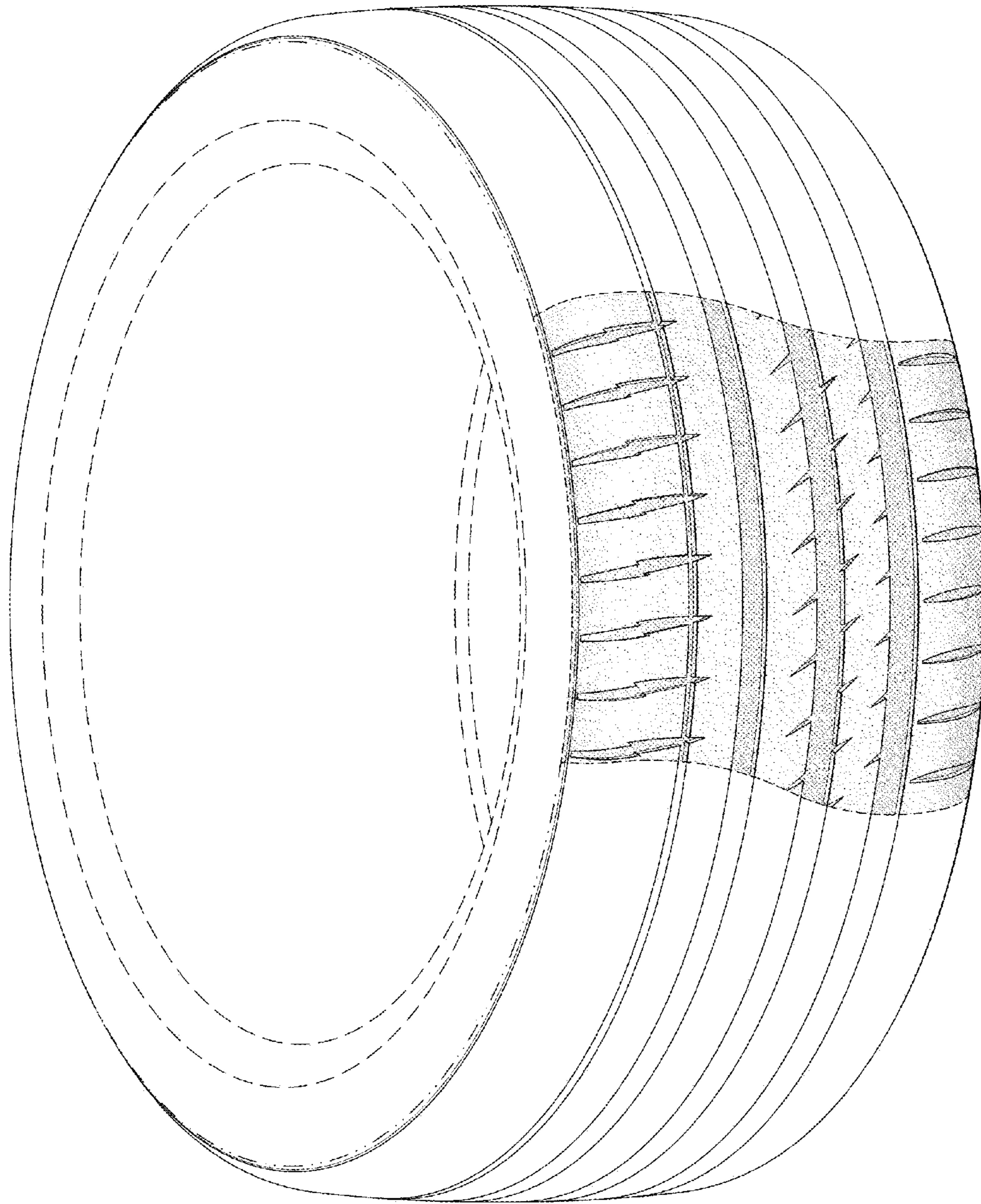


FIG. 1

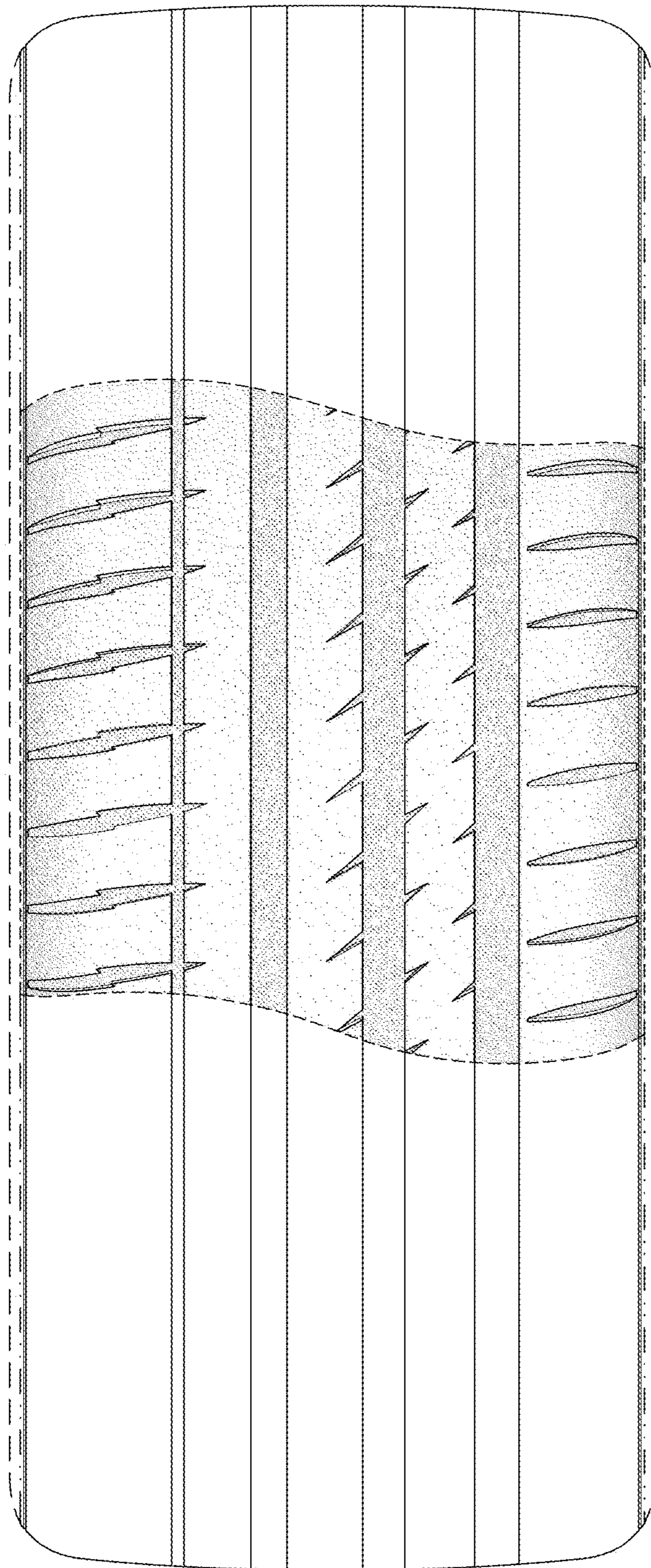


FIG. 2

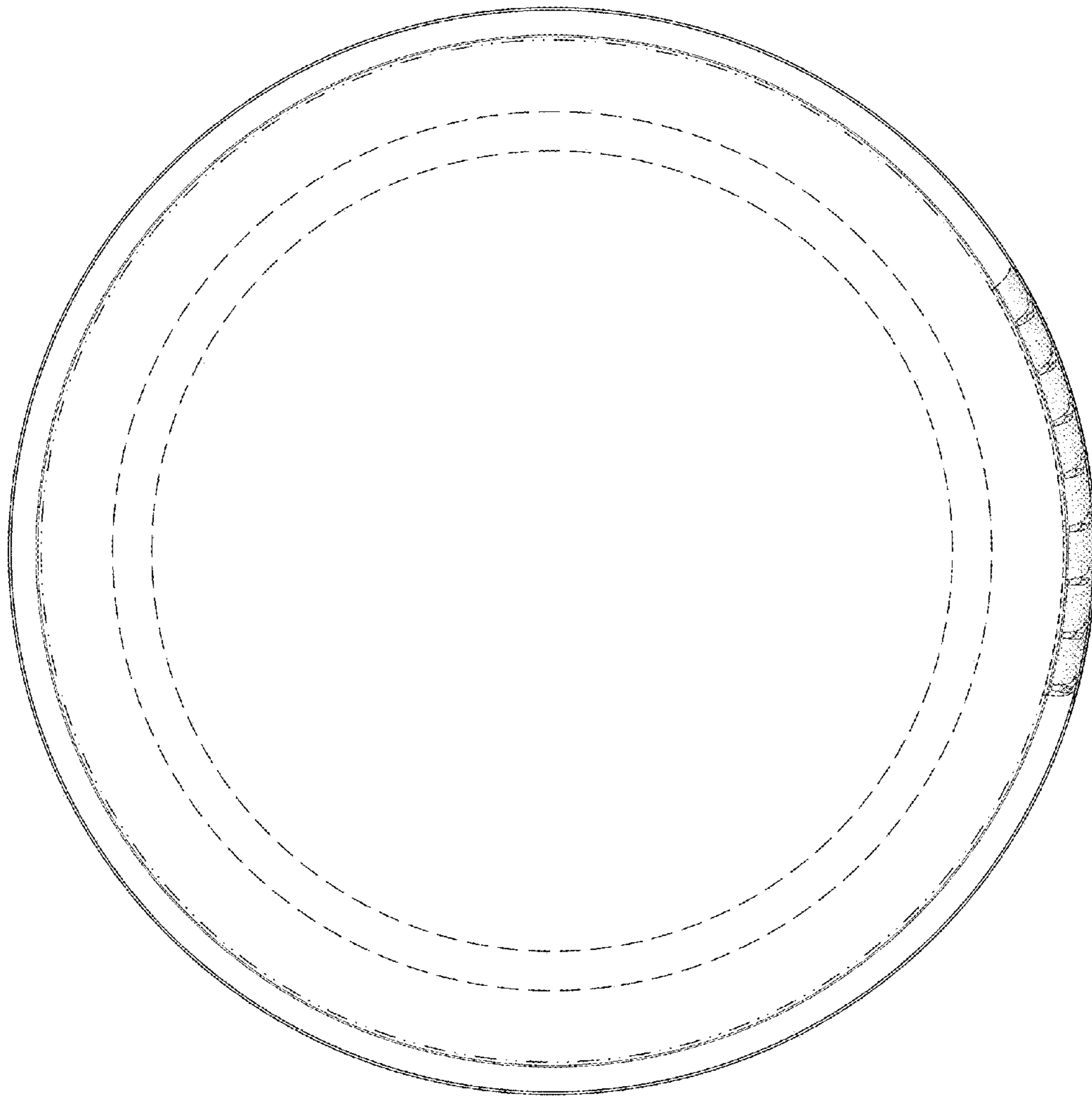


FIG. 3

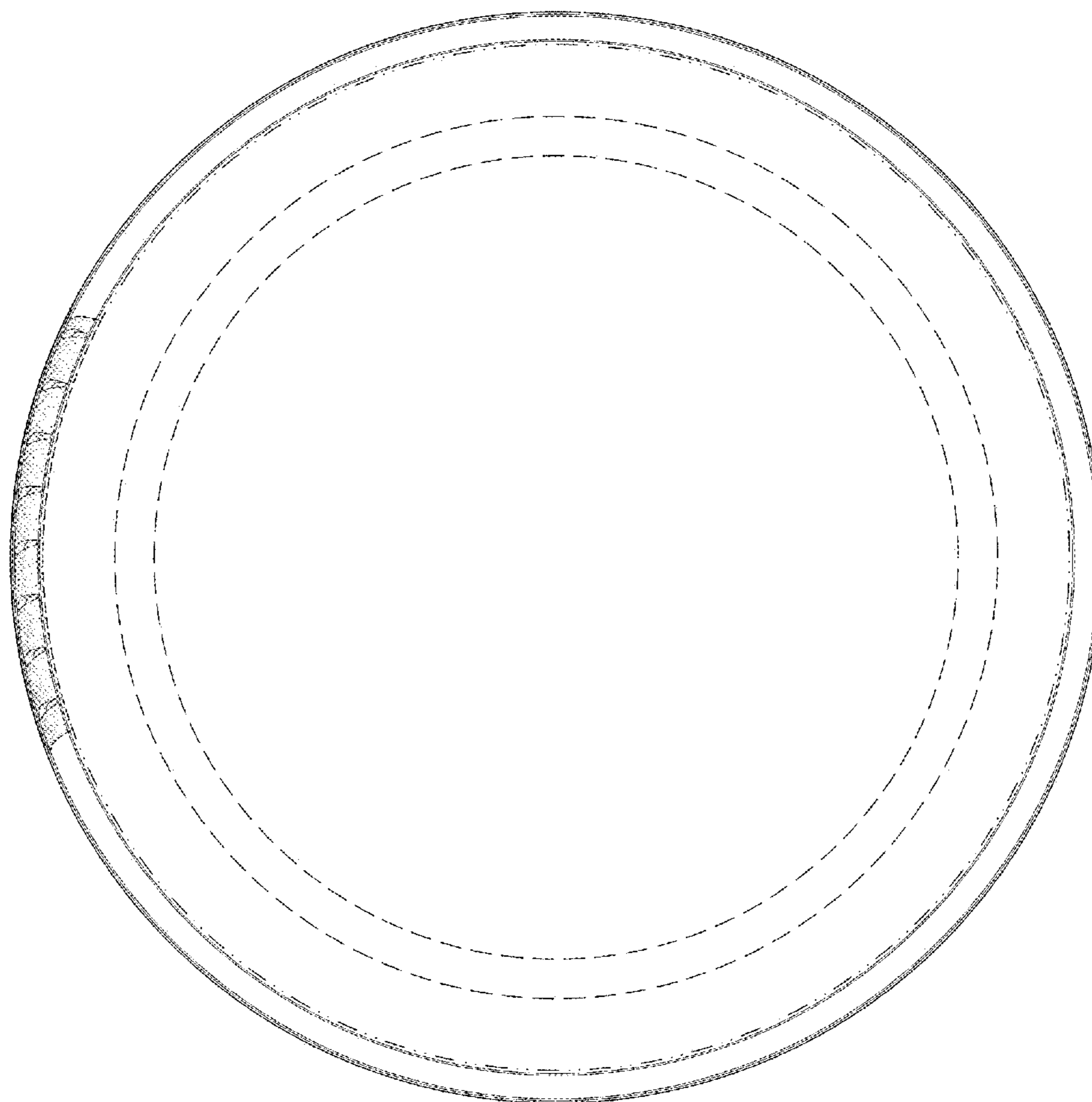


FIG. 4

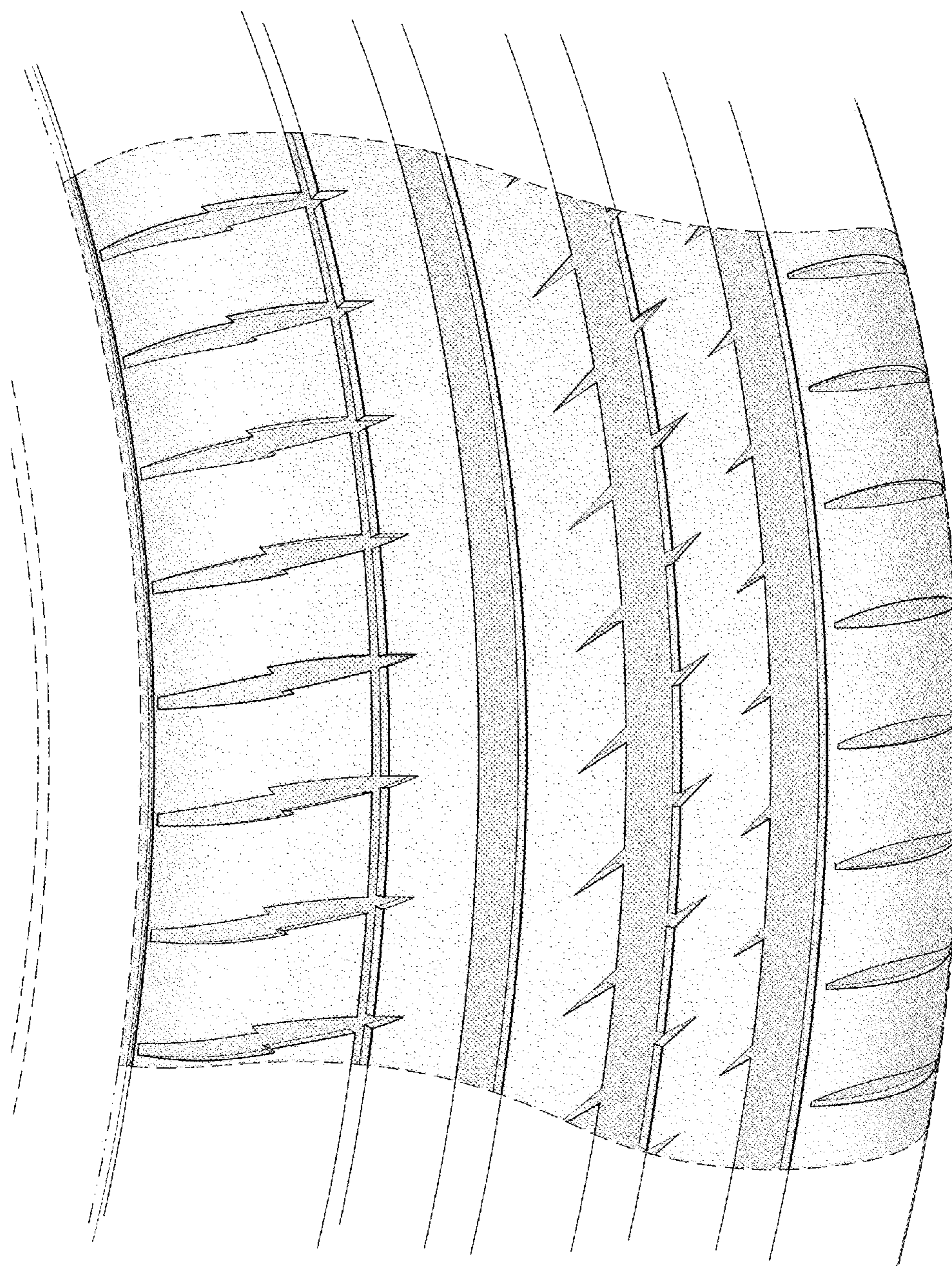


FIG. 5