



US00D761715S

(12) **United States Design Patent**
Travis

(10) **Patent No.:** **US D761,715 S**
(45) **Date of Patent:** **** Jul. 19, 2016**

- (54) **TRUCK TARPAULIN**
- (71) Applicant: **Trent D. Travis**, Forest Lake, MN (US)
- (72) Inventor: **Trent D. Travis**, Forest Lake, MN (US)
- (**) Term: **14 Years**
- (21) Appl. No.: **29/515,520**
- (22) Filed: **Jan. 23, 2015**
- (51) **LOC (10) Cl.** **12-16**
- (52) **U.S. Cl.**
USPC **D12/401**
- (58) **Field of Classification Search**
USPC D12/401-405
CPC B60J 11/08; B60J 11/06; A47C 31/10
See application file for complete search history.

- 2003/0067186 A1* 4/2003 Cramaro B60J 7/065
296/105
- 2005/0218682 A1 10/2005 Klotz et al.
- 2011/0254310 A1* 10/2011 Royer B60J 7/085
296/100.14
- 2014/0210228 A1* 7/2014 Cramaro B60J 7/062
296/100.11
- 2016/0083001 A1* 3/2016 Mastromatto B62B 15/007
280/19

* cited by examiner

Primary Examiner — Katrina A Betton

(74) *Attorney, Agent, or Firm* — Robert C Montgomery;
Montgomery Patent & Desig

(57) **CLAIM**

The ornamental design for a truck tarpaulin, as shown and described.

DESCRIPTION

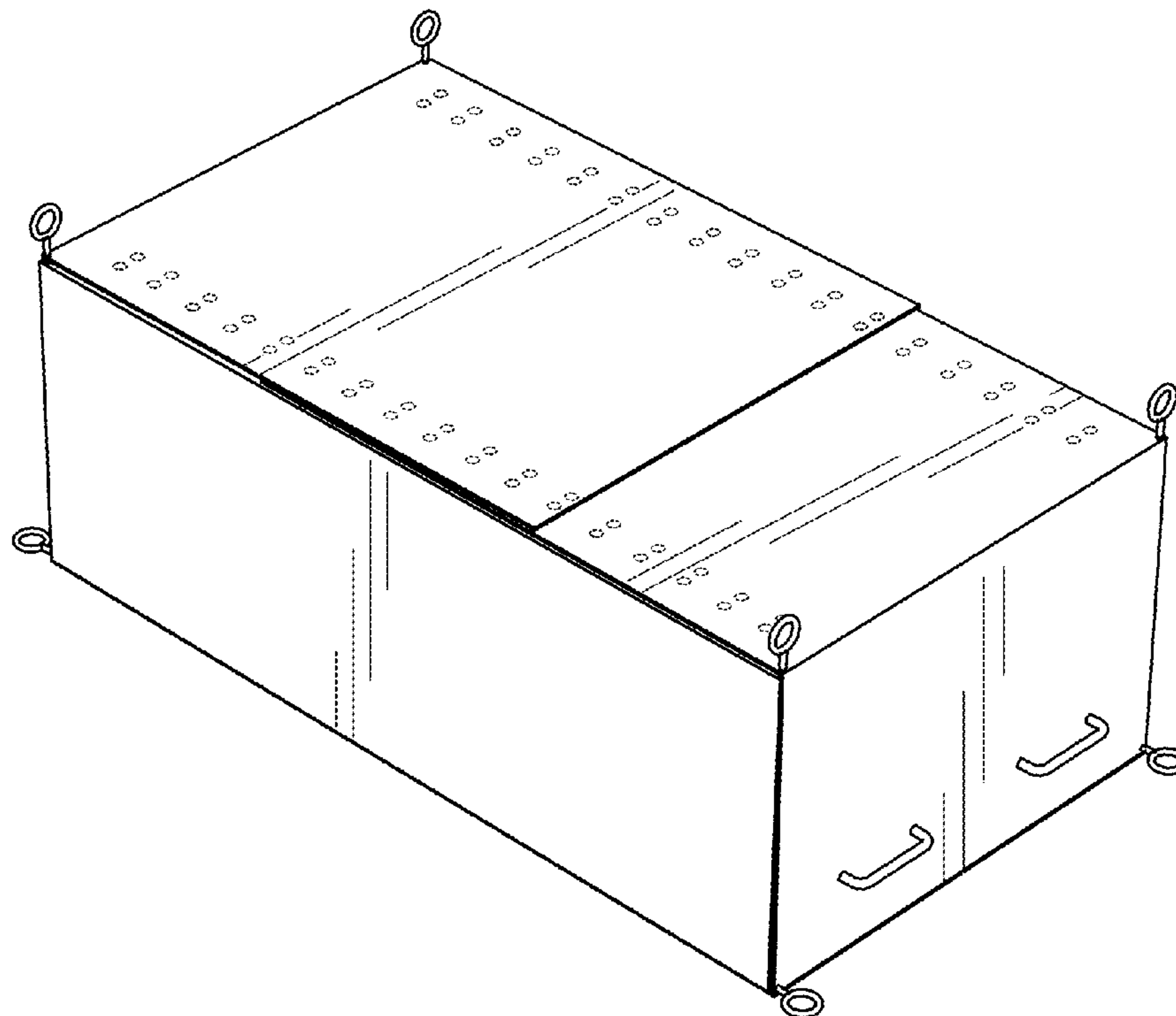
FIG. 1 is a perspective front view of the truck tarpaulin in a closed position, showing my new design;
 FIG. 2 is a perspective front view in an open position;
 FIG. 3 is a front side view with the back side view being a mirror image thereof;
 FIG. 4 is a right side view with the left side view being a mirror image thereof;
 FIG. 5 is a top side view thereof; and,
 FIG. 6 is a bottom side view thereof.
 The dashed lines are intended to show boundary areas and form no part of the claimed design.

(56) **References Cited**

U.S. PATENT DOCUMENTS

- 4,877,281 A 10/1989 Altmann
- 5,094,257 A * 3/1992 Wilson E04H 15/38
135/148
- 5,709,477 A 1/1998 Schinasi et al.
- 5,722,710 A 3/1998 Falciani
- 6,131,983 A 10/2000 Jackson
- 6,349,743 B1 * 2/2002 Staiger F16K 25/005
137/625.69
- 7,178,851 B1 2/2007 Gridley
- D679,771 S * 4/2013 Muggleton D12/401
- D691,549 S * 10/2013 Kara D12/402
- 9,150,086 B1 * 10/2015 Royer B60J 7/085

1 Claim, 6 Drawing Sheets



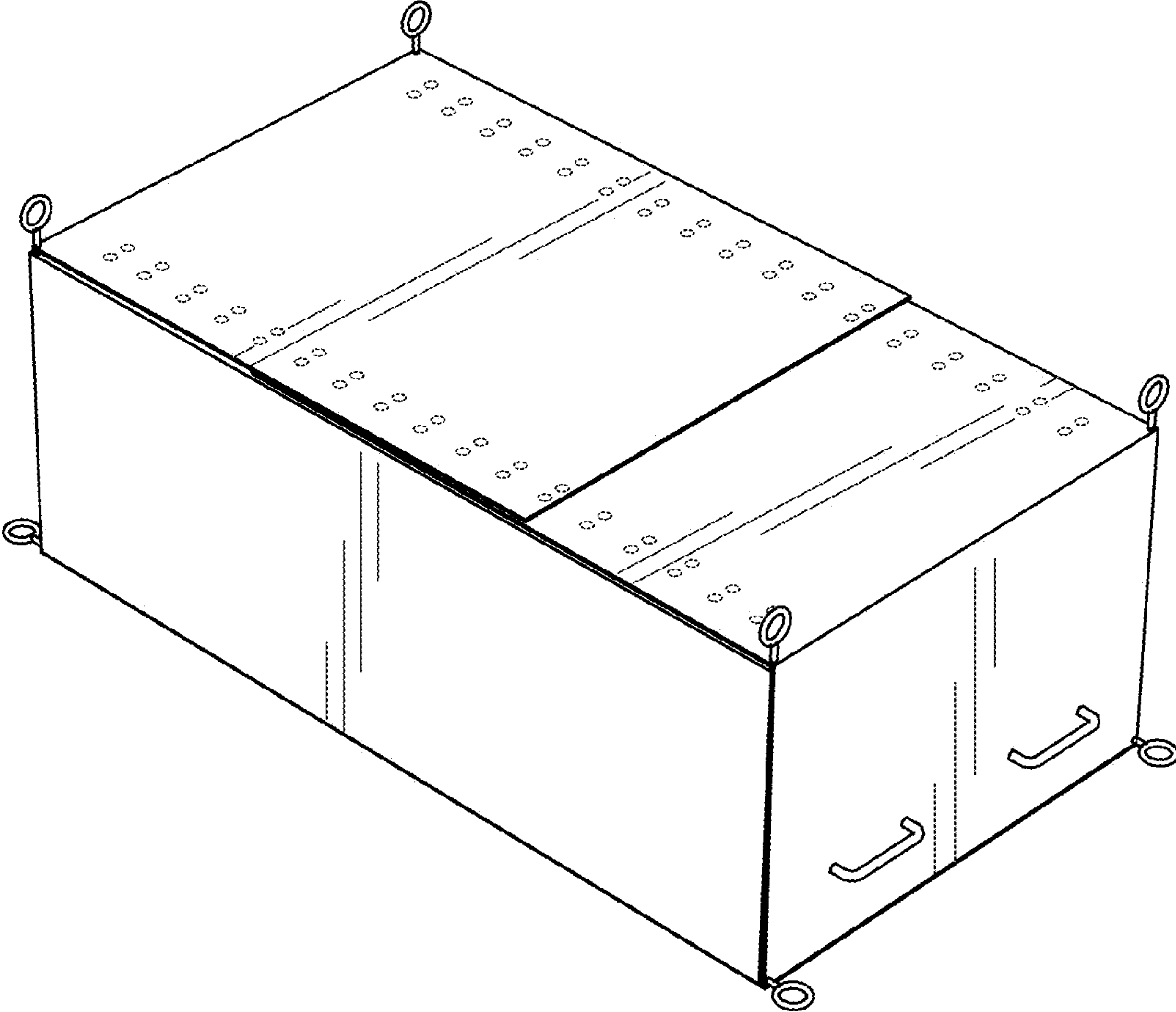


Fig. 1

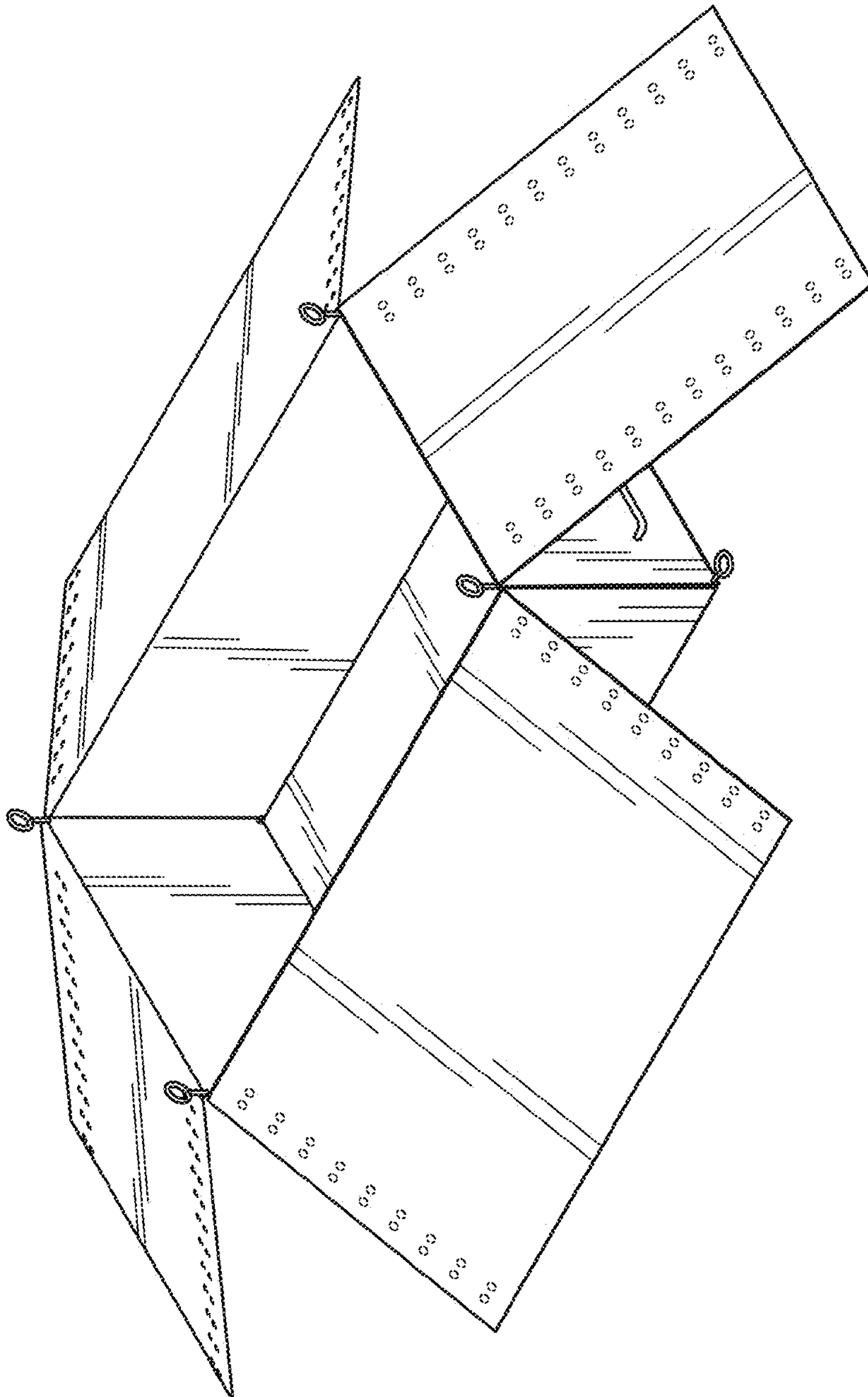


Fig. 2

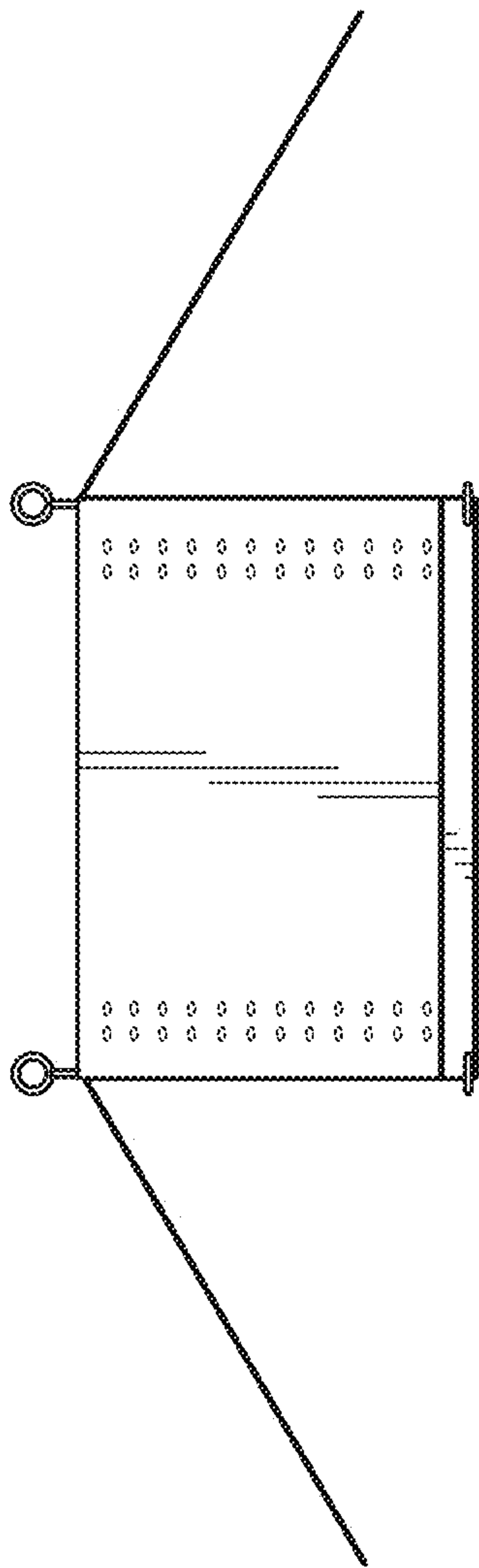


Fig. 3

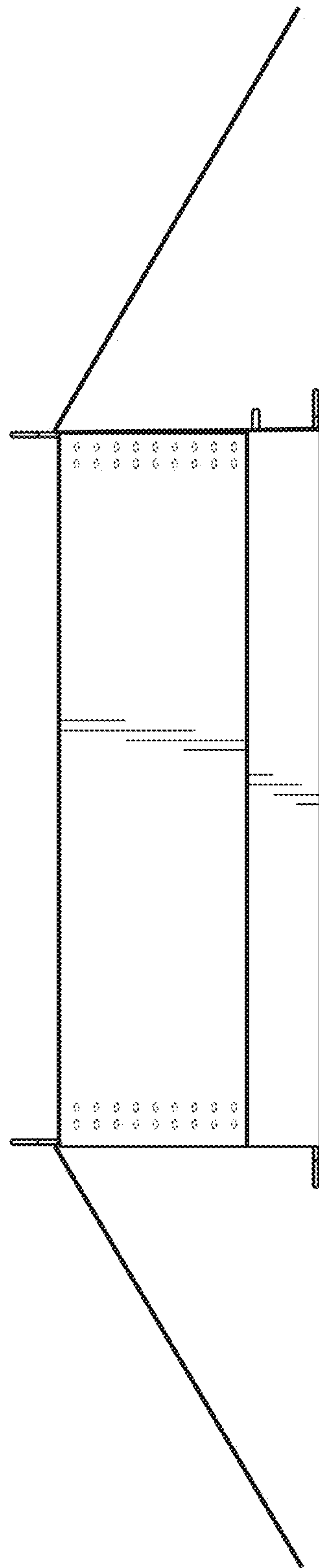


Fig. 4

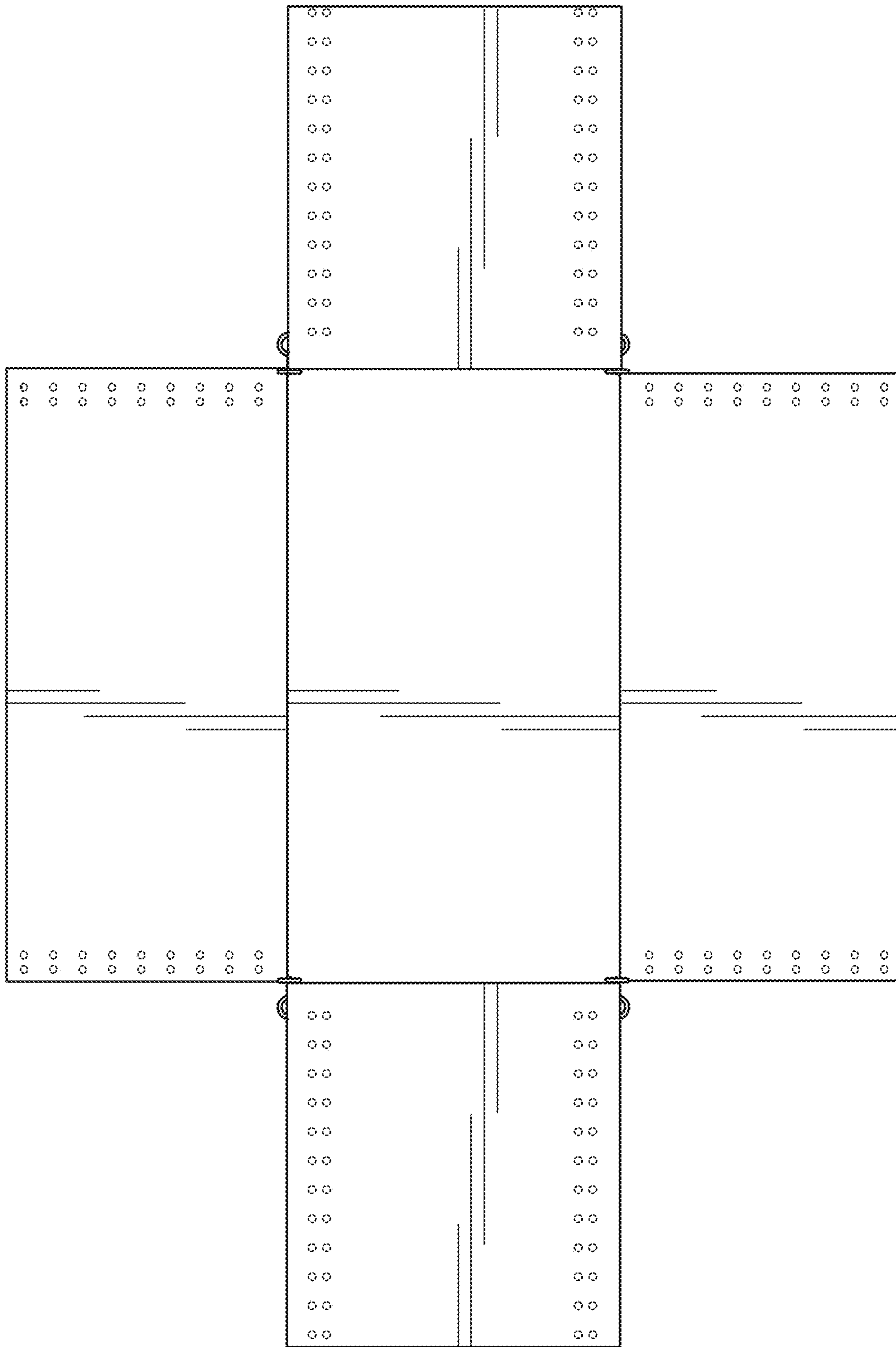


Fig. 5

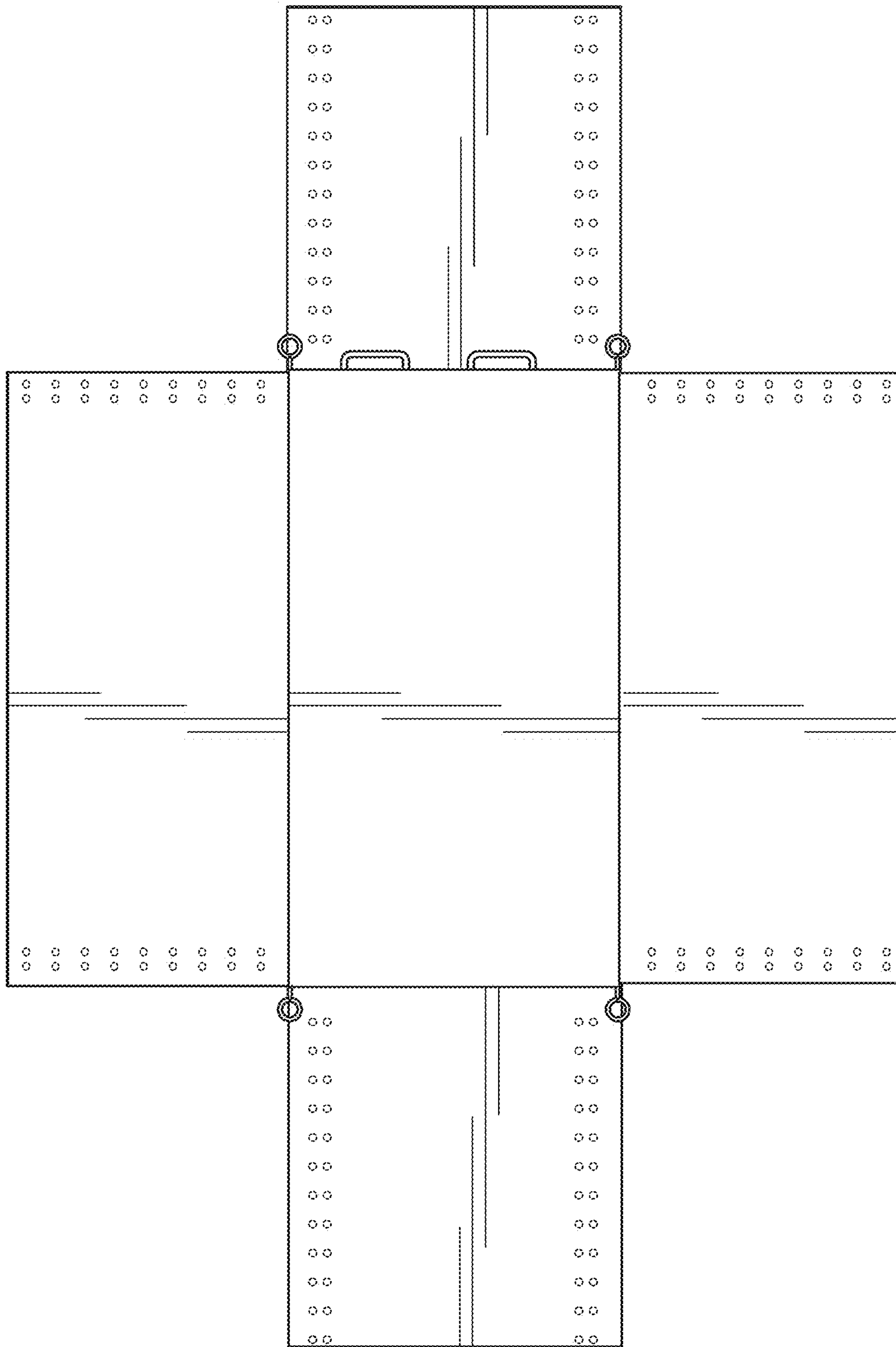


Fig. 6