

US00D761714S

(12) **United States Design Patent**  
**Braver et al.**

(10) **Patent No.:** **US D761,714 S**  
(45) **Date of Patent:** **\*\* Jul. 19, 2016**

- (54) **ELEVATED SUN PLATFORM**
- (71) Applicants: **Skip Braver**, Opa Locka, FL (US);  
**Sidney Lanier**, Bradenton, FL (US)
- (72) Inventors: **Skip Braver**, Opa Locka, FL (US);  
**Sidney Lanier**, Bradenton, FL (US)
- (73) Assignee: **Cigarette Racing Team, LLC.**, Opa  
Locka, FL (US)
- (\*\*) Term: **14 Years**
- (21) Appl. No.: **29/521,327**
- (22) Filed: **Mar. 23, 2015**

D319,424 S	8/1991	Marks	
5,044,294 A	9/1991	Kronich et al.	
D322,240 S *	12/1991	Carlson .....	D12/300
5,136,963 A *	8/1992	Zuzik .....	B63B 29/10 114/343
D329,038 S	9/1992	Dekker et al.	
5,143,013 A	9/1992	Huebner	
5,211,126 A	5/1993	Johnson	
5,224,297 A	7/1993	Watkins	
5,232,385 A	8/1993	Hatfield	
D345,339 S	3/1994	Wenstadt et al.	
D357,223 S *	4/1995	Thompson .....	D12/313
D375,479 S *	11/1996	Lapointe .....	D12/300
5,715,770 A	2/1998	Heyworth	
D393,443 S	4/1998	Cassell et al.	
5,934,215 A	8/1999	Burg	
5,937,777 A	8/1999	Azima	

(Continued)

**Related U.S. Application Data**

- (63) Continuation-in-part of application No. 29/503,370,  
filed on Sep. 25, 2014.
- (51) **LOC (10) Cl.** ..... **12-06**
- (52) **U.S. Cl.**  
USPC ..... **D12/317**
- (58) **Field of Classification Search**  
USPC ..... D12/203, 300-318  
CPC ..... B63B 29/00; B63B 27/00; B63B 27/14;  
B63B 17/00  
See application file for complete search history.

**References Cited**

**U.S. PATENT DOCUMENTS**

D246,035 S	10/1977	Rudiger	
4,425,861 A	1/1984	Raikamo	
4,469,040 A	9/1984	Gougeon et al.	
D277,472 S	2/1985	Alter	
D290,949 S	7/1987	Scarboro	
4,688,506 A	8/1987	Van Breems	
4,729,334 A	3/1988	DeJean, Jr.	
4,807,556 A	2/1989	Hillier	
4,917,037 A	4/1990	Hargett, Sr.	
D310,059 S *	8/1990	Porter .....	D12/317
D315,892 S	4/1991	Tollefson et al.	

**FOREIGN PATENT DOCUMENTS**

- EM 1380455-0001 8/2013
- Primary Examiner* — Cynthia M Chin
- (74) *Attorney, Agent, or Firm* — Malloy & Malloy, P.L.

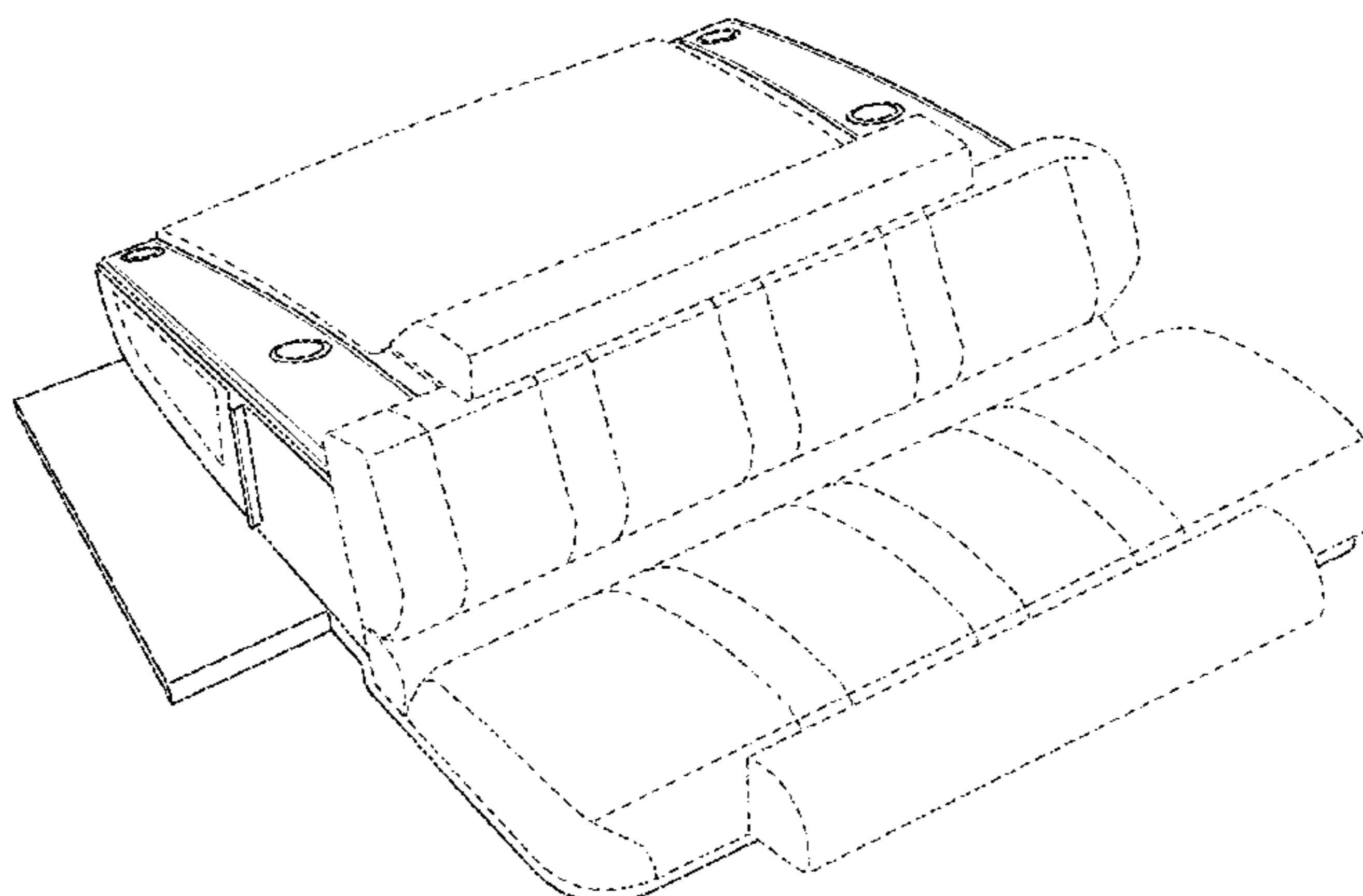
**CLAIM**

(57) The ornamental design for an elevated sun platform, as shown and described.

**DESCRIPTION**

FIG. 1 is a front perspective view illustrating my design for an elevated sun platform;  
 FIG. 2 is a rear perspective view thereof;  
 FIG. 3 is a top plan view thereof;  
 FIG. 4 is a bottom perspective view thereof;  
 FIG. 5 is a front view thereof;  
 FIG. 6 is a rear view thereof;  
 FIG. 7 is a left side view thereof; and,  
 FIG. 8 is a right side elevation view thereof.  
 The broken lines shown are included for the purpose of illustrating the unclaimed portions of the article and forms no part of the claimed design.

**1 Claim, 8 Drawing Sheets**



# US D761,714 S

(56)

## References Cited

### U.S. PATENT DOCUMENTS

D429,682	S *	8/2000	Garland	.....	D12/300	9,003,997	B2	4/2015	Gratz et al.
D430,098	S	8/2000	Vuckovis			9,021,972	B1	5/2015	Braver et al.
6,131,340	A	10/2000	Clark et al.			D738,284	S	9/2015	Okuyama et al.
6,354,236	B1	3/2002	Davidson			D743,318	S *	11/2015	Curts
6,701,863	B2	3/2004	Kalhok et al.			2005/0087117	A1	4/2005	Scott et al.
D509,469	S *	9/2005	Longpre	.....	D12/300	2007/0006789	A1	1/2007	Davidson et al.
D514,054	S	1/2006	Blount			2009/0227157	A1	9/2009	Mochizuki
D524,714	S	7/2006	Barbeito			2010/0037814	A1 *	2/2010	Sahr
D548,666	S	8/2007	Laupman			2010/0282154	A1	11/2010	Cook et al.
7,255,054	B1	8/2007	DiGregorio			2010/0319604	A1 *	12/2010	Mayrand
D553,071	S	10/2007	De Rover			2011/0197800	A1	8/2011	Kalil
D574,313	S	8/2008	De Rover			2011/0223815	A1	9/2011	Kinoshita
D587,641	S	3/2009	Bouckaert			2012/0028517	A1	2/2012	Mochizuki et al.
7,591,228	B2	9/2009	Hopper et al.			2013/0055944	A1	3/2013	Poulsen
D642,108	S	7/2011	Gros			2013/0160695	A1 *	6/2013	Gratz
8,443,746	B2	5/2013	Pegg et al.			2013/0247813	A1	9/2013	Pegg et al.
D700,127	S *	2/2014	Fuller, IV	.....	D12/300	2014/0116319	A1	5/2014	Dougherty et al.
D717,226	S	11/2014	Braver et al.			2014/0202372	A1	7/2014	De Basto et al.
D726,635	S *	4/2015	Curts	.....	D12/317	2014/0216320	A1	8/2014	Lee

\* cited by examiner

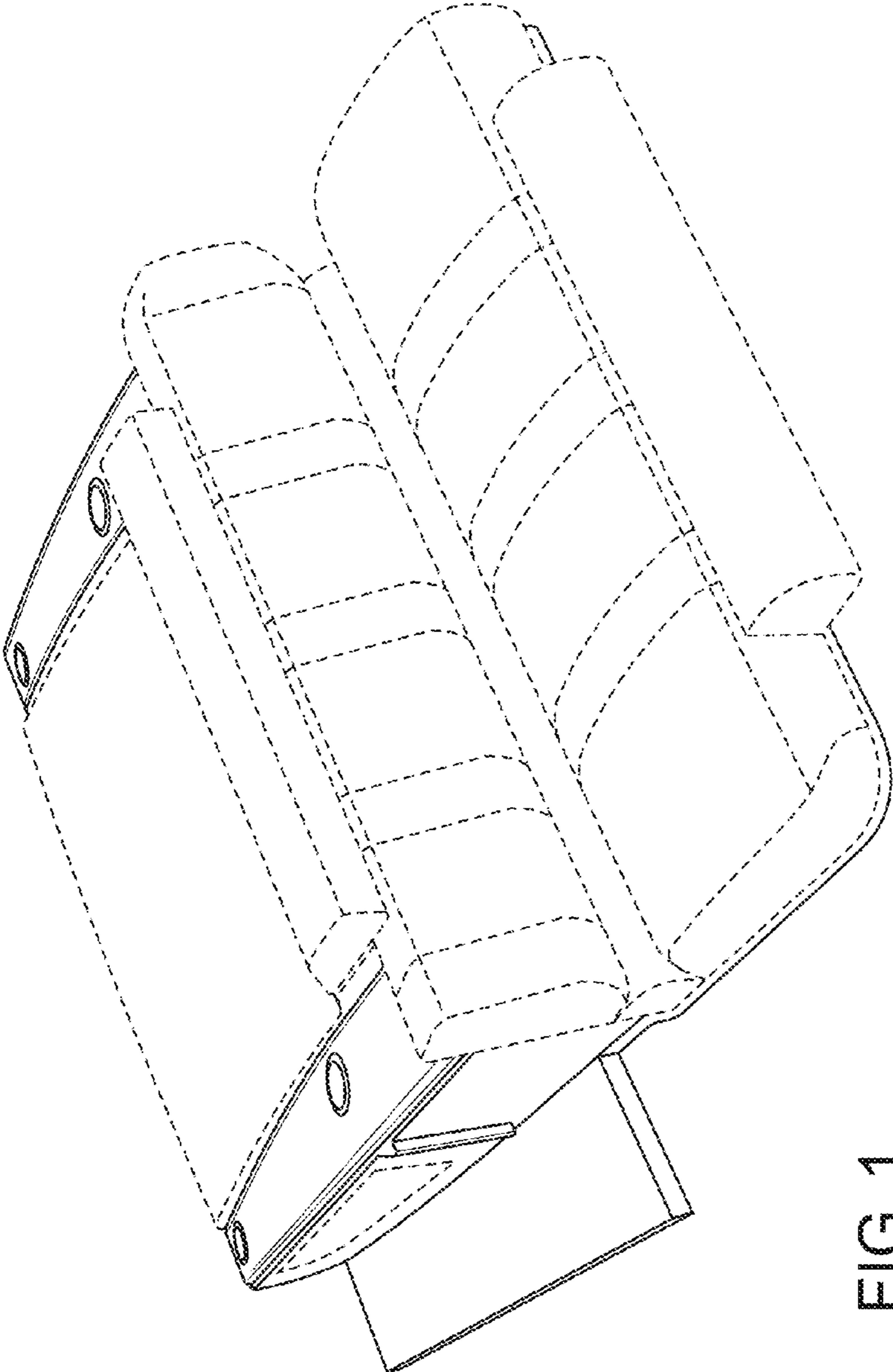


FIG. 1

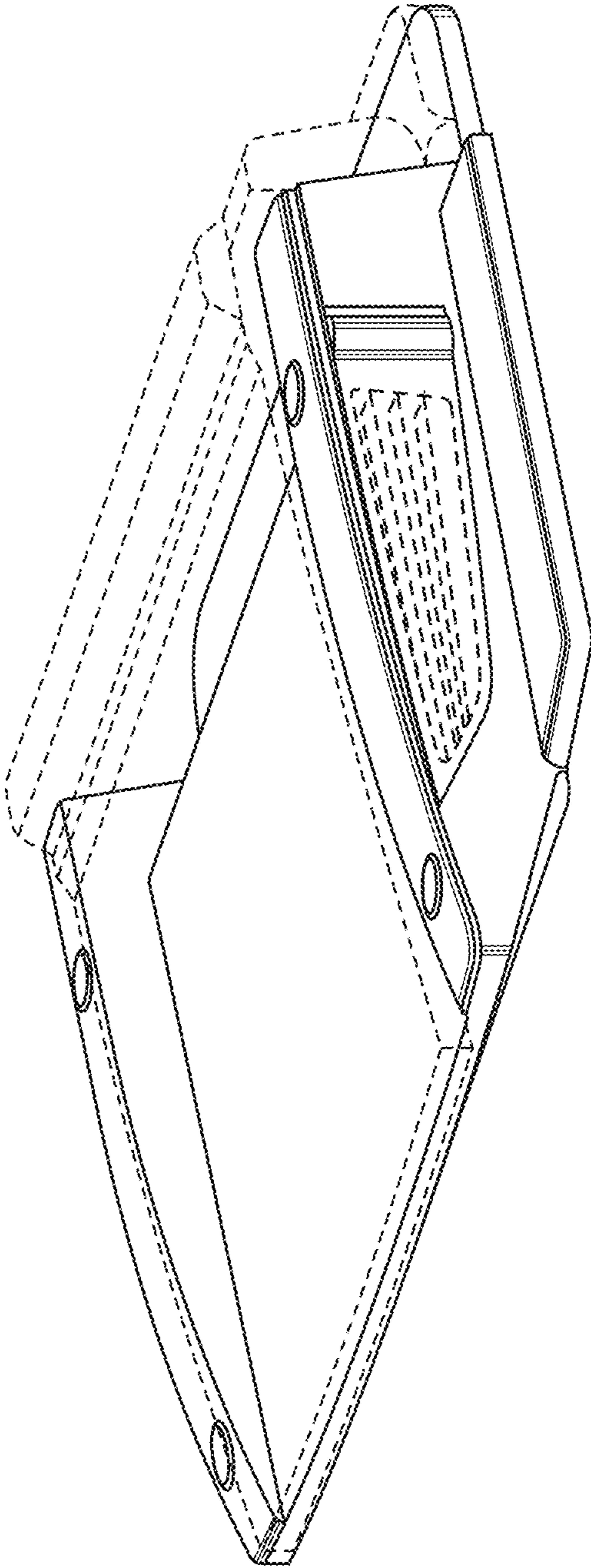
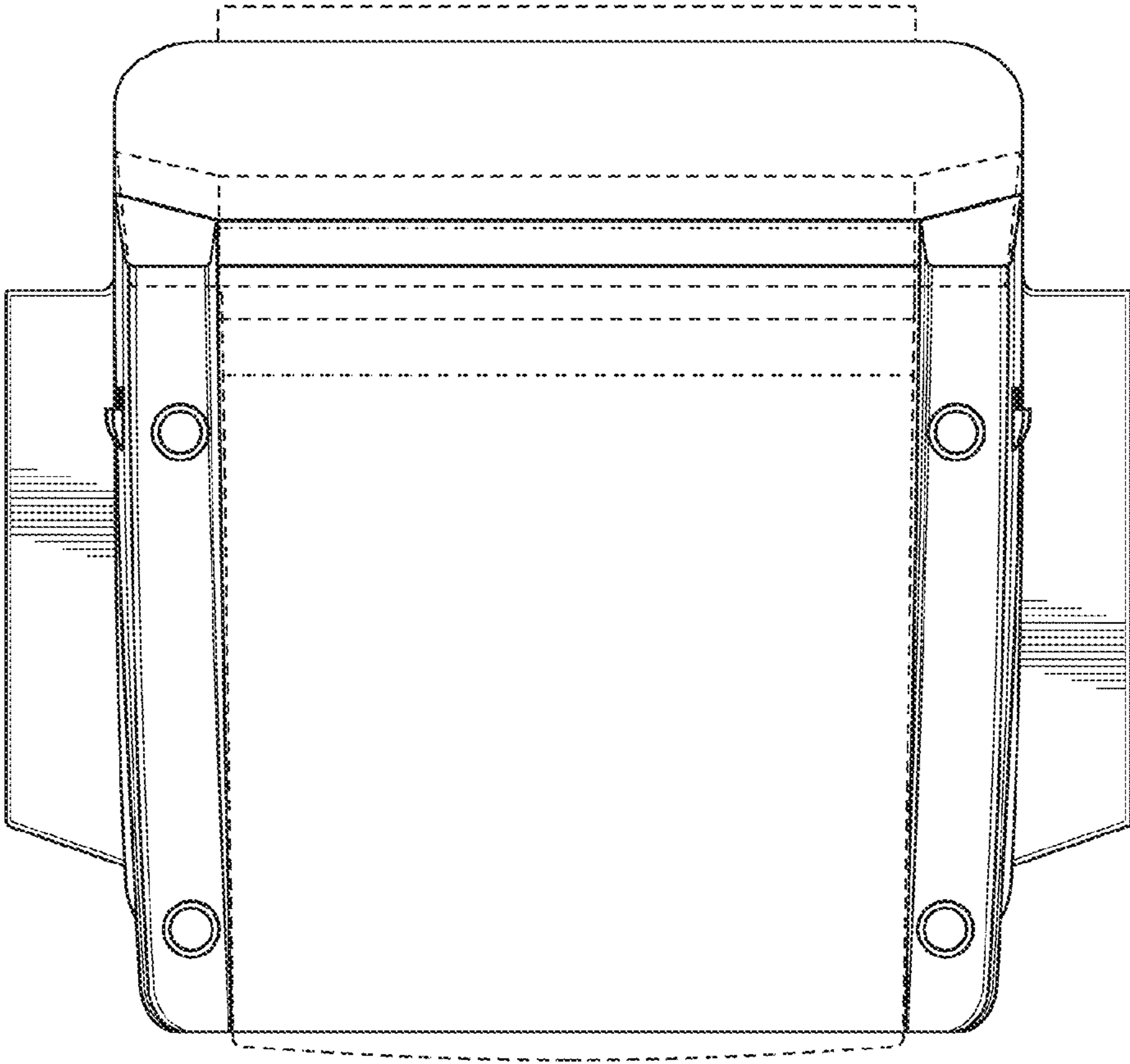


FIG. 2

FIG. 3



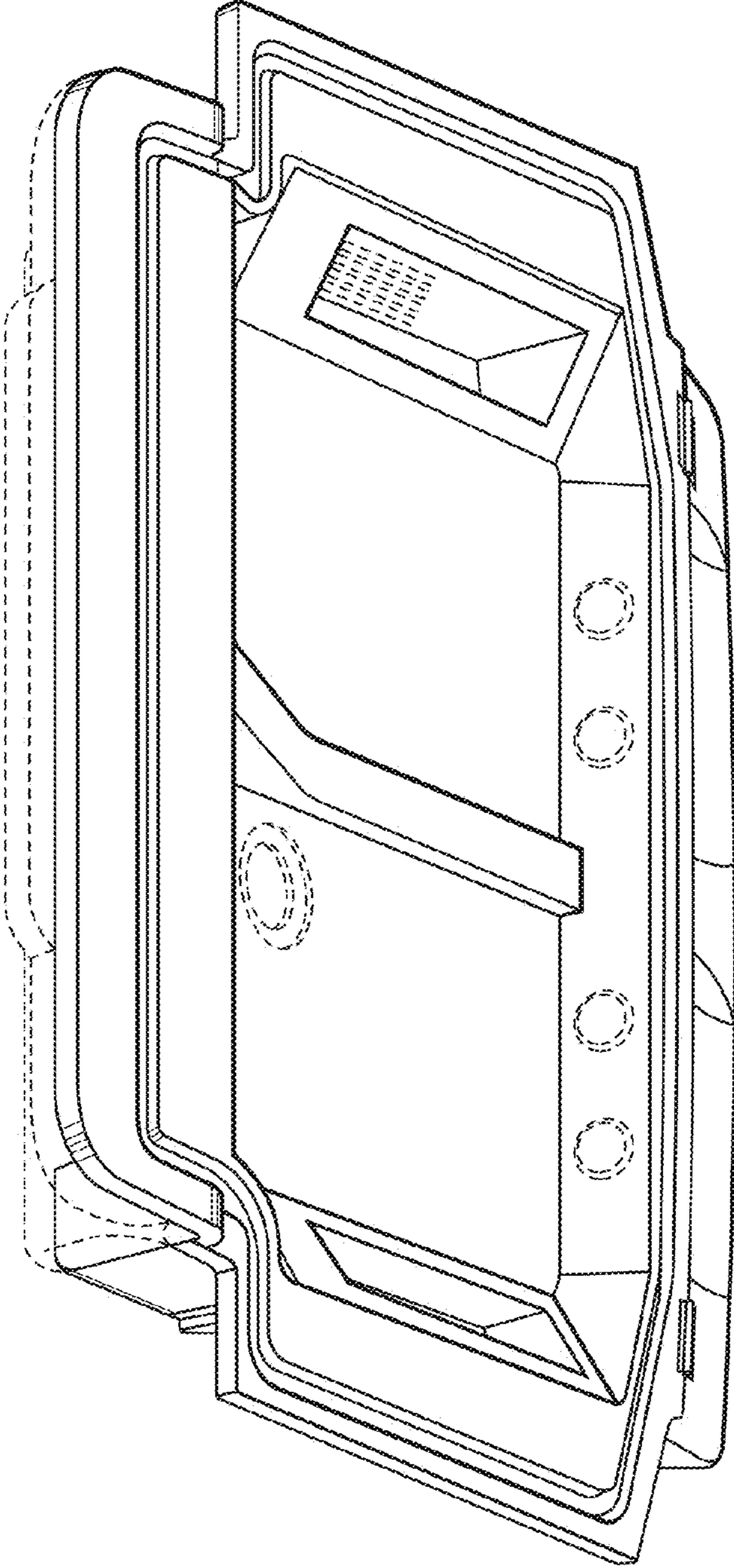


FIG. 4

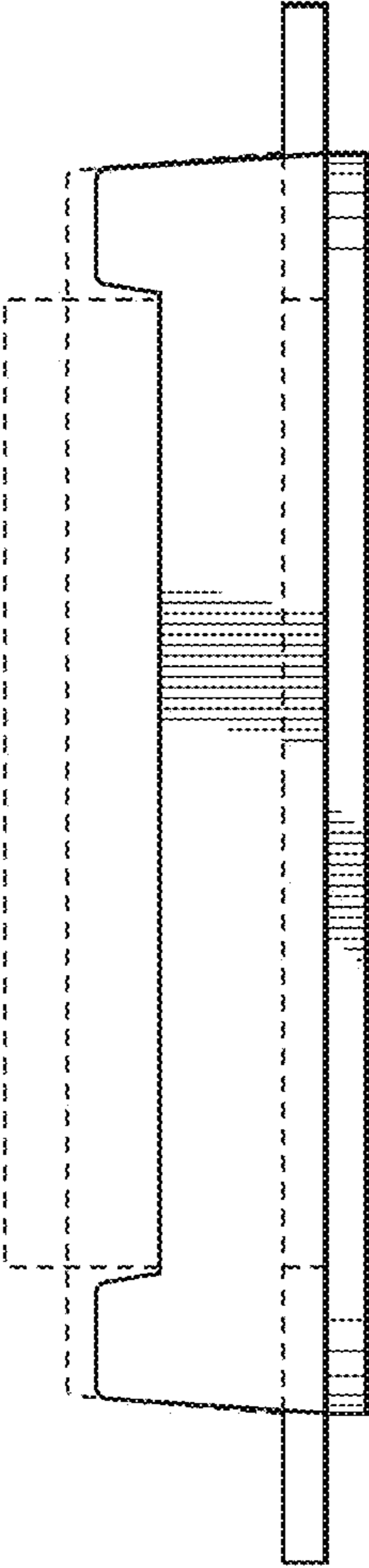


FIG. 5

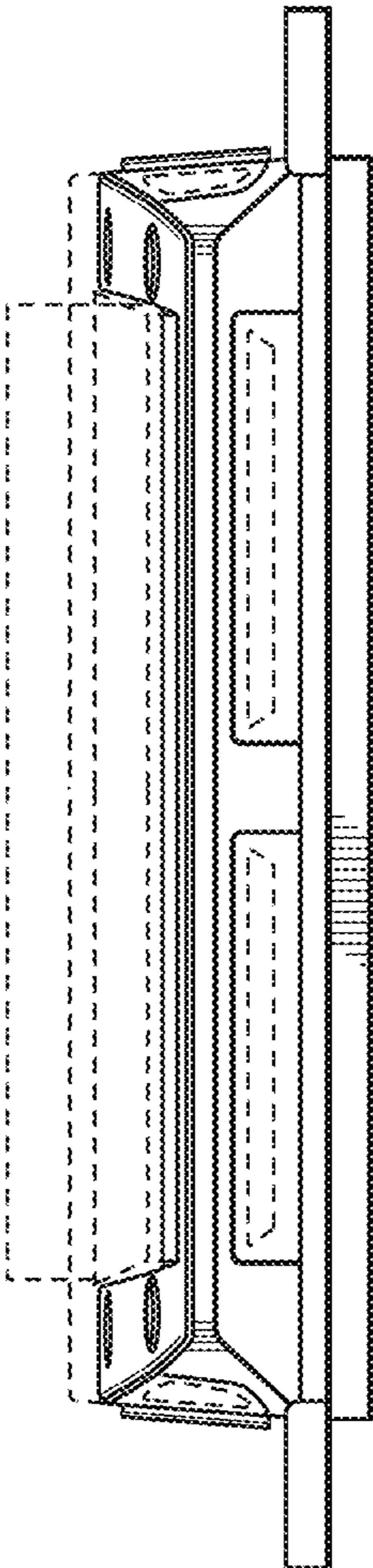


FIG. 6



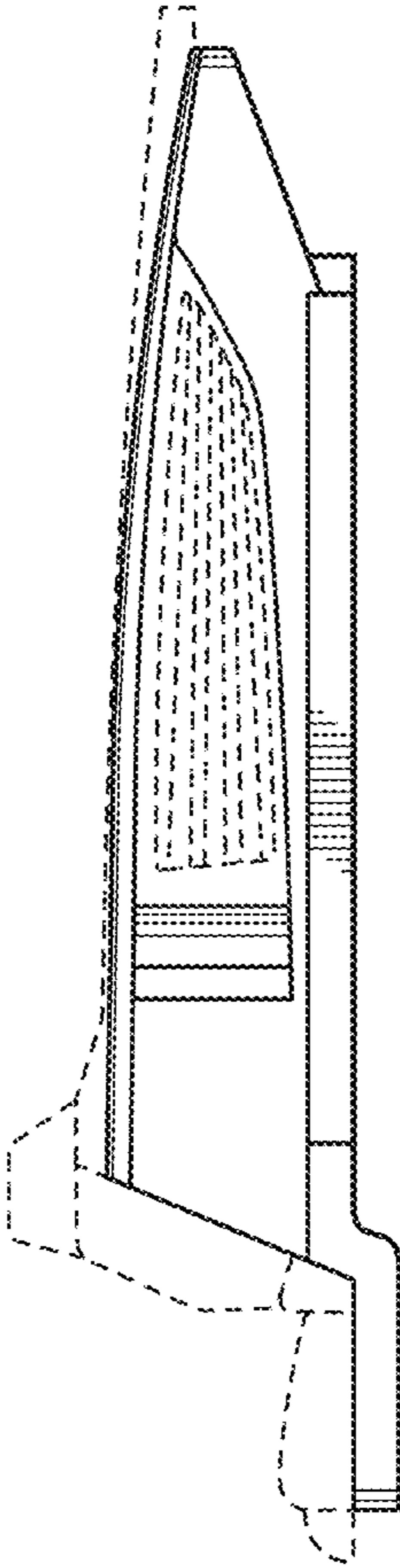


FIG. 7

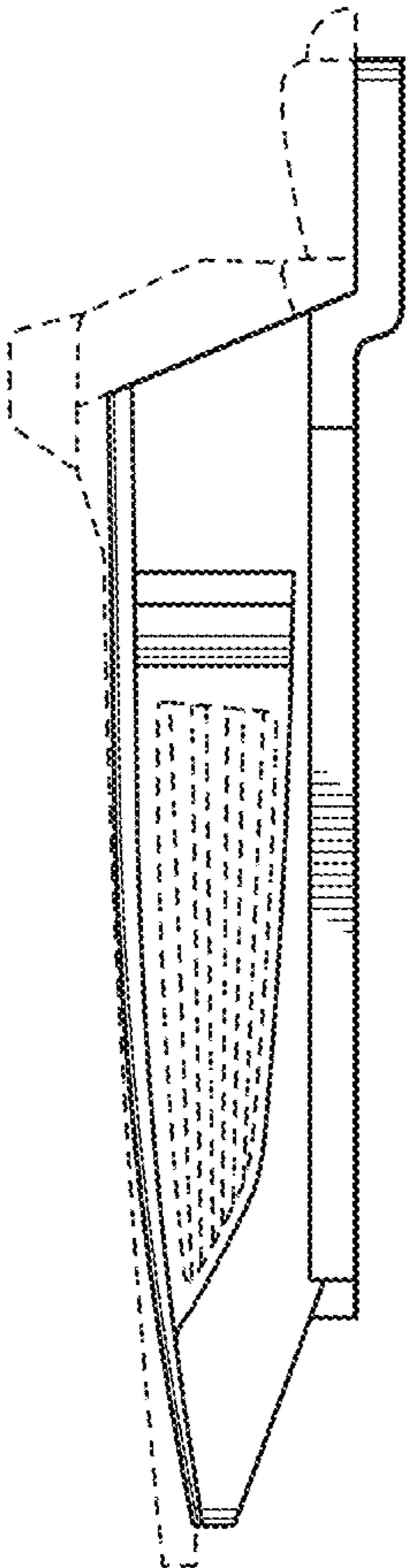


FIG. 8