

US00D761713S

(12) **United States Design Patent**
Hensley

(10) **Patent No.:** **US D761,713 S**
(45) **Date of Patent:** **** Jul. 19, 2016**

- (54) **VEHICLE ROLL CAGE STRUCTURE**
- (71) Applicant: **Hendrick Motorsports Performance Group, LLC**, Charlotte, NC (US)
- (72) Inventor: **Ryan Lee Hensley**, Huntersville, NC (US)
- (73) Assignee: **Hendrick Motorsports Performance Group, LLC**, Charlotte, NC (US)
- (**) Term: **14 Years**
- (21) Appl. No.: **29/497,412**
- (22) Filed: **Jul. 24, 2014**
- (51) **LOC (10) Cl.** **12-06**
- (52) **U.S. Cl.**
USPC **D12/222**
- (58) **Field of Classification Search**
USPC D12/222, 223, 86, 400, 401, 404, 406,
D12/412, 414, 93, 101; D6/552
CPC B60R 27/00
See application file for complete search history.

7,510,199	B2	3/2009	Nash et al.	
7,578,523	B2	8/2009	Kosuge et al.	
D605,555	S	12/2009	Tanaka et al.	
D606,900	S	12/2009	Flores	
D621,328	S *	8/2010	Sistare	D12/222
7,828,364	B2	11/2010	Causey	
7,938,481	B2	5/2011	Kobayashi et al.	
7,950,486	B2	5/2011	Van Bronkhorst et al.	
8,002,331	B2	8/2011	Bowers	
D654,844	S *	2/2012	Pinto	D12/222
D655,236	S *	3/2012	Sanschagrin	
D655,668	S *	3/2012	Levorato	D12/222
8,196,696	B2	6/2012	Karube et al.	
8,205,910	B2	6/2012	Leonard et al.	
8,292,352	B2	10/2012	Furman et al.	
D681,542	S *	5/2013	Oliver	D12/222
2010/0314191	A1	12/2010	Deckard et al.	
2012/0056411	A1	3/2012	Nakamura et al.	
2012/0193163	A1	8/2012	Wimpfheimer et al.	
2012/0217078	A1	8/2012	Kinsman et al.	

* cited by examiner

Primary Examiner — Katrina A Betton
(74) *Attorney, Agent, or Firm* — Nelson Mullins Riley & Scarborough LLP

(57) **CLAIM**
The ornamental design for a vehicle roll cage structure, as shown.

(56) **References Cited**

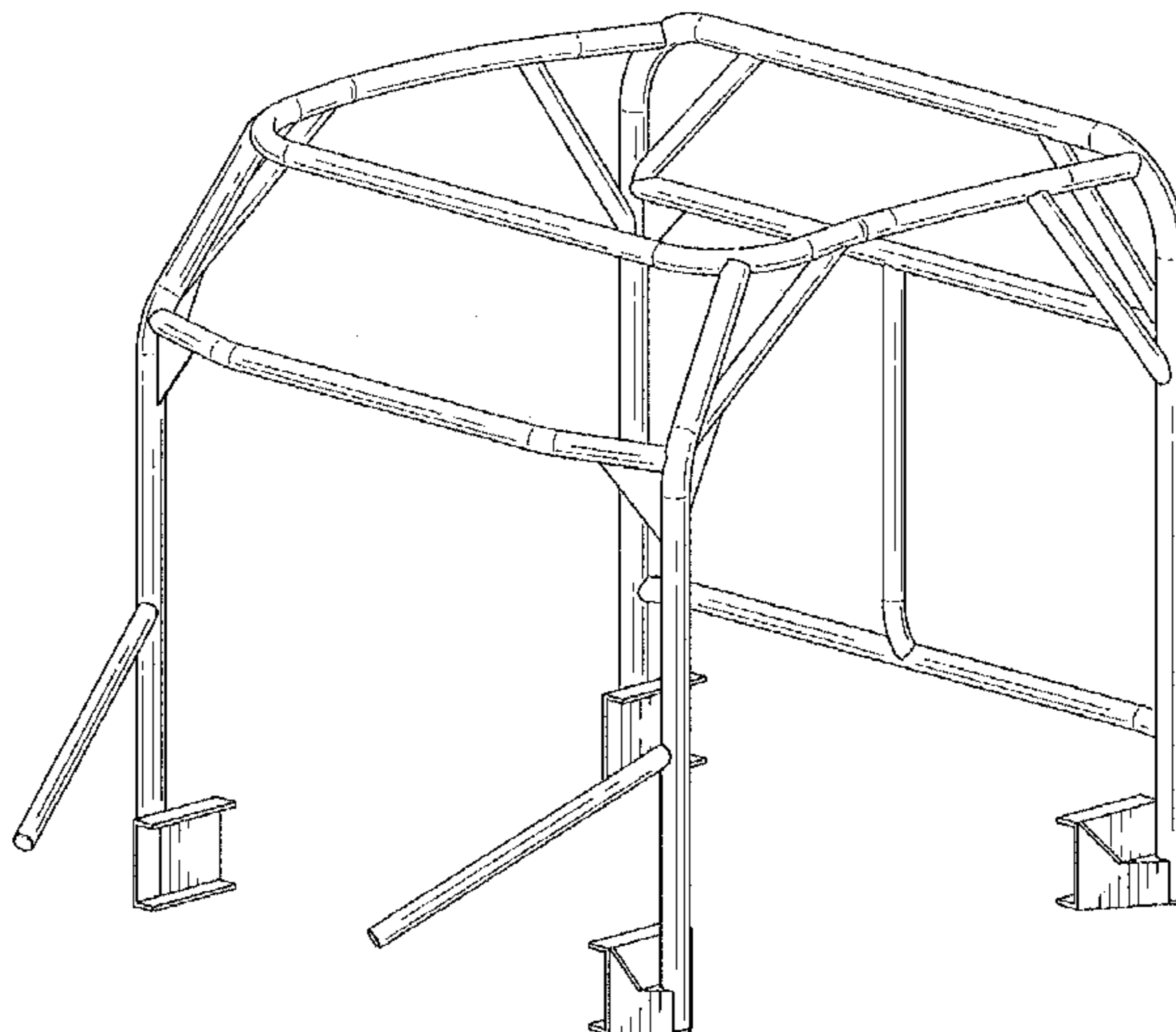
U.S. PATENT DOCUMENTS

RE28,876	E	6/1976	Notestine et al.	
4,148,504	A *	4/1979	Rushing	B60R 21/13 182/153
D257,673	S *	12/1980	Milton	D12/222
D262,790	S	1/1982	Bernier	
D332,239	S	1/1993	Hirata et al.	
D399,476	S *	10/1998	Duncan	D12/14
6,189,962	B1	2/2001	Henderson	
D439,548	S	3/2001	Kouchi et al.	
6,517,111	B2	2/2003	Mizuta	
D513,223	S	12/2005	Saito et al.	
7,140,670	B2	11/2006	Olson	
7,249,798	B2	7/2007	Saito et al.	

DESCRIPTION

FIG. 1 is a front perspective view of a vehicle roll cage structure, showing one embodiment of my new design; FIG. 2 is a rear perspective view thereof; FIG. 3 is a front elevational view thereof; FIG. 4 is a rear elevational view thereof; FIG. 5 is a right side elevational view thereof; FIG. 6 is a left side elevational view thereof; FIG. 7 is a top plan view thereof; and, FIG. 8 is a bottom plan view thereof.

1 Claim, 8 Drawing Sheets



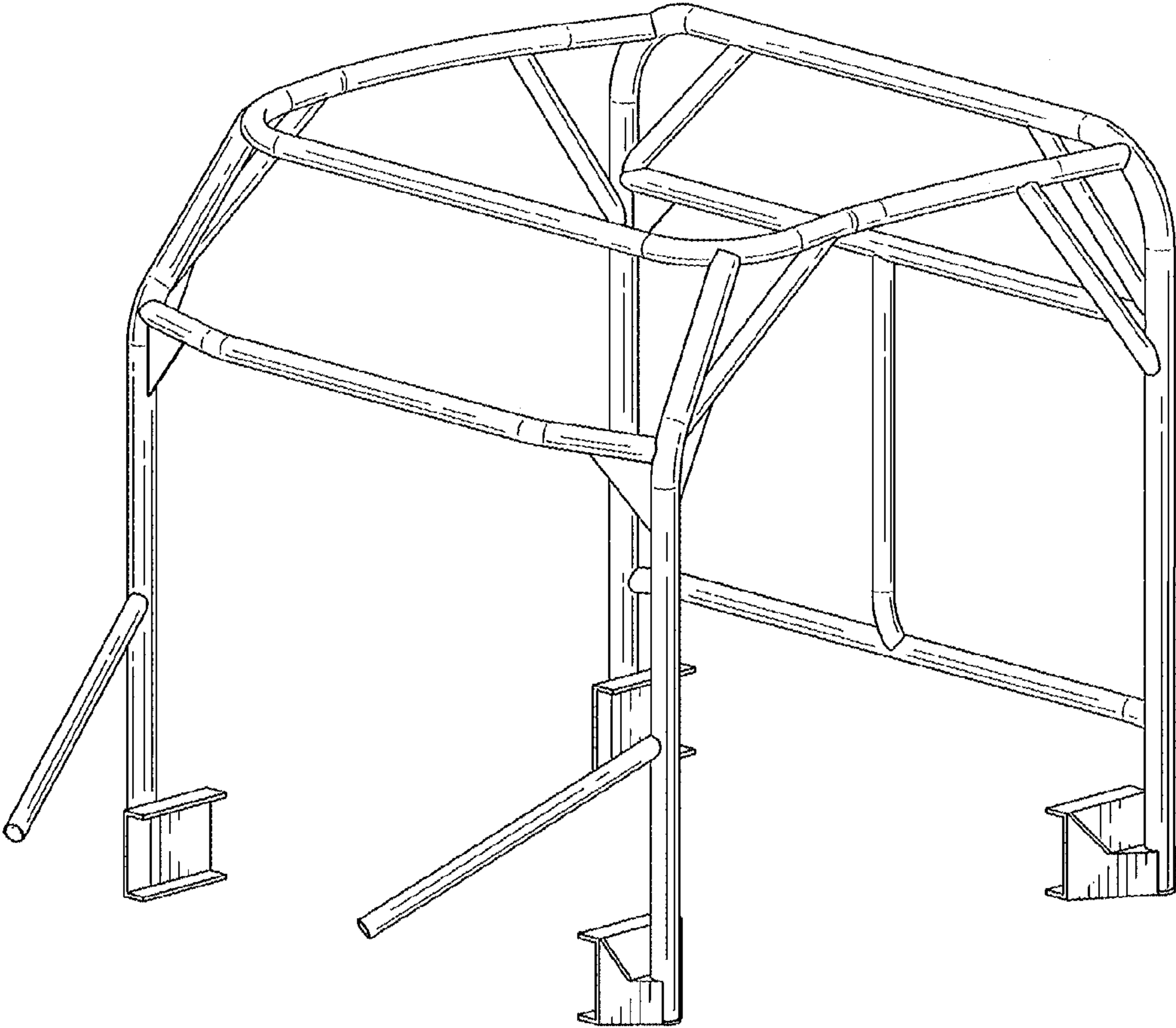


FIG. 1

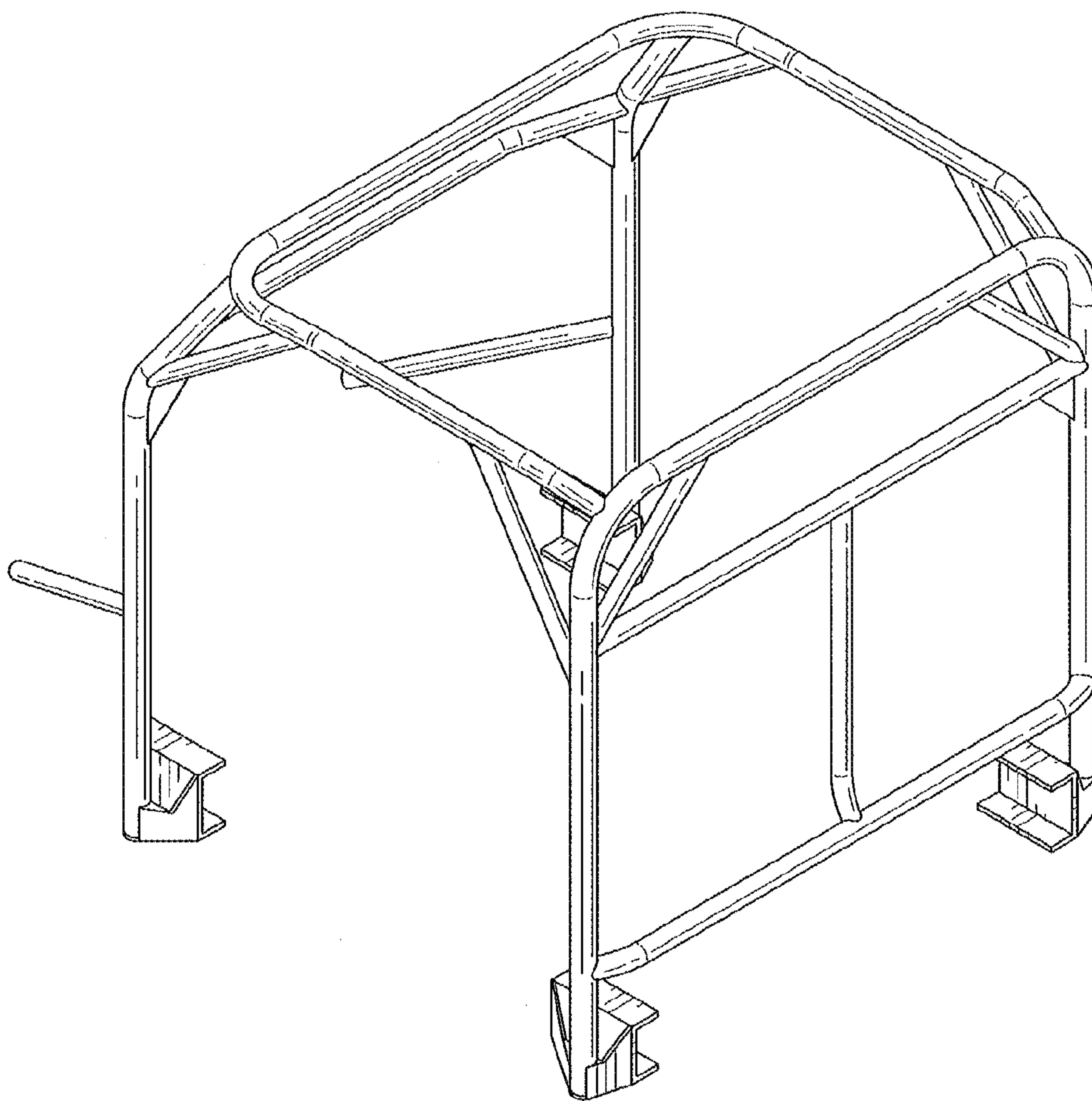


FIG. 2

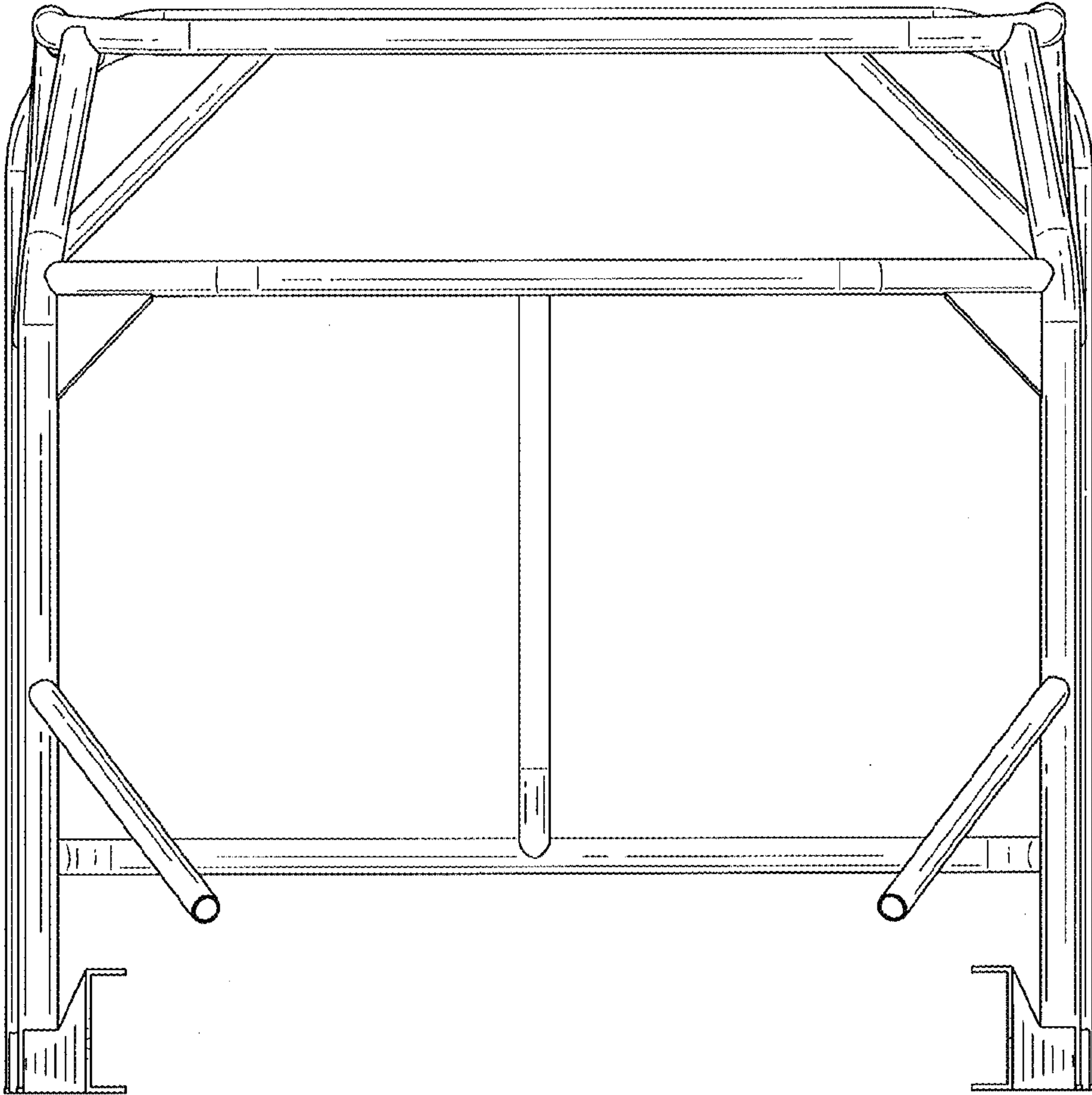


FIG. 3

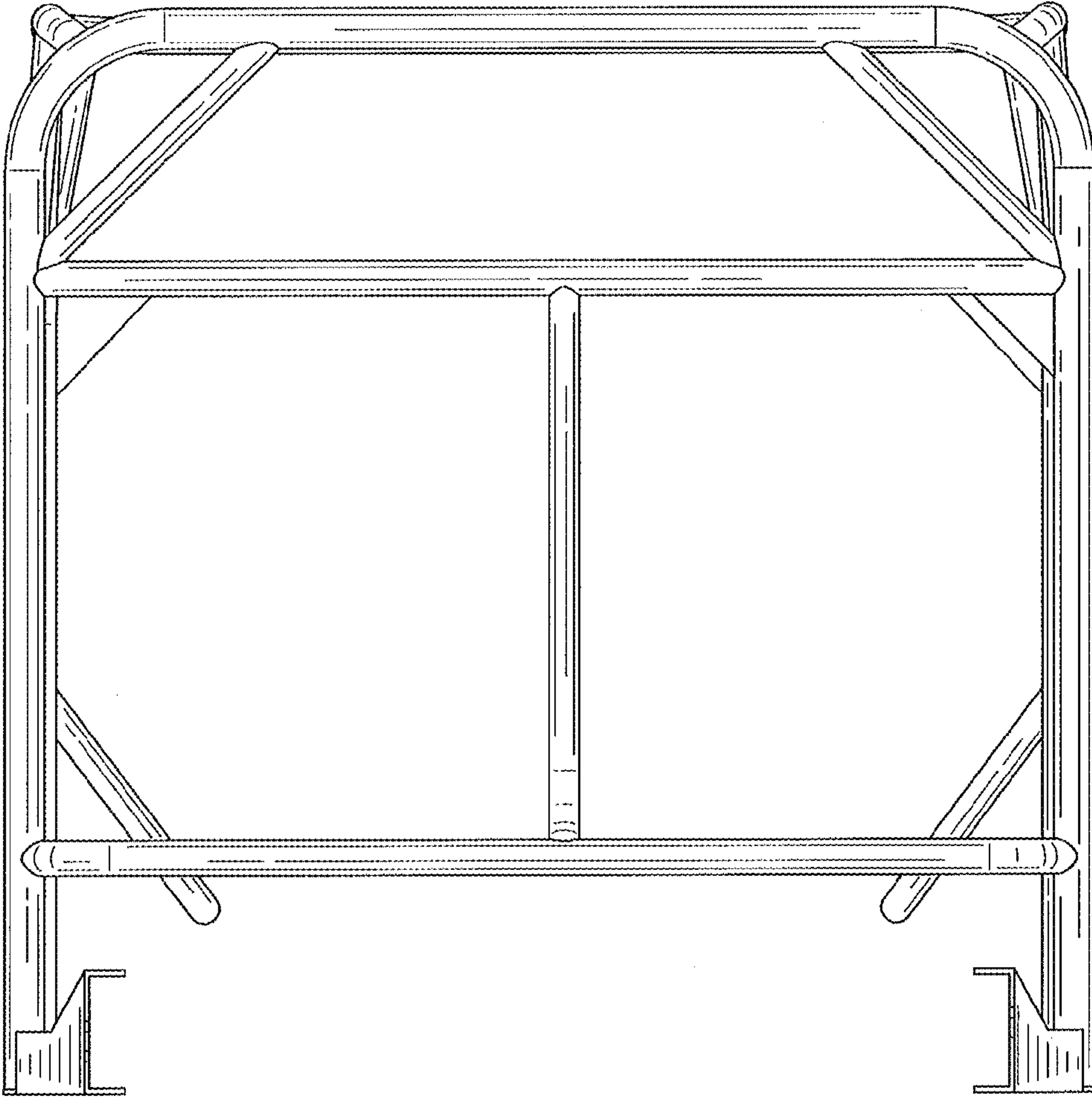


FIG. 4

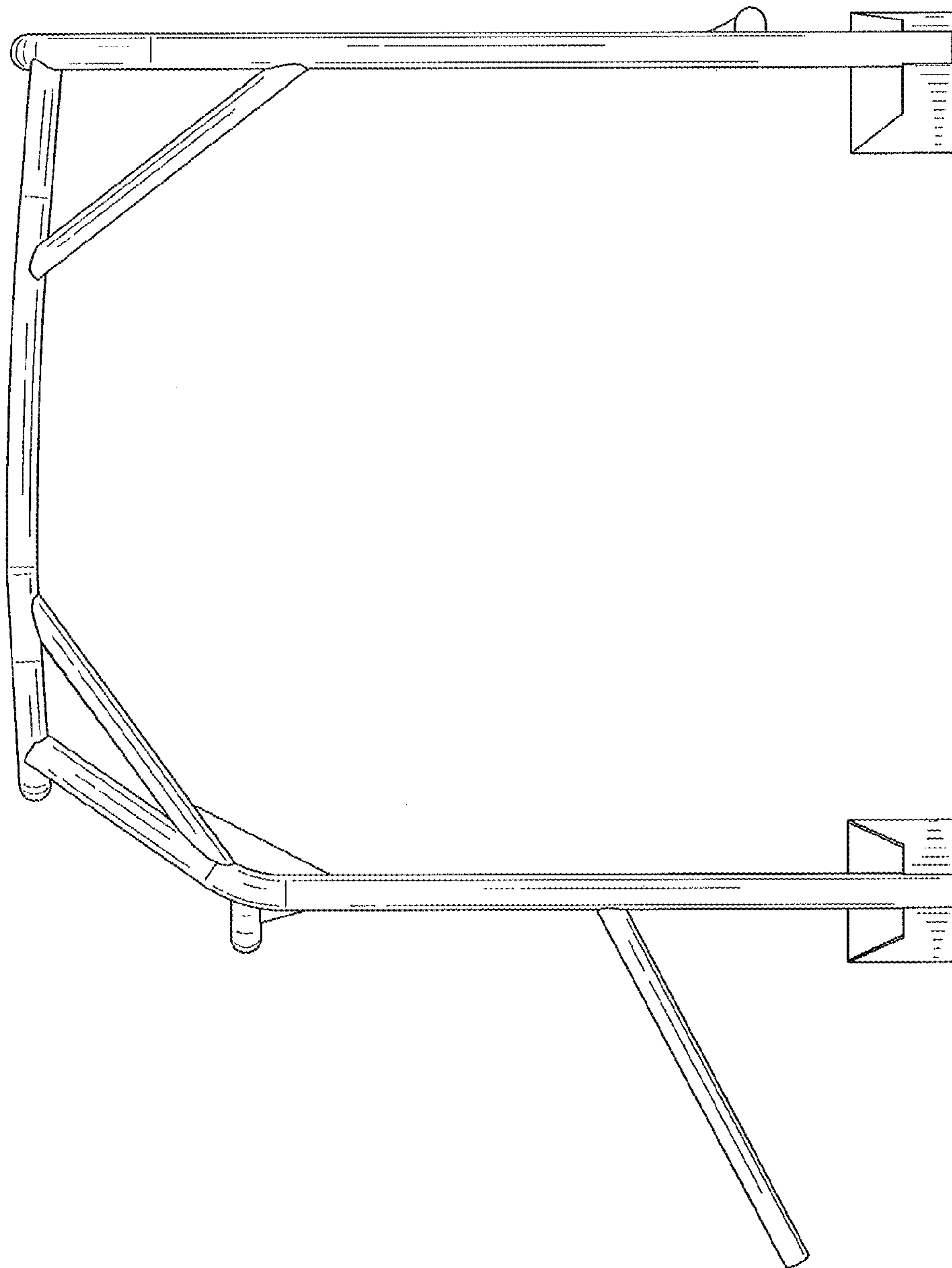


FIG. 5

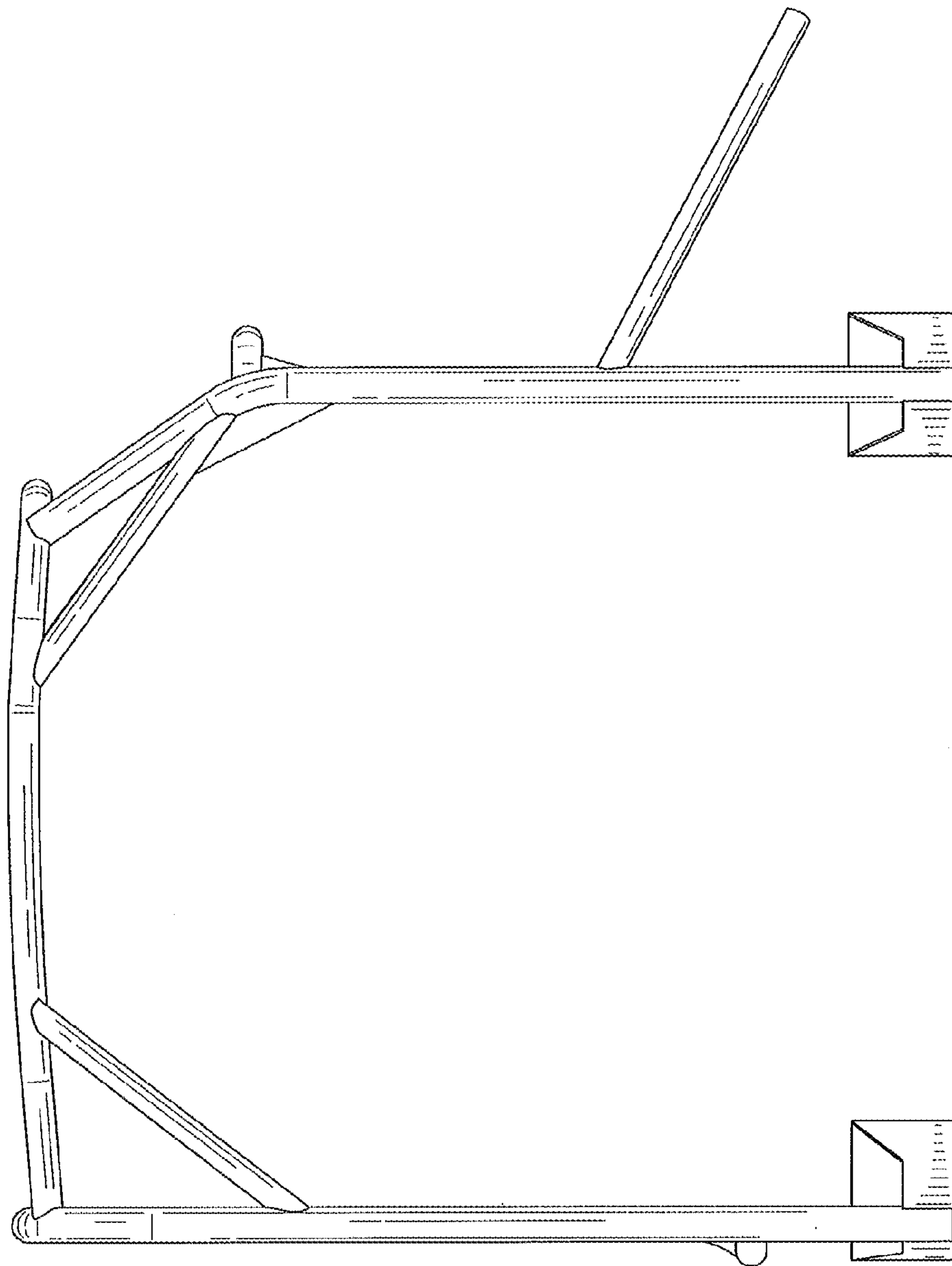


FIG. 6

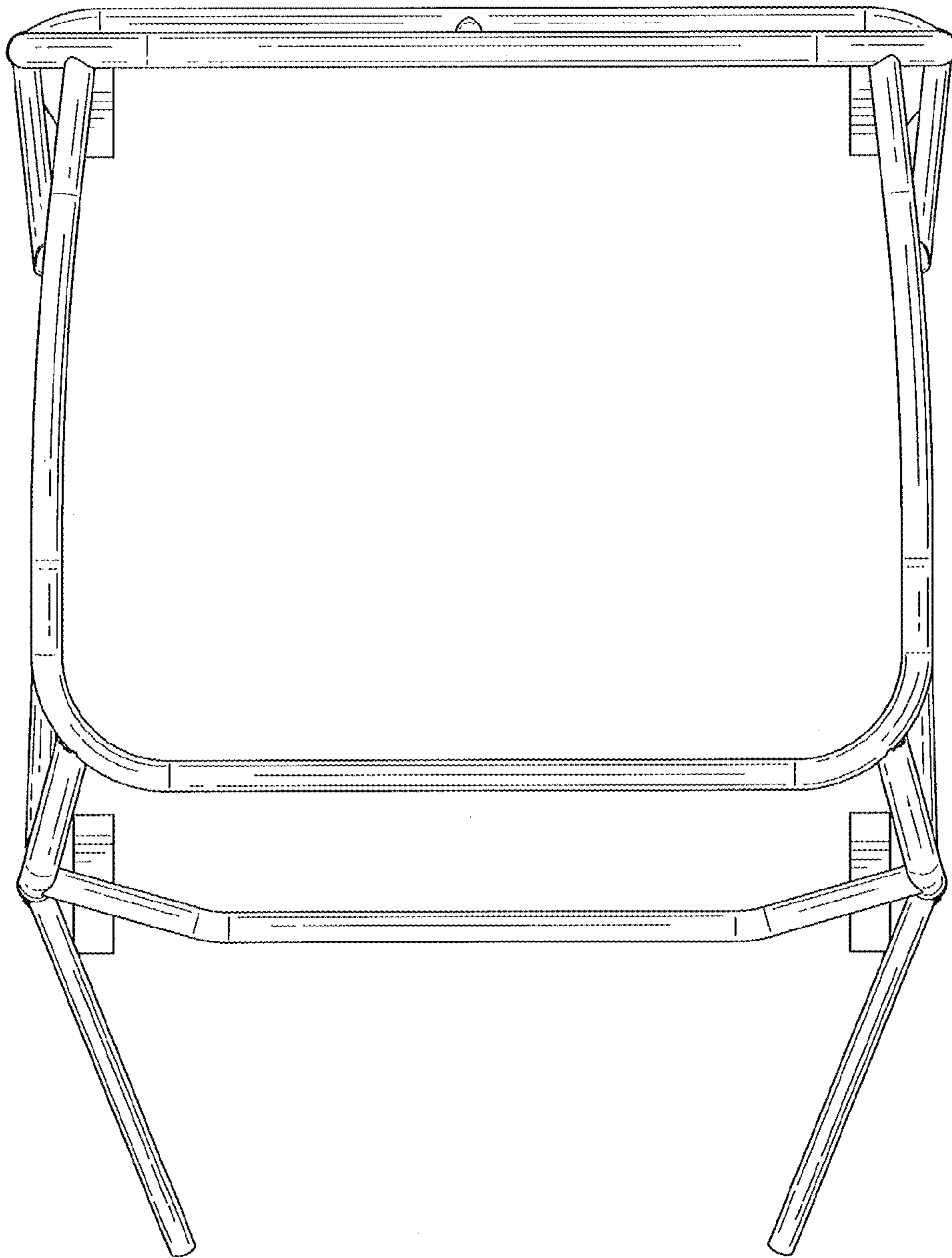


FIG. 7

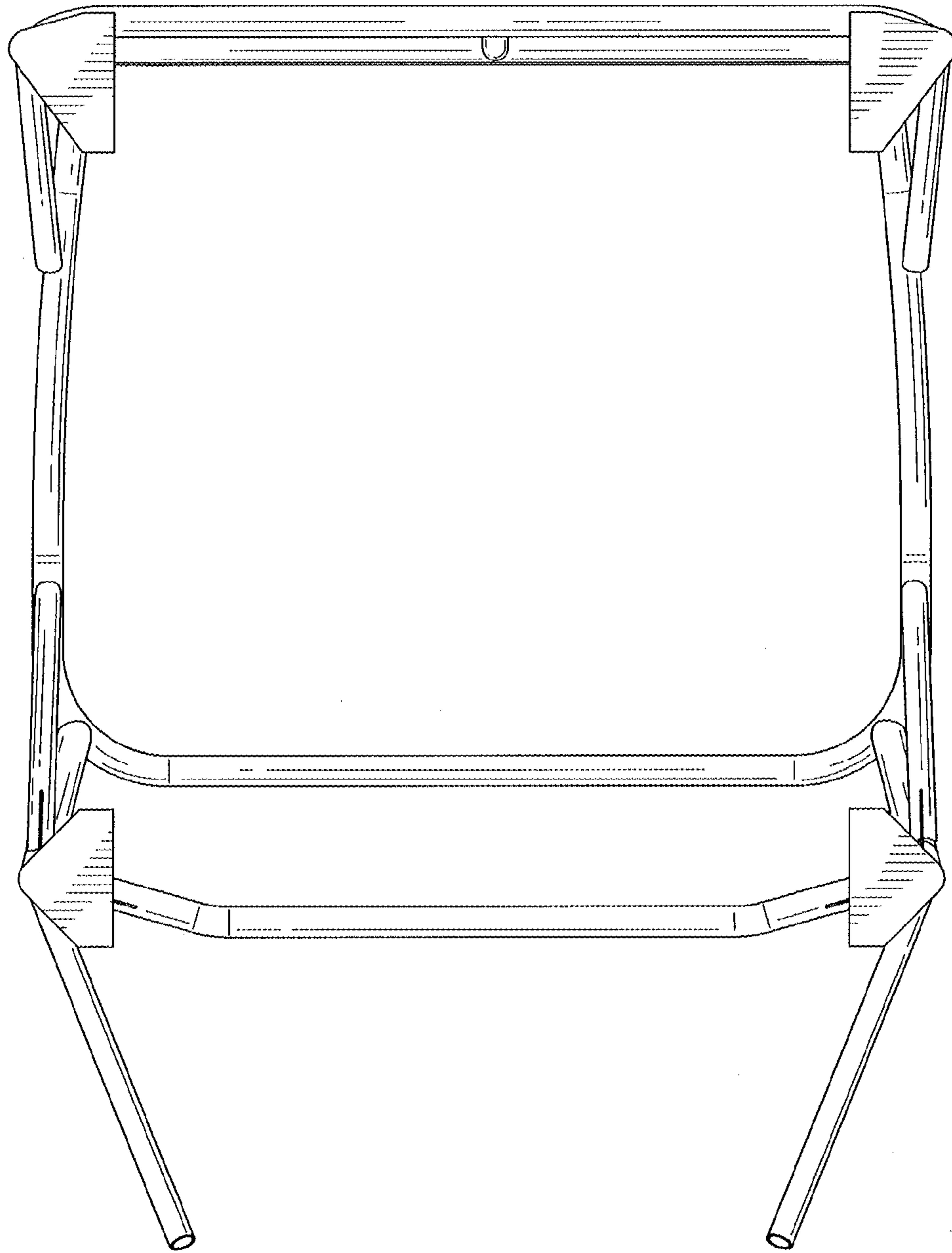


FIG. 8