



US00D761712S

(12) **United States Design Patent**  
**Chung**

(10) **Patent No.:** **US D761,712 S**  
(45) **Date of Patent:** **\*\* \*Jul. 19, 2016**

(54) **WHEEL**

(71) Applicant: **WHEEL PROS, LLC**, Greenwood Village, CO (US)

(72) Inventor: **Suny Chung**, Yorba Linda, CA (US)

(73) Assignee: **WHEEL PROS, LLC**, Greenwood Village, CO (US)

(\*) Notice: This patent is subject to a terminal disclaimer.

(\*\*) Term: **14 Years**

(21) Appl. No.: **29/475,787**

(22) Filed: **Dec. 6, 2013**

**Related U.S. Application Data**

(60) Continuation of application No. 29/439,753, filed on Dec. 14, 2012, now Pat. No. Des. 695,195, which is a division of application No. 29/435,797, filed on Oct. 29, 2012, now Pat. No. Des. 702,172.

(51) **LOC (10) Cl.** ..... **12-16**

(52) **U.S. Cl.**  
USPC ..... **D12/213**

(58) **Field of Classification Search**  
USPC ..... D12/204–213  
CPC ..... B60B 7/00; B60B 7/02; B60B 7/04; B60B 7/01; B60B 7/06; B60B 3/02; B60B 3/04; B60B 3/06; B60B 3/10; B60B 1/00; B60B 1/08; B60B 1/10; B60B 1/12

See application file for complete search history.

(56) **References Cited**

**U.S. PATENT DOCUMENTS**

D695,195 S *	12/2013	Chung	.....	D12/211
D706,702 S *	6/2014	Chung	.....	D12/211
D709,017 S *	7/2014	Chung	.....	D12/211
D722,939 S *	2/2015	Chung	.....	D12/213
D735,631 S *	8/2015	Chung	.....	D12/211

\* cited by examiner

*Primary Examiner* — Stacia Cadmus

(74) *Attorney, Agent, or Firm* — Garcia-Zamor IP Law; Ruy M. Garcia-Zamor

(57) **CLAIM**

The ornamental design for a wheel, as shown and described.

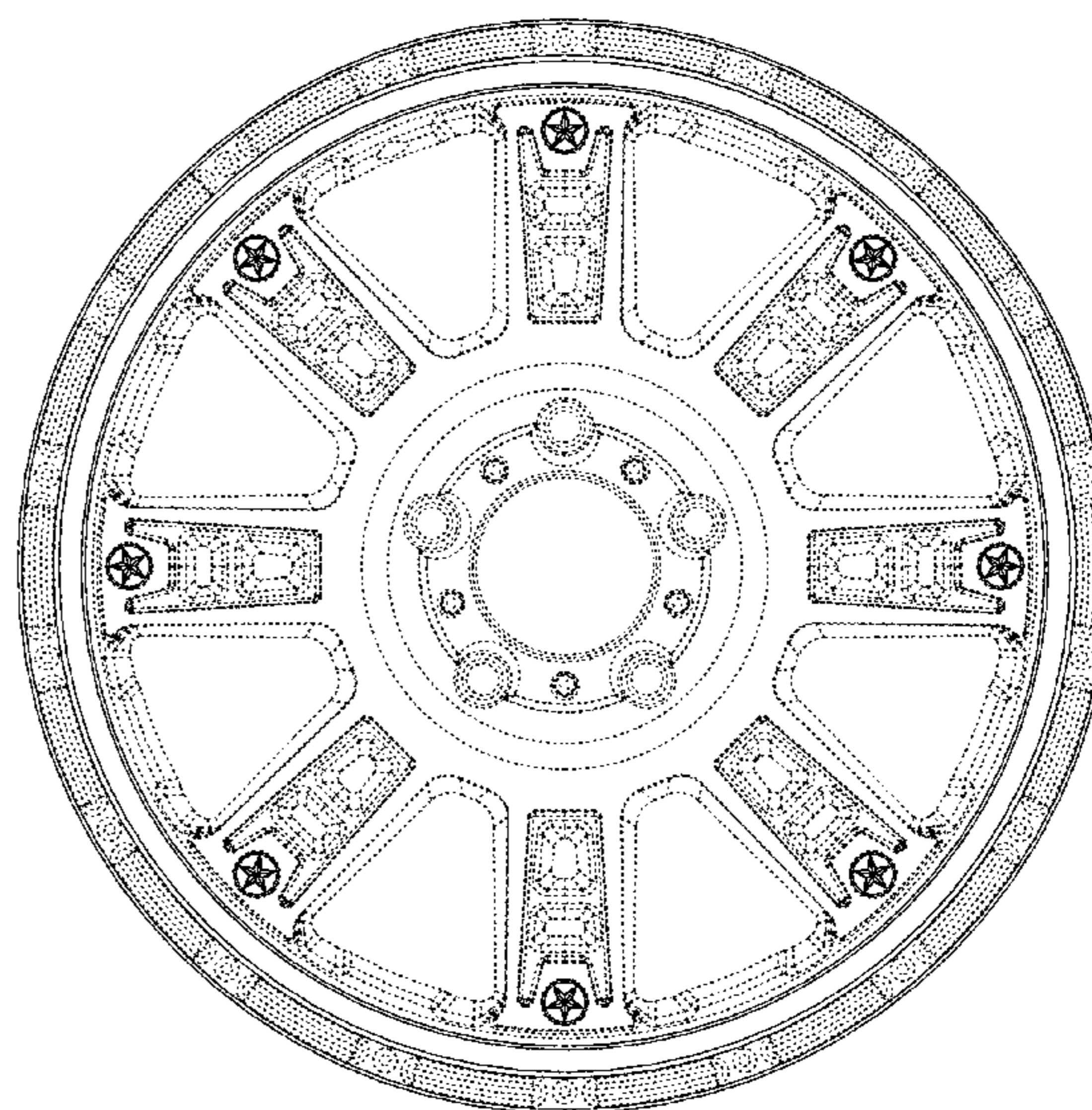
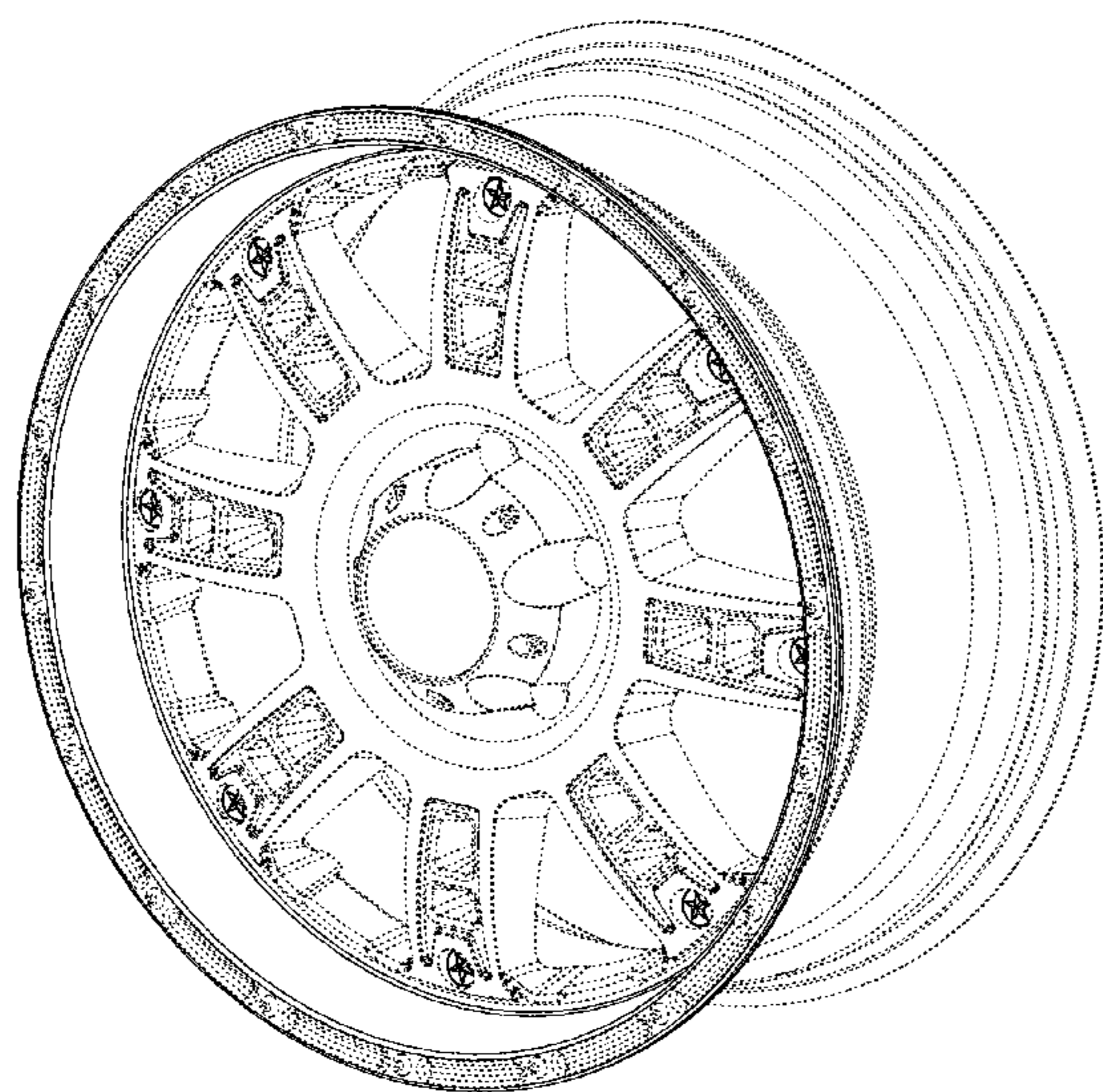
**DESCRIPTION**

FIG. 1 is a perspective view of a wheel showing my new design; and,

FIG. 2 is a front elevational view of the wheel of FIG. 1, those features not shown in the views of FIGS. 1 and 2 are disclaimed as forming no part of the claimed design.

The broken line showing of non-ornamental portions of a wheel is included for the purpose of illustrating the relative position along a radius of a wheel at which the claimed design is positioned and forms no part of the claimed design.

**1 Claim, 2 Drawing Sheets**





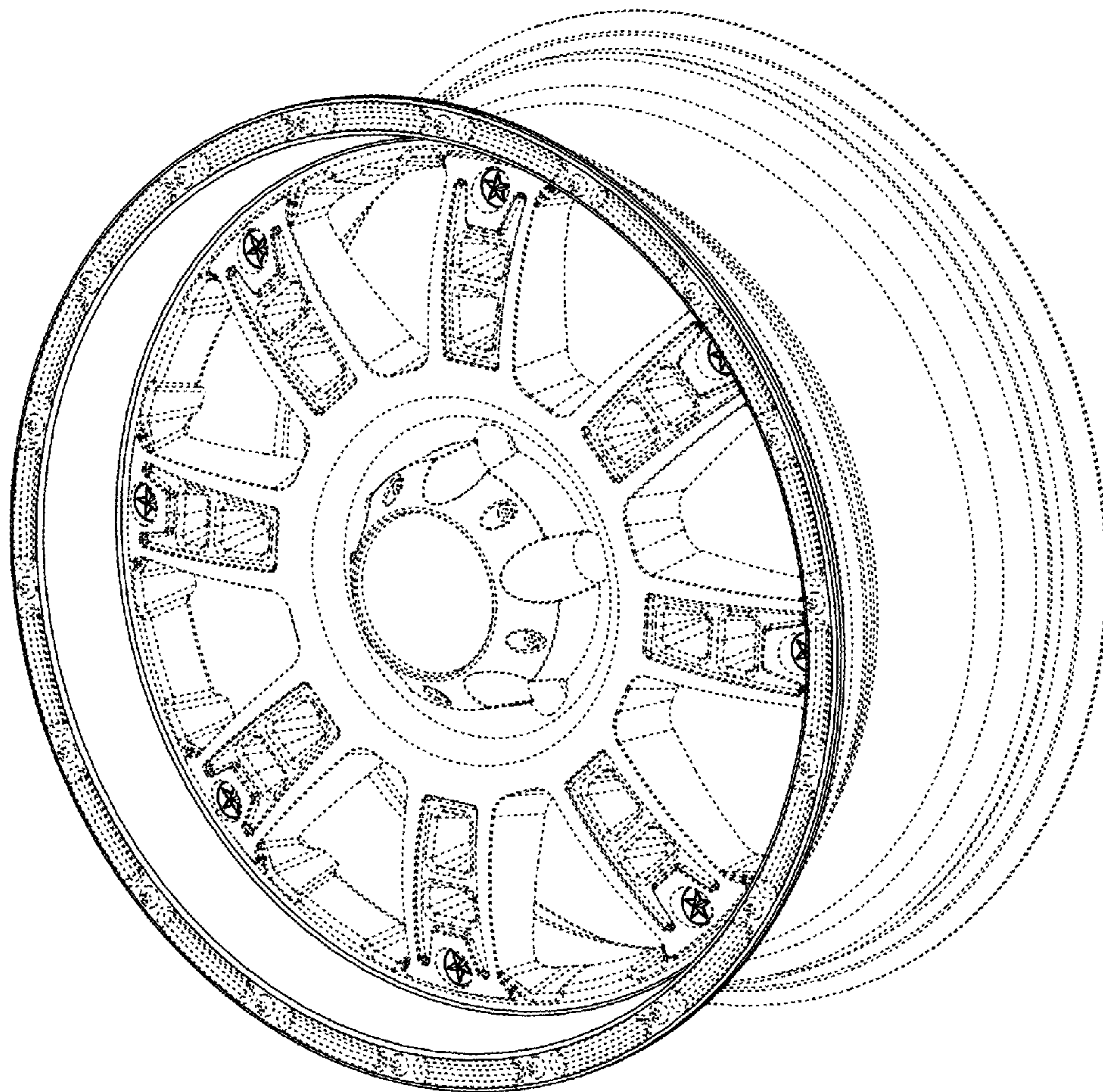


FIG. 1

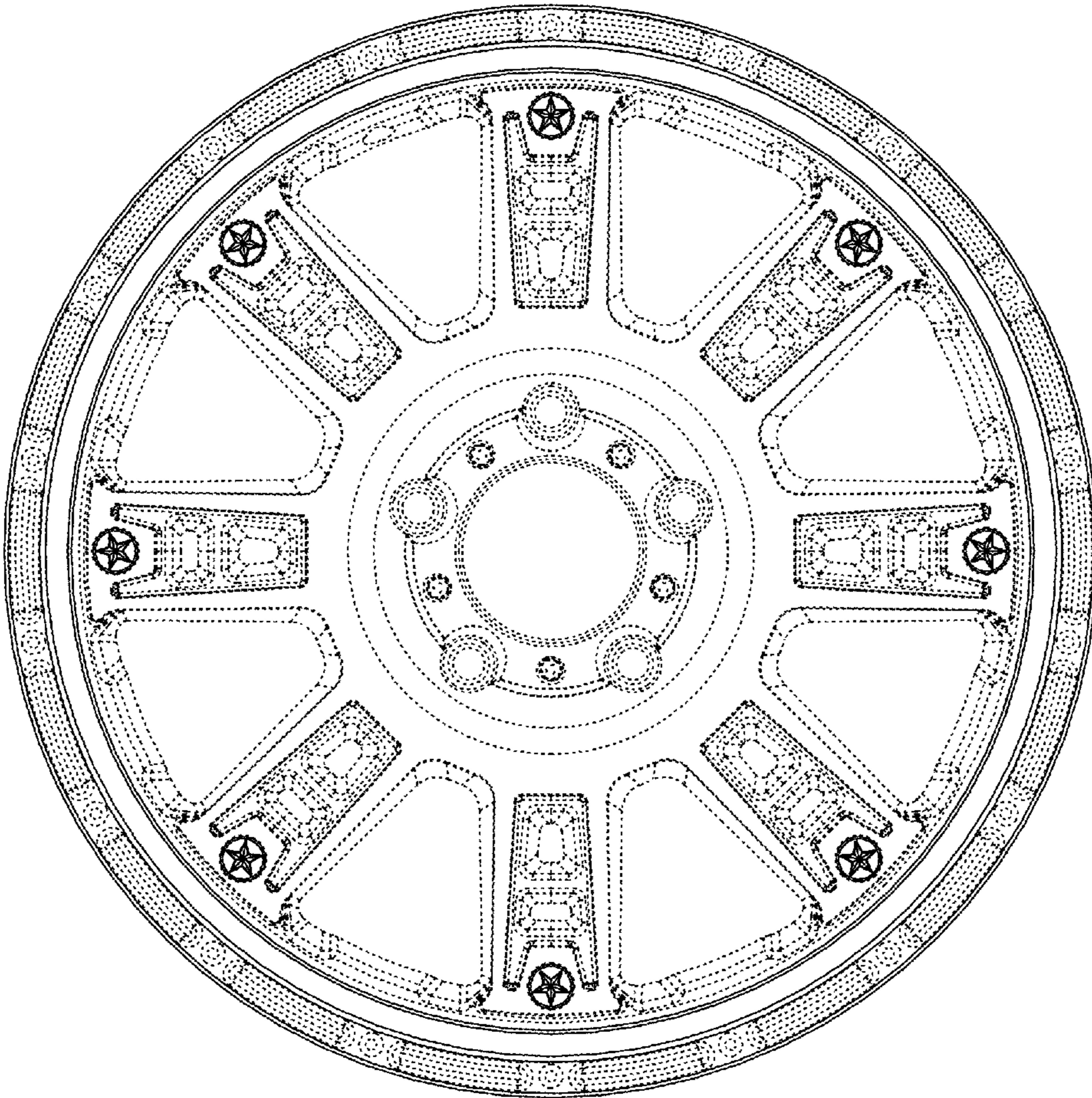


FIG. 2