



US00D761711S

(12) **United States Design Patent**
Wolff et al.

(10) **Patent No.:** **US D761,711 S**
(45) **Date of Patent:** **** Jul. 19, 2016**

(54) **VEHICLE WHEEL**

(71) Applicant: **Ford Global Technologies, LLC,**
Dearborn, MI (US)

(72) Inventors: **Max Wolff**, Birmingham, MI (US);
Solomon Song, Farmington Hills, MI
(US); **Jesse Diephuis**, West Bloomfield,
MI (US)

(73) Assignee: **Ford Global Technologies, LLC,**
Dearborn, MI (US)

(**) Term: **15 Years**

(21) Appl. No.: **29/544,867**

(22) Filed: **Nov. 6, 2015**

(51) **LOC (10) Cl.** **12-16**

(52) **U.S. Cl.**
USPC **D12/209**

(58) **Field of Classification Search**
USPC D12/204–213
CPC B60B 7/00; B60B 7/02; B60B 7/04;
B60B 7/01; B60B 7/06; B60B 3/02; B60B
3/04; B60B 3/06; B60B 3/10; B60B 1/00;
B60B 1/08; B60B 1/10; B60B 1/12
See application file for complete search history.

(56) **References Cited**

U.S. PATENT DOCUMENTS

D419,944 S *	2/2000	Chen	D12/209
D440,933 S *	4/2001	Vian	D12/209
D474,440 S *	5/2003	Oh	D12/211
D519,900 S *	5/2006	Francis	D12/209
D533,496 S *	12/2006	Bogani	D12/209
D535,605 S *	1/2007	Guevara	D12/211
D567,166 S *	4/2008	Bogani	D12/209

D574,311 S *	8/2008	Chung	D12/209
D591,662 S *	5/2009	Imai	D12/211
D597,014 S *	7/2009	Nissl	D12/211
D619,071 S *	7/2010	Christensen	D12/211
D621,771 S *	8/2010	Truebsbach	D12/211
D630,565 S *	1/2011	Ebel	D12/209
D644,158 S *	8/2011	Nissl	D12/211
D651,959 S *	1/2012	Groom	D12/209
D655,657 S *	3/2012	Juergens	D12/209
D673,103 S	12/2012	Song et al.		
D683,689 S *	6/2013	Fahr-Becker	D12/211
D684,913 S *	6/2013	Chen	D12/209
D686,135 S *	7/2013	Borkert	D12/211
D695,194 S *	12/2013	Kong	D12/211
D698,720 S *	2/2014	Farh-Becker	D12/211
D712,814 S *	9/2014	Starr, Jr.	D12/209
D713,316 S	9/2014	Song et al.		
D718,206 S	11/2014	Song et al.		
D725,568 S *	3/2015	Hodges	D12/209
D726,628 S *	4/2015	Kong	D12/211
D745,842 S *	12/2015	Wheel	D12/209

OTHER PUBLICATIONS

<http://www.fordinsideneews.com> 2017 Lincoln MKZ on the streets,
dated Apr. 15, 2015.
<http://www.caranddriver.com/news/2017-lincoln-mkz-spy-photos->
news by: Alexander Stoklosa dated May 2015.

* cited by examiner

Primary Examiner — Stacia Cadmus

(74) *Attorney, Agent, or Firm* — Damian Porcari

(57) **CLAIM**

The ornamental design for a vehicle wheel, as shown and described.

DESCRIPTION

FIG. 1 is a top perspective view of a vehicle wheel; and,
FIG. 2 is a front elevational view thereof.

1 Claim, 2 Drawing Sheets

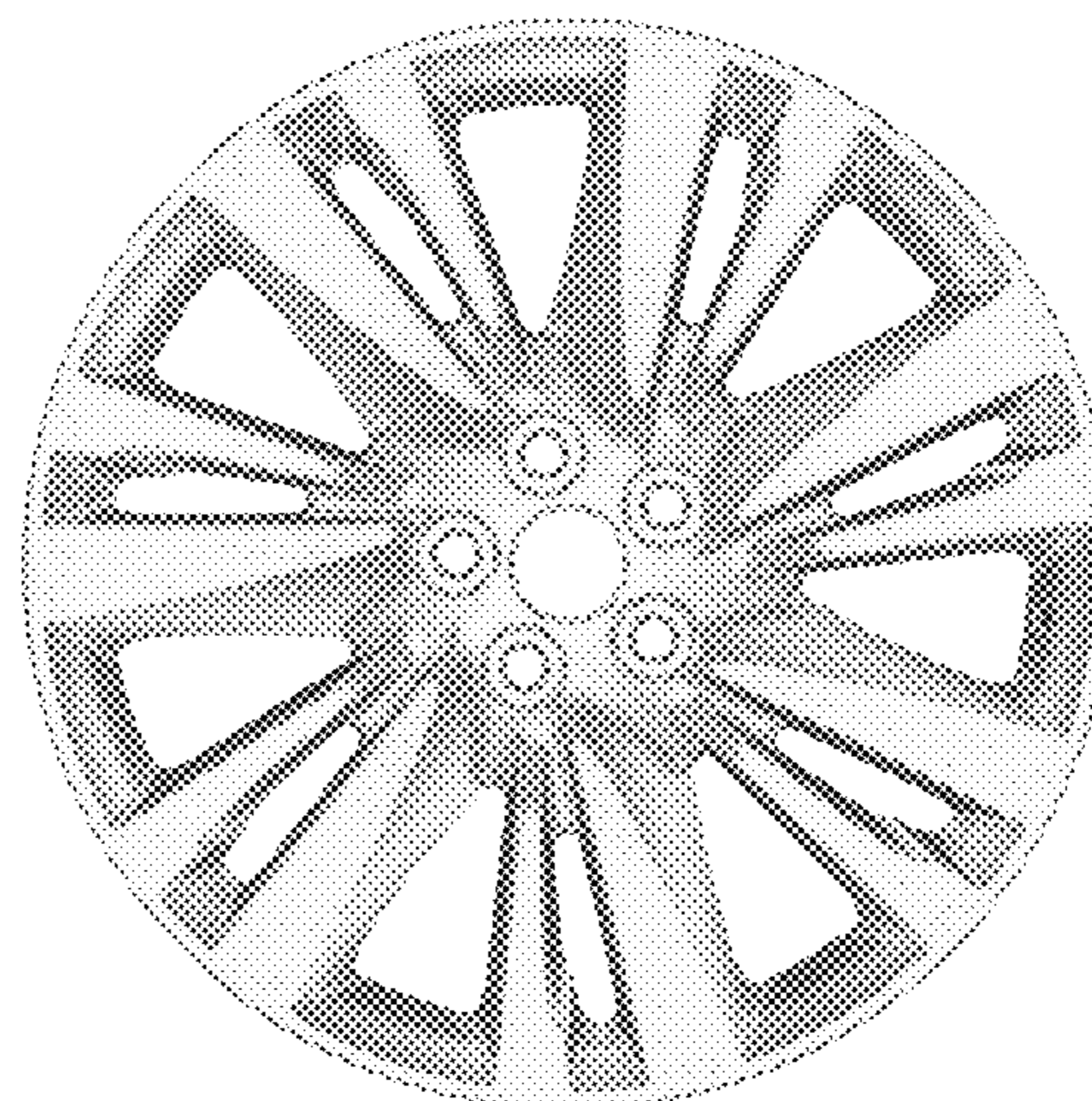
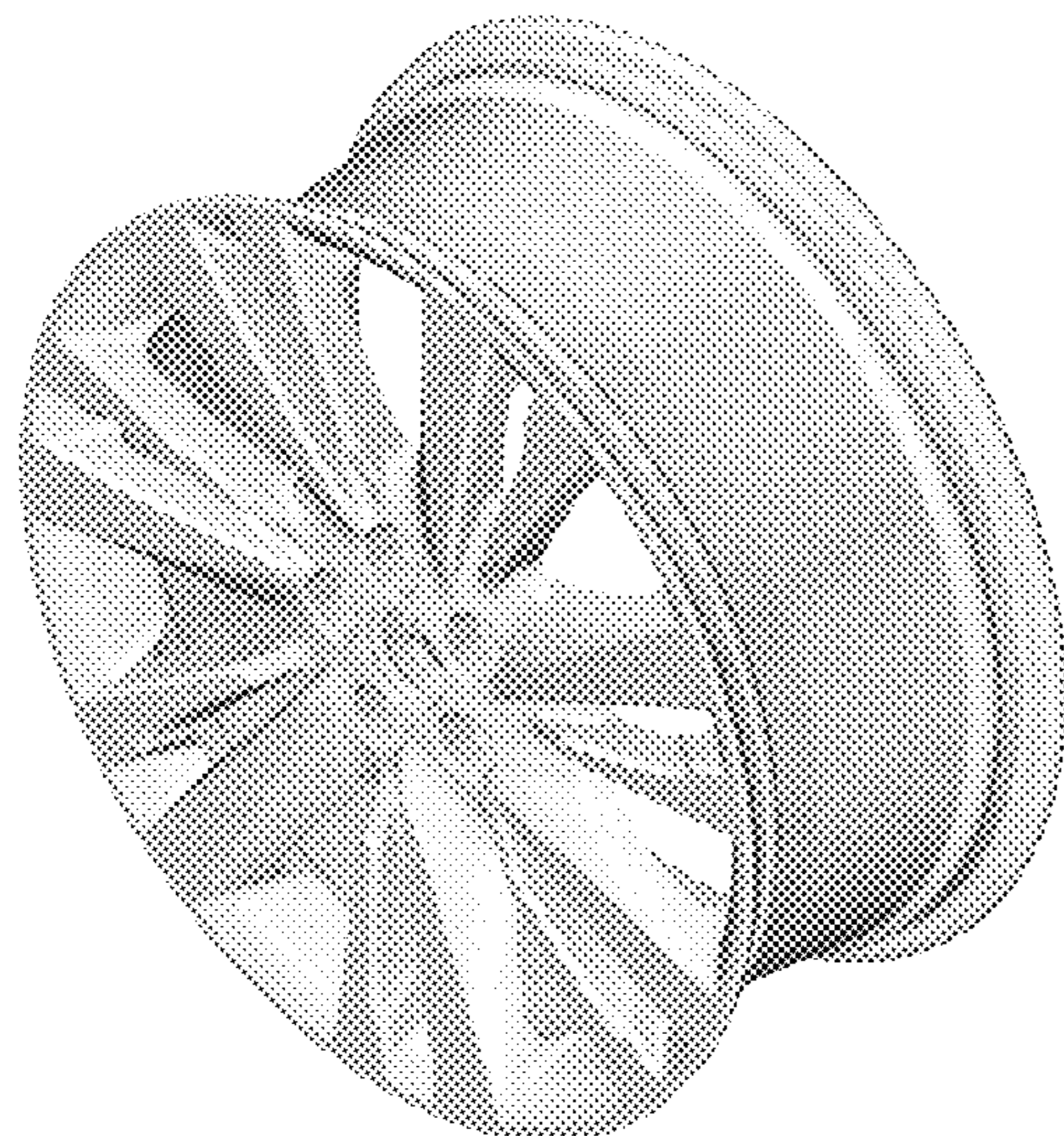




Figure 1



Figure 2