



US00D761709S

(12) **United States Design Patent**  
**Shimizu et al.**

(10) **Patent No.:** **US D761,709 S**  
(45) **Date of Patent:** **\*\* Jul. 19, 2016**

(54) **INSTRUMENT PANEL FOR AUTOMOBILE**

(71) Applicant: **HONDA MOTOR CO., LTD.**, Tokyo (JP)

(72) Inventors: **Yosuke Shimizu**, Wako (JP); **Takao Kanki**, Wako (JP)

(73) Assignee: **HONDA MOTOR CO., LTD.**, Tokyo (JP)

(\*\*) Term: **15 Years**

(21) Appl. No.: **29/531,887**

(22) Filed: **Jun. 30, 2015**

(30) **Foreign Application Priority Data**

Jan. 6, 2015 (JP) ..... 2015-000133

(51) **LOC (10) Cl.** ..... **12-16**

(52) **U.S. Cl.**  
USPC ..... **D12/192**

(58) **Field of Classification Search**  
USPC ..... D12/192, 415, 110, 114; D15/17, 28;  
D10/46, 98, 102-103, 122-127  
See application file for complete search history.

(56) **References Cited**

**U.S. PATENT DOCUMENTS**

D697,848 S \* 1/2014 Maruyama ..... D12/192  
D697,849 S \* 1/2014 Tanaka ..... D12/192

D699,171 S \* 2/2014 Matsuo ..... D12/192  
D704,608 S \* 5/2014 Kanda ..... D12/192  
D705,143 S \* 5/2014 Kawashima ..... D12/192  
D705,144 S \* 5/2014 Ishikawa ..... D12/192  
D705,711 S \* 5/2014 Yamamoto ..... D12/192  
D737,186 S \* 8/2015 Nakao ..... D12/192

\* cited by examiner

*Primary Examiner* — Katrina A Betton

(74) *Attorney, Agent, or Firm* — Westerman, Hattori, Daniels & Adrian, LLP

(57) **CLAIM**

The ornamental design for an instrument panel for automobile, as shown and described.

**DESCRIPTION**

FIG. 1 is a perspective view from the left side of an instrument panel for automobile.

FIG. 2 is a perspective view from the right side thereof.

FIG. 3 is a front elevation view thereof.

FIG. 4 is a top plan view thereof.

FIG. 5 is a left side elevation view thereof; and,

FIG. 6 is a right side elevation view thereof.

The broken lines shown in the drawings illustrate portions of the instrument panel for automobile that form no part of the claimed design.

**1 Claim, 6 Drawing Sheets**

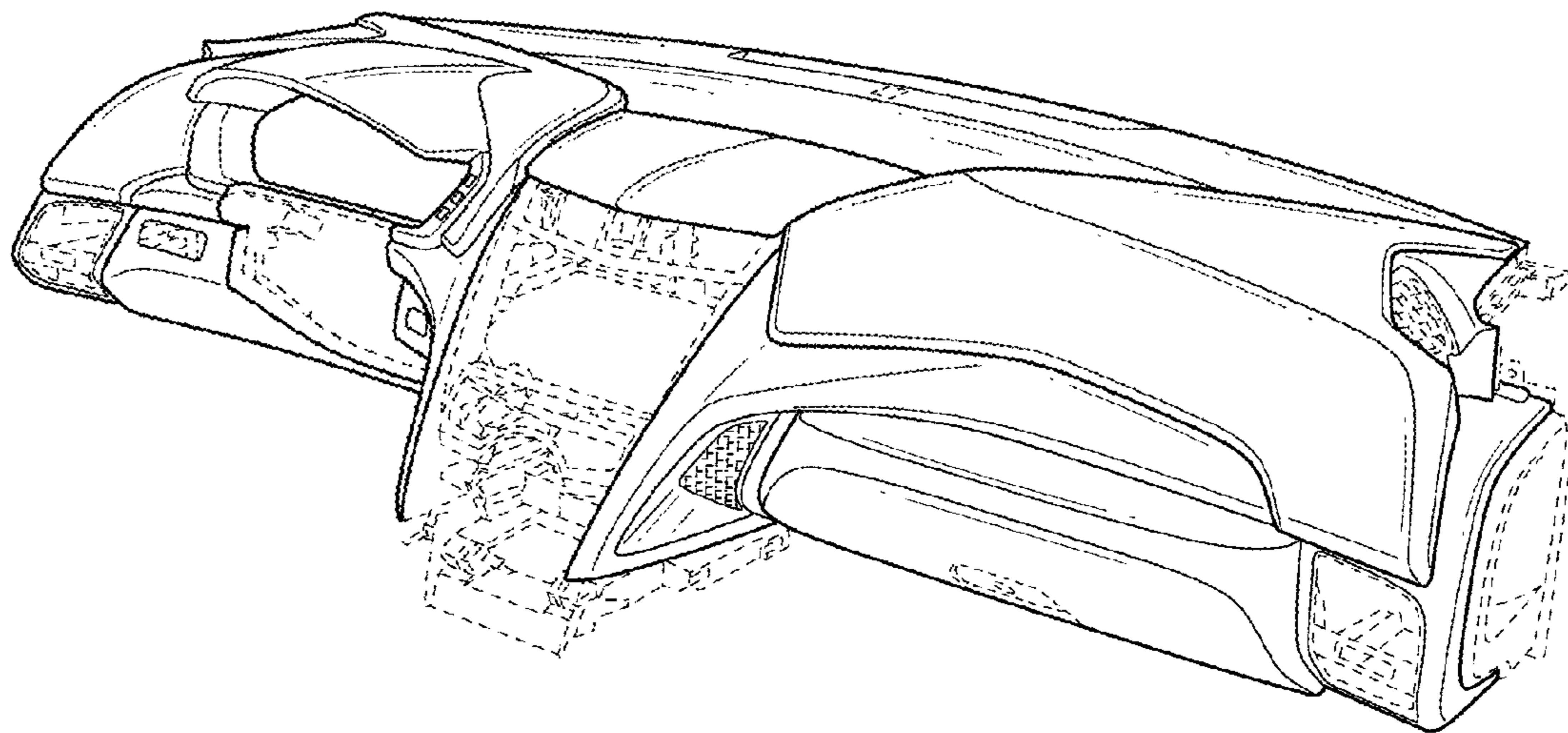


FIG. 1

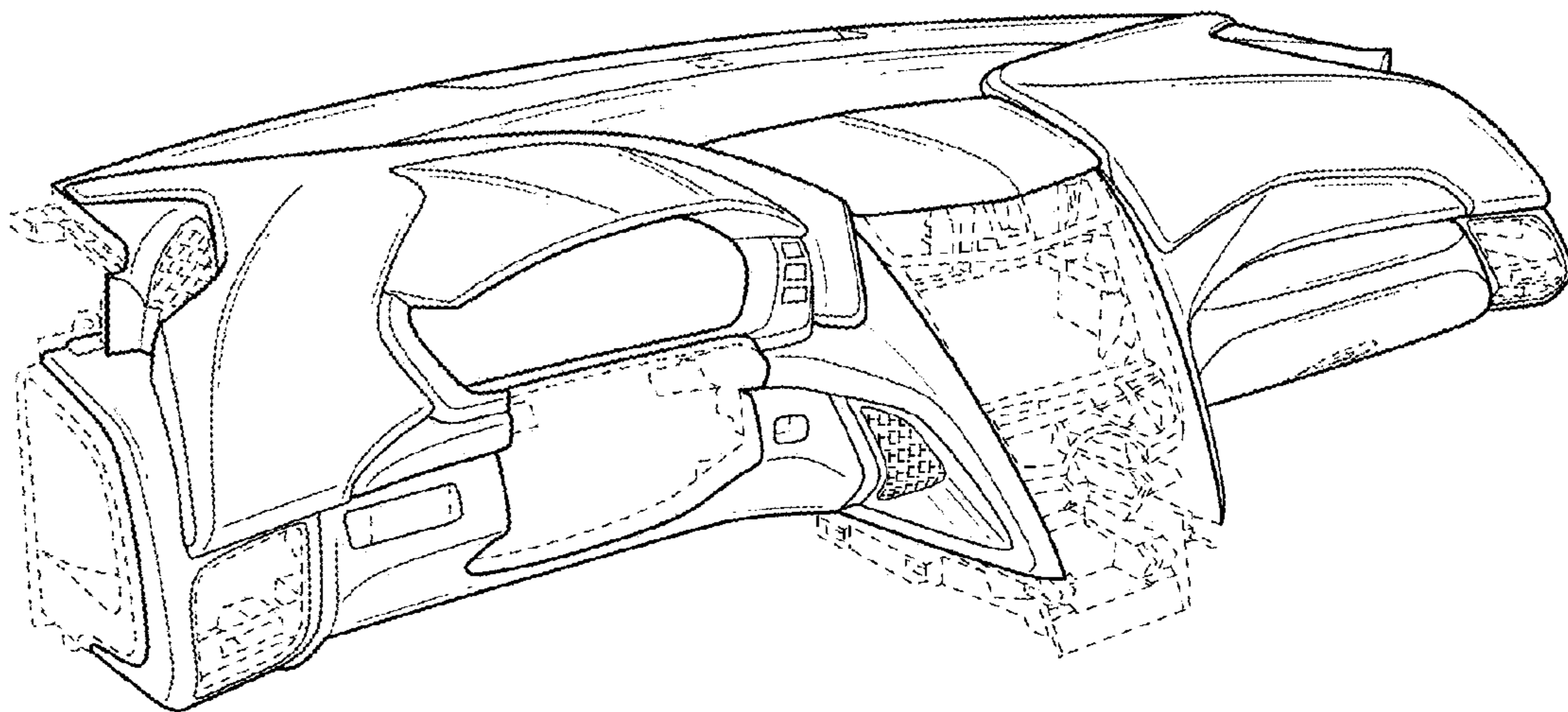


FIG. 2

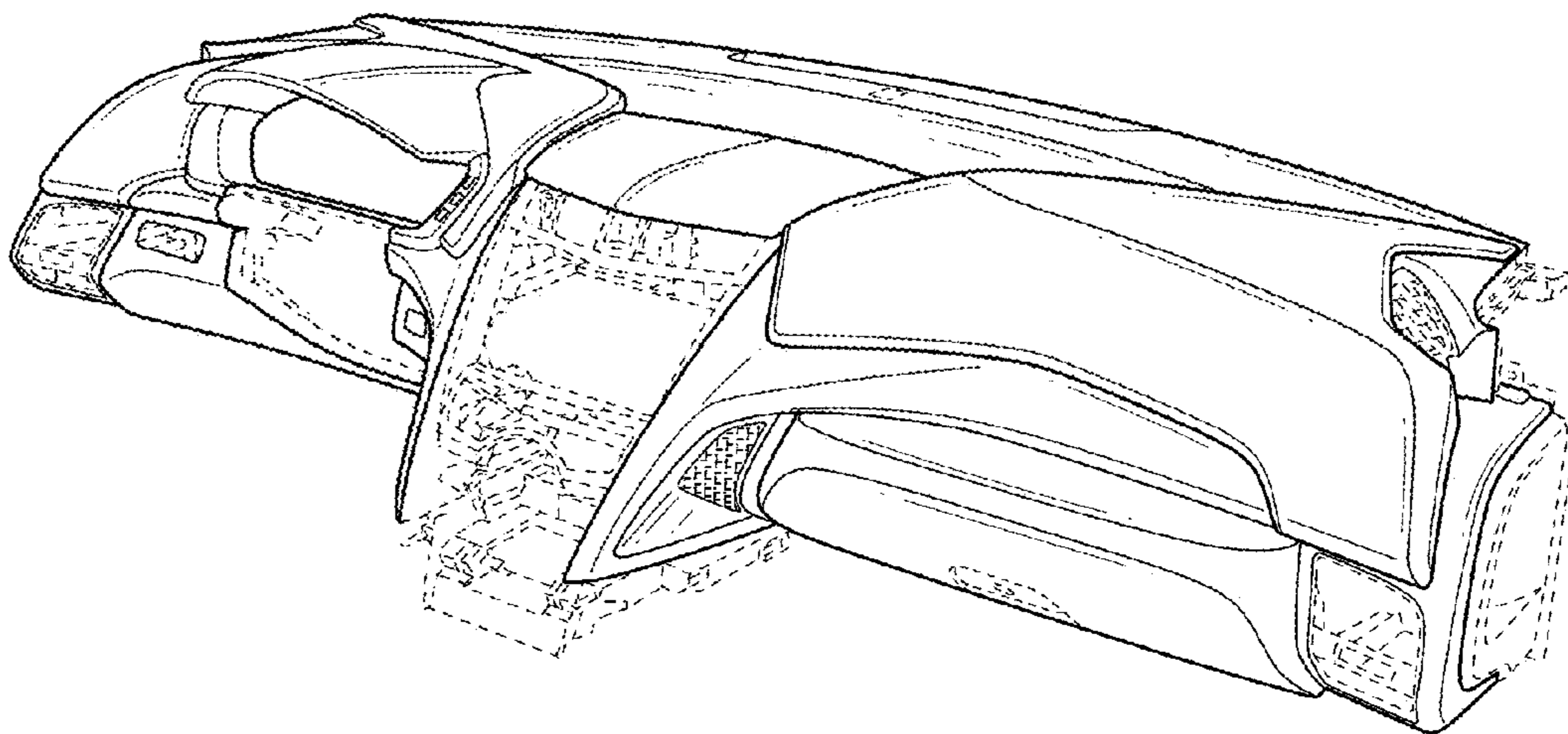


FIG. 3

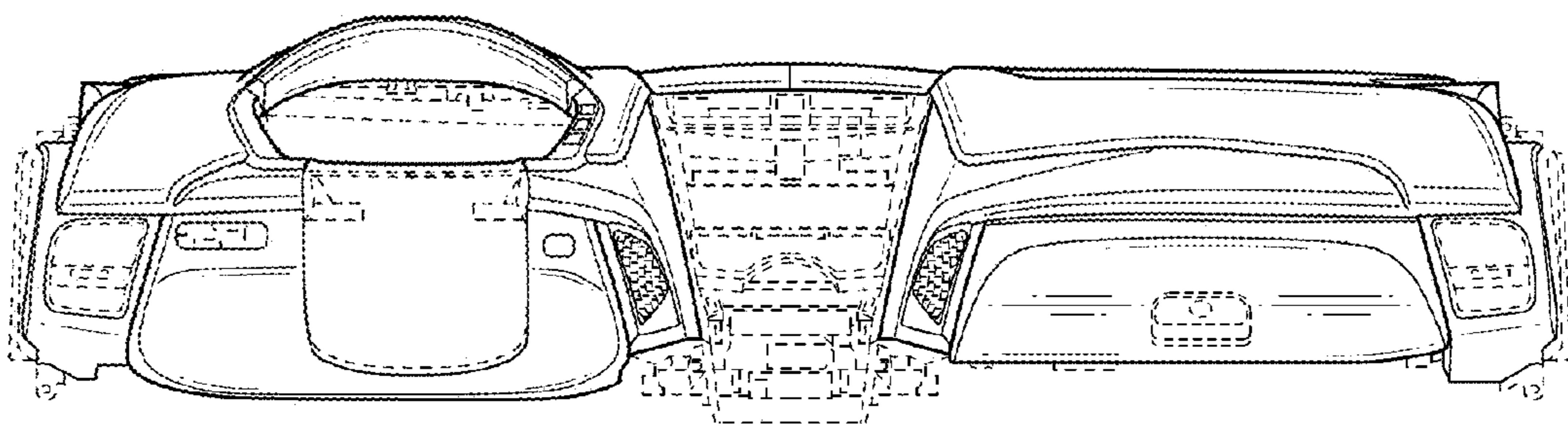




FIG. 4

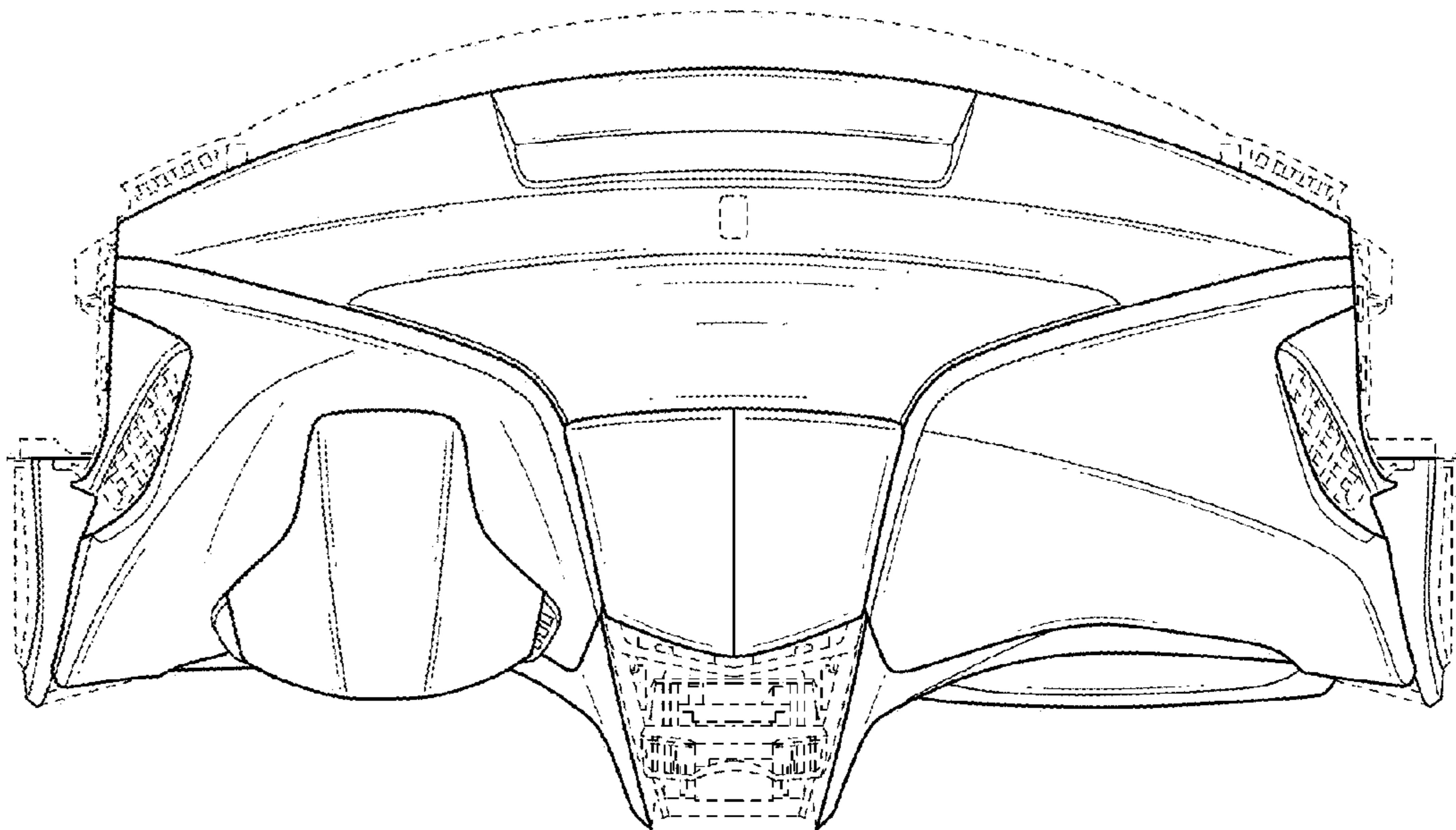


FIG. 5

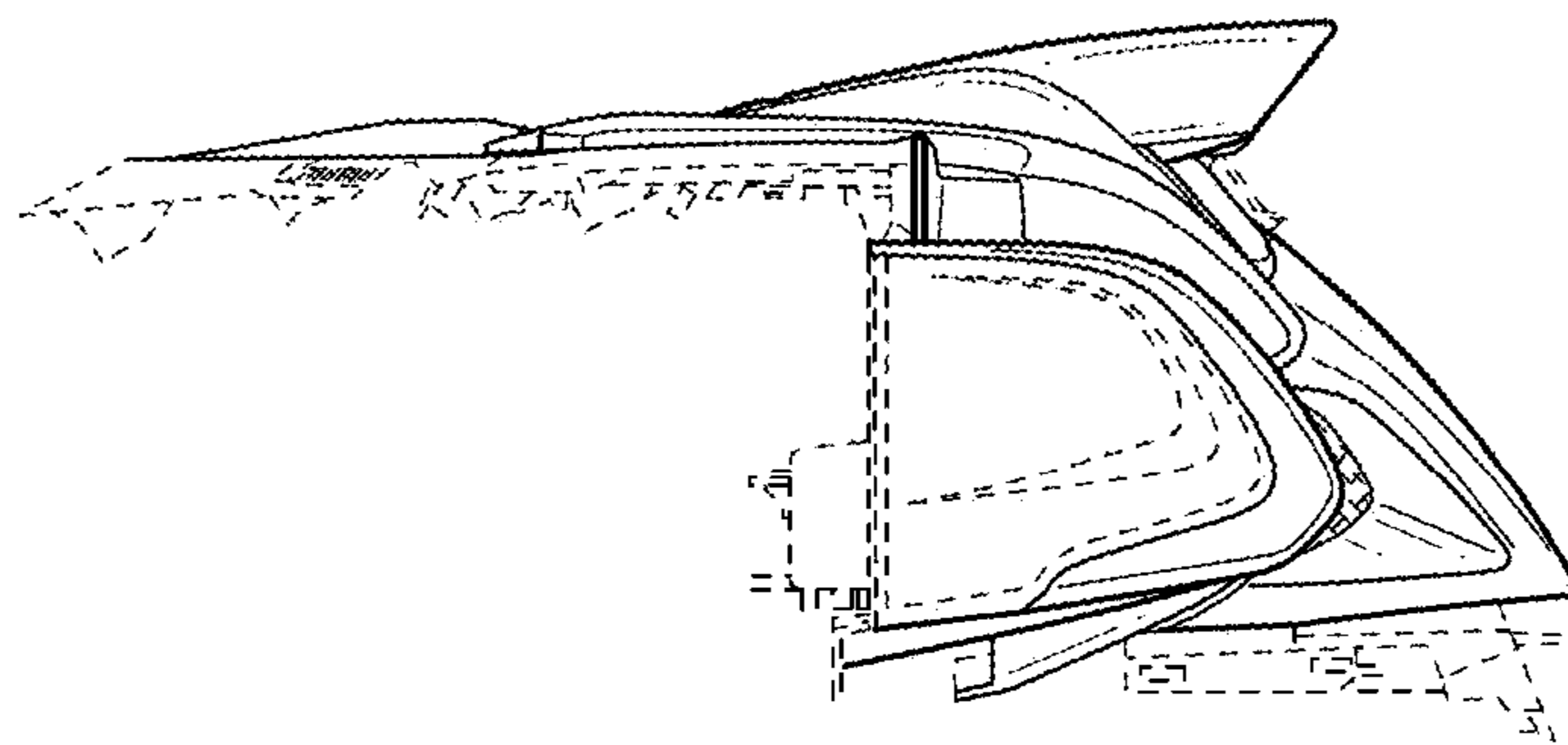


FIG. 6

