

US00D761708S

(12) **United States Design Patent**
Hamlin et al.

(10) **Patent No.:** **US D761,708 S**
(45) **Date of Patent:** **** Jul. 19, 2016**

- (54) **REARVIEW DEVICE**
- (71) Applicant: **Gentex Corporation**, Zeeland, MI (US)
- (72) Inventors: **Bradley R. Hamlin**, Allendale, MI (US);
Danny L. Minikey, Jr., Fenwick, MI (US); **Brett C. Pothoof**, Allendale, MI (US)
- (73) Assignee: **GENTEX CORPORATION**, Zeeland, MI (US)
- (**) Term: **15 Years**
- (21) Appl. No.: **29/531,250**
- (22) Filed: **Jun. 24, 2015**
- (51) **LOC (10) Cl.** **12-16**
- (52) **U.S. Cl.**
USPC **D12/187**
- (58) **Field of Classification Search**
USPC D12/187, 199, 189; D6/300, 309
CPC B60R 1/076; G02B 7/18; G02B 7/182;
G02B 5/08
See application file for complete search history.

D556,105 S *	11/2007	Carter	D12/187
D659,617 S *	5/2012	Brockington	D12/187
D731,376 S *	6/2015	Hamlin	D12/187
D744,395 S *	12/2015	Hamlin	D12/187
D746,744 S *	1/2016	Sloterbeek	D12/187
2014/0192431 A1 *	7/2014	Sloterbeek	B60R 1/12 359/871

* cited by examiner

Primary Examiner — Katrina A Betton

(74) *Attorney, Agent, or Firm* — Price Heneveld LLP; Scott P. Ryan

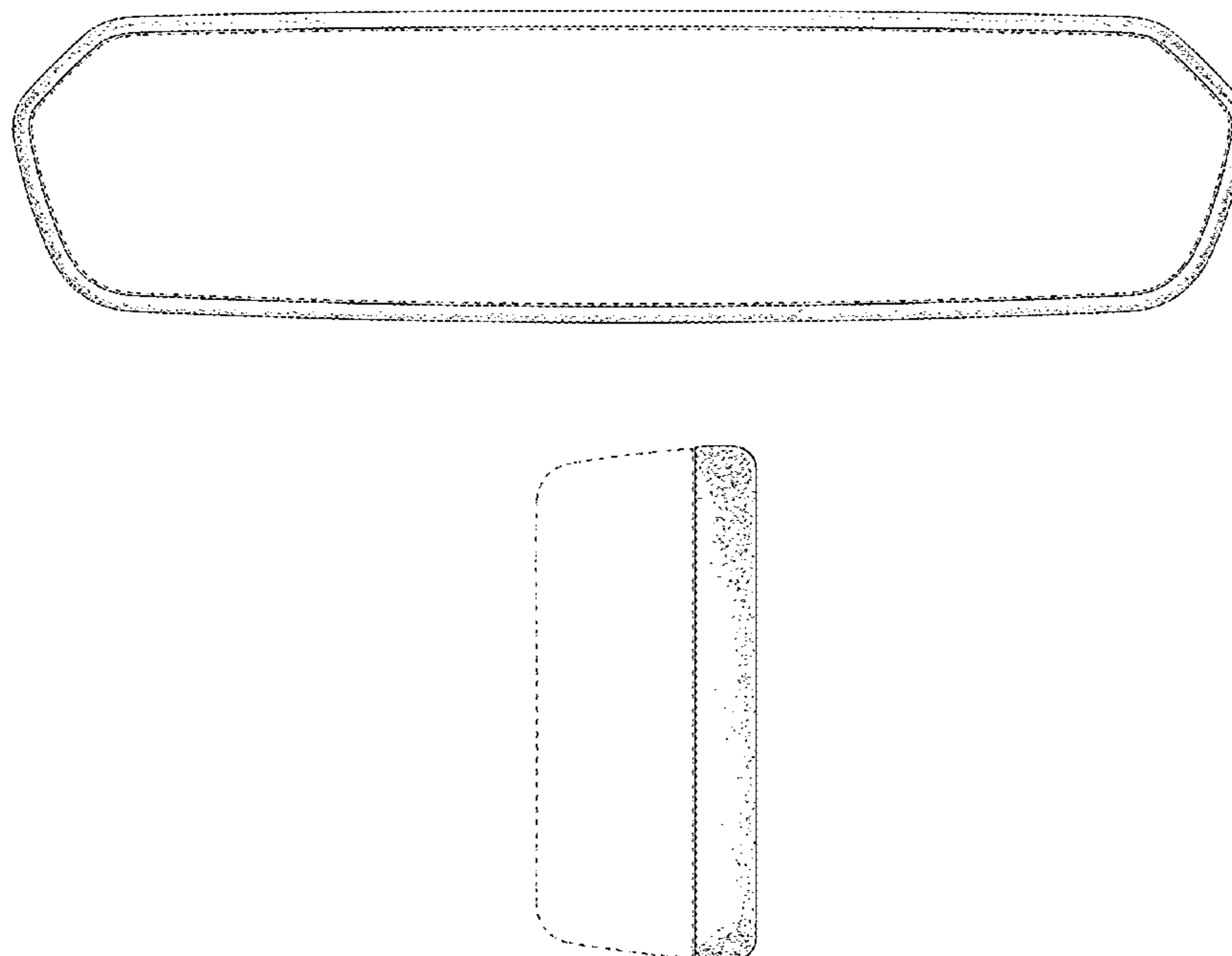
(57) **CLAIM**

We claim the ornamental design for a rearview device, as shown and described.

DESCRIPTION

FIG. 1 is a front perspective view of one embodiment of a rearview device of the present disclosure;
 FIG. 2 is a front elevational view of the rearview device of FIG. 1;
 FIG. 3 is a rear elevational view of the rearview device of FIG. 1;
 FIG. 4 is a first side elevational view of the rearview device of FIG. 1;
 FIG. 5 is a second side elevational view of the rearview device of FIG. 1;
 FIG. 6 is a top plan view of the rearview device of FIG. 1; and,
 FIG. 7 is a bottom plan view of the rearview device of FIG. 1.
 The broken lines depict environmental subject matter and form no part of the claimed design.

1 Claim, 5 Drawing Sheets



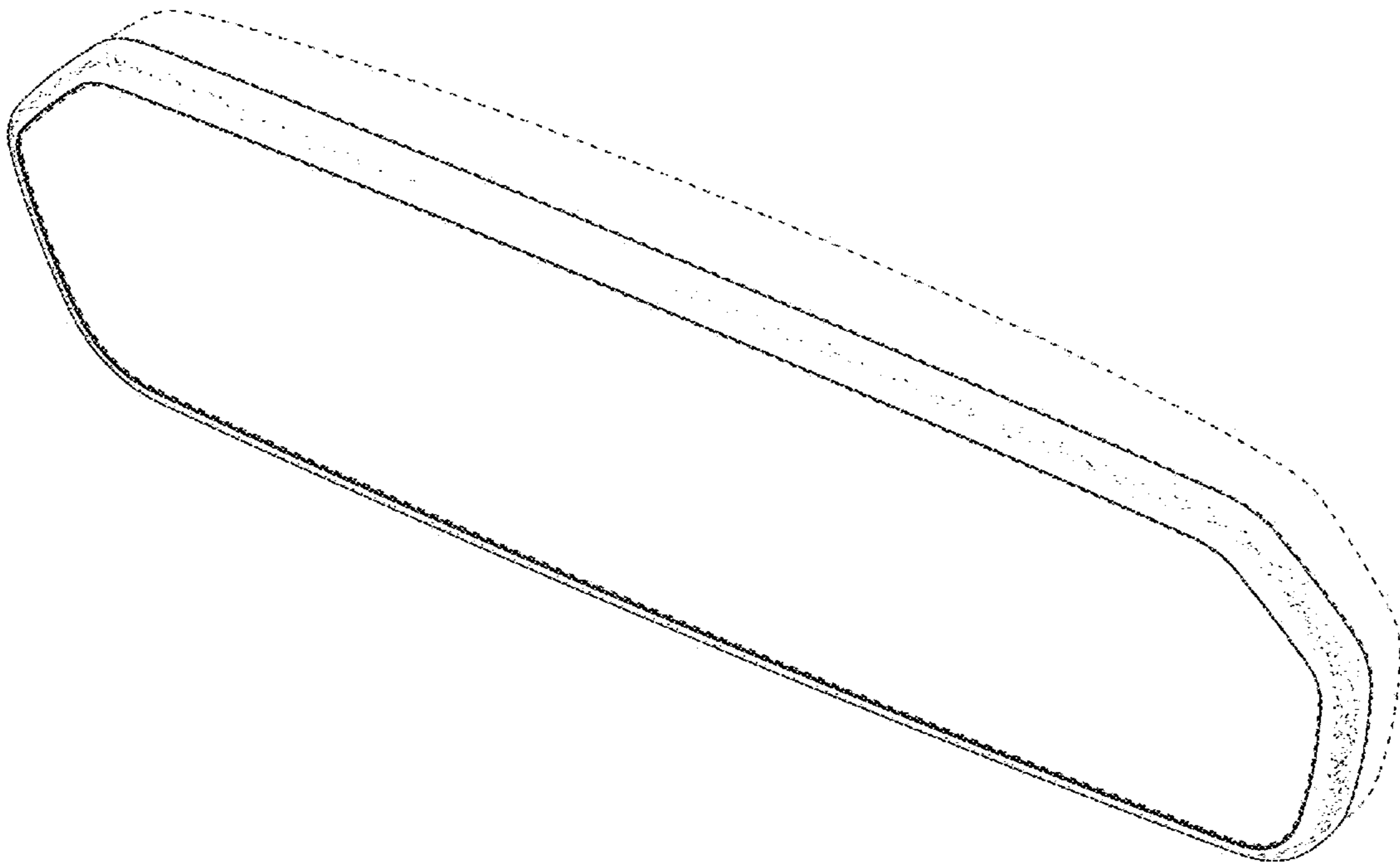


FIG. 1

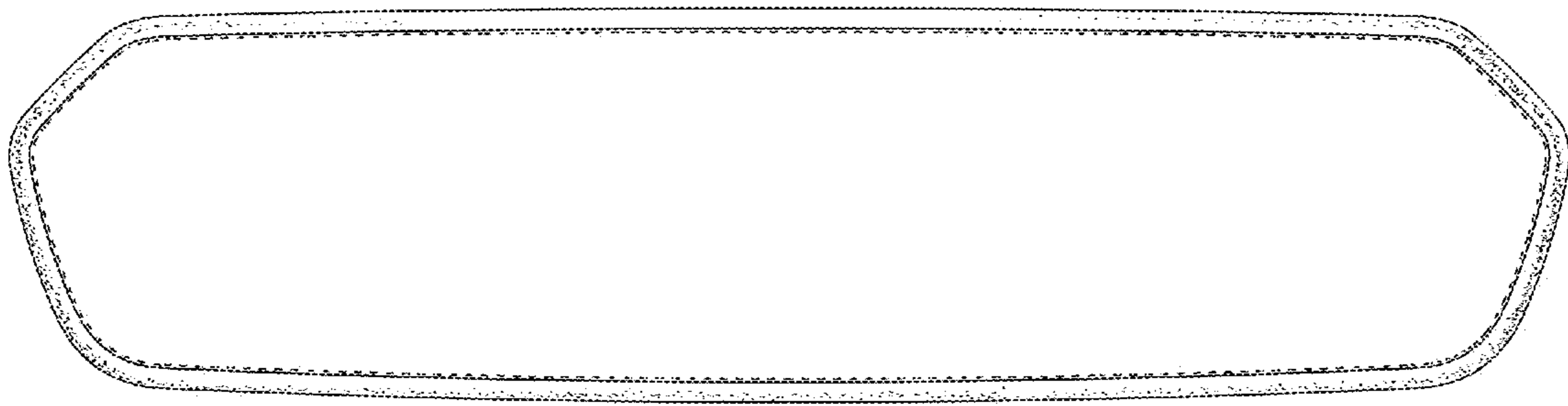


FIG. 2



FIG. 3

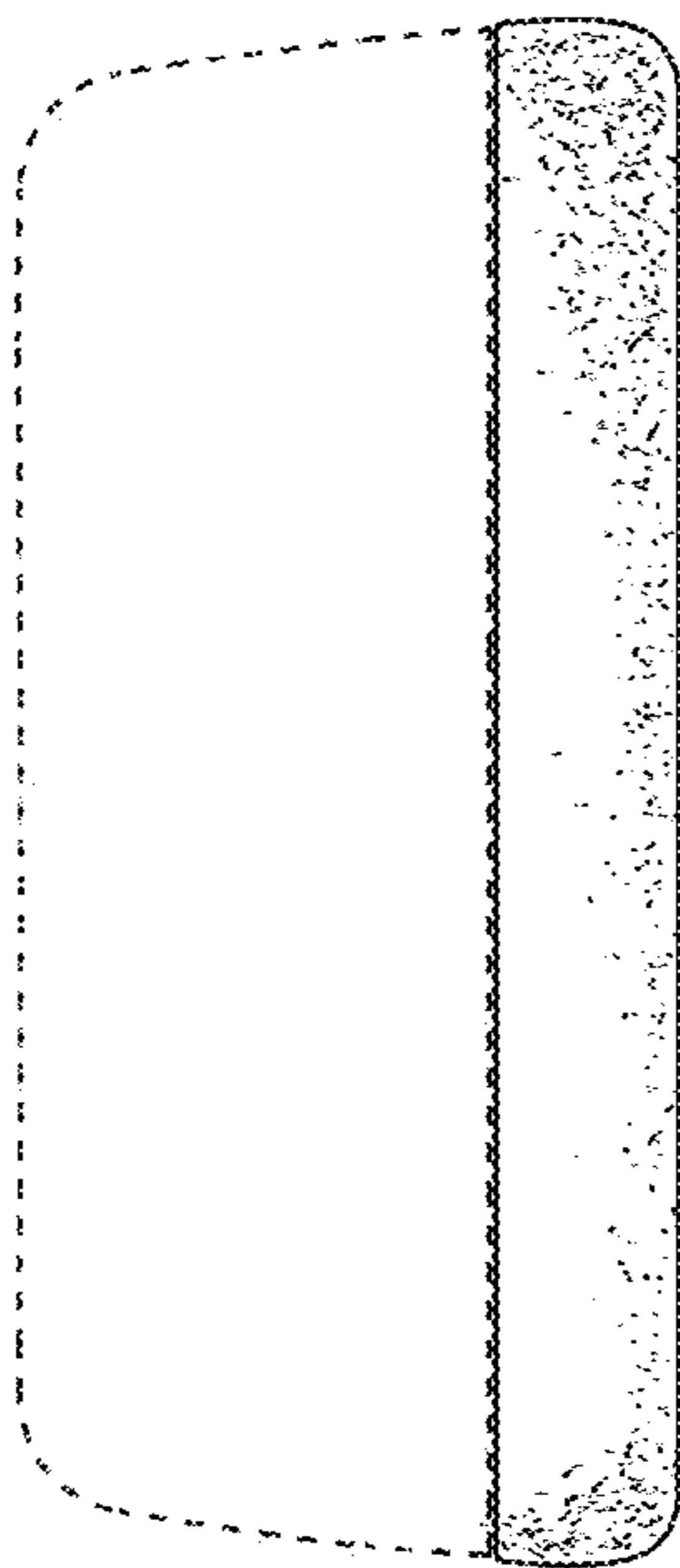


FIG. 4

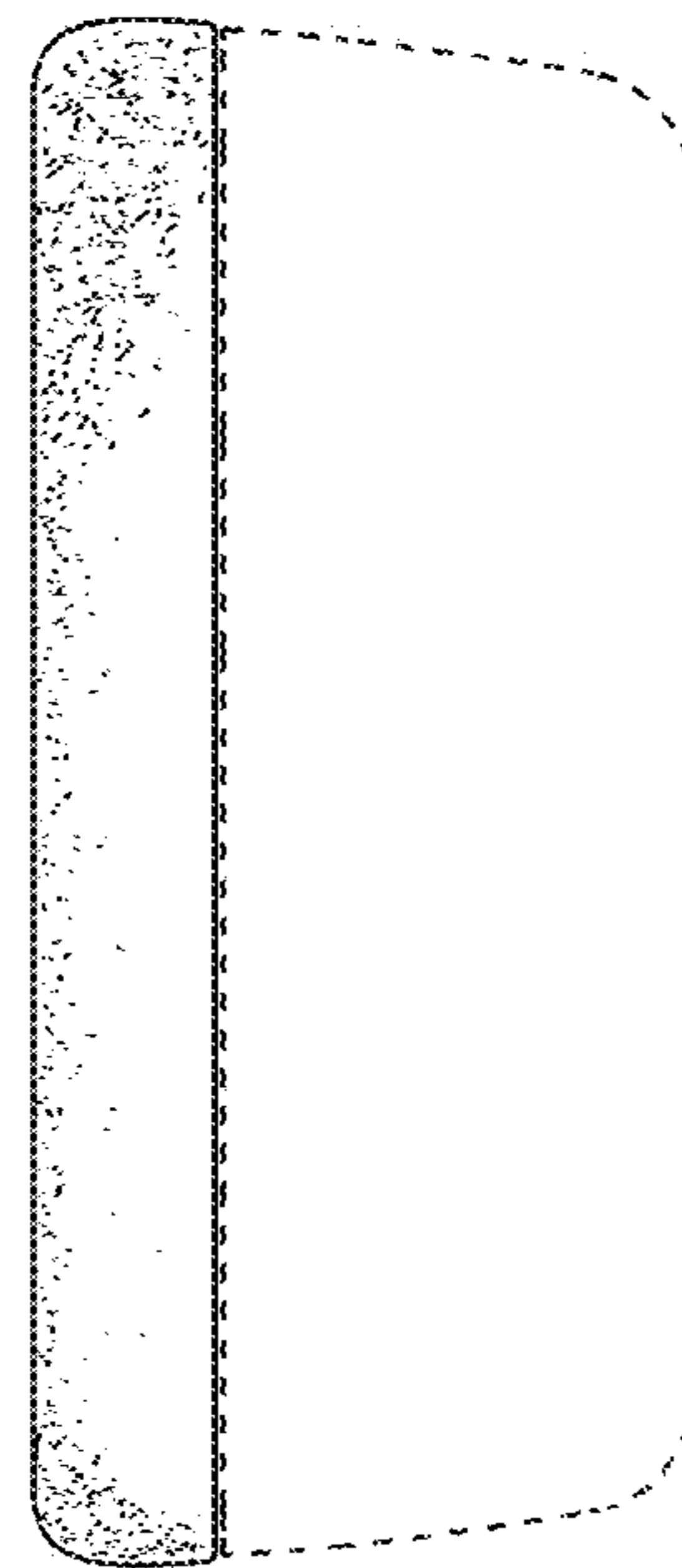


FIG. 5

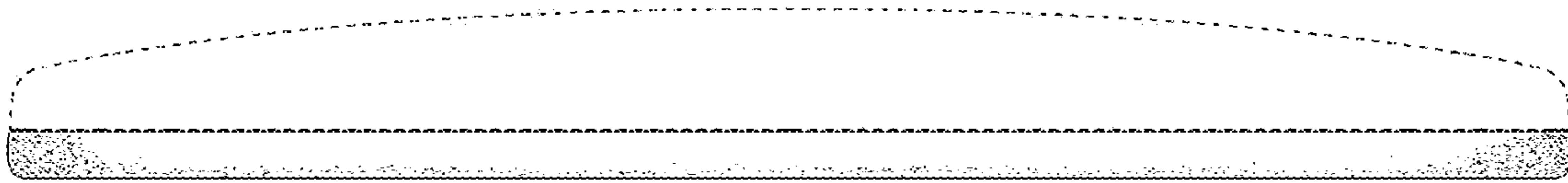


FIG. 6

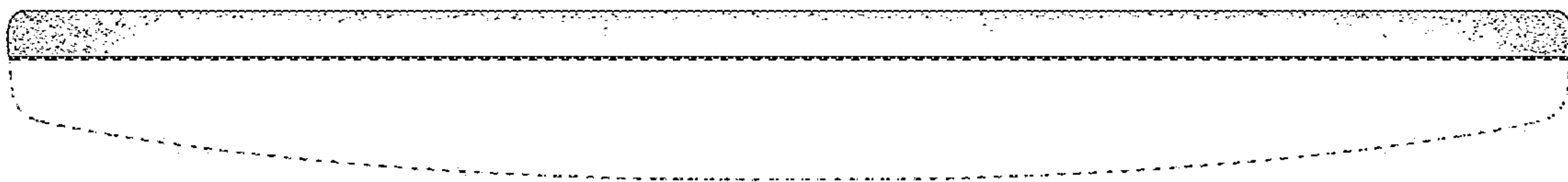


FIG. 7