



US00D761706S

(12) **United States Design Patent**  
**Messale et al.**

(10) **Patent No.:** **US D761,706 S**  
(45) **Date of Patent:** **\*\* Jul. 19, 2016**

(54) **VEHICLE HOOD**

(71) Applicant: **Ford Motor Company**, Dearborn, MI  
(US)

(72) Inventors: **Claudio Messale**, Cologne (DE);  
**Roberto Giachin**, Zuelpich (DE);  
**Thomas Morel**, Dusseldorf (DE);  
**Domenico Tonello**, Cologne (DE)

(73) Assignee: **Ford Motor Company**, Dearborn, MI  
(US)

(\*\*) Term: **14 Years**

(21) Appl. No.: **29/520,112**

(22) Filed: **Mar. 11, 2015**

(30) **Foreign Application Priority Data**

Sep. 18, 2014 (DE) ..... 40 2014 100 888

(51) **LOC (10) Cl.** ..... **12-16**

(52) **U.S. Cl.**  
USPC ..... **D12/173**

(58) **Field of Classification Search**  
USPC ..... D12/173, 196, 86, 90-92, 181;  
180/69.21, 69.2, 69.22;  
296/190.1-190.5, 190.8, 193.11, 37.6  
CPC ..... B62D 25/10; B62D 25/06; B62D 65/02;  
B62D 25/12; B60Q 1/00

See application file for complete search history.

(56) **References Cited**

U.S. PATENT DOCUMENTS

D520,921 S *	5/2006	Nagura .....	D12/173
D545,249 S *	6/2007	Fujimaki .....	D12/173
D555,554 S *	11/2007	Bucher .....	D12/173
D563,293 S *	3/2008	Pfeiffer .....	D12/173
D570,753 S *	6/2008	Sato .....	D12/173
D600,610 S *	9/2009	Lamm .....	D12/173
D620,852 S *	8/2010	Froehlich .....	D12/173
D633,014 S *	2/2011	Bauer .....	D12/173
D644,579 S *	9/2011	Messale .....	D12/173
D699,643 S *	2/2014	Chae .....	D12/173
D700,117 S *	2/2014	Rupar .....	D12/173
D702,164 S *	4/2014	Campbell .....	D12/173
D712,323 S *	9/2014	Mays .....	D12/173
D726,606 S *	4/2015	Rupar .....	D12/173

\* cited by examiner

*Primary Examiner* — Melody N Brown

(74) *Attorney, Agent, or Firm* — Damian Porcari

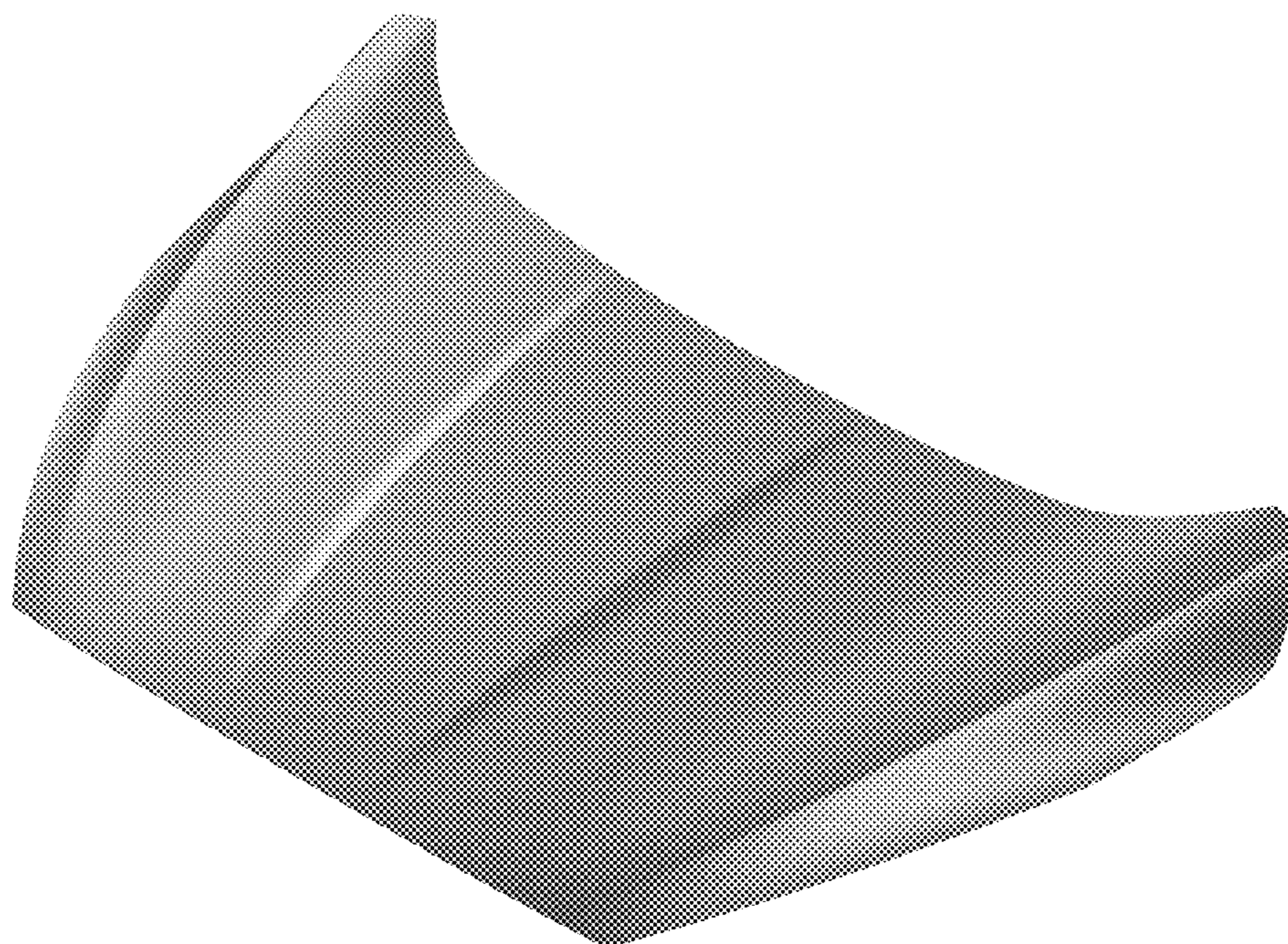
(57) **CLAIM**

The ornamental design for a vehicle hood, as shown and described.

**DESCRIPTION**

FIG. 1 is a top left perspective view of a vehicle hood;  
FIG. 2 is a top right perspective view thereof;  
FIG. 3 is a top rear perspective view thereof;  
FIG. 4 is a front elevational view thereof;  
FIG. 5 is a rear elevational view thereof;  
FIG. 6 is a left side elevational view thereof;  
FIG. 7 is a right side elevational view thereof;  
FIG. 8 is a top plan view thereof; and,  
FIG. 9 is a bottom plan view thereof.

**1 Claim, 9 Drawing Sheets**



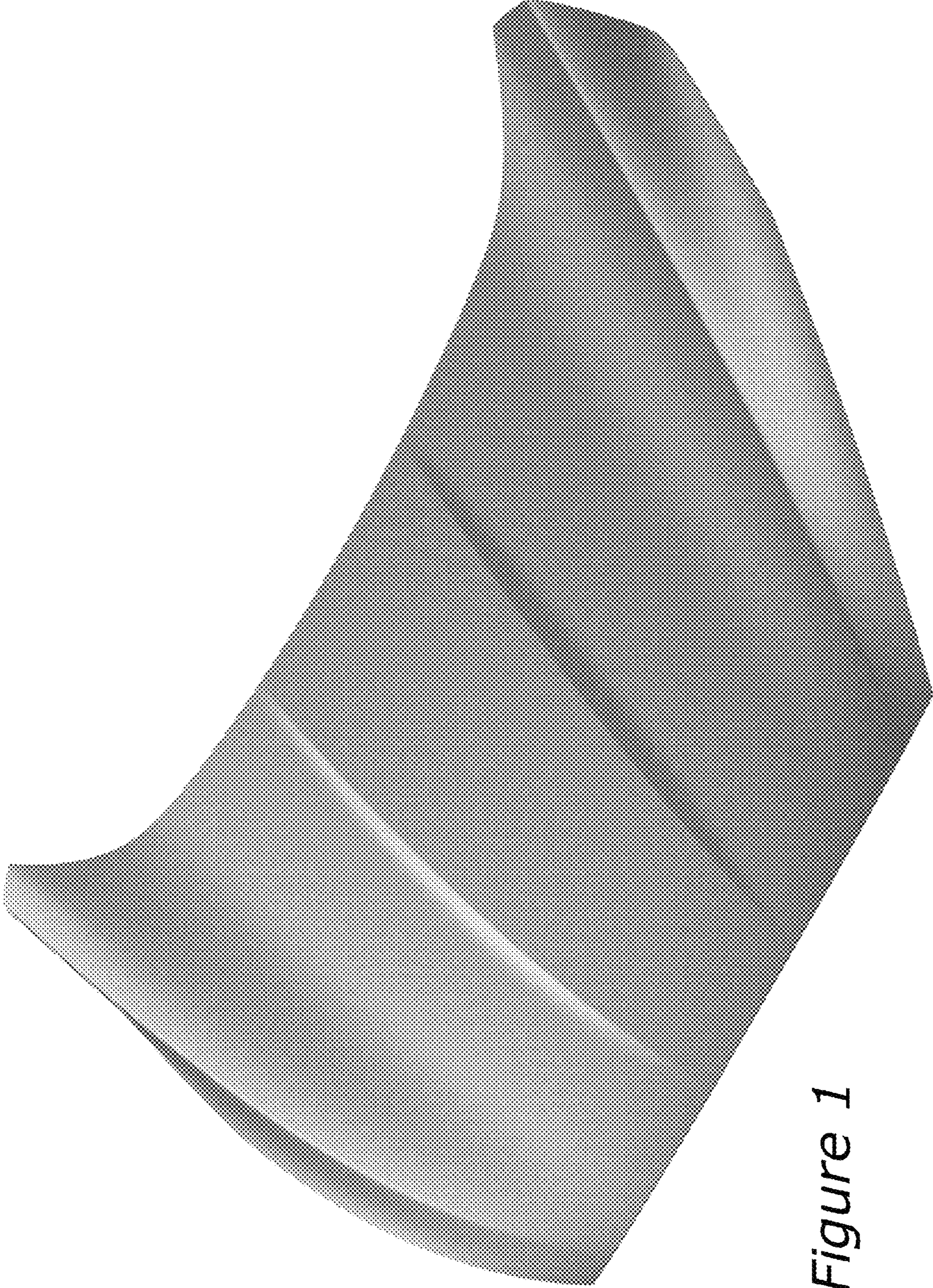


Figure 1

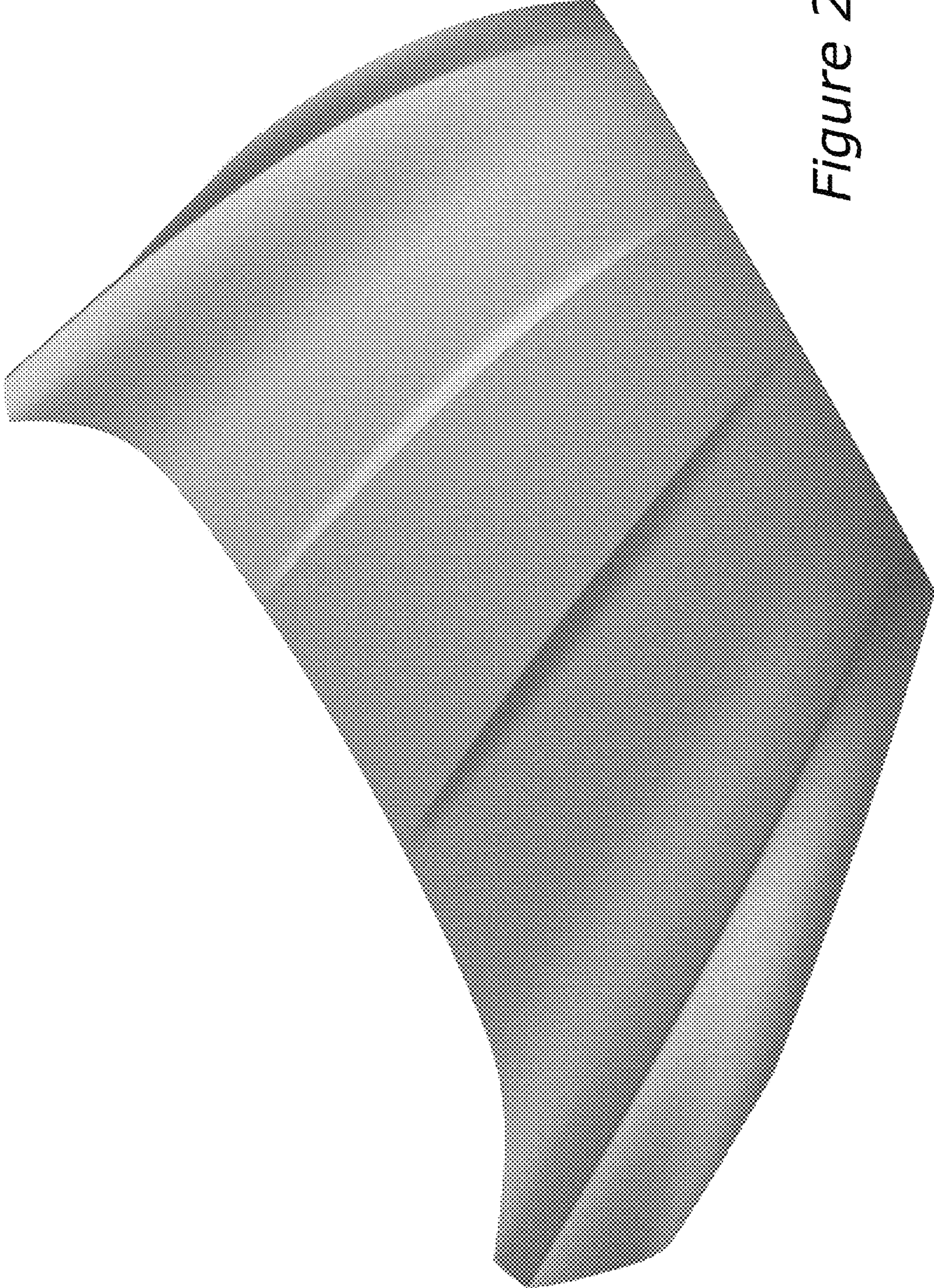


Figure 2

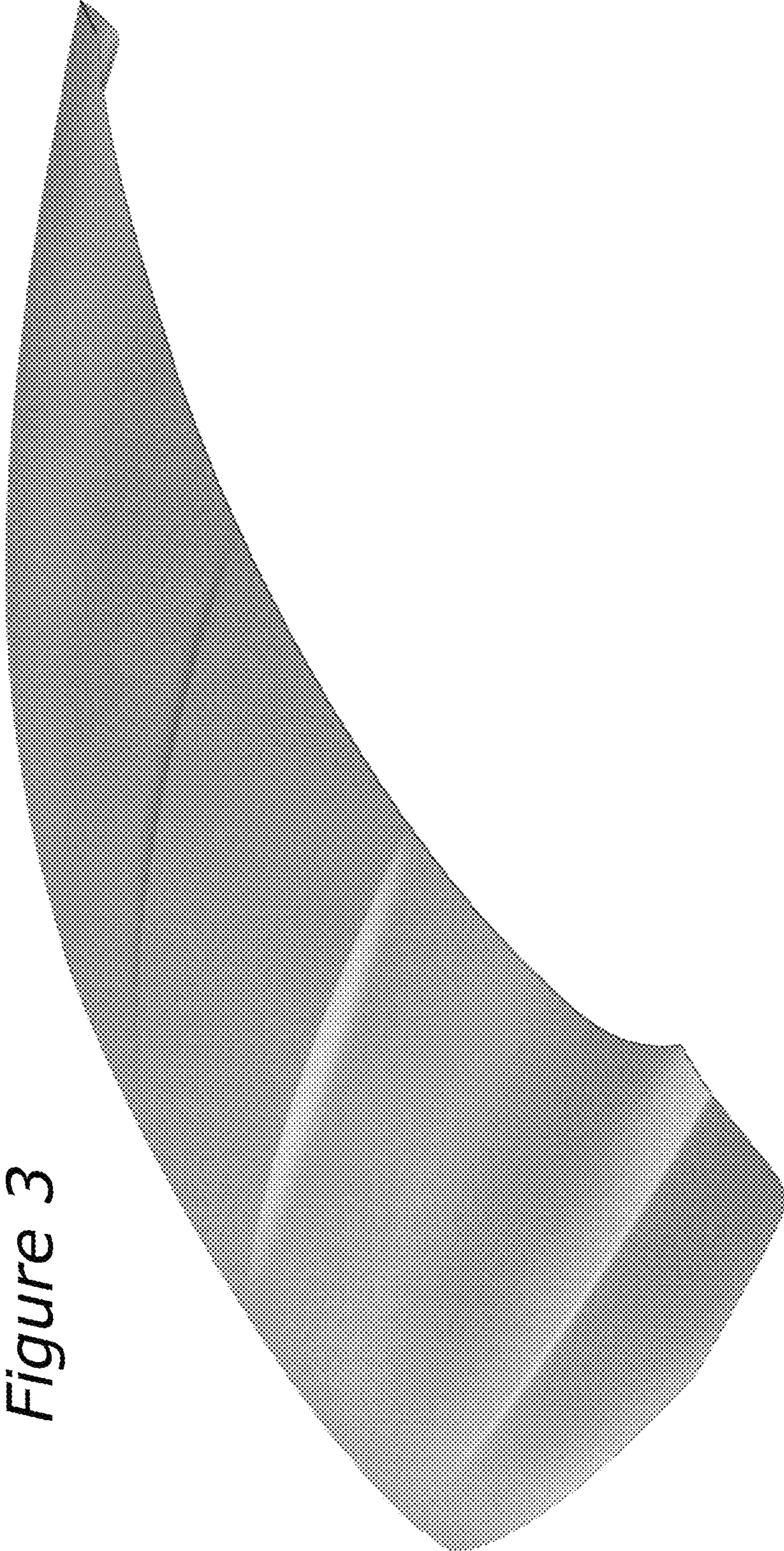


Figure 3

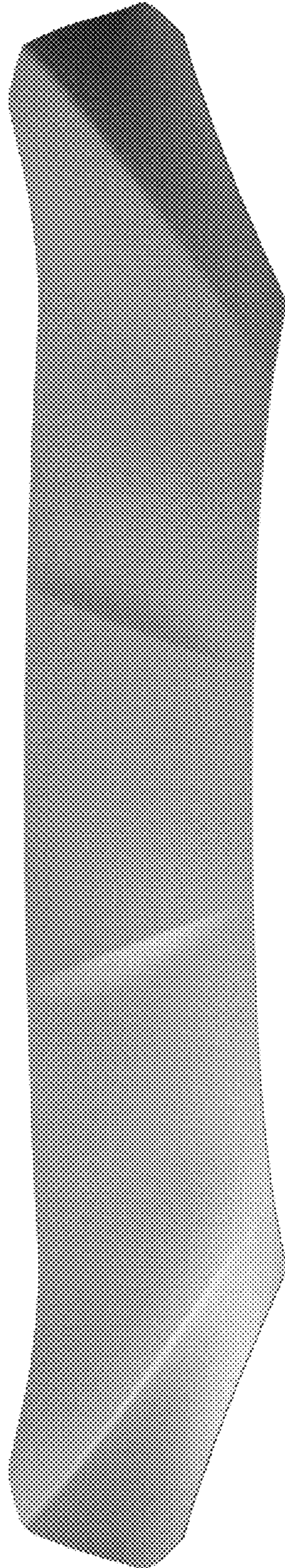


Figure 4

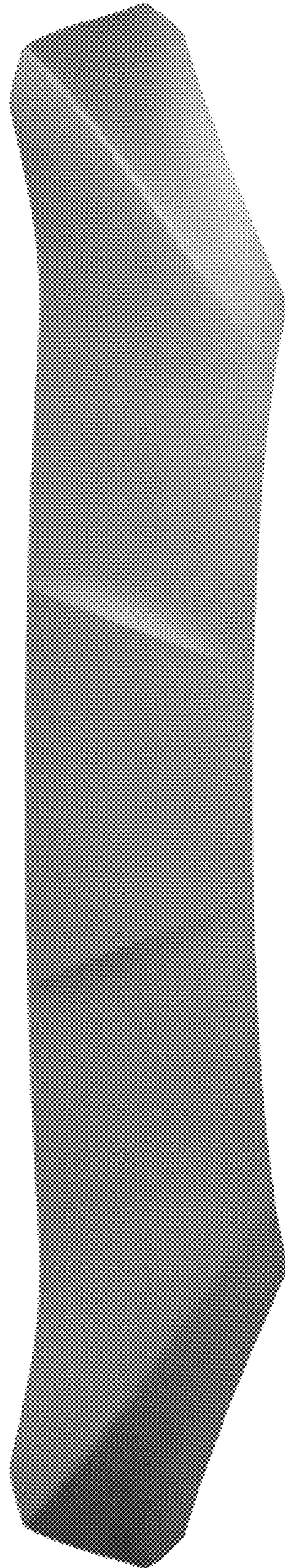
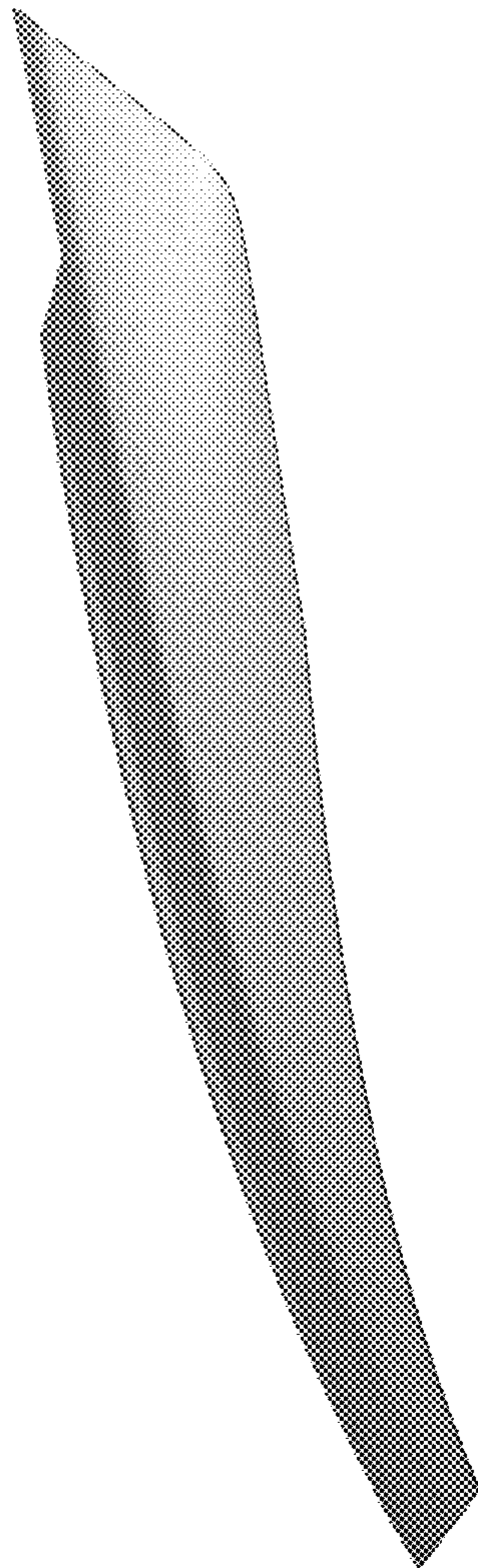


Figure 5



*Figure 6*

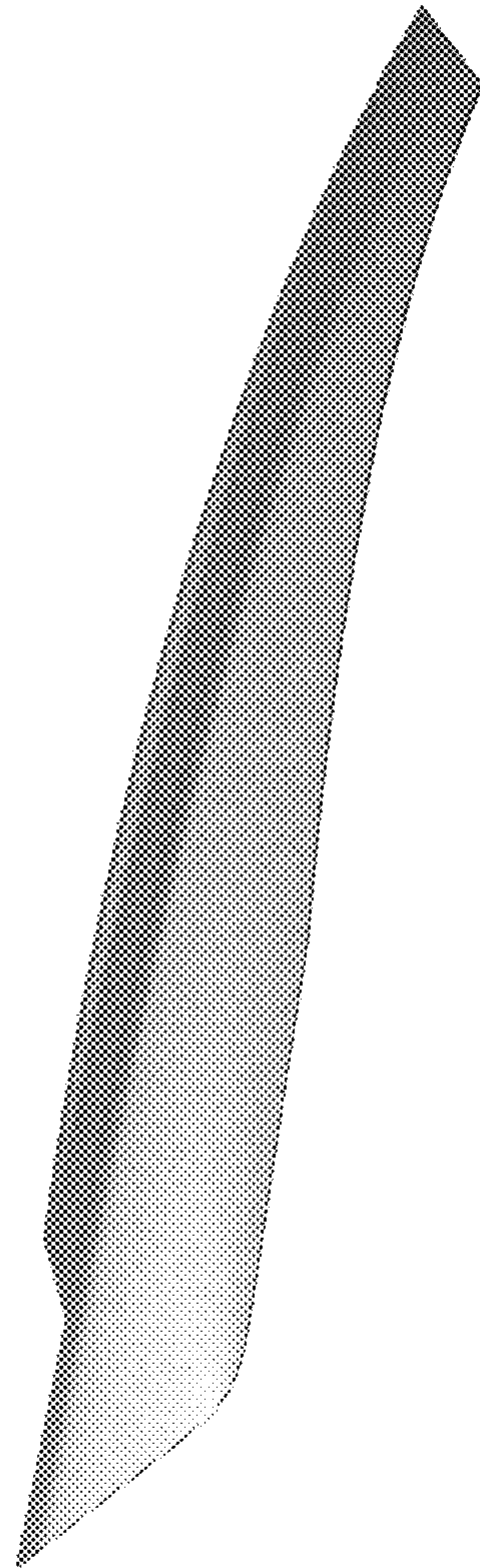


Figure 7



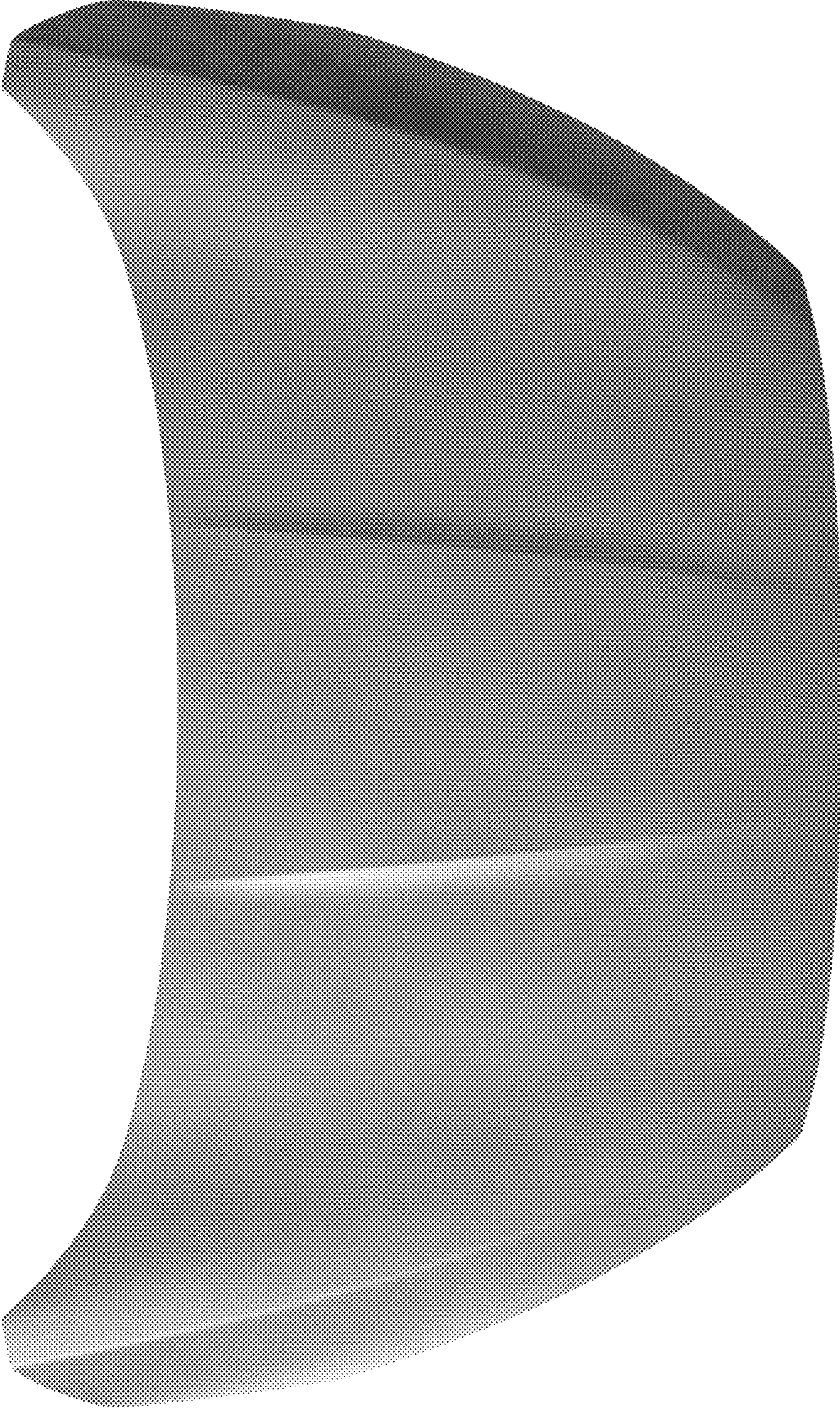


Figure 8

Figure 9

