



US00D761705S

(12) **United States Design Patent**
Song et al.

(10) **Patent No.:** **US D761,705 S**
(45) **Date of Patent:** **** Jul. 19, 2016**

- (54) **BUMPER FOR MOTOR VEHICLE**
- (71) Applicant: **Mazda Motor Corporation**, Hiroshima (JP)
- (72) Inventors: **Siyoung Song**, Irvine, CA (US); **Hiroto Arai**, Hiroshima (JP); **Yorihito Murakami**, Hiroshima (JP); **Kazuya Hamada**, Hiroshima (JP)
- (73) Assignee: **Mazda Motor Corporation**, Hiroshima (JP)
- (**) Term: **15 Years**
- (21) Appl. No.: **29/529,670**
- (22) Filed: **Jun. 9, 2015**
- (51) **LOC (10) Cl.** **12-16**
- (52) **U.S. Cl.**
USPC **D12/169**
- (58) **Field of Classification Search**
USPC D12/169, 163, 196, 171, 90-92, 216;
293/102, 113, 115, 117, 120;
296/180.1, 180.2
CPC B60R 19/52; B60R 2019/25; B60R 25/084
See application file for complete search history.

(56) **References Cited**

U.S. PATENT DOCUMENTS

D721,625 S *	1/2015	George	D12/169
D731,370 S *	6/2015	Howell	D12/169
D733,625 S *	7/2015	Morikawa	D12/169
D736,125 S *	8/2015	Kamiura	D12/169
D738,271 S *	9/2015	Glover	D12/169
D738,272 S *	9/2015	Kamiura	D12/169
D746,739 S *	1/2016	Wolff	D12/169
D748,544 S *	2/2016	Nissl	D12/169

* cited by examiner

Primary Examiner — Melody N Brown

(74) *Attorney, Agent, or Firm* — Studebaker & Brackett PC

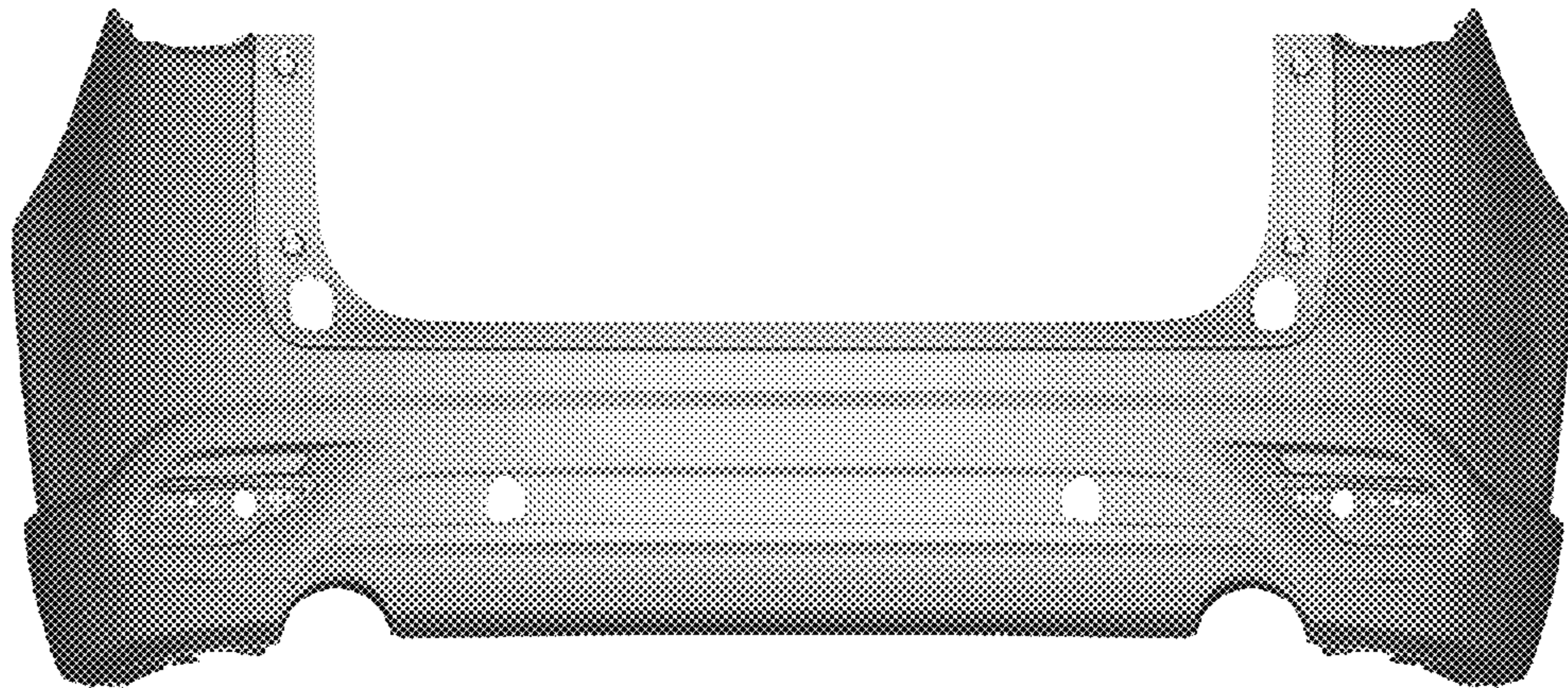
(57) **CLAIM**

The ornamental design for a bumper for motor vehicle, as shown and described.

DESCRIPTION

FIG. 1 is a perspective view of a bumper for motor vehicle; FIG. 2 is a front view thereof; FIG. 3 is a rear view thereof; FIG. 4 is a left side view thereof; FIG. 5 is a right side view thereof; FIG. 6 is a top view thereof; and, FIG. 7 is a bottom view thereof.

1 Claim, 4 Drawing Sheets



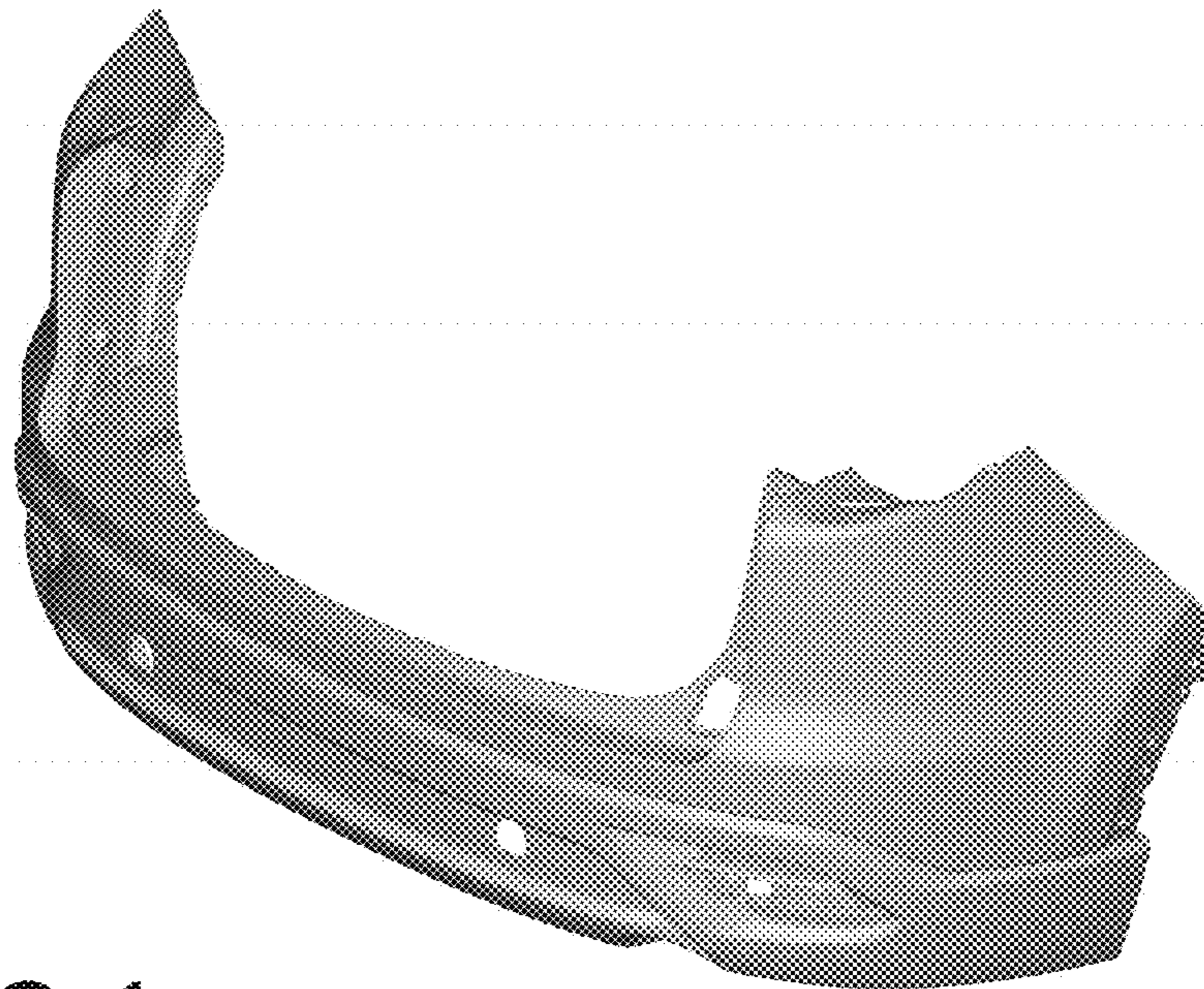


FIG. 1

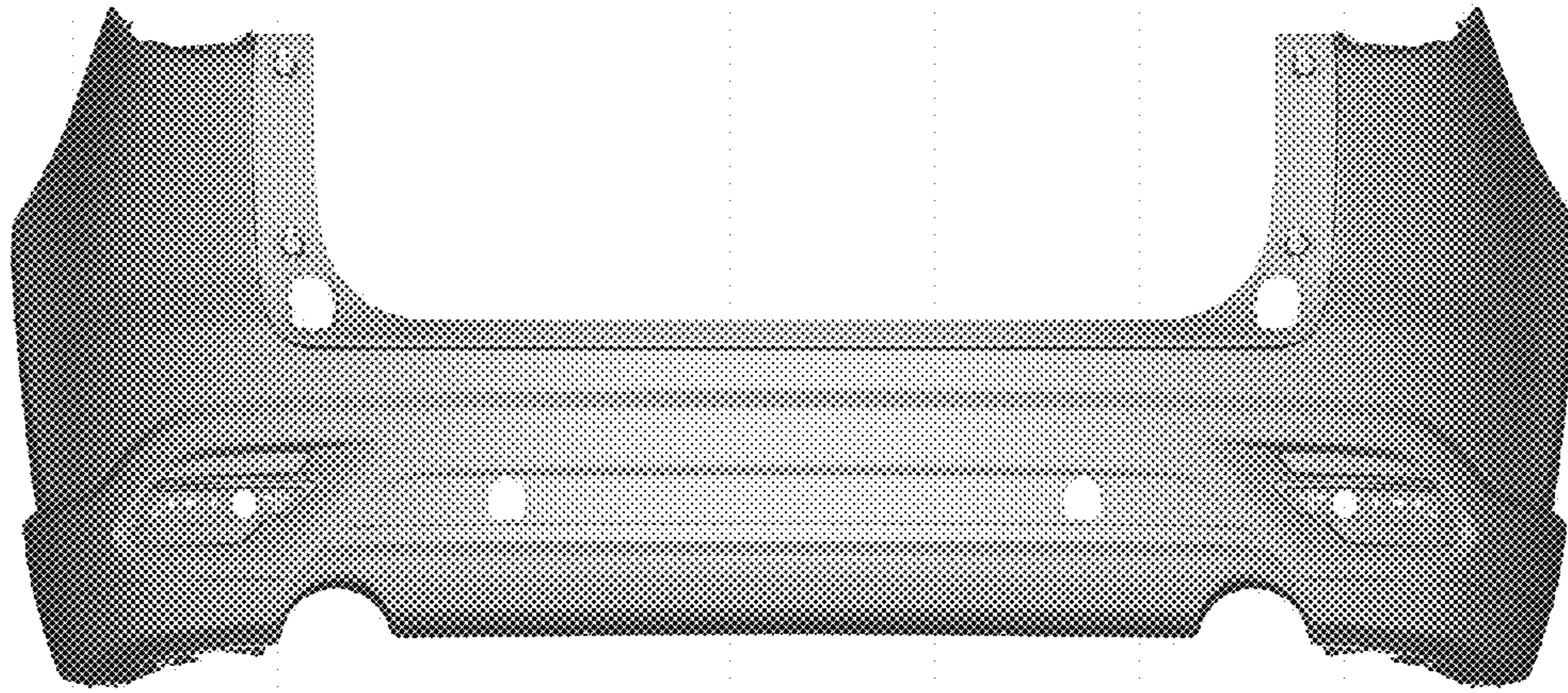


FIG. 2

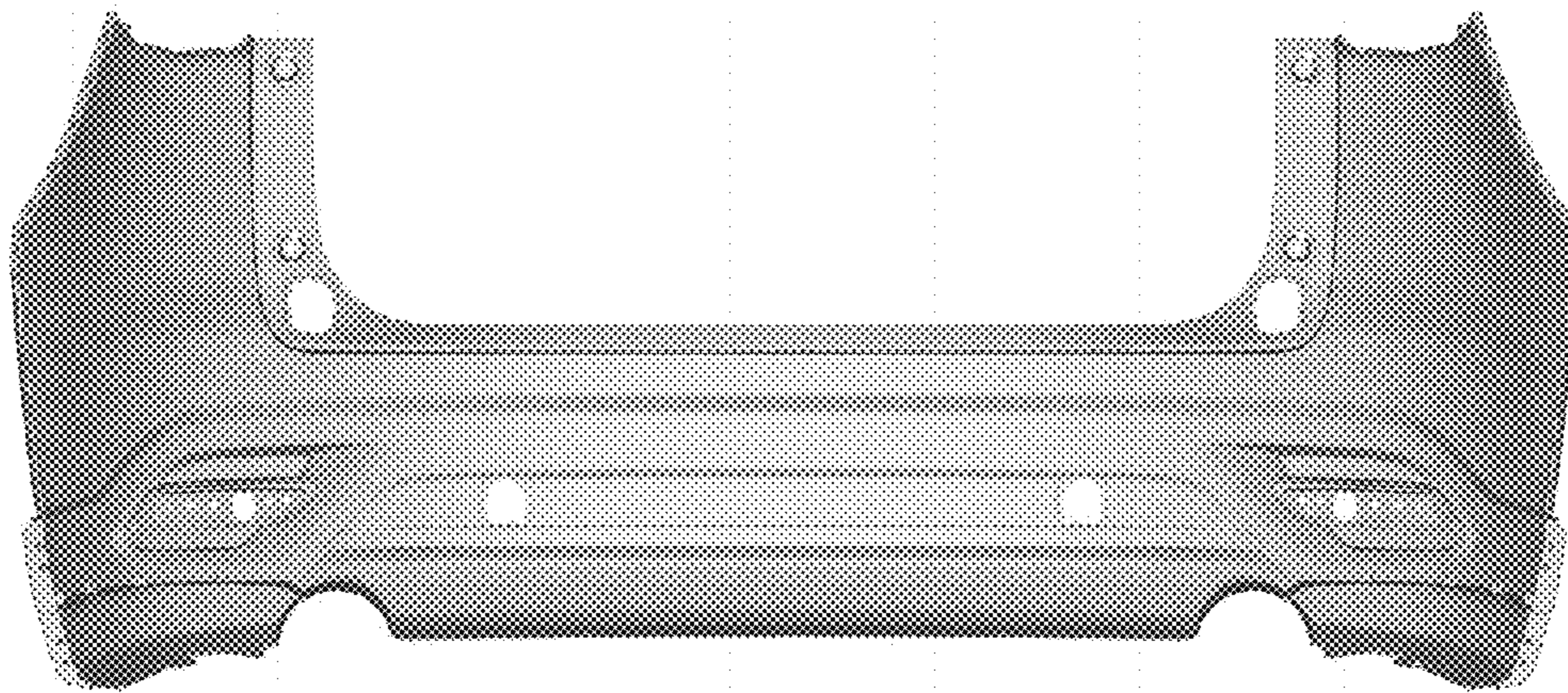


FIG. 3

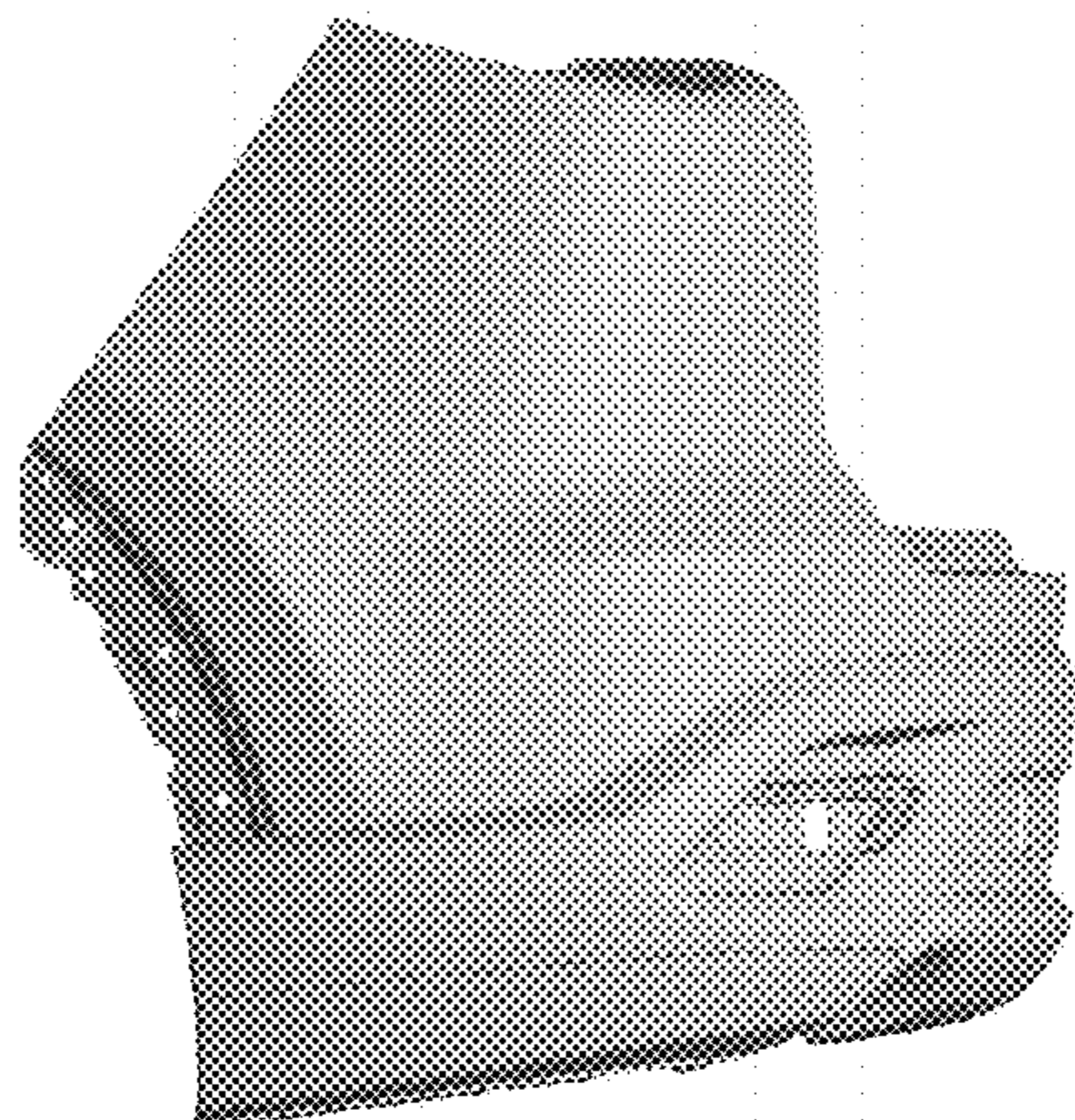


FIG. 4

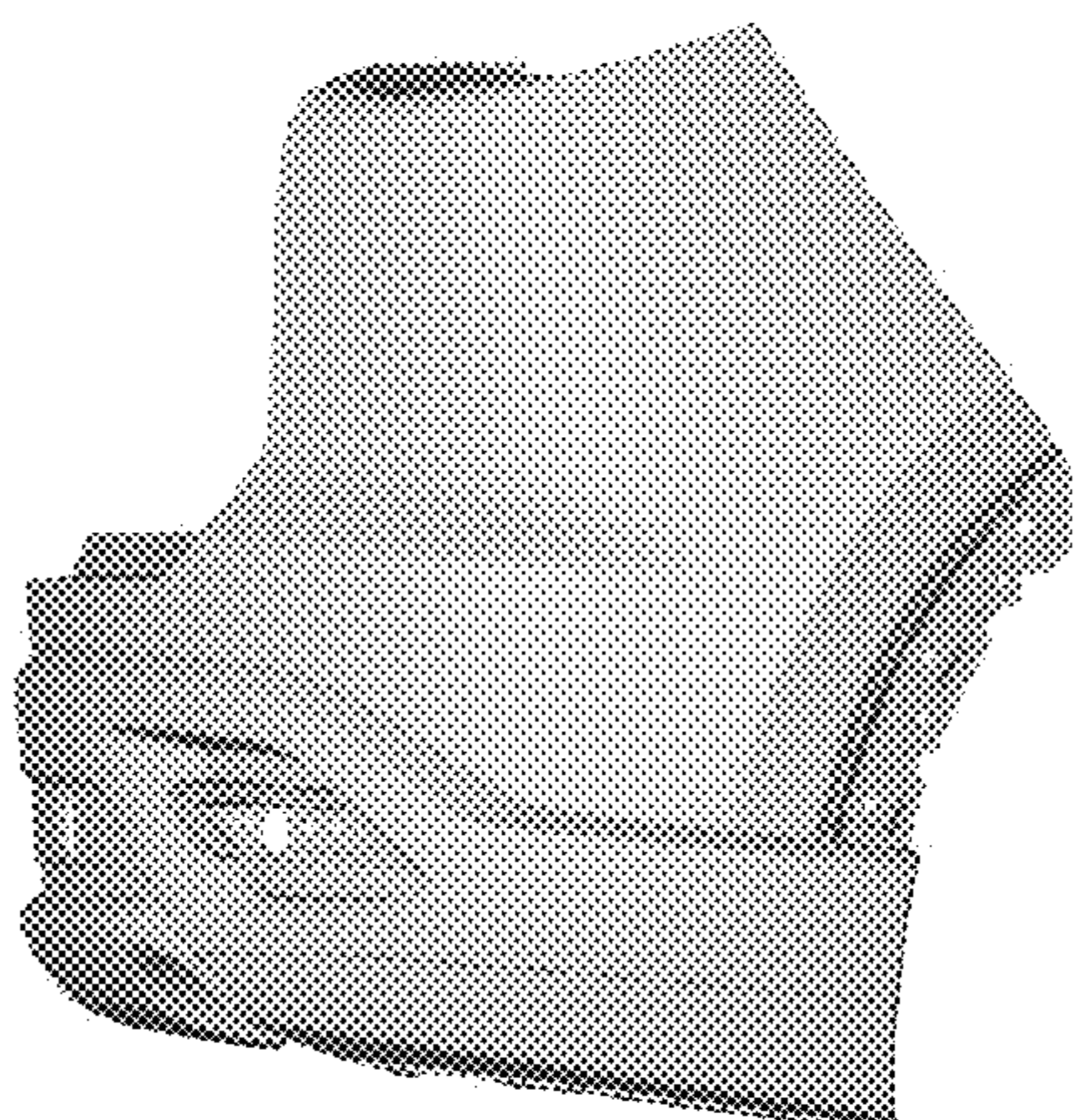


FIG. 5

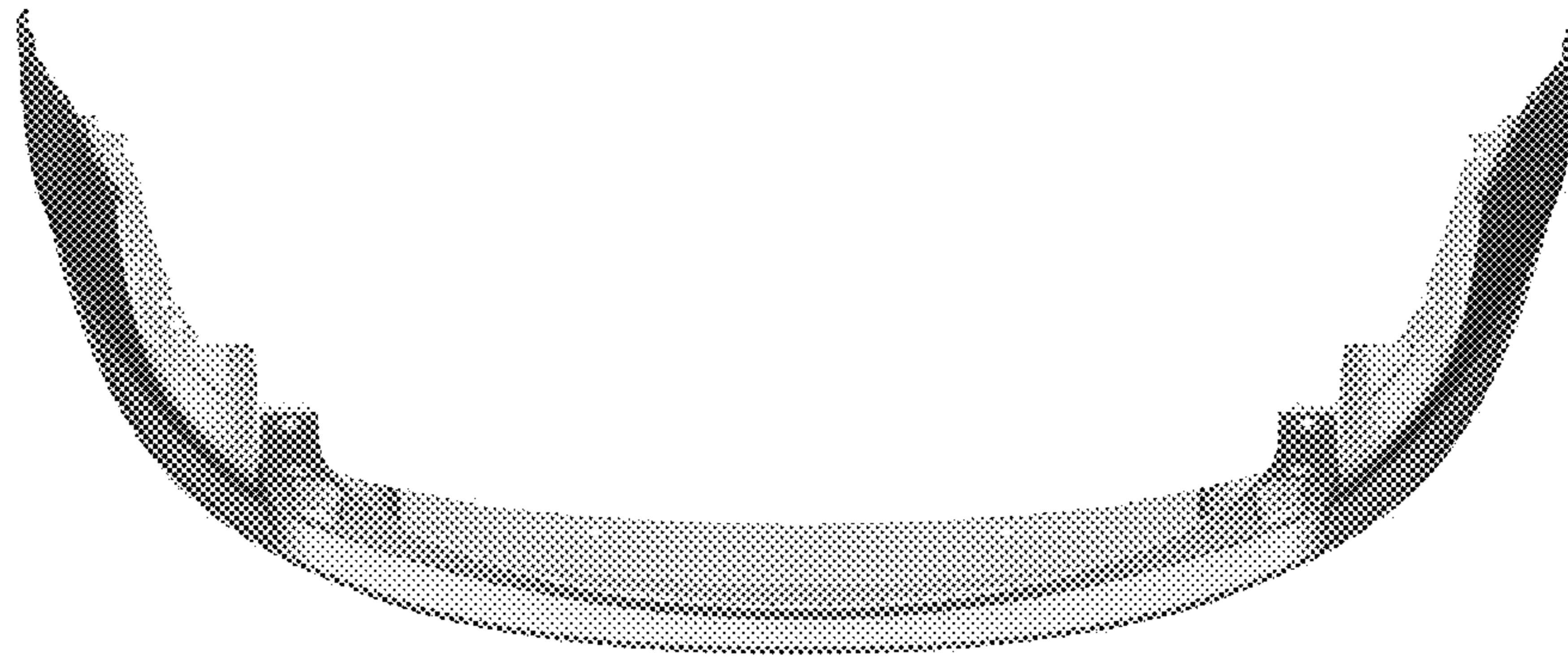


FIG. 6

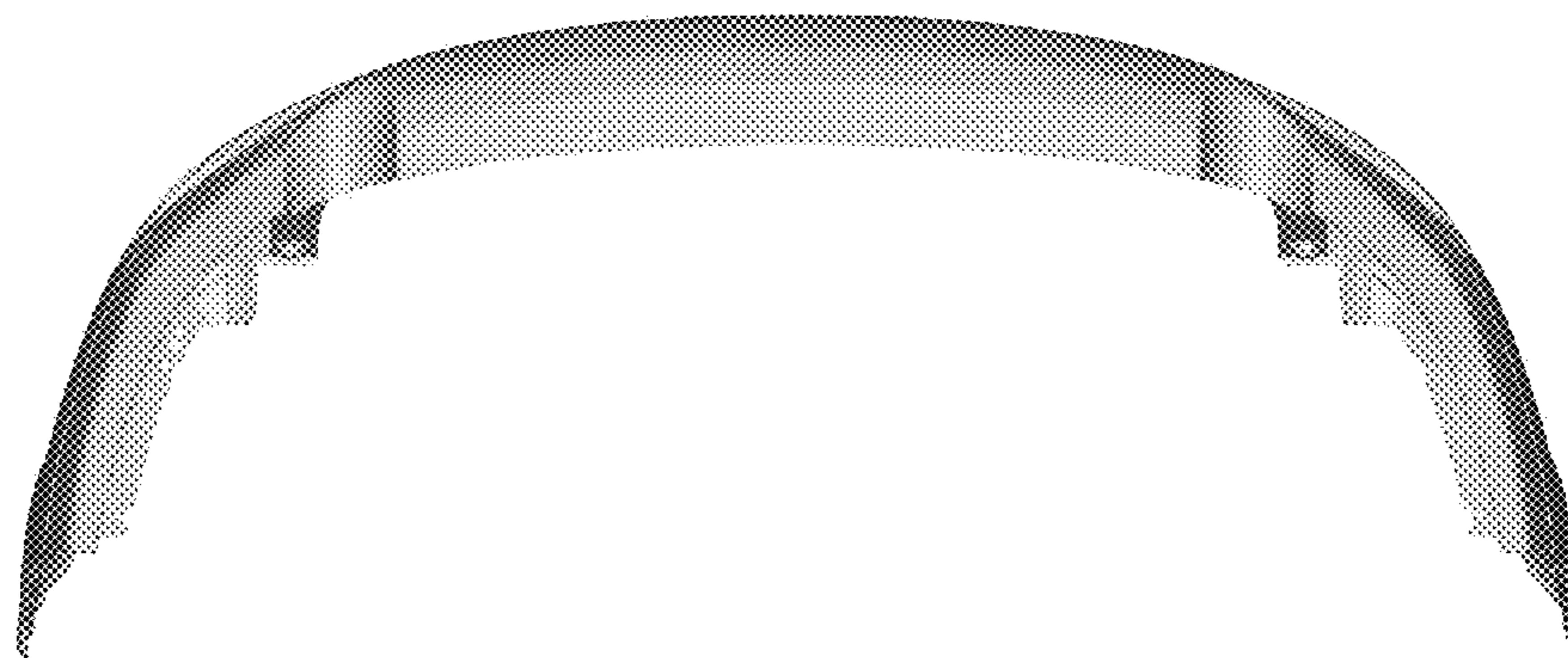


FIG. 7