



US00D761703S

(12) **United States Design Patent**  
**Song et al.**

(10) **Patent No.:** **US D761,703 S**  
(45) **Date of Patent:** **\*\* Jul. 19, 2016**

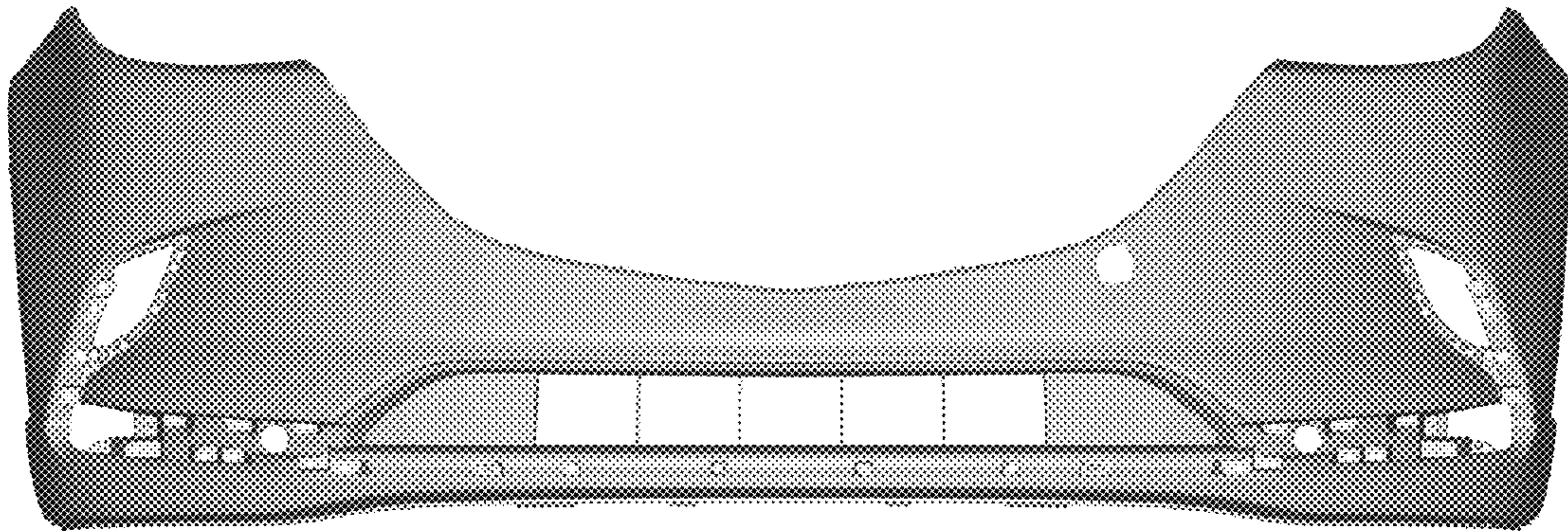
- (54) **BUMPER FOR MOTOR VEHICLE**
- (71) Applicant: **Mazda Motor Corporation**, Hiroshima (JP)
- (72) Inventors: **Siyoung Song**, Irvine, CA (US); **Ichiro Sakai**, Hiroshima (JP); **Shun Yamashita**, Hiroshima (JP); **Yasuyuki Murata**, Hiroshima (JP)
- (73) Assignee: **Mazda Motor Corporation**, Hiroshima (JP)
- (\*\*) Term: **15 Years**
- (21) Appl. No.: **29/529,669**
- (22) Filed: **Jun. 9, 2015**
- (51) **LOC (10) Cl.** ..... **12-16**
- (52) **U.S. Cl.**  
USPC ..... **D12/163**
- (58) **Field of Classification Search**  
USPC ..... D12/169, 163, 196, 171, 90-92, 216;  
293/102, 113, 115, 117, 120;  
296/180.1, 180.2  
CPC ... B60R 19/52; B60R 2019/25; B62D 25/084  
See application file for complete search history.

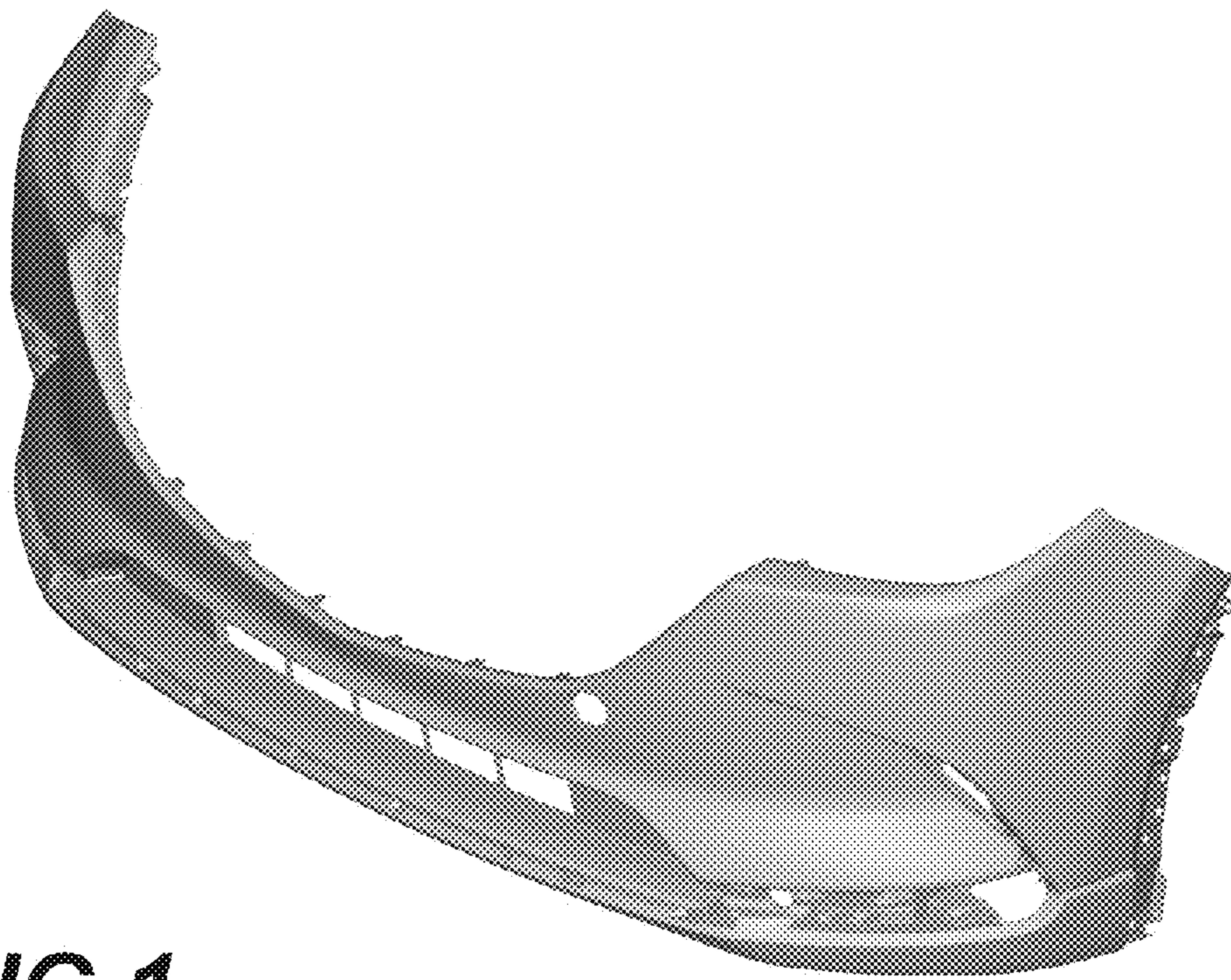
- (56) **References Cited**  
U.S. PATENT DOCUMENTS  
D690,628 S \* 10/2013 Minamisawa ..... D12/169  
D698,707 S \* 2/2014 Nakamura ..... D12/169  
D701,803 S \* 4/2014 Campbell ..... D12/169  
D711,792 S \* 8/2014 Tsuchida ..... D12/169  
D721,305 S \* 1/2015 George ..... D12/169  
D721,624 S \* 1/2015 George ..... D12/169  
D745,446 S \* 12/2015 Takahashi ..... D12/169  
\* cited by examiner  
*Primary Examiner* — Melody N Brown  
(74) *Attorney, Agent, or Firm* — Studebaker & Brackett PC

(57) **CLAIM**  
The ornamental design for a bumper for motor vehicle, as shown and described.

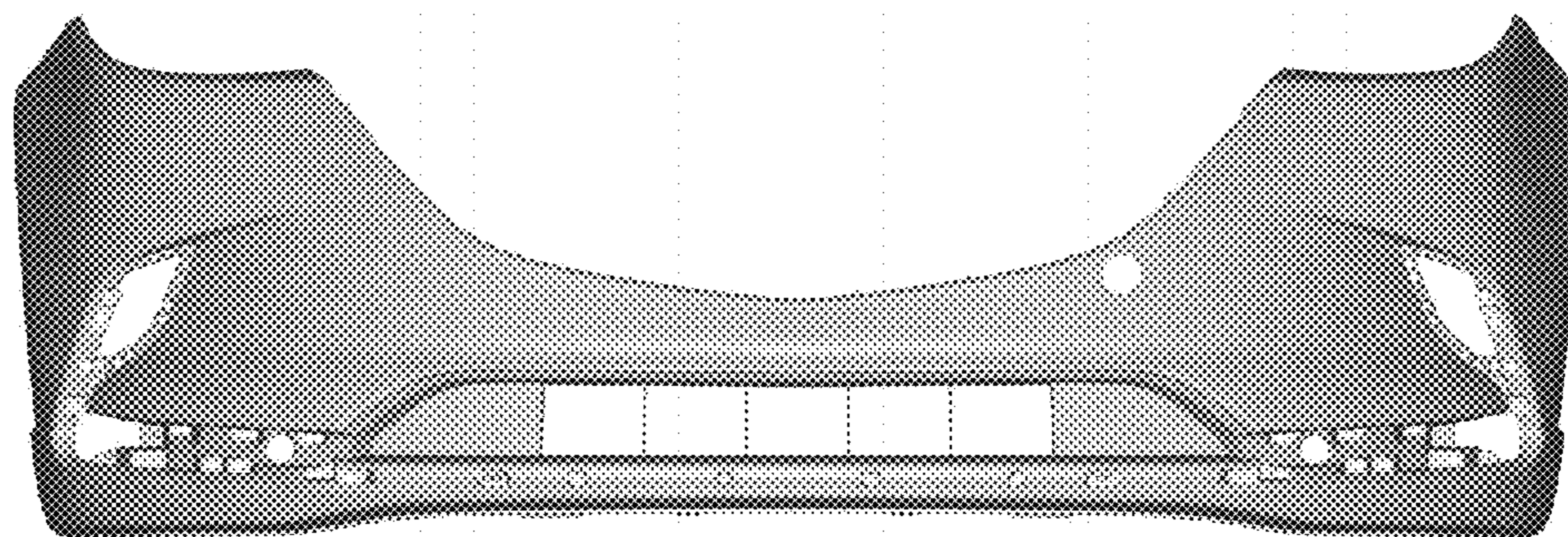
**DESCRIPTION**  
FIG. 1 is a perspective view of a bumper for motor vehicle; FIG. 2 is a front view thereof; FIG. 3 is a rear view thereof; FIG. 4 is a left side view thereof; FIG. 5 is a right side view thereof; FIG. 6 is a top view thereof; and, FIG. 7 is a bottom view thereof.

**1 Claim, 4 Drawing Sheets**

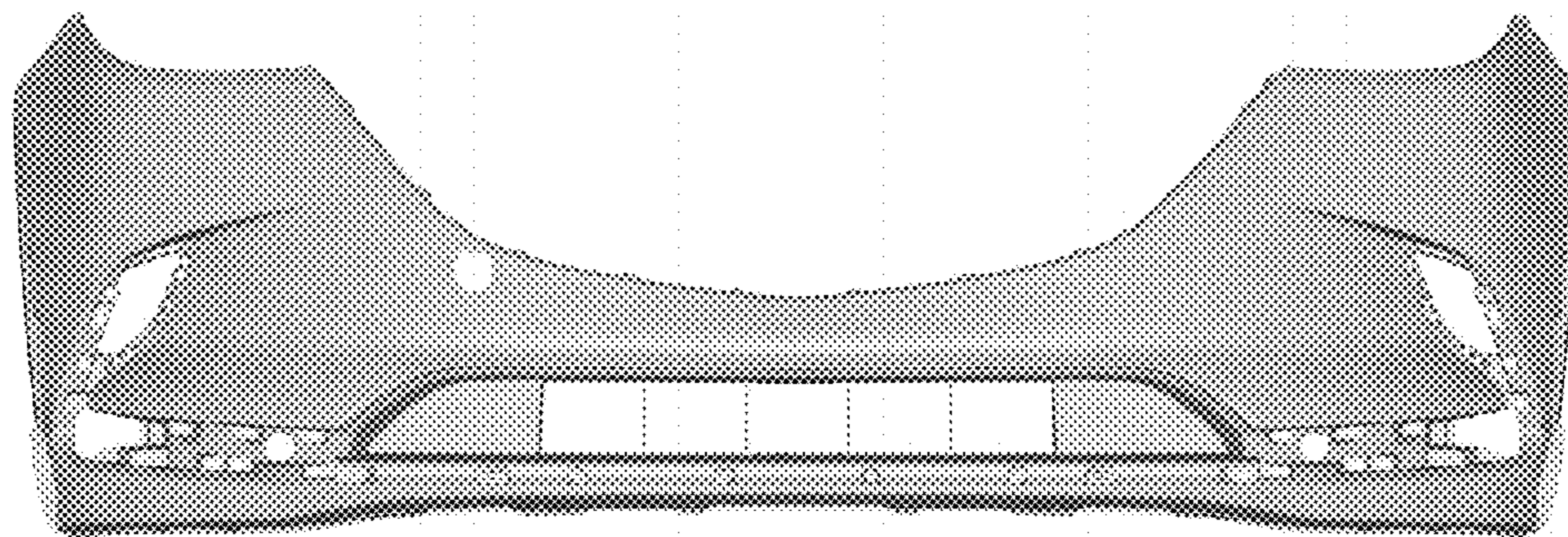




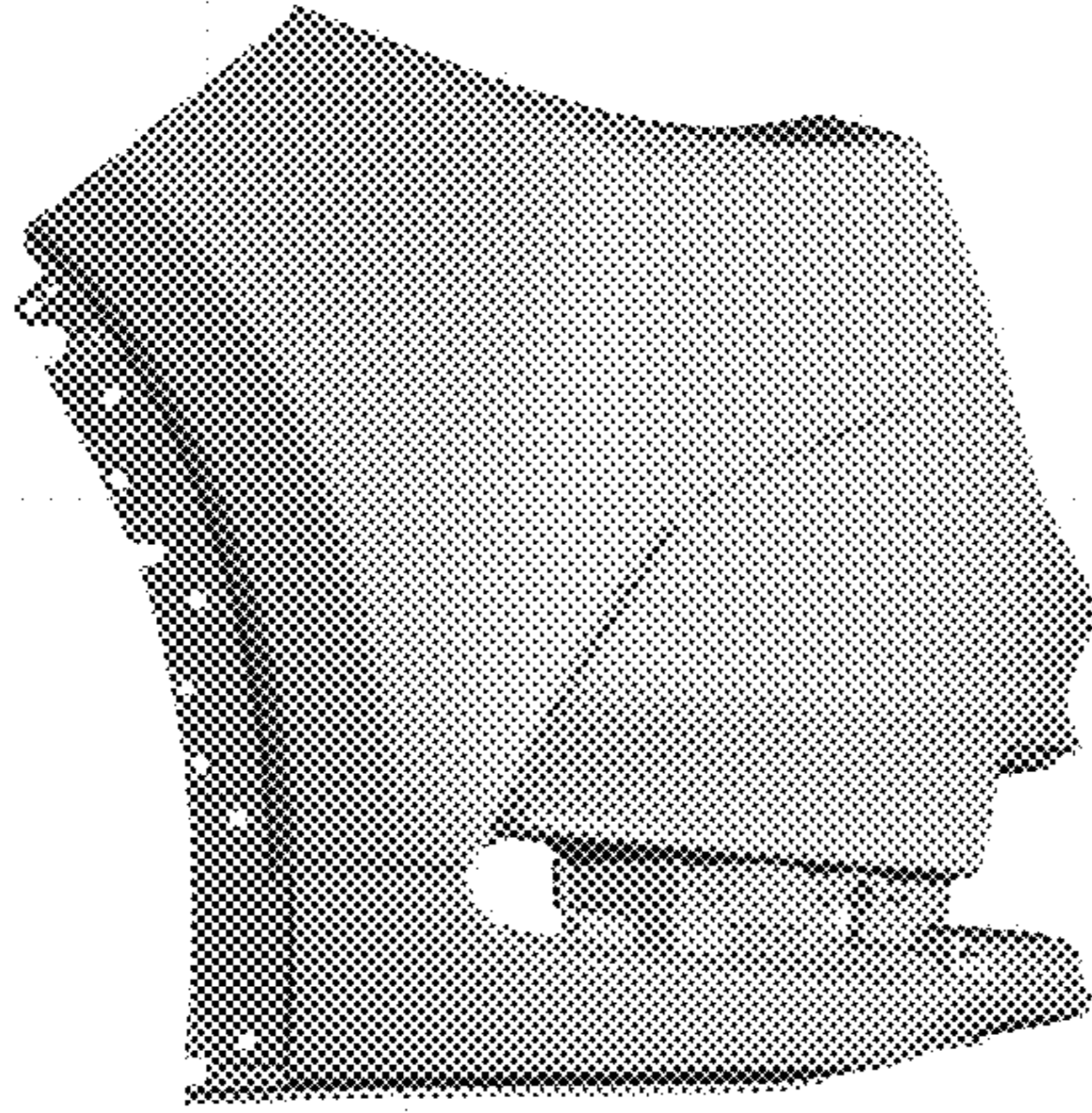
**FIG.1**



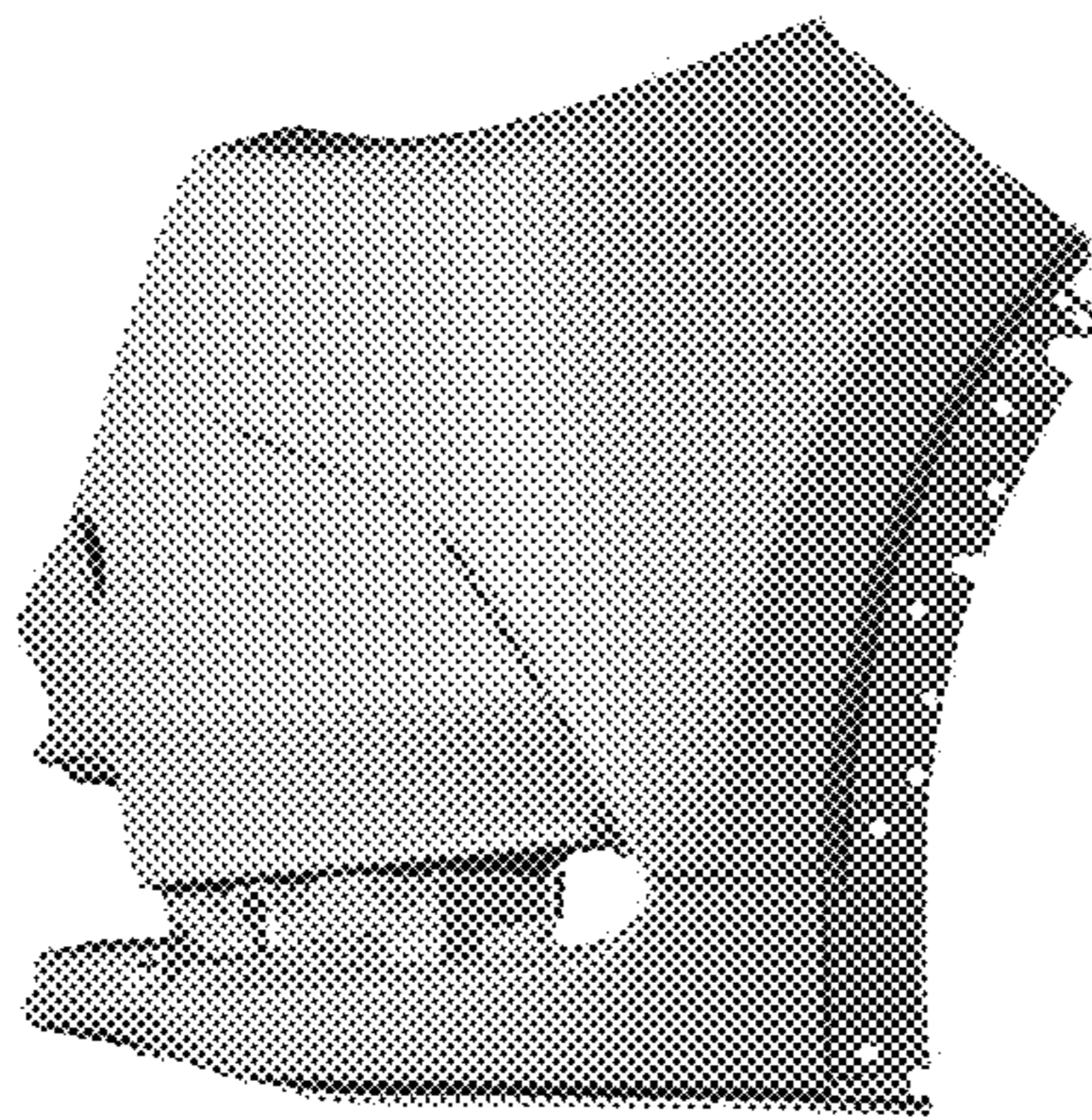
**FIG. 2**



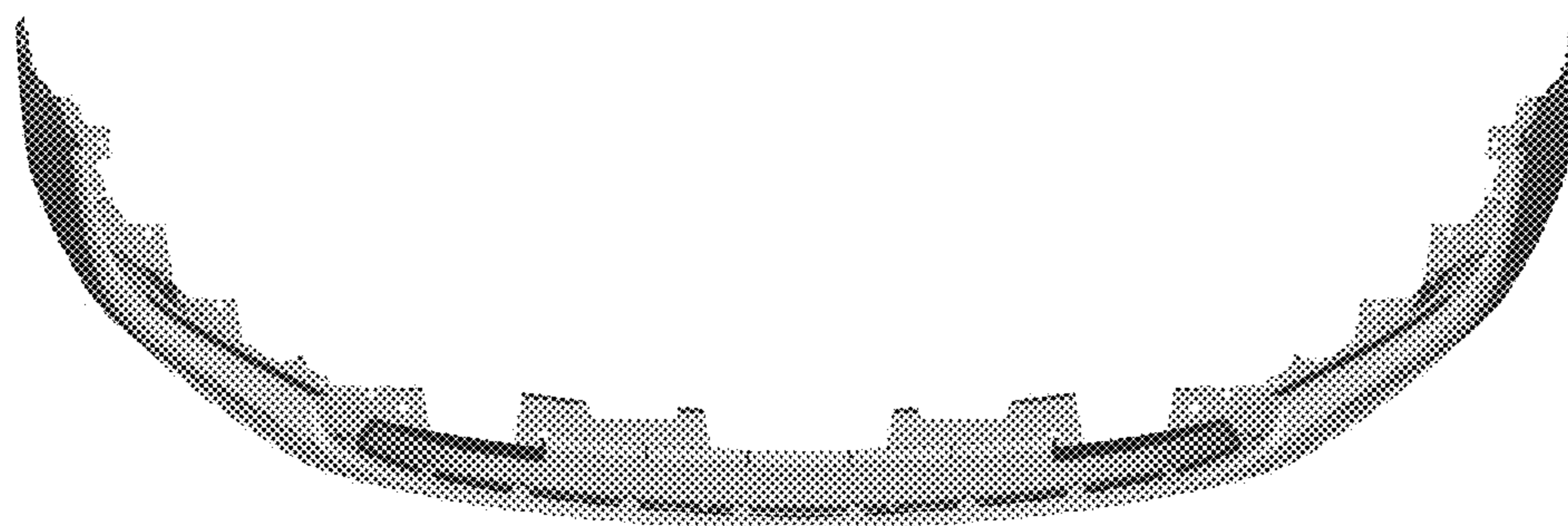
**FIG. 3**



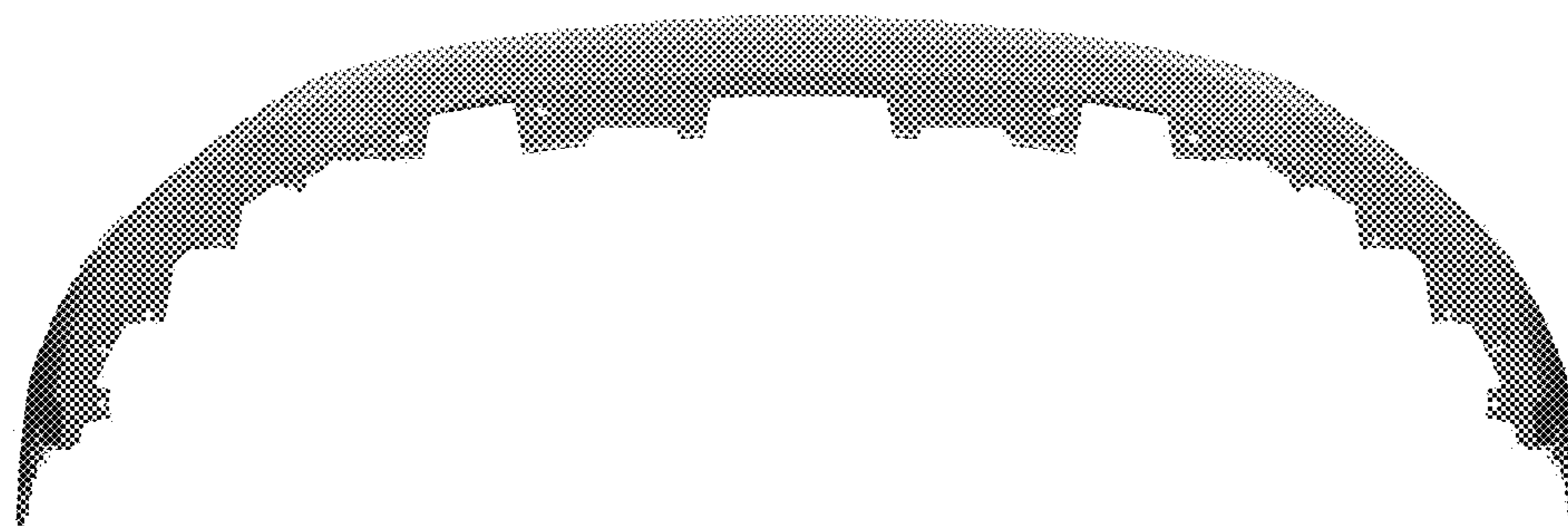
**FIG. 4**



**FIG. 5**



**FIG. 6**



**FIG. 7**