



US00D761702S

(12) **United States Design Patent**
Kobayashi et al.

(10) **Patent No.:** **US D761,702 S**
(45) **Date of Patent:** **** Jul. 19, 2016**

(54) **MOTORCYCLE**

(71) Applicant: **Kawasaki Jukogyo Kabushiki Kaisha,**
Hyogo (JP)

(72) Inventors: **Mitsuru Kobayashi,** Kobe (JP); **Takumi Uemoto,** Kobe (JP)

(73) Assignee: **Kawasaki Jukogyo Kabushiki Kaisha,**
Hyogo (JP)

(**) Term: **14 Years**

(21) Appl. No.: **29/521,257**

(22) Filed: **Mar. 20, 2015**

(30) **Foreign Application Priority Data**

Sep. 25, 2014 (JP) 2014-021173

(51) **LOC (10) Cl.** **12-11**

(52) **U.S. Cl.**
USPC **D12/118**

(58) **Field of Classification Search**
USPC D12/109, 110, 111, 114, 117, 126, 184,
D12/186; D21/432, 458, 538; 180/210–217,
180/219, 220, 225, 229, 908; 280/103, 124,
280/152.1–152.3, 288.2, 288.4, 304.3, 770,
280/827, 828, 847, 848; 296/77.1, 78.1,
296/181.1, 187.01, 187.12, 192, 193.01,
296/193.04, 193.05, 193.09; 446/440
CPC B62D 37/00; B62D 57/00; B62K 9/00;
B62K 11/04; B62K 17/00; B62K 19/48;
B62M 7/12; F02B 61/02; A63H 17/21;
B62J 17/00; B62J 1/04; B62J 29/00
See application file for complete search history.

(56) **References Cited**

U.S. PATENT DOCUMENTS

4,809,800 A * 3/1989 Suzuki B62K 11/00
180/219
D333,806 S * 3/1993 Davidson D12/110

D392,601 S * 3/1998 Ban D12/110
D401,892 S * 12/1998 Sugimoto D12/110
D407,047 S * 3/1999 Otsubo D12/110
D447,985 S * 9/2001 Ino D12/110
D506,163 S * 6/2005 Uemoto D12/110
D588,503 S * 3/2009 Idei D12/110
D605,088 S * 12/2009 Tanaka D12/110
D723,979 S * 3/2015 Yu D12/110
D732,436 S * 6/2015 Christoph D12/110
D734,214 S * 7/2015 Honda D12/110
D744,906 S * 12/2015 Song D12/110

OTHER PUBLICATIONS

Canet, Don. "2015 Kawasaki Vulcan S ABS-First Ride." Cycle World., Jan. 22, 2015. [online], [retrieved on Mar. 12, 2016]. Retrieved from the Internet <URL: <http://www.cycleworld.com/2015/01/22/2015-kawasaki-vulcan-s-abs-cruiser-motorcycle-review-first-ride-photos-specifications/>>.*

* cited by examiner

Primary Examiner — Philip S Hyder
Assistant Examiner — Darlington Ly

(57) **CLAIM**

The ornamental design for a motorcycle, as shown and described.

DESCRIPTION

FIG. 1 is a front elevation view of a motorcycle showing our new design;
FIG. 2 is a rear elevation view thereof;
FIG. 3 is a left side elevation view thereof;
FIG. 4 is a right side elevation view thereof;
FIG. 5 is a top plan view thereof;
FIG. 6 is a front left perspective view thereof; and,
FIG. 7 is a rear right perspective view thereof.
The dark and light grayed surfaces do not represent a color nor a pattern but are intended to represent shading on the surface of the drawings.

1 Claim, 7 Drawing Sheets

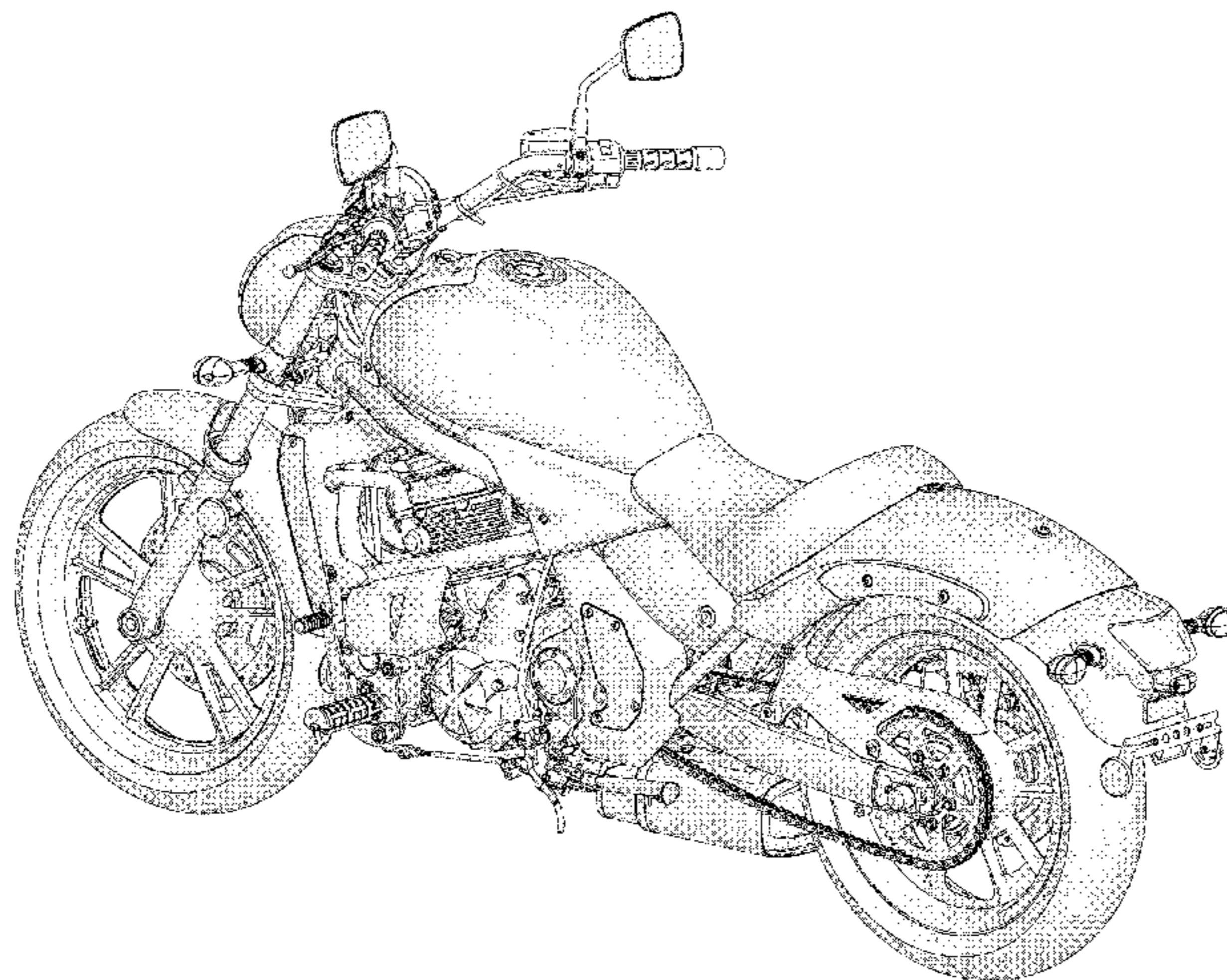


Fig. 1

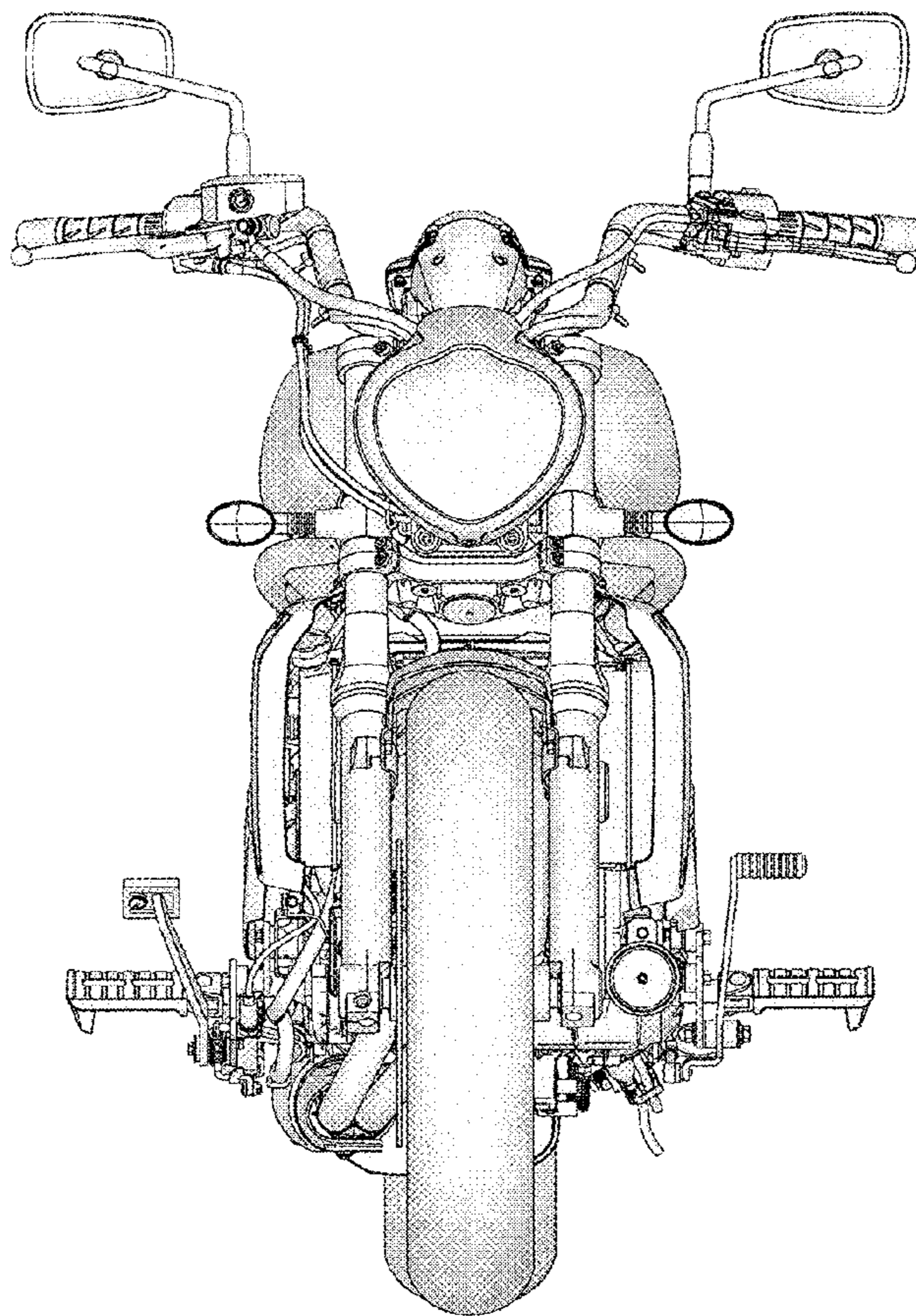
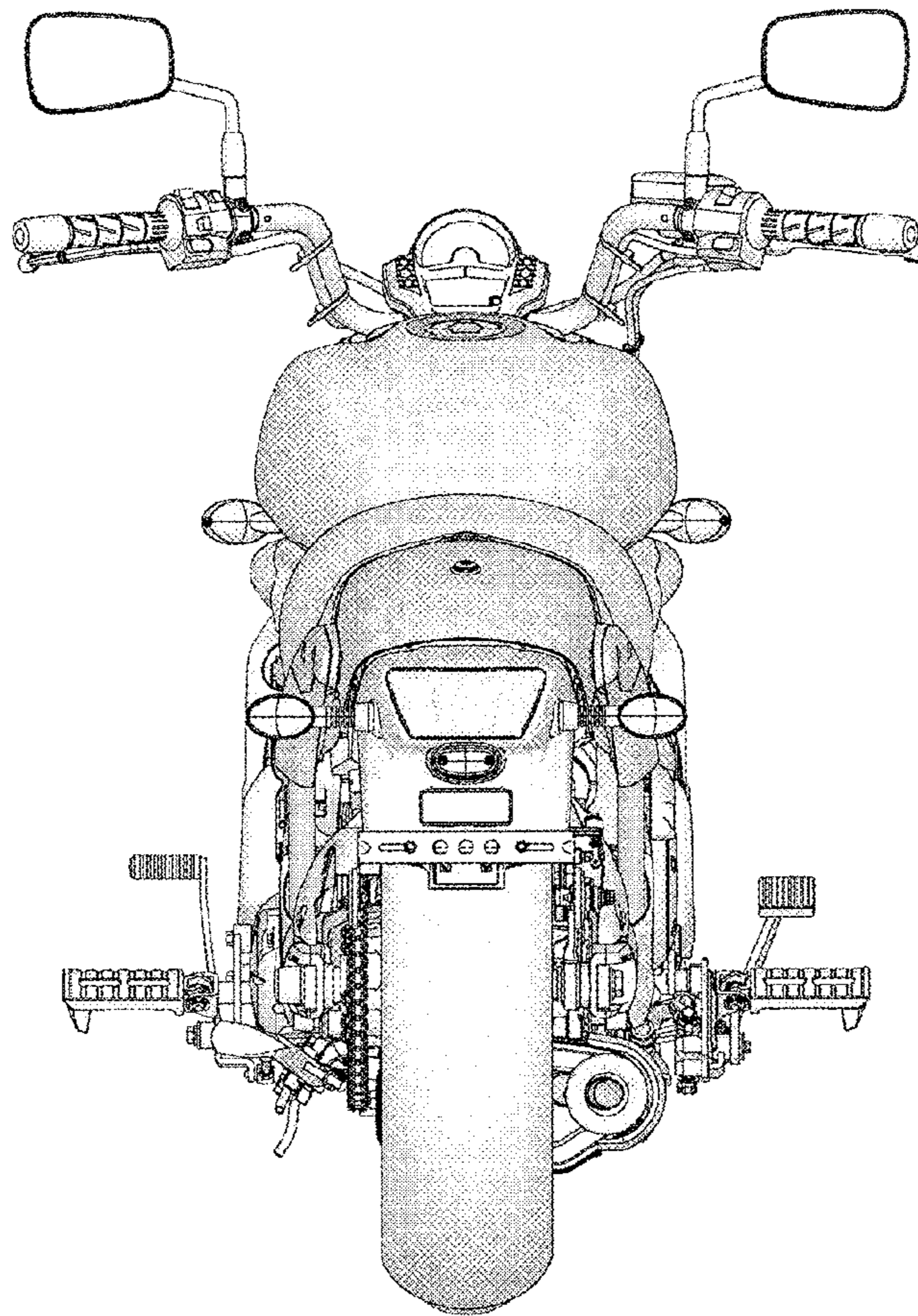


Fig. 2



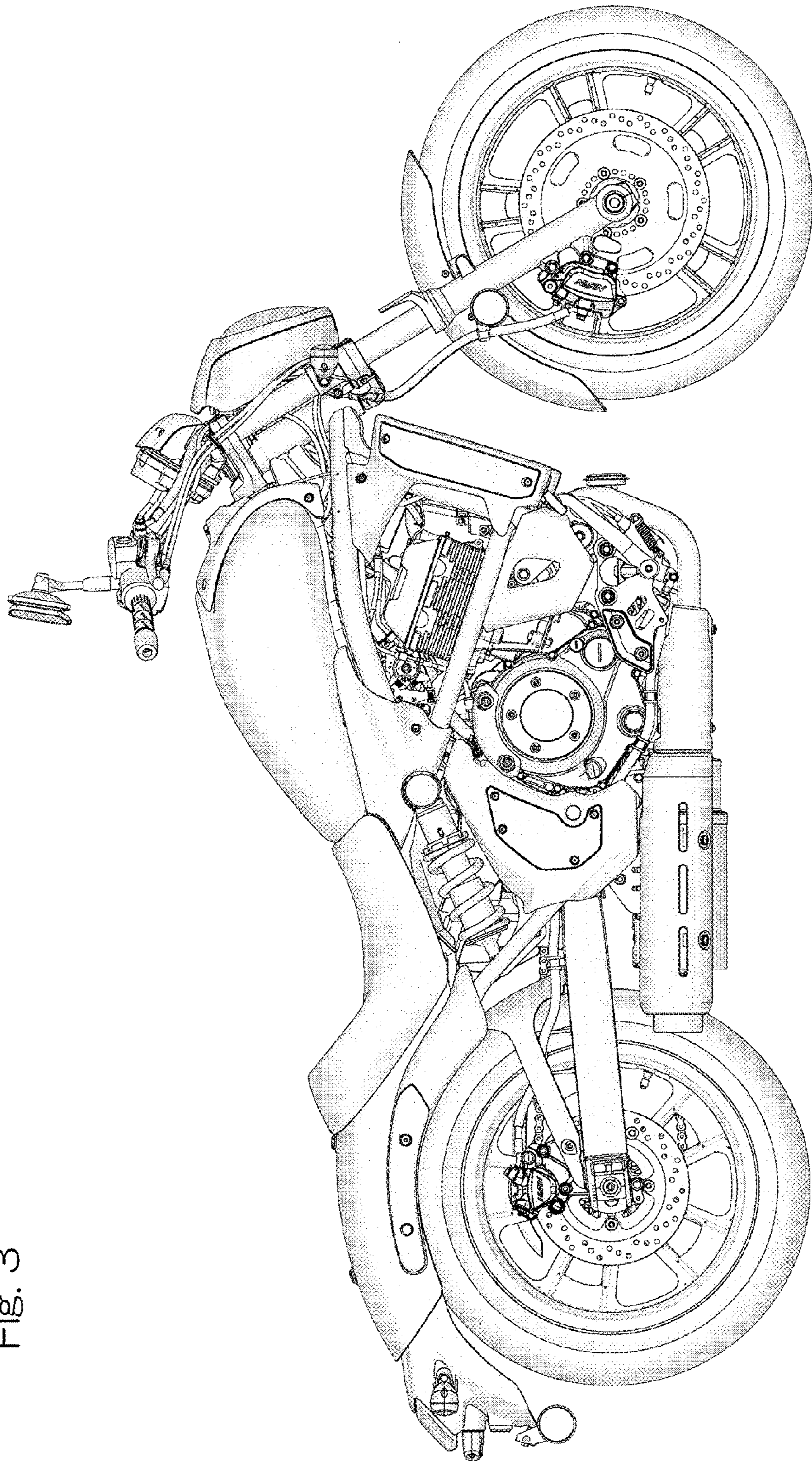


Fig. 3

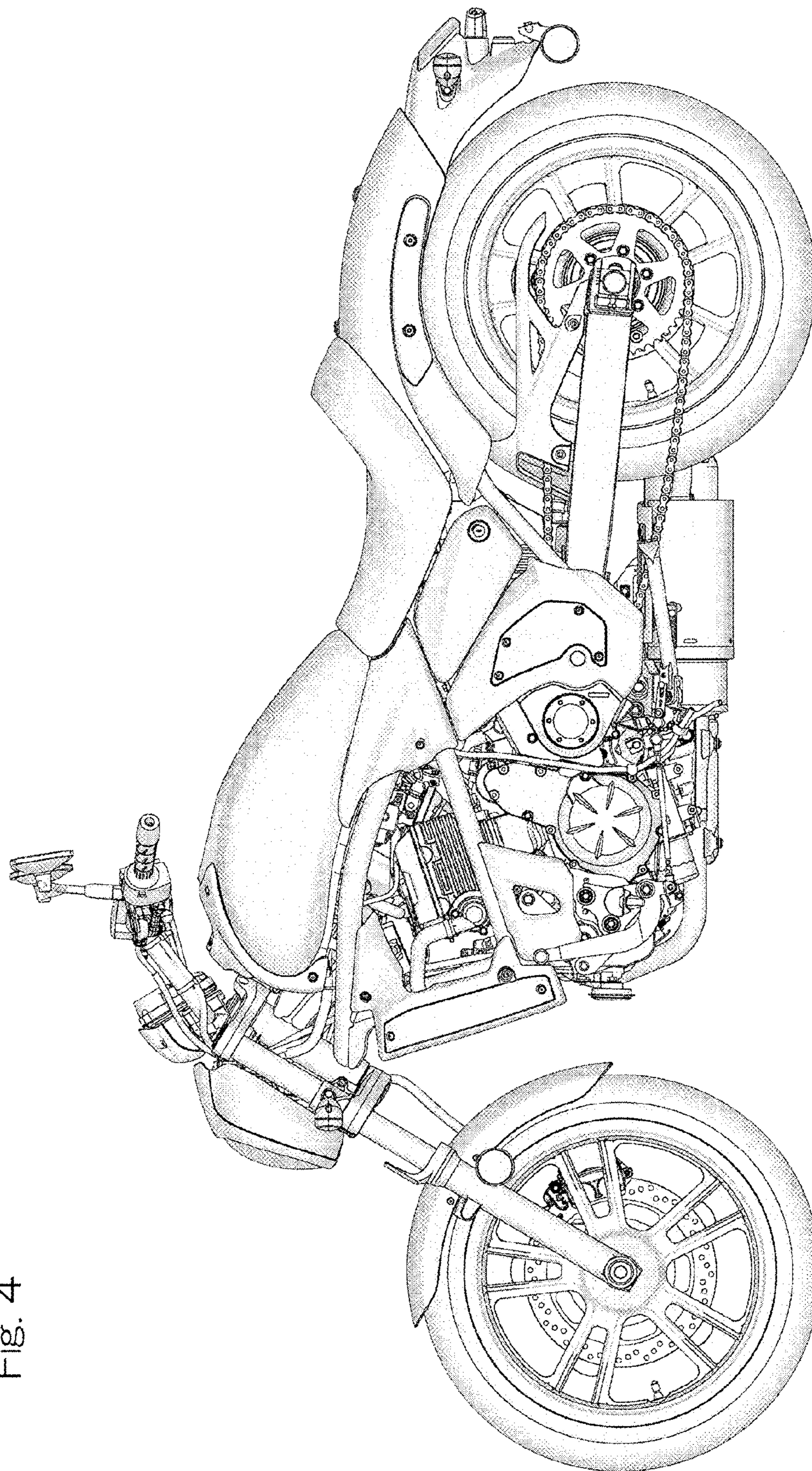
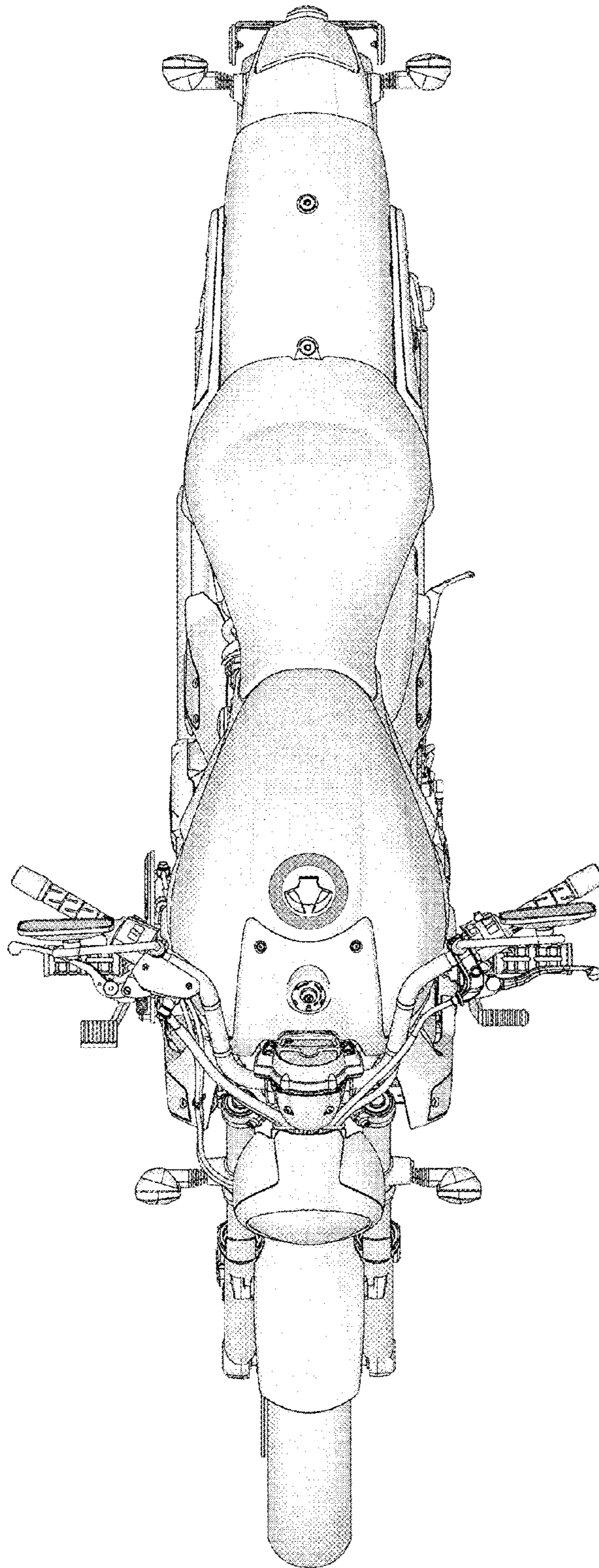


Fig. 4

Fig. 5



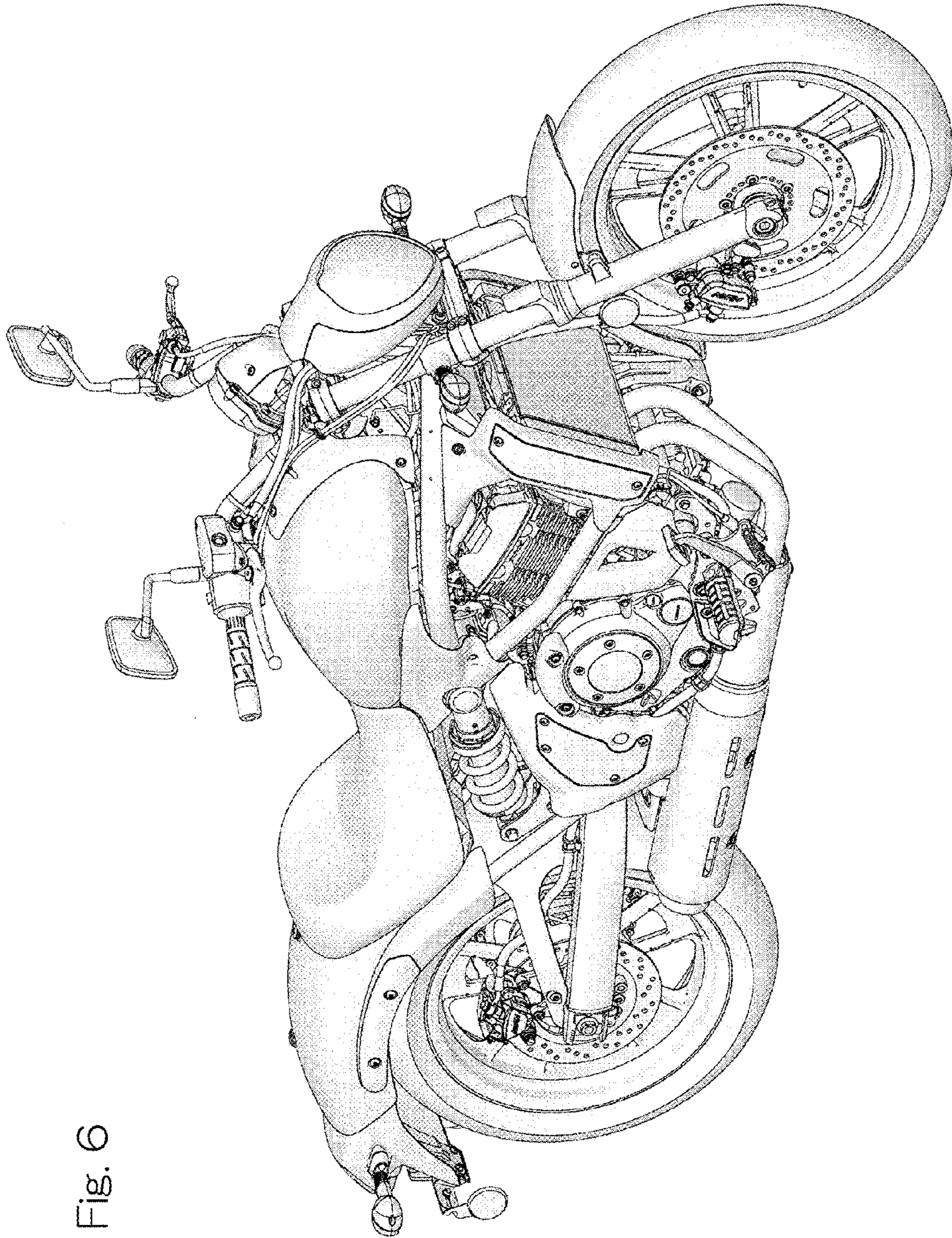


Fig. 6

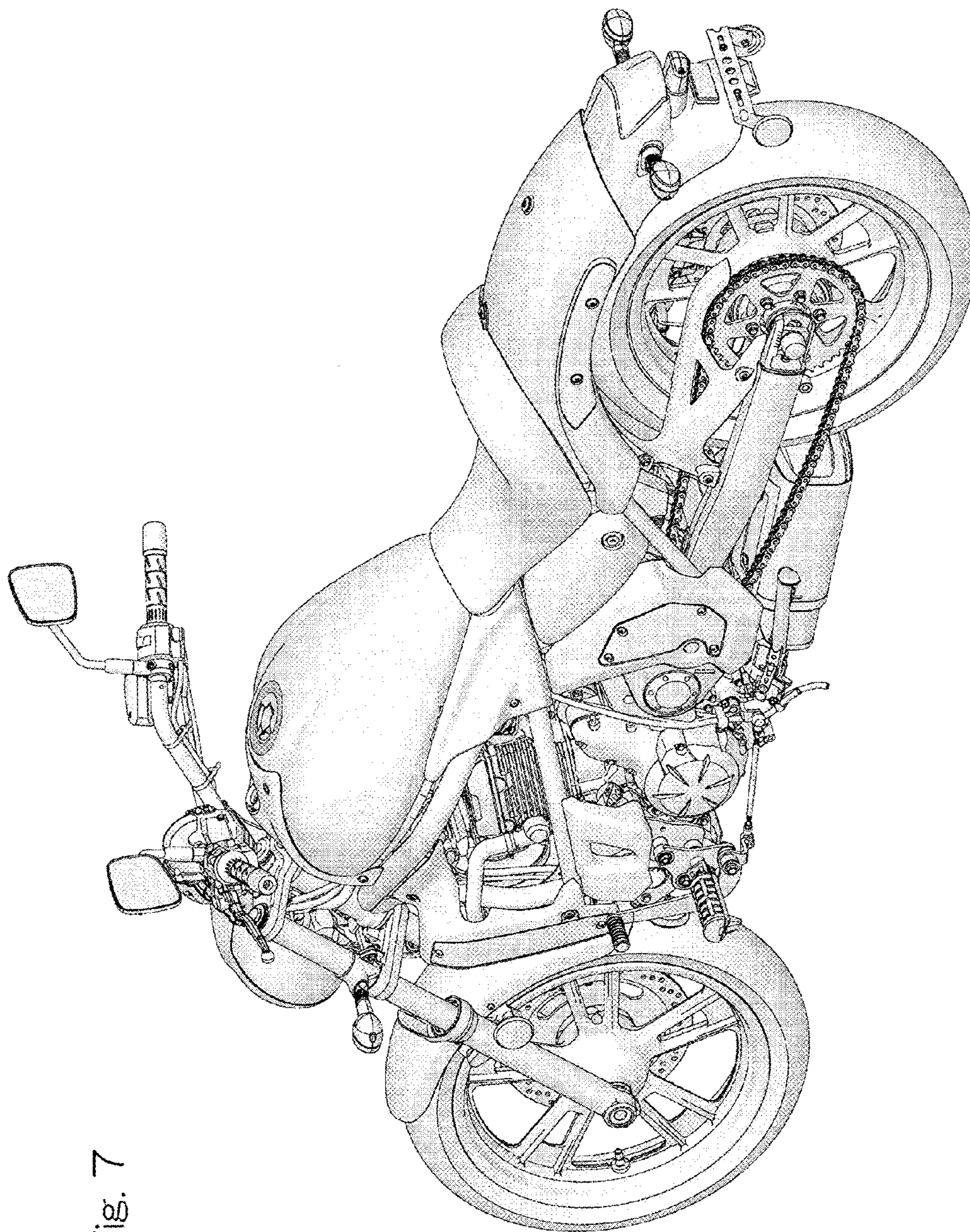


Fig. 7