



US00D761700S

(12) **United States Design Patent**  
**Kermani**

(10) **Patent No.:** **US D761,700 S**  
(45) **Date of Patent:** **\*\* Jul. 19, 2016**

(54) **DRIFTING KART**

(71) Applicant: **Ali Kermani**, Huntington Beach, CA  
(US)

(72) Inventor: **Ali Kermani**, Huntington Beach, CA  
(US)

(\*\*) Term: **14 Years**

(21) Appl. No.: **29/488,366**

(22) Filed: **Apr. 17, 2014**

D249,496 S *	9/1978	Morgan	.....	D12/112
D252,714 S *	8/1979	Tidwell	.....	D21/426
4,403,673 A	9/1983	Ball		
D276,058 S *	10/1984	Rogers	.....	D21/426
D280,916 S *	10/1985	Castle	.....	D21/426
D320,420 S *	10/1991	Dupont	.....	D21/426
D320,586 S *	10/1991	Tellinghuisen	.....	D12/112
5,257,671 A	11/1993	Watkins		
5,628,379 A	5/1997	Watkins		
5,904,218 A	5/1999	Watkins		
D582,992 S *	12/2008	Alais	.....	D21/426
7,712,558 B2	5/2010	Helson et al.		

(Continued)

**Related U.S. Application Data**

(63) Continuation of application No. 13/745,648, filed on Jan. 18, 2013, now Pat. No. 8,875,831, which is a continuation of application No. 12/888,672, filed on Sep. 23, 2010, now Pat. No. 8,356,686, which is a continuation of application No. 12/505,955, filed on Jul. 20, 2009, now Pat. No. 7,823,675.

(51) **LOC (10) Cl.** ..... **12-11**

(52) **U.S. Cl.**  
USPC ..... **D12/112; D21/426**

(58) **Field of Classification Search**  
USPC ..... D21/412, 414, 431-435; D12/1, 107, D12/110-114, 129, 130, 133; 280/87.01, 280/87.021, 87.05, 87.051, 47.17, 47.25, 280/47.34, 47.38, 47.4, 827, 828, 29, 200, 280/263, 266, 267, 270, 282, 288.4, 291, 280/293; 297/5; 482/68  
CPC ..... A63G 25/00; B62D 21/183; B62D 39/00; B60K 7/0007

See application file for complete search history.

(56) **References Cited**

**U.S. PATENT DOCUMENTS**

3,533,484 A *	10/1970	Wood, Jr.	.....	180/206.4
D246,198 S *	10/1977	Rose	.....	D21/426

**FOREIGN PATENT DOCUMENTS**

CN	2936826	8/2007
CN	200977859	11/2007

*Primary Examiner* — Philip S Hyder

*Assistant Examiner* — Darlington Ly

(74) *Attorney, Agent, or Firm* — Knobbe, Martens, Olson & Bear LLP

(57) **CLAIM**

The ornamental design for a drifting kart, as shown and described.

**DESCRIPTION**

FIG. 1 is a perspective view of a drifting kart which embodies my design.

FIG. 2 is a left side view of the drifting kart of FIG. 1. The right side view of the drifting kart of FIG. 1 is the mirror image of FIG. 2, except the hand lever would be partially hidden behind the seat and the steering mechanism would be turned in the opposite direction.

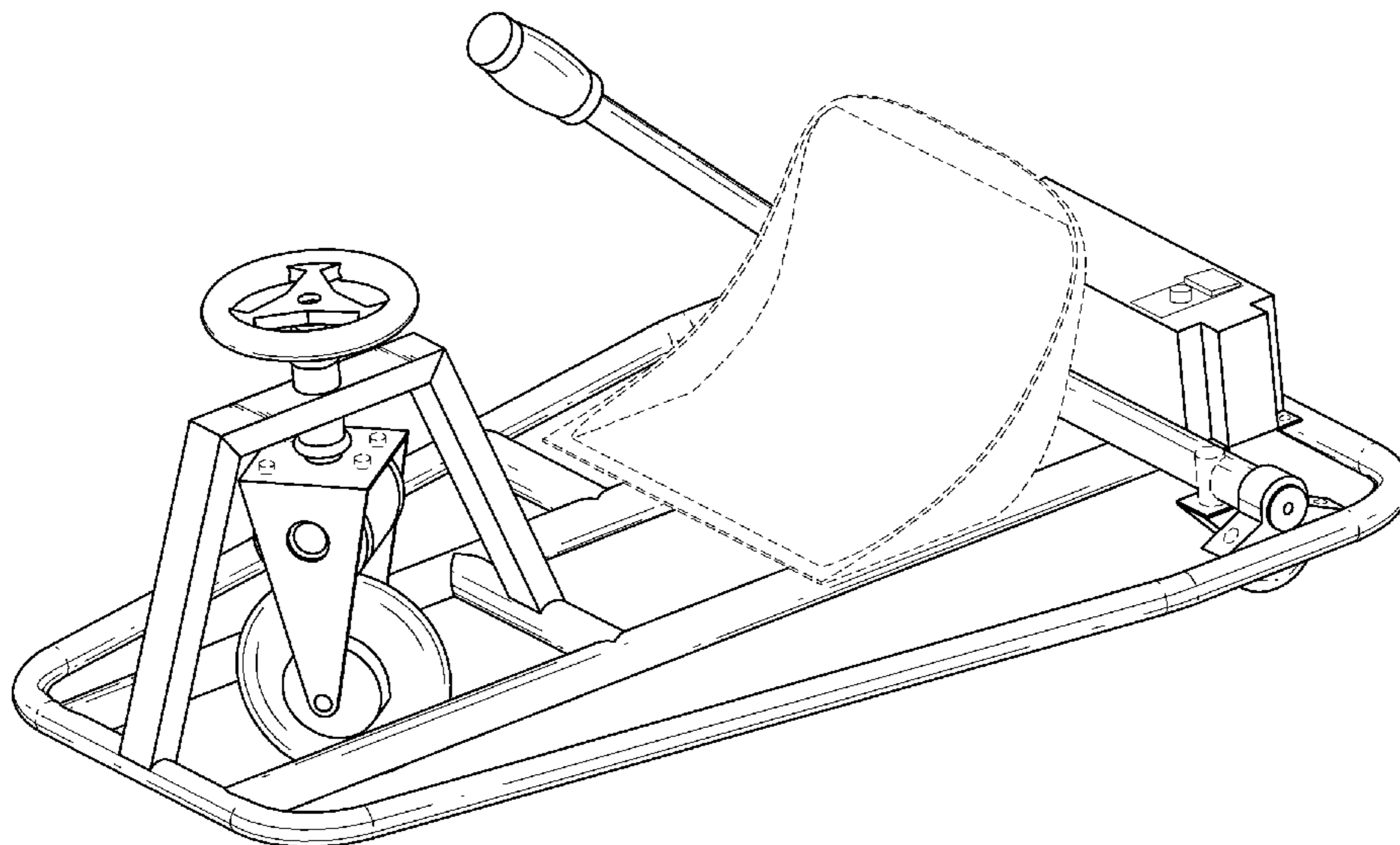
FIG. 3 is a front view of the drifting kart of FIG. 1.

FIG. 4 is a rear view of the drifting kart of FIG. 1; and,

FIG. 5 is a top view of the drifting kart of FIG. 1.

All broken lines depict portions of the drifting kart which form no part of the claimed design.

**1 Claim, 5 Drawing Sheets**



(56)

**References Cited**

U.S. PATENT DOCUMENTS

7,823,675 B2 11/2010 Kermani  
8,356,686 B2 1/2013 Kermani  
8,365,850 B2 2/2013 Gal et al.  
D692,505 S \* 10/2013 Jiang ..... D21/426

D692,506 S \* 10/2013 Jiang ..... D21/426  
2004/0040769 A1 3/2004 Richey et al.  
2004/0199311 A1\* 10/2004 Aguilar et al. .... 701/36  
2007/0045022 A1 3/2007 Greig et al.  
2010/0032223 A1\* 2/2010 Kermani ..... 180/216

\* cited by examiner

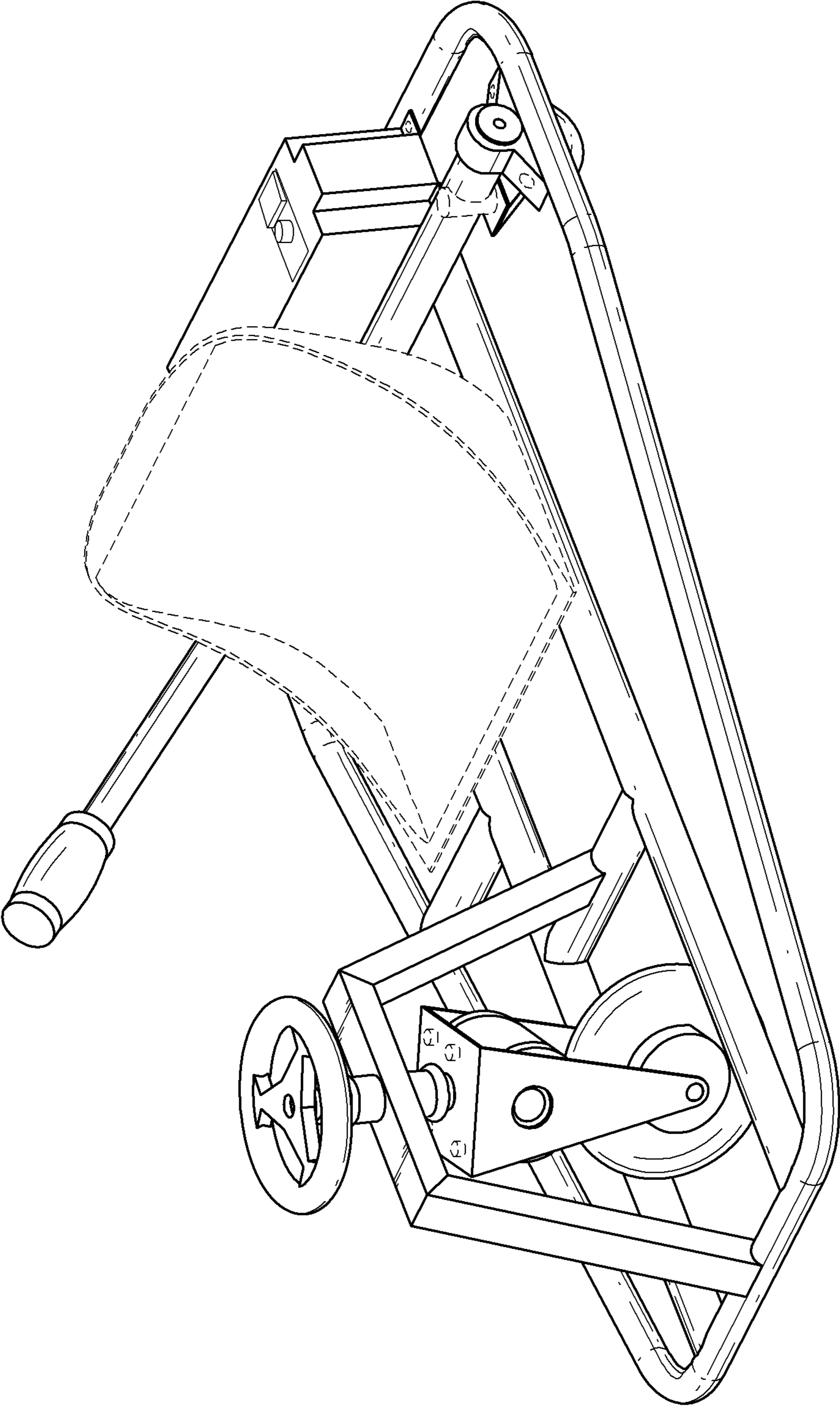


FIG. 1

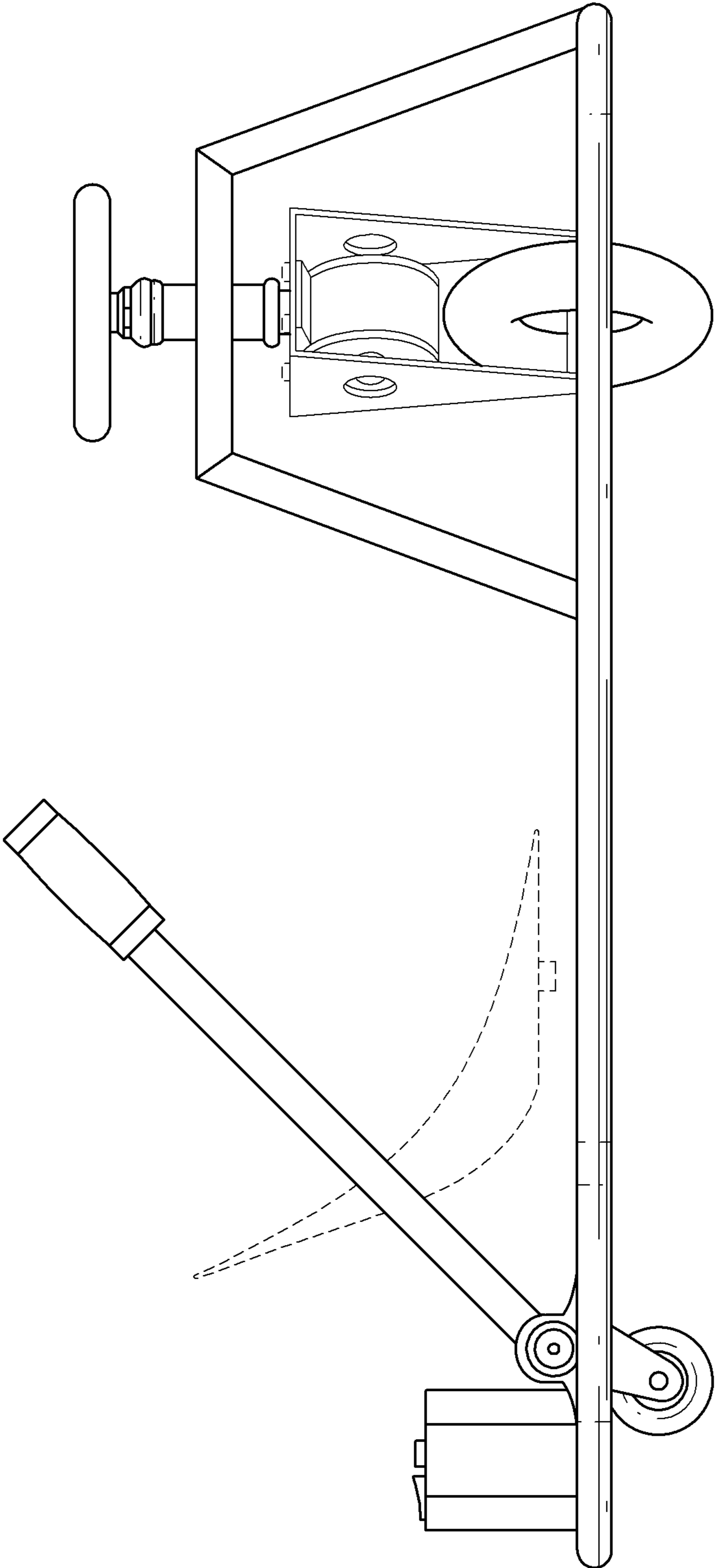


FIG. 2

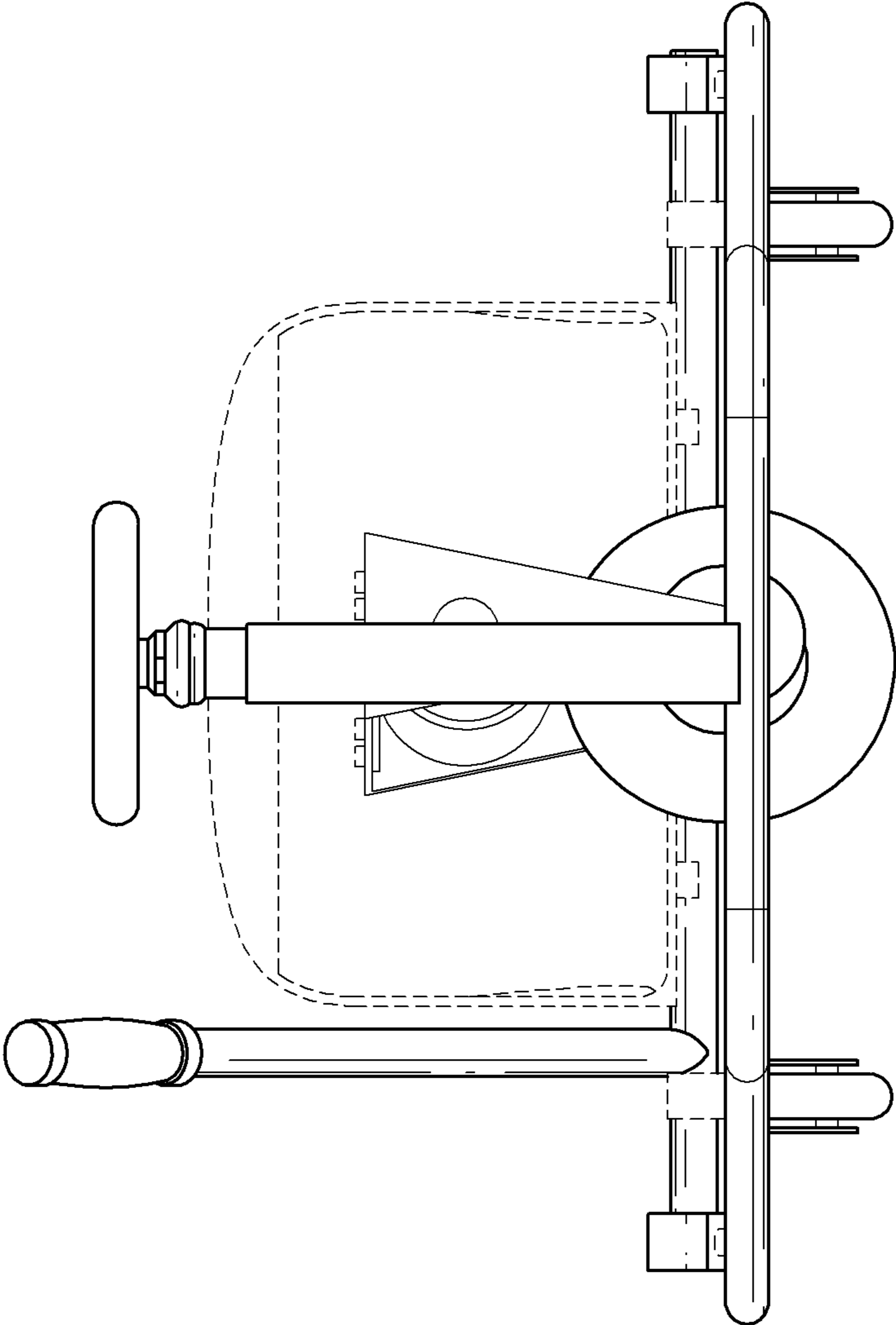


FIG. 3

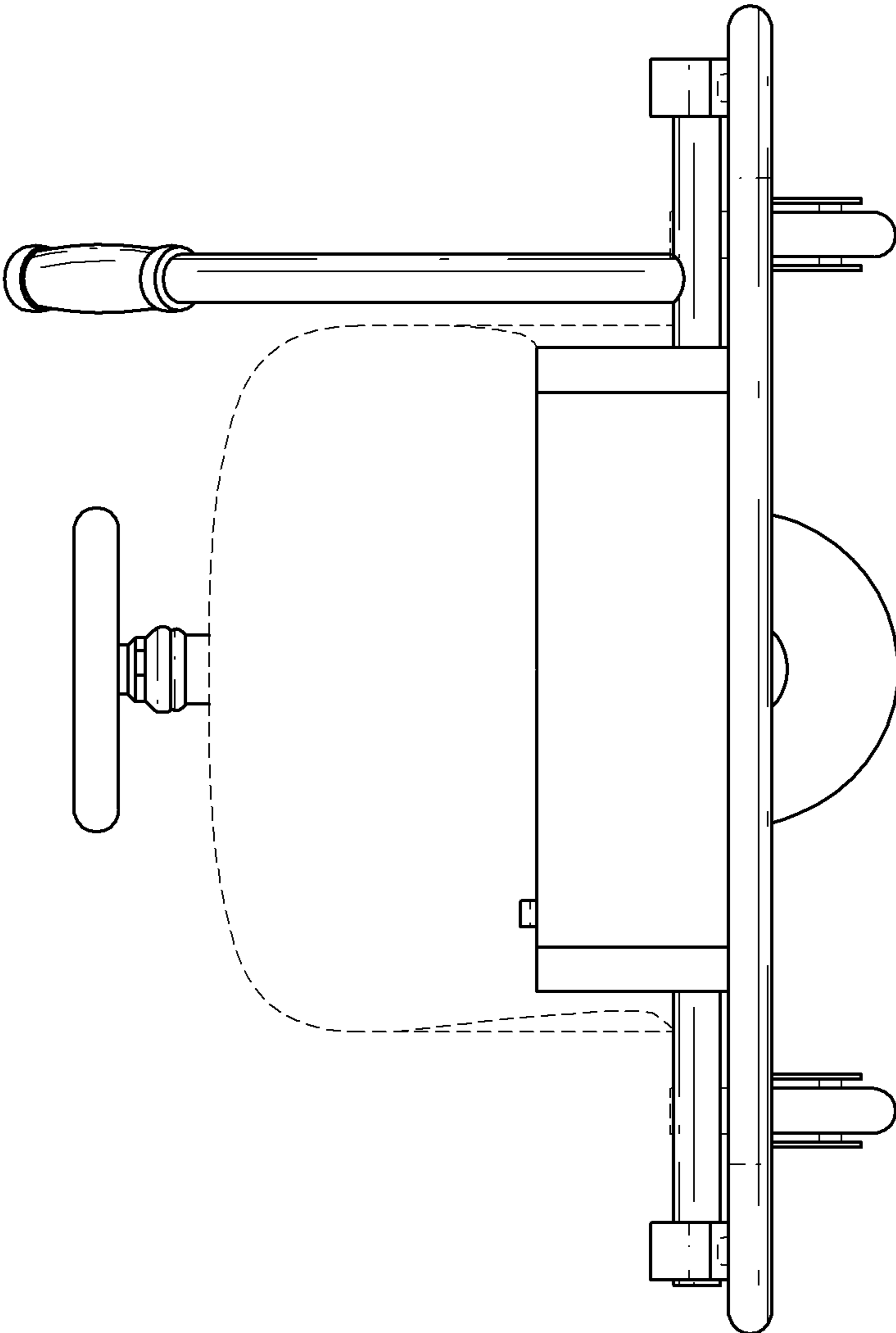


FIG. 4

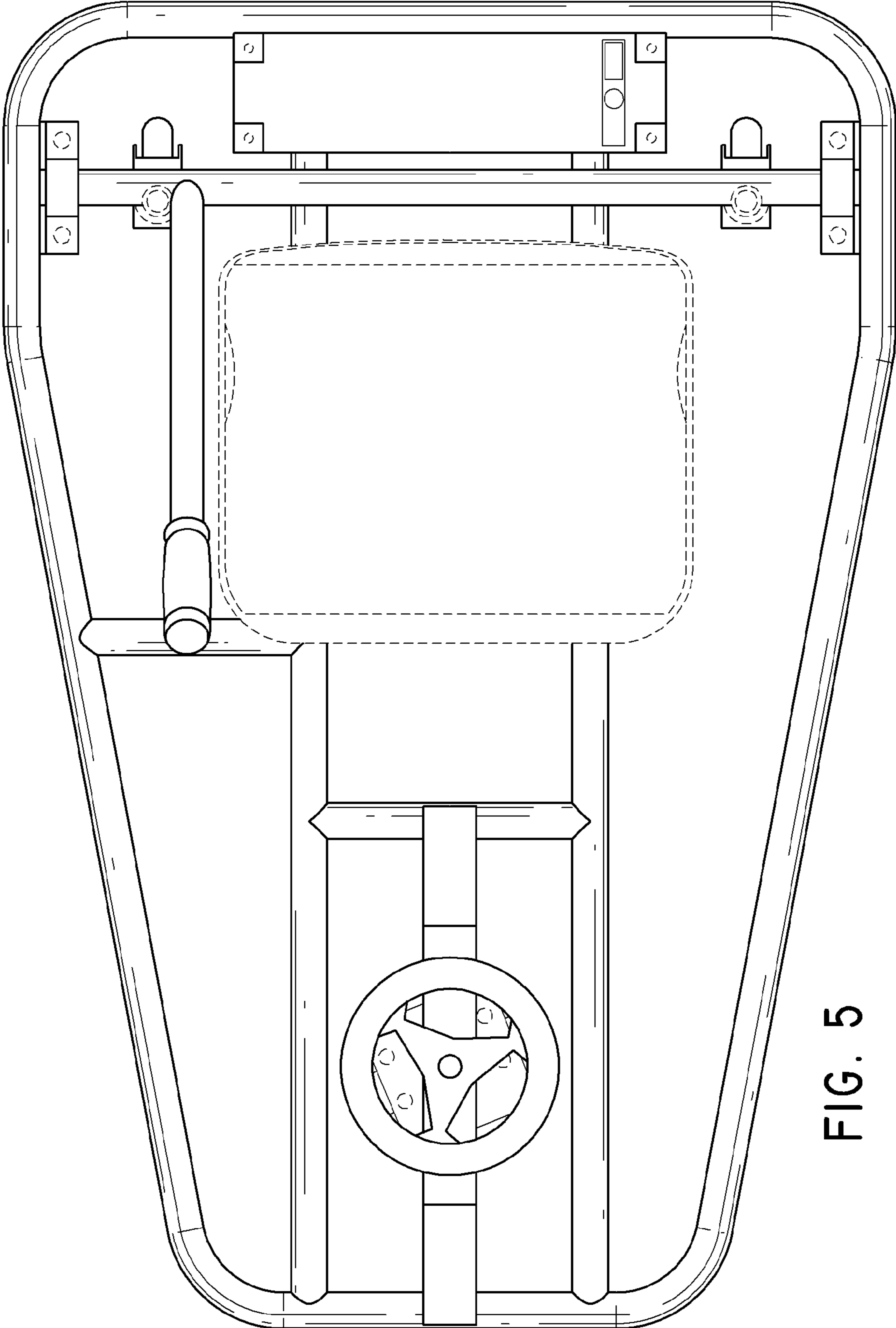


FIG. 5