



US00D761699S

(12) **United States Design Patent**  
**Watanabe et al.**

(10) **Patent No.:** **US D761,699 S**  
(45) **Date of Patent:** **\*\* Jul. 19, 2016**

(54) **MOTOR SCOOTER OR MOTOR SCOOTER REPLICA**

(71) Applicant: **HONDA MOTOR CO., LTD.**, Tokyo (JP)

(72) Inventors: **Tokumaru Watanabe**, Wako (JP); **Kenji Shimizu**, Wako (JP)

(73) Assignee: **HONDA MOTOR CO., LTD.**, Tokyo (JP)

(\*\*) Term: **15 Years**

(21) Appl. No.: **29/526,963**

(22) Filed: **May 14, 2015**

(30) **Foreign Application Priority Data**

Nov. 18, 2014 (JP) ..... 2014-025705

(51) **LOC (10) Cl.** ..... **12-11**

(52) **U.S. Cl.**  
USPC ..... **D12/110**

(58) **Field of Classification Search**  
USPC ..... D12/109, 110, 111, 114, 117, 126, 184, D12/186; D21/432, 458, 538; 180/210–217, 180/219, 220, 225, 229, 908; 280/103, 124, 280/152.1–152.3, 288.2, 288.4, 304.3, 770, 280/827, 828, 847, 848; 296/77.1, 78.1, 296/181.1, 187.01, 187.12, 192, 193.01, 296/193.04, 193.05, 193.09; 446/440  
CPC ..... B62D 37/00; B62D 57/00; B62K 9/00; B62K 11/04; B62K 17/00; B62K 19/48; B62M 7/12; F02B 61/02; A63H 17/21; B62J 17/00; B62J 17/04; B62J 29/00

See application file for complete search history.

(56) **References Cited**

U.S. PATENT DOCUMENTS

4,487,283 A \* 12/1984 Suzuki ..... B62J 17/00 180/219  
4,715,465 A \* 12/1987 Takahashi ..... B62J 17/00 180/219

(Continued)

OTHER PUBLICATIONS

“Scooter 2016” Honda Geneve Catalog., Feb. 10, 2016 [online], [retrieved on Mar. 28, 2016]. Retrieved from the Internet <URL: [http://www.honda-geneve.com/catalog/2016/Roller\\_french\\_2016\\_8\\_VALIDÉ.pdf](http://www.honda-geneve.com/catalog/2016/Roller_french_2016_8_VALIDÉ.pdf)>.\*

(Continued)

*Primary Examiner* — Philip S Hyder

*Assistant Examiner* — Darlington Ly

(74) *Attorney, Agent, or Firm* — Westerman, Hattori, Daniels & Adrian, LLP

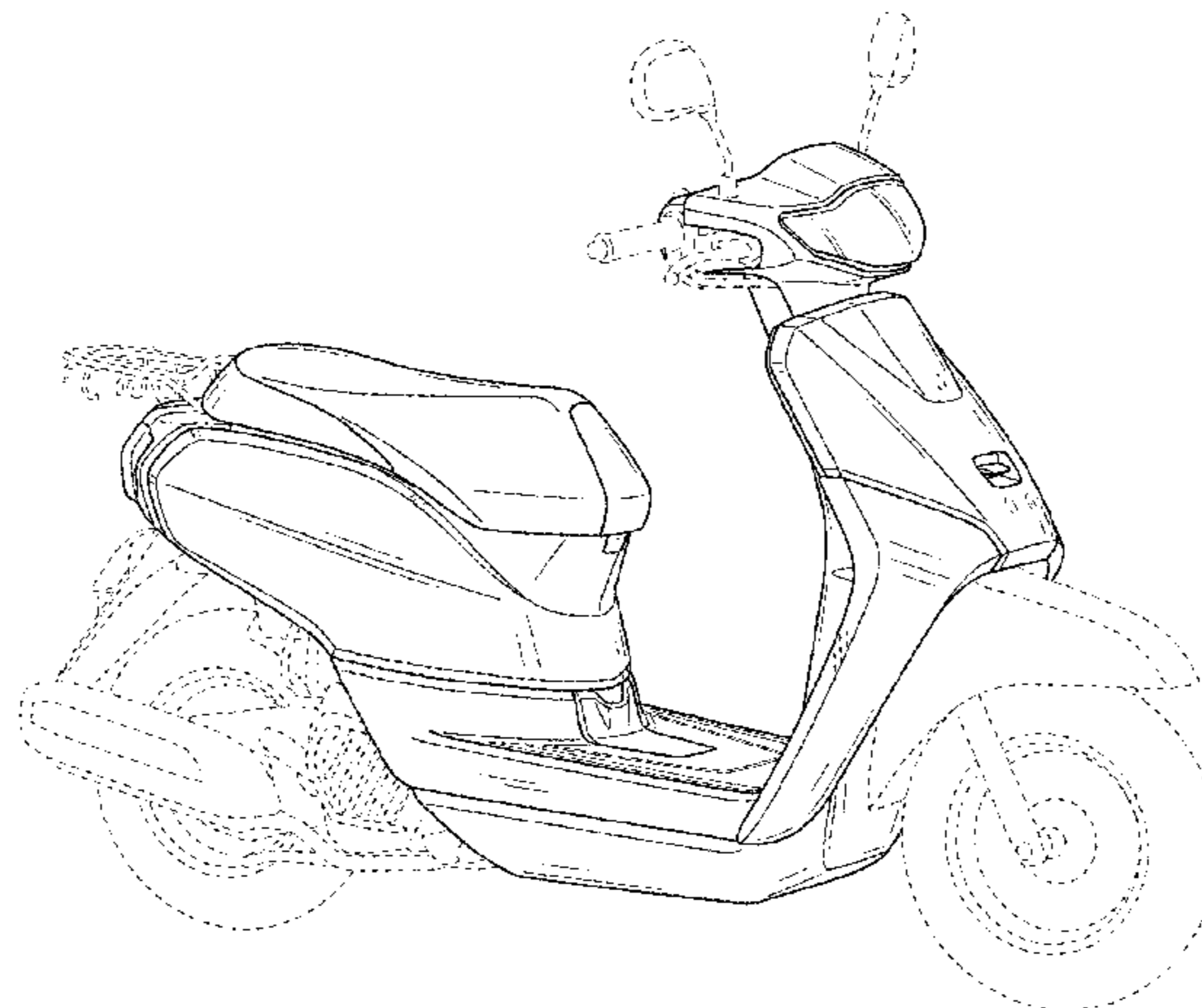
(57) **CLAIM**

The ornamental design for a motor scooter or motor scooter replica, as shown and described.

**DESCRIPTION**

FIG. 1 is a front and left side perspective view of a motor scooter or motor scooter replica showing our new design; FIG. 2 is a rear and left side perspective view thereof; FIG. 3 is a front and right side perspective view thereof; FIG. 4 is a rear and right side perspective view thereof; FIG. 5 is a left side elevation view thereof; FIG. 6 is a right side elevation view thereof; FIG. 7 is a front elevation view thereof; FIG. 8 is a rear elevation view thereof; FIG. 9 is a top plan view thereof; and, FIG. 10 is a bottom plan view thereof. The broken lines in the drawings illustrate portions of the motor scooter or motor scooter replica that forms no part of the claimed design.

**1 Claim, 10 Drawing Sheets**



(56)

**References Cited**

U.S. PATENT DOCUMENTS

D475,950 S \* 6/2003 Kawano ..... D12/110  
 D490,750 S \* 6/2004 Hoshino ..... D12/110  
 D503,908 S \* 4/2005 Tomomatsu ..... D12/110  
 D610,490 S \* 2/2010 Wong ..... D12/110  
 D622,636 S \* 8/2010 Cheng ..... D12/110  
 D622,637 S \* 8/2010 Schneider ..... D12/110  
 D632,227 S \* 2/2011 Lambri ..... D12/110  
 D642,497 S \* 8/2011 Lin ..... D12/110  
 D643,782 S \* 8/2011 Maccioni ..... D12/110  
 D644,570 S \* 9/2011 Chuang ..... D12/110  
 D647,006 S \* 10/2011 Hung ..... D12/110  
 D654,402 S \* 2/2012 Lambri ..... D12/110  
 D664,898 S \* 8/2012 Van Hooydonk ..... D12/110  
 D669,395 S \* 10/2012 Lambri ..... D12/110

D669,396 S \* 10/2012 Sawatsutipan ..... D12/110  
 D673,882 S \* 1/2013 Tartarini ..... D12/110  
 D678,128 S \* 3/2013 Lambri ..... D12/110  
 D678,129 S \* 3/2013 Kubota ..... D12/110  
 D680,911 S \* 4/2013 Wu ..... D12/110  
 D697,835 S \* 1/2014 Kito ..... D12/110  
 D726,076 S \* 4/2015 Arai ..... D12/114  
 D727,799 S \* 4/2015 Castrucci ..... D12/110  
 9,216,787 B2 \* 12/2015 Duncan ..... B62K 19/46

OTHER PUBLICATIONS

“Scooters & Motos 125 cm3 2015” Honda Geneve Catalog., Apr. 16, 2015 [online], [retrieved on Mar. 28, 2016]. Retrieved from the Internet <URL: [http://www.honda-geneve.com/catalog/2015/france/Honda\\_scooter\\_125cm\\_2015\\_France.pdf](http://www.honda-geneve.com/catalog/2015/france/Honda_scooter_125cm_2015_France.pdf)>.\*

\* cited by examiner

FIG. 1

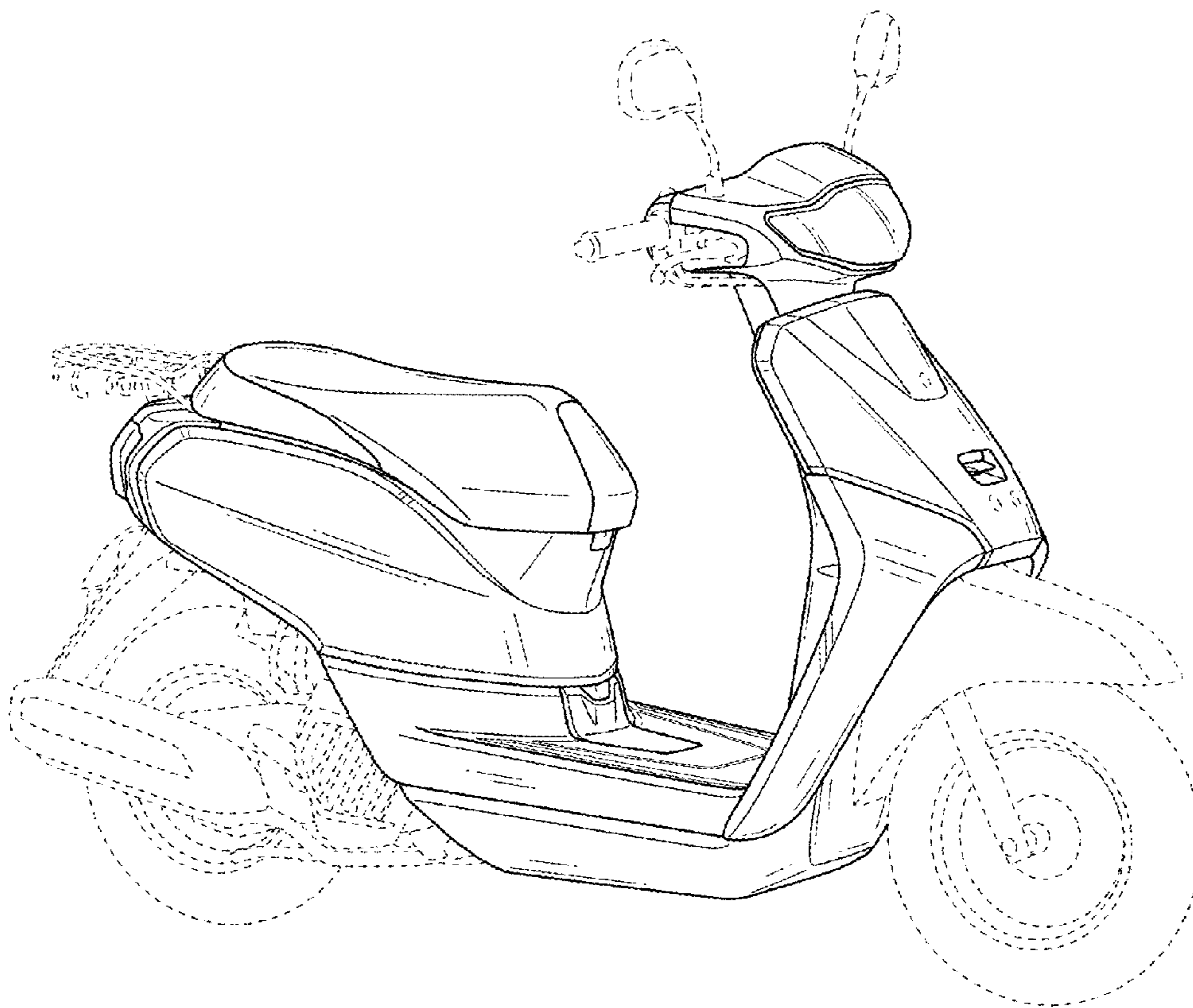


FIG. 2

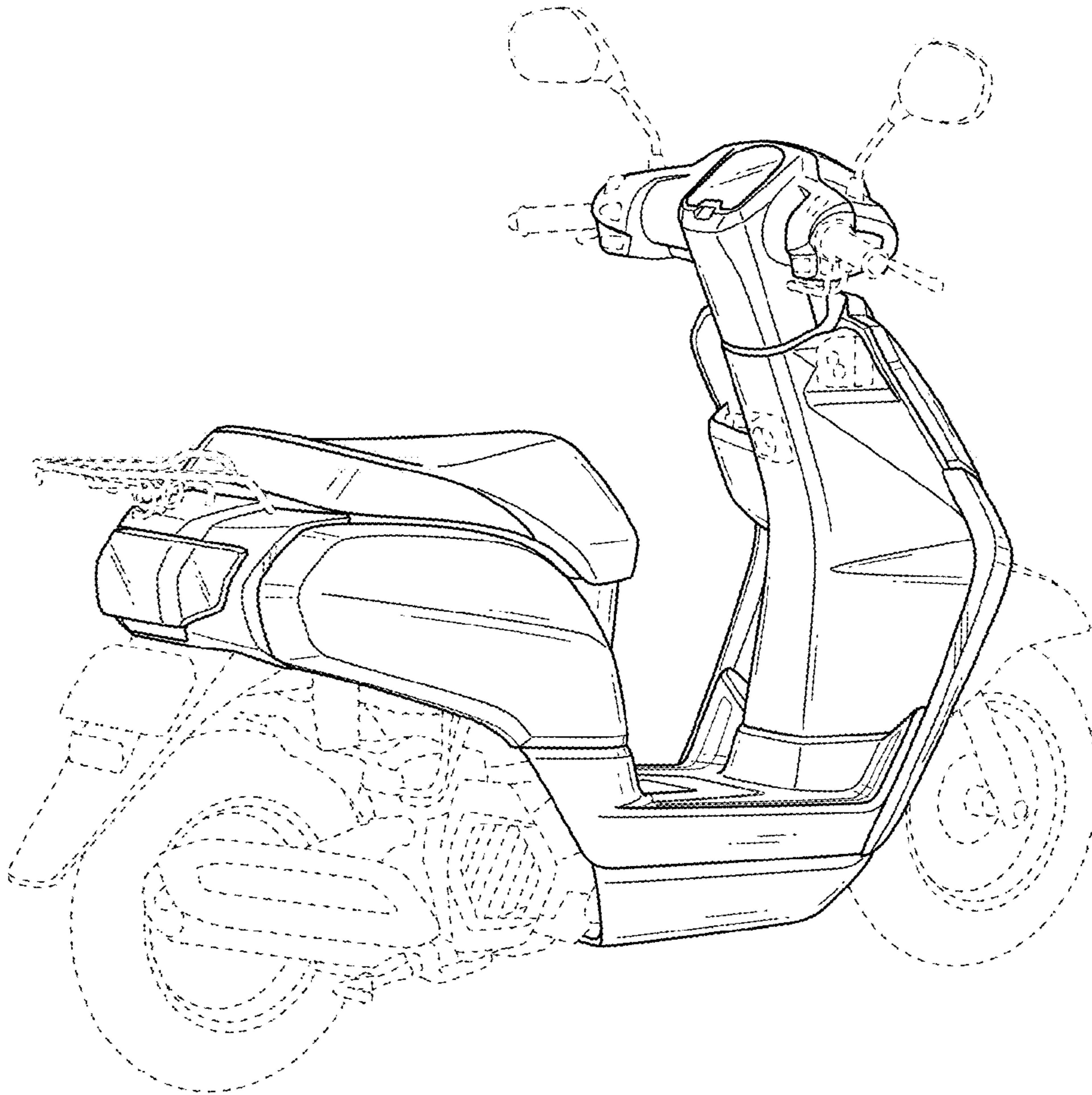


FIG. 3

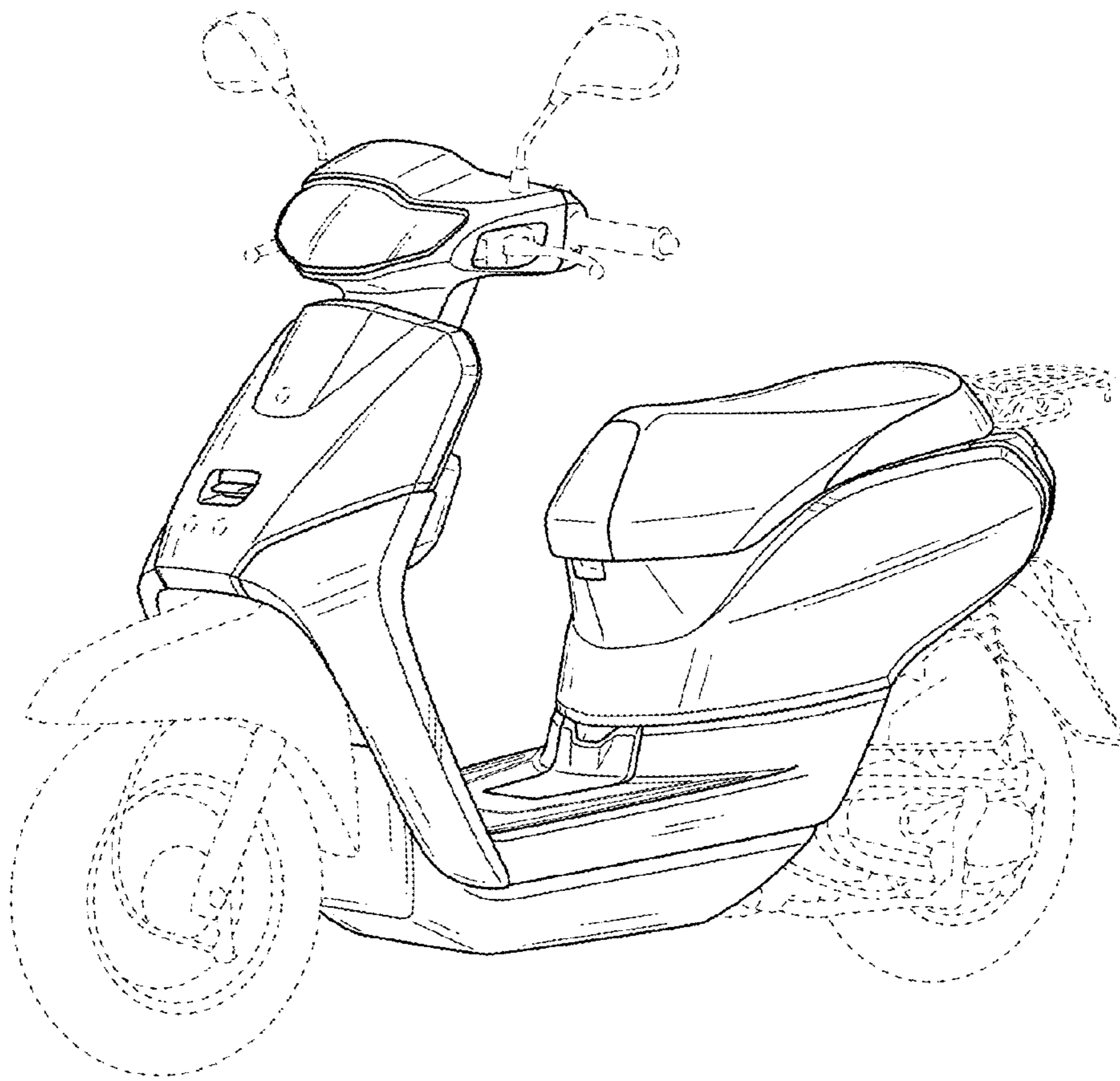


FIG. 4

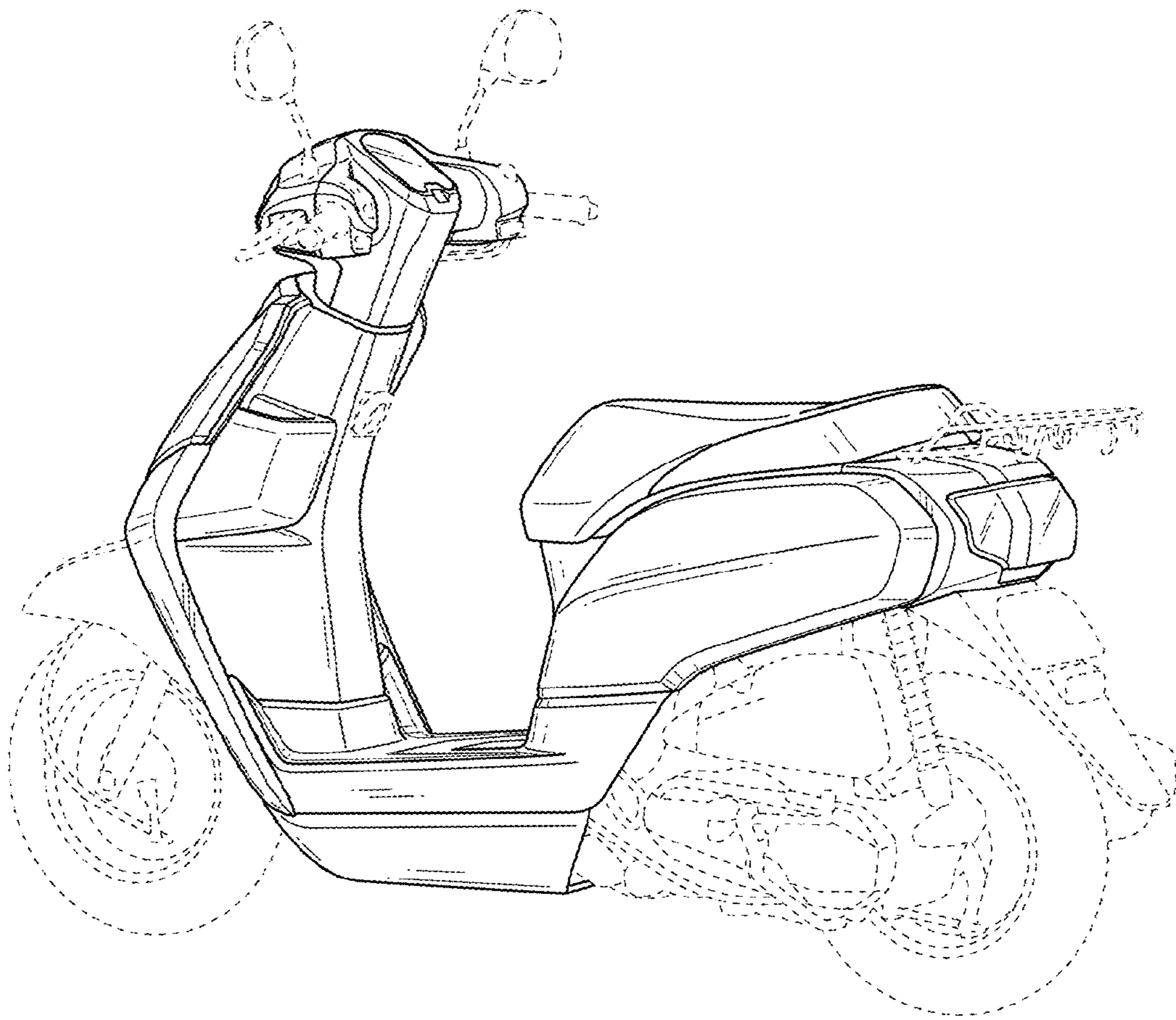


FIG. 5

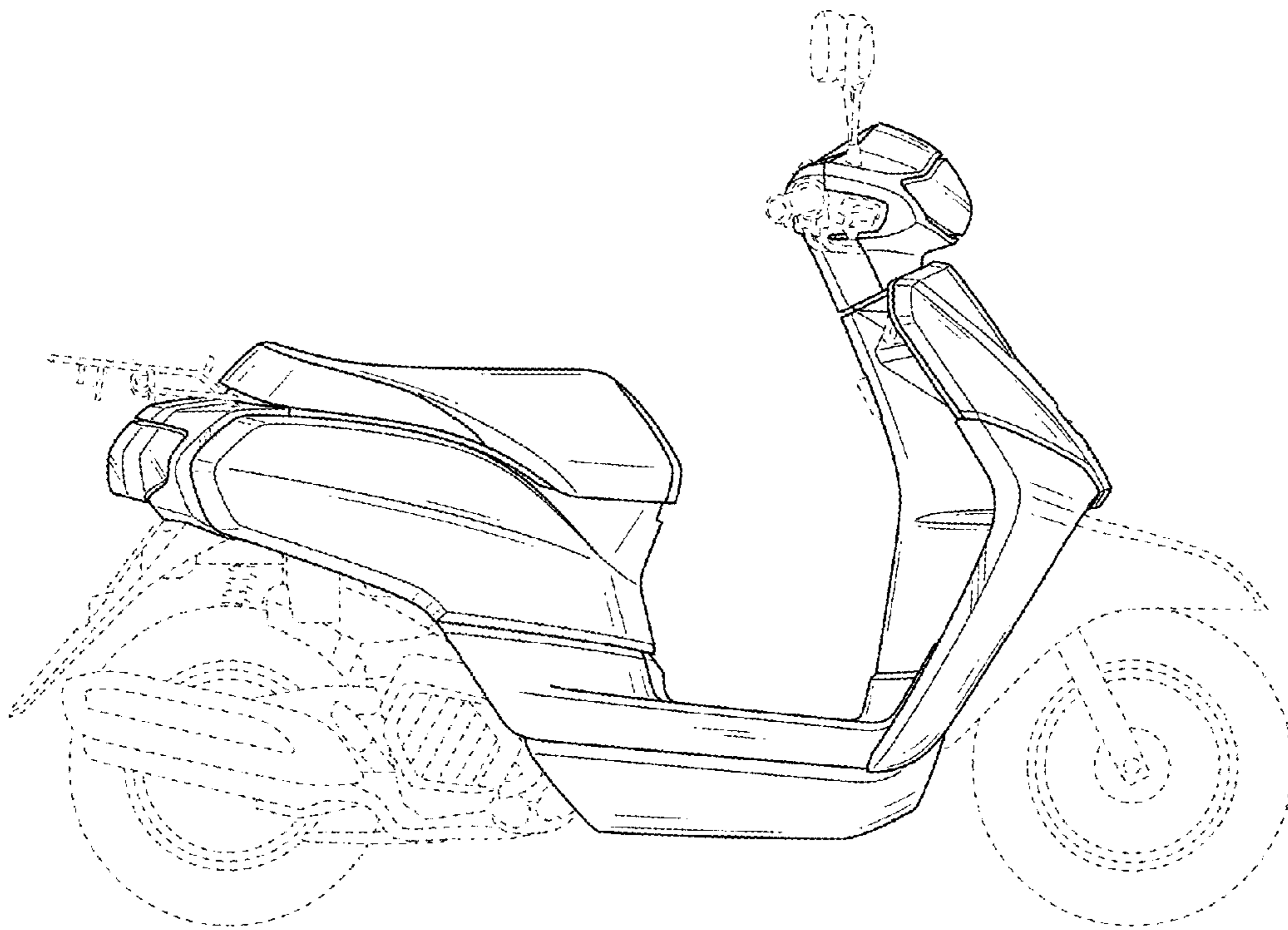


FIG. 6

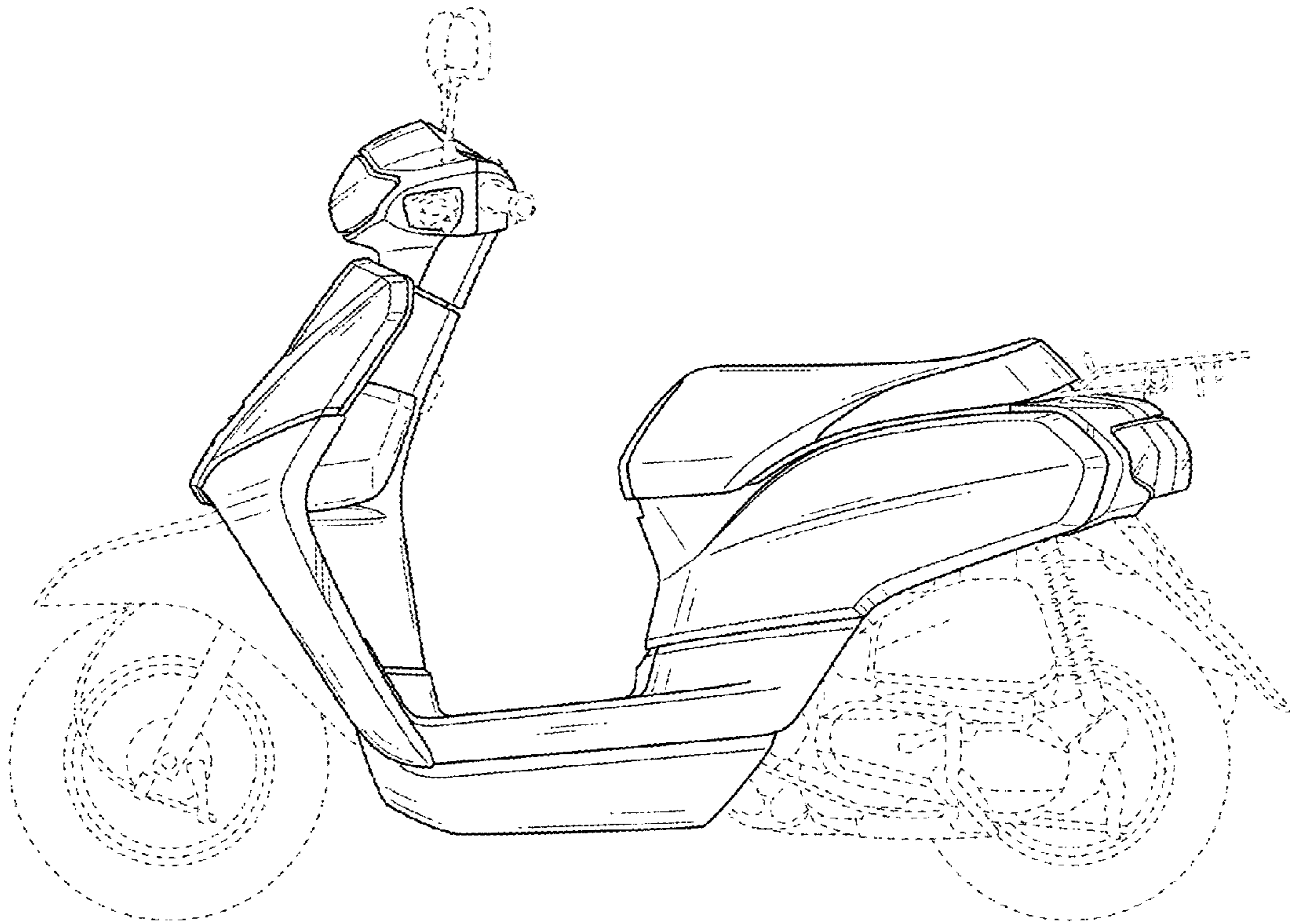




FIG. 7

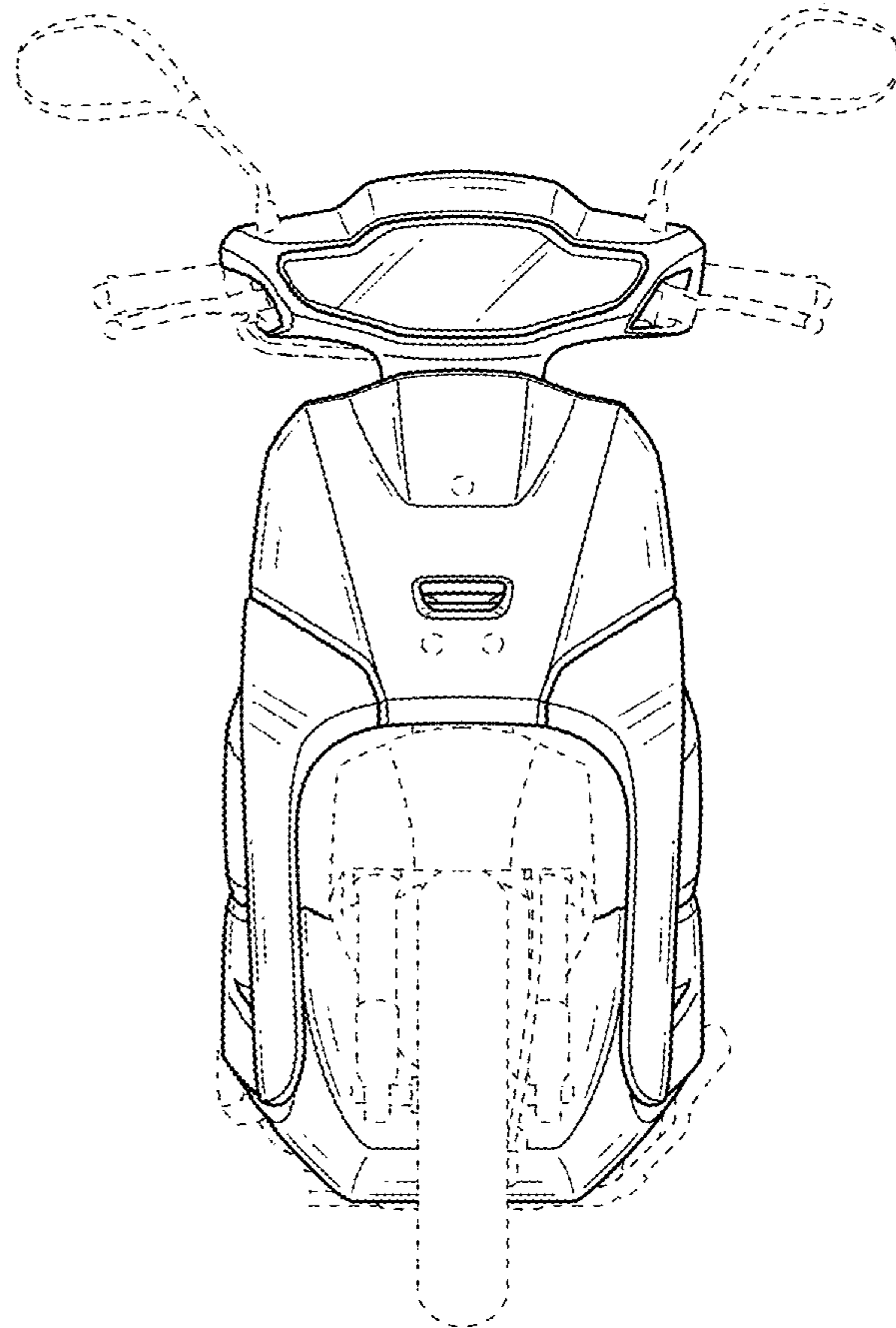


FIG. 8

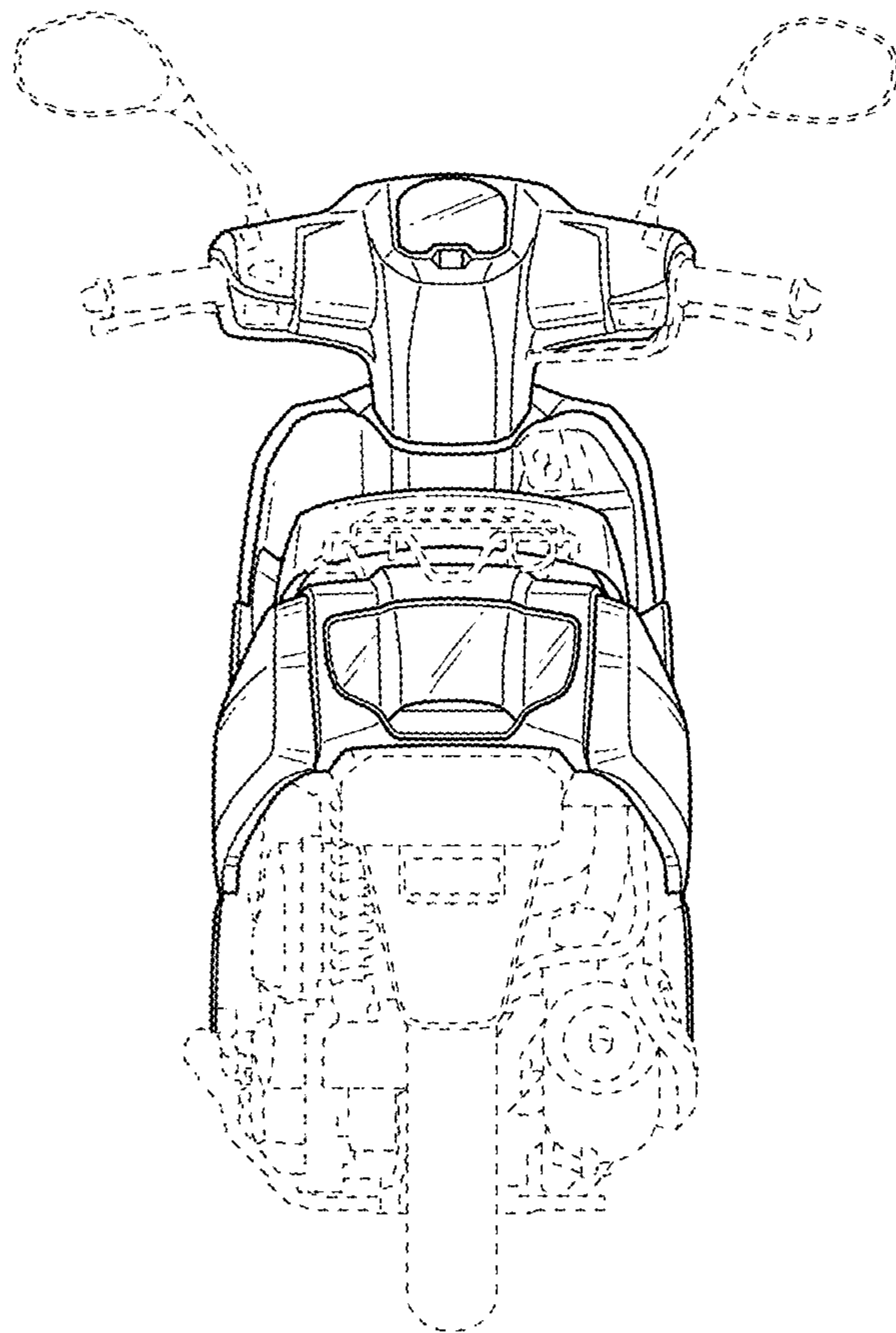


FIG. 9

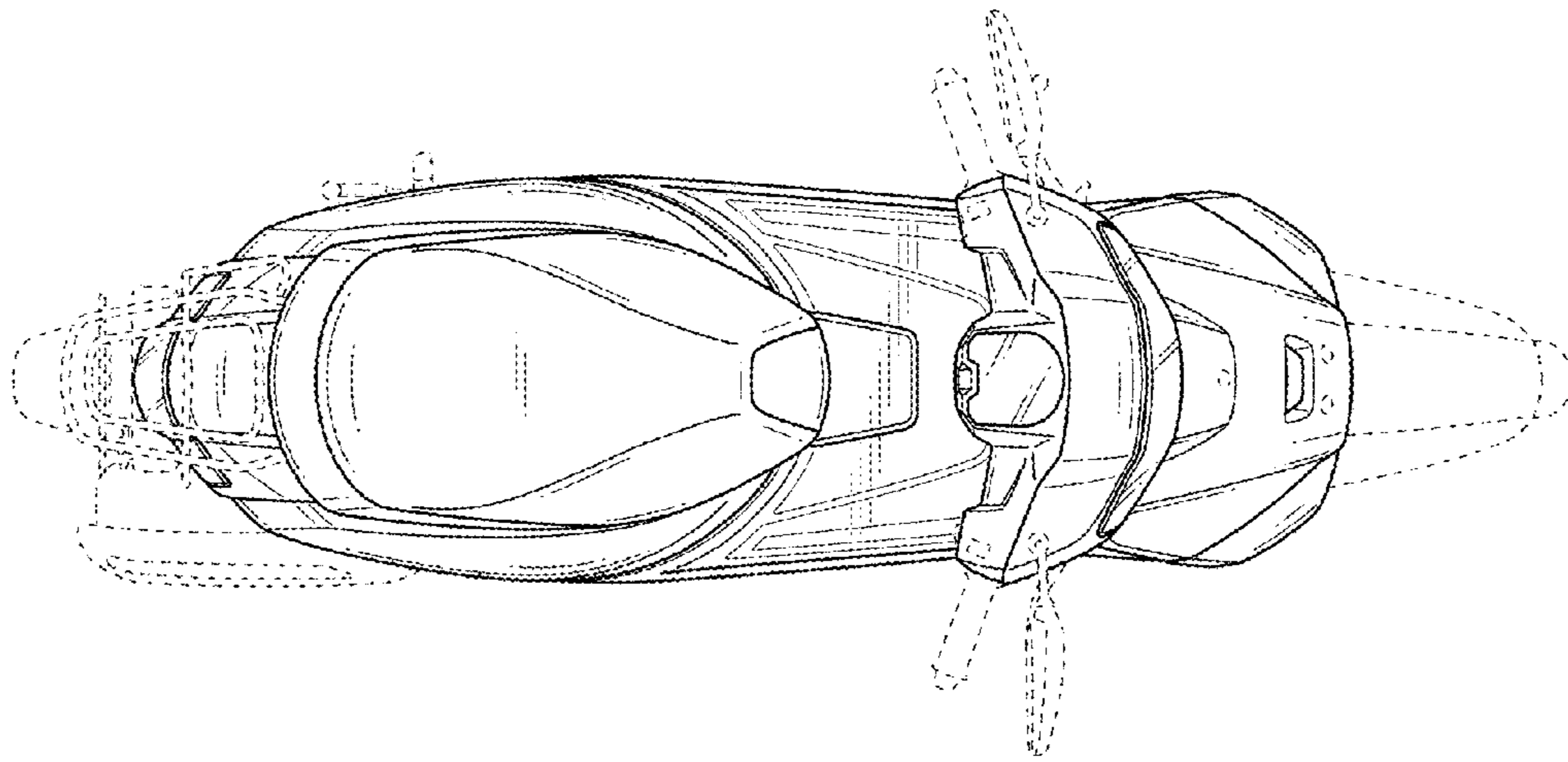


FIG. 10

