



US00D761698S

(12) **United States Design Patent**
Umemoto

(10) **Patent No.:** **US D761,698 S**
(45) **Date of Patent:** **** Jul. 19, 2016**

(54) **FOUR WHEELED VEHICLE**
(71) Applicant: **Yamaha Hatsudoki Kabushiki Kaisha,**
Shizuoka-ken (JP)
(72) Inventor: **Takeshi Umemoto,** Tokyo-to (JP)
(73) Assignee: **YAMAHA HATSUDOKI**
KABUSHIKI KAISHA (JP)
(**) Term: **14 Years**

D520,914 S * 5/2006 Luh D12/107
D522,924 S * 6/2006 Yokoyama D12/107
D539,705 S * 4/2007 Ichikawa D12/107
D546,246 S * 7/2007 Crepeau D12/107
D585,792 S * 2/2009 Chao D12/107
7,743,864 B2* 6/2010 Tweet B60N 2/24
180/312
D620,399 S * 7/2010 Wu D12/107
D628,520 S * 12/2010 Lin D12/107
D643,781 S * 8/2011 Nagao D12/107
D680,468 S * 4/2013 Li D12/107
2008/0277184 A1* 11/2008 Marleau B62K 5/01
180/312

(21) Appl. No.: **29/517,105**
(22) Filed: **Feb. 10, 2015**
(51) **LOC (10) Cl.** **12-11**
(52) **U.S. Cl.**
USPC **D12/107; D12/87**
(58) **Field of Classification Search**
USPC D12/3, 4, 5, 14, 85, 86, 87, 107, 110;
280/183-185, DIG. 5, 1, 16, 82, 88, 90,
280/14; 180/233, 908
CPC A01B 59/02; A61G 3/08; B62B 5/04;
B62B 13/10; B62B 19/04; B62B 2202/404;
B62C 9/00; B62D 7/22; B62K 5/01; B60K
23/0808
See application file for complete search history.

* cited by examiner

Primary Examiner — Philip S Hyder
Assistant Examiner — Darlington Ly
(74) *Attorney, Agent, or Firm* — Ostrolenk Faber LLP

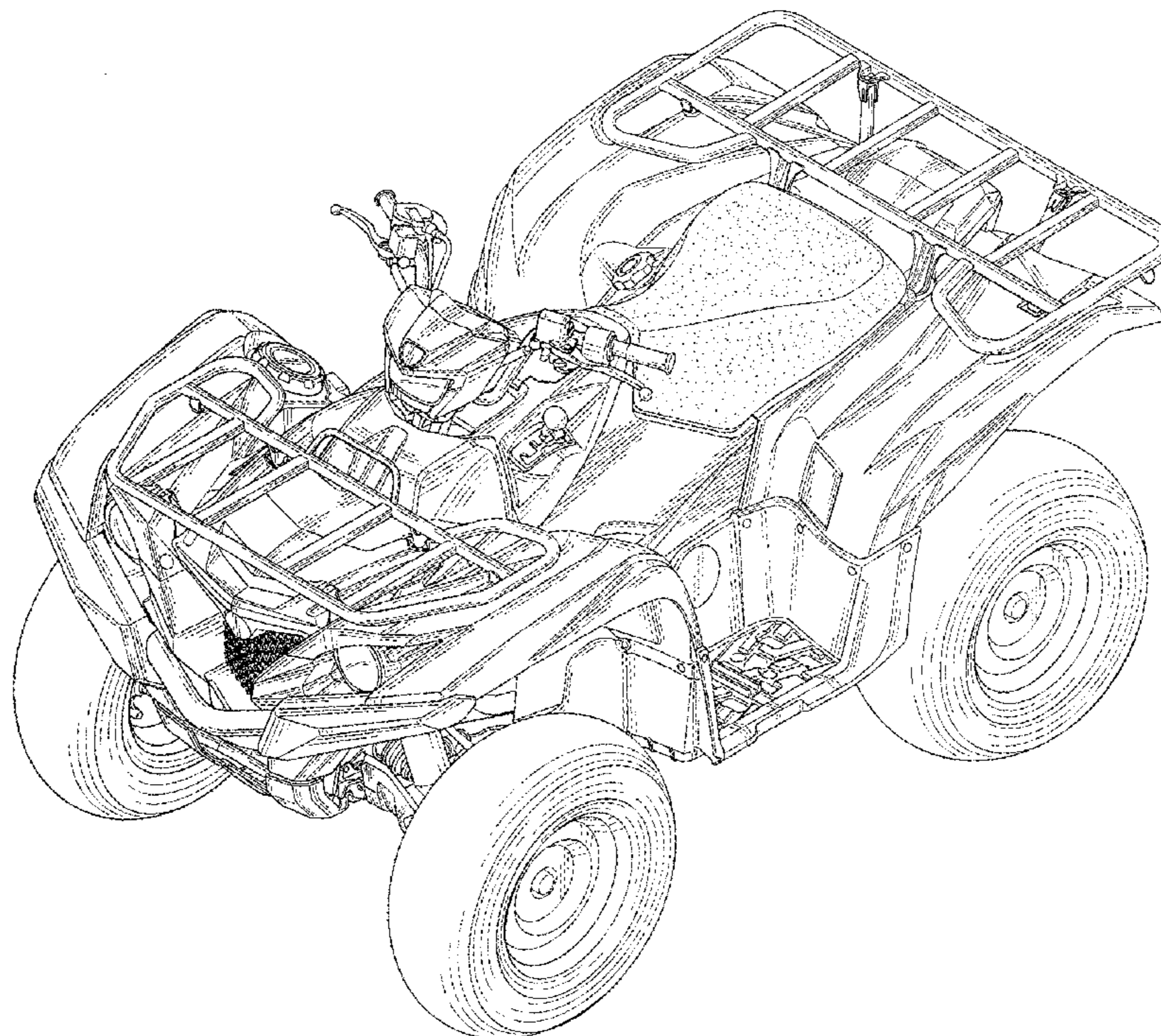
(57) **CLAIM**
The ornamental design for a four wheeled vehicle, as shown and described.

DESCRIPTION

FIG. 1 is a front, top and right side perspective view of a four wheel vehicle showing my new design;
FIG. 2 is a rear, top and left side perspective view thereof;
FIG. 3 is a front elevation view thereof;
FIG. 4 is a rear elevation view thereof;
FIG. 5 is a left side elevation view thereof;
FIG. 6 is a right side elevation view thereof; and,
FIG. 7 is a top plan view thereof.

(56) **References Cited**
U.S. PATENT DOCUMENTS
D374,416 S * 10/1996 Miyamoto D12/107
D513,718 S * 1/2006 Itaya D12/107

1 Claim, 7 Drawing Sheets



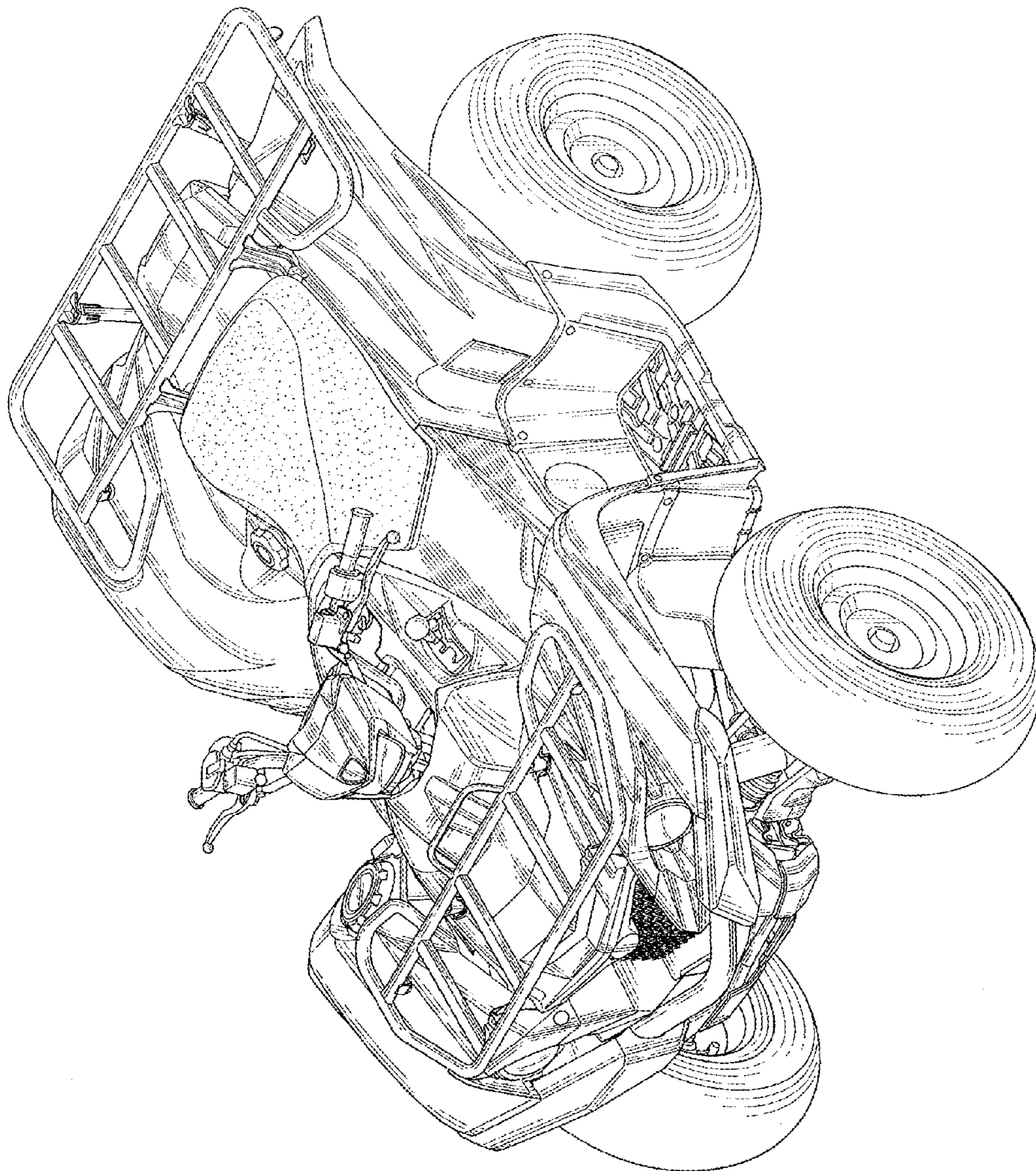


Fig. 1

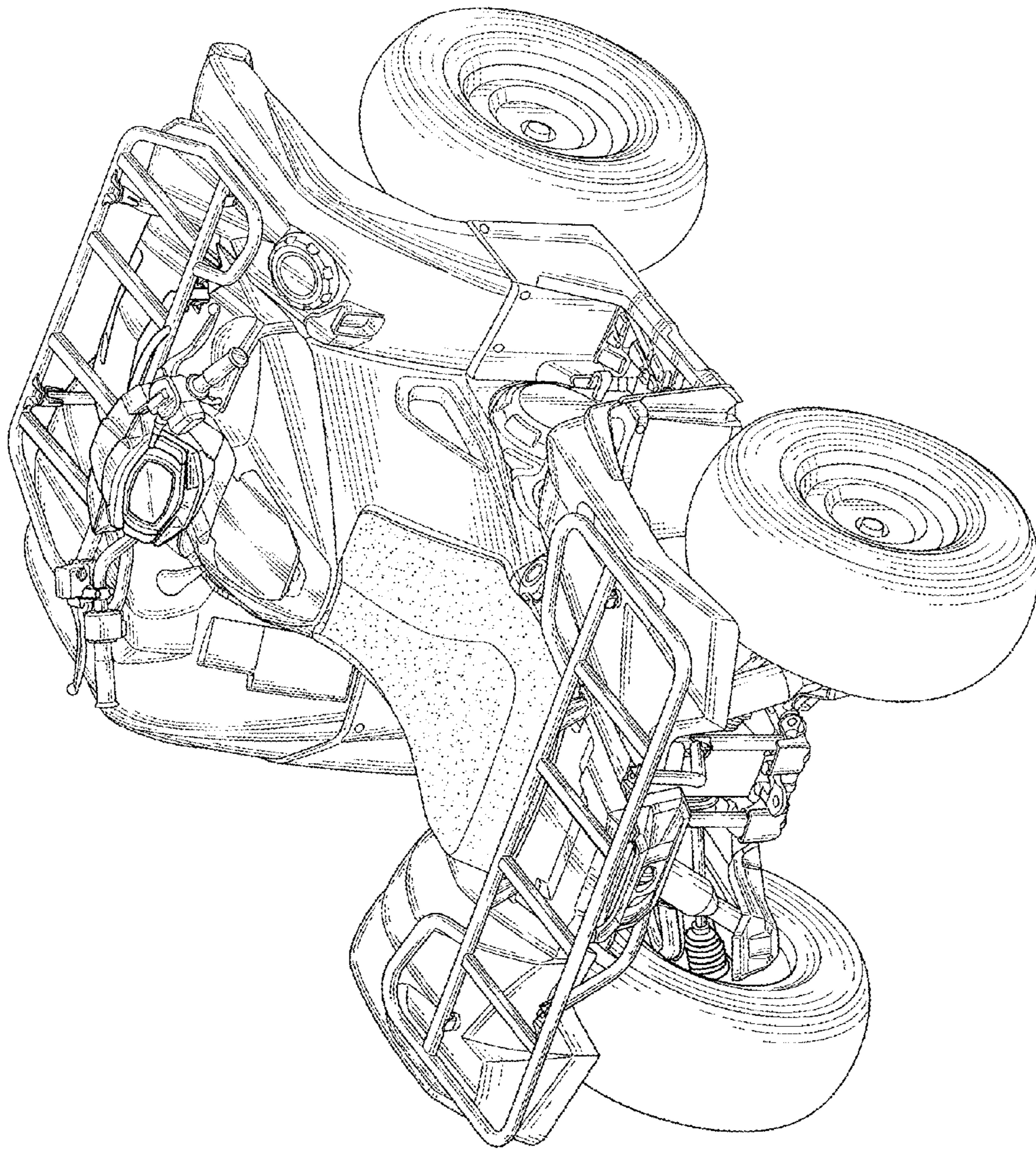


Fig. 2

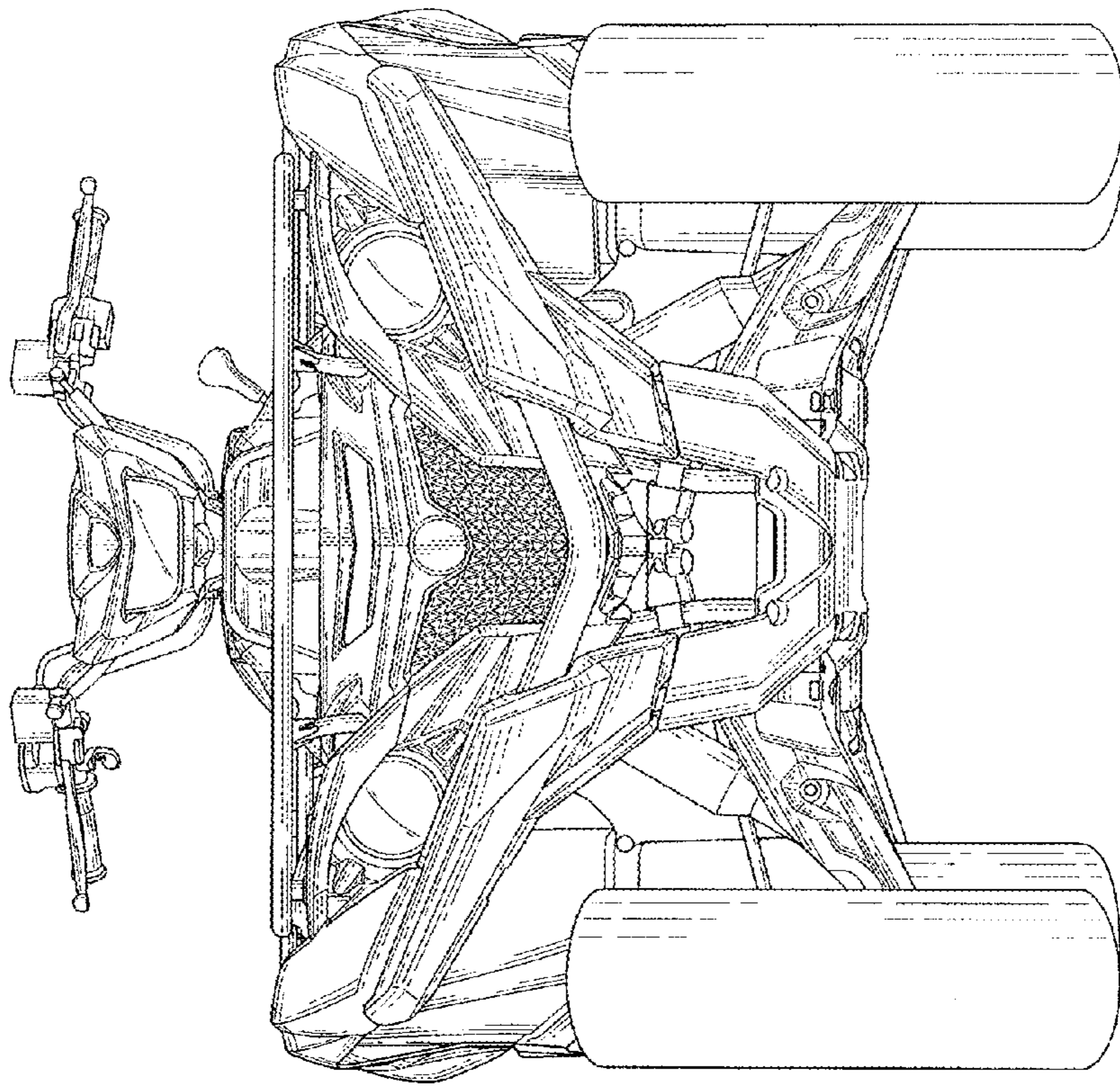


Fig. 3

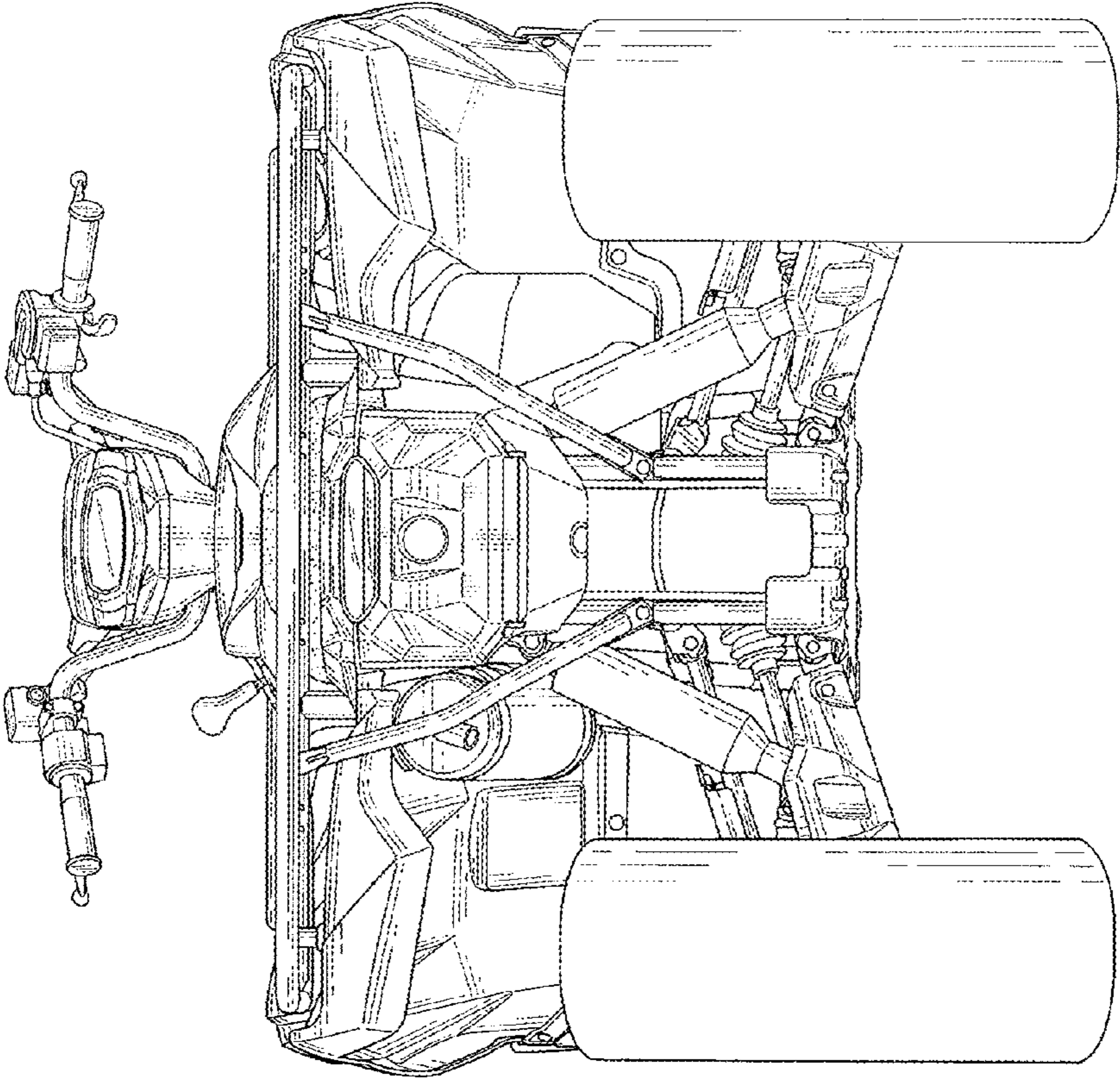


Fig. 4

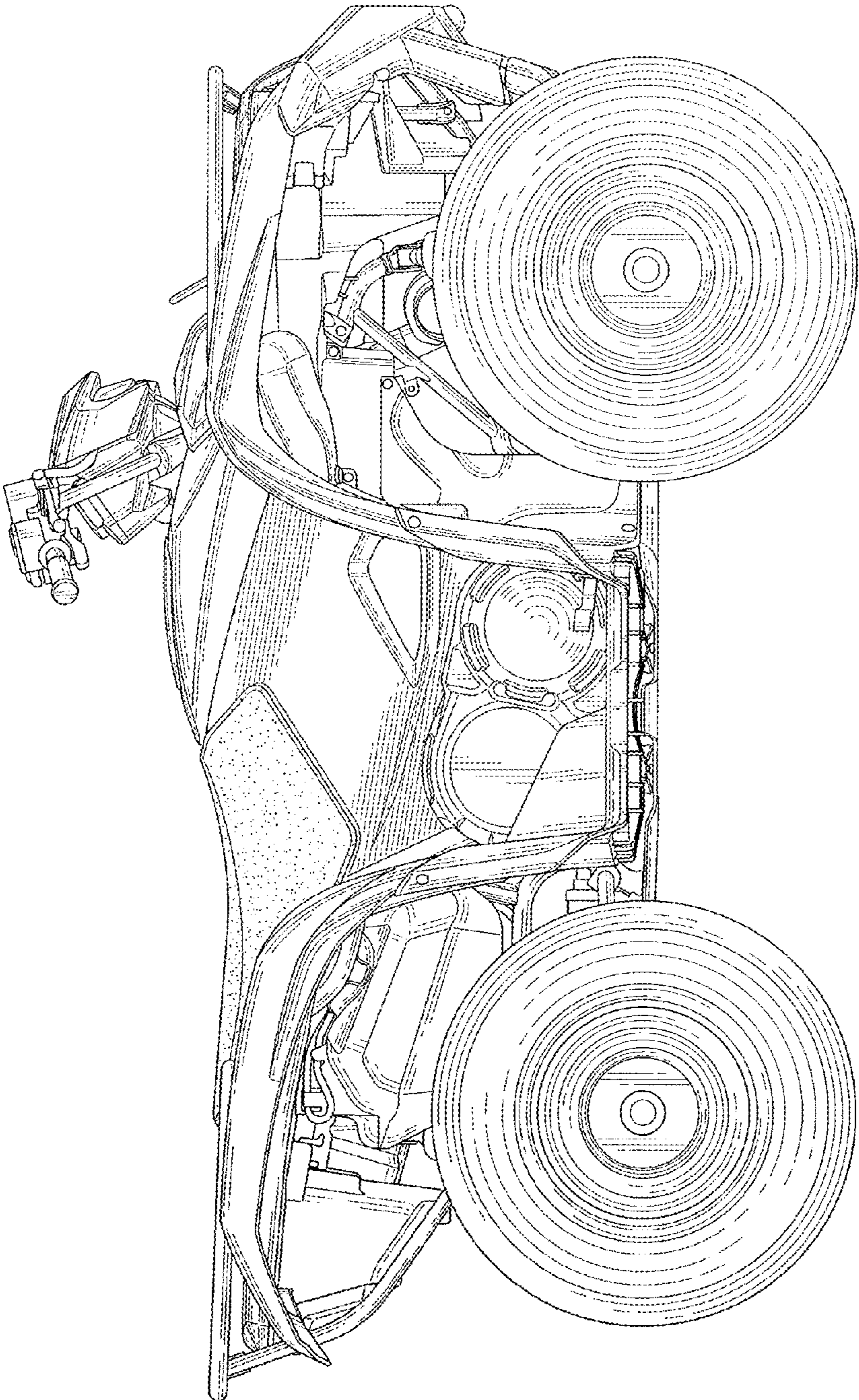


Fig. 5

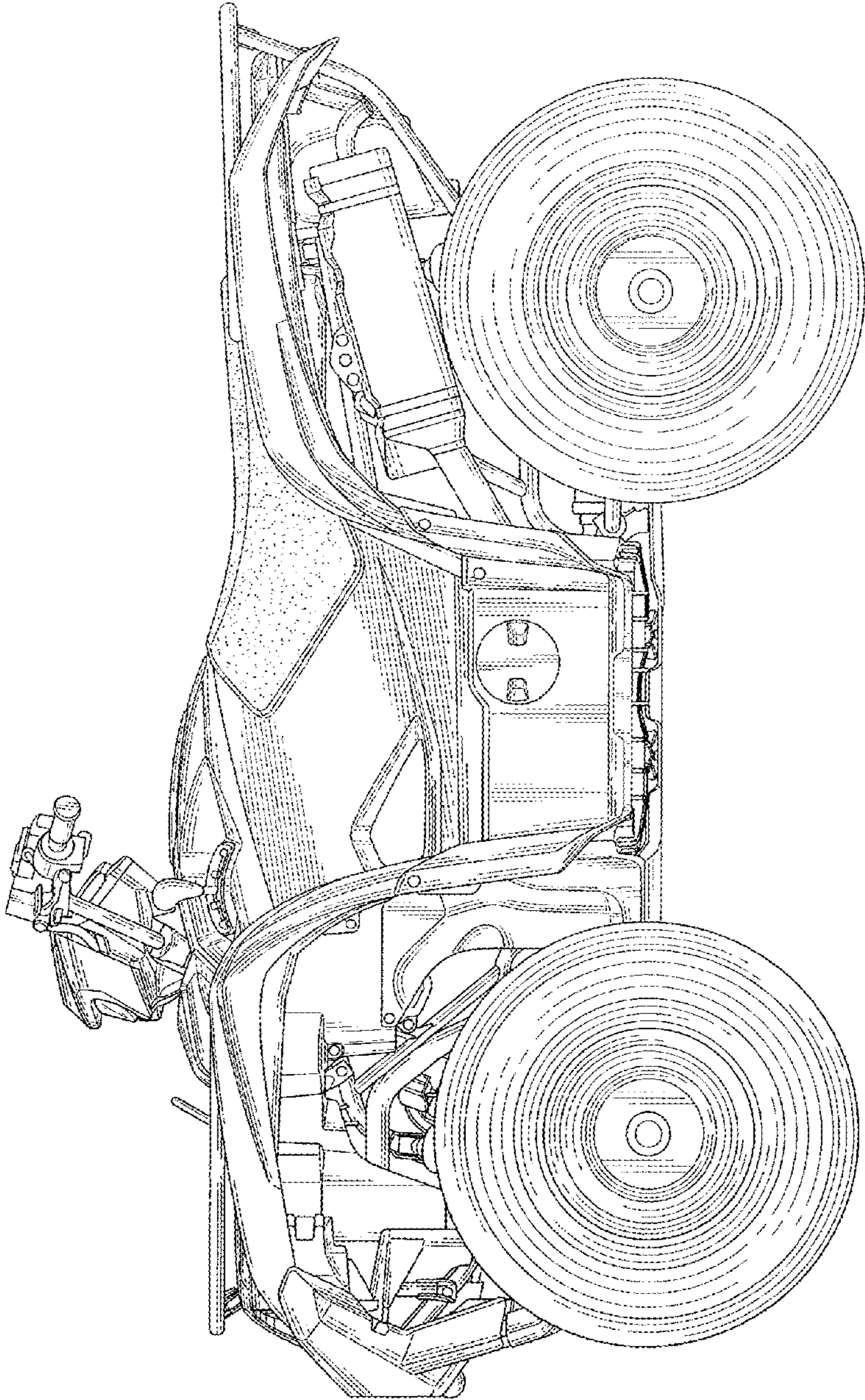


Fig. 6

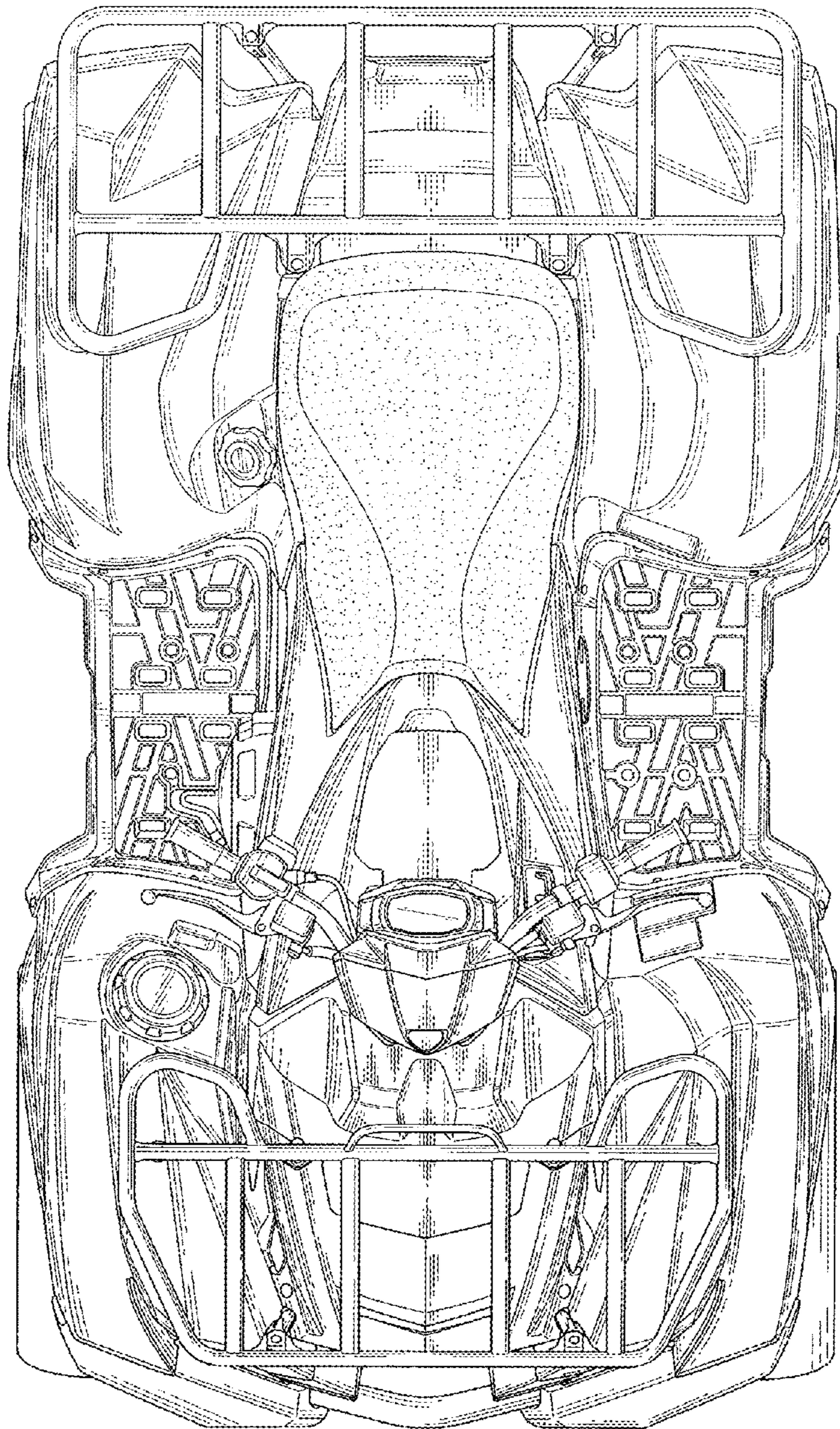


Fig. 7