



US00D761697S

(12) **United States Design Patent**  
**Bischoff et al.**

(10) **Patent No.:** **US D761,697 S**  
(45) **Date of Patent:** **\*\* Jul. 19, 2016**

(54) **VEHICLE**  
(71) Applicant: **VOLKSWAGEN**  
**AKTIENGESELLSCHAFT**, Wolfsburg  
(DE)  
(72) Inventors: **Klaus Bischoff**, Wolfsburg (DE); **Oliver**  
**Stefani**, Wolfsburg (DE); **Marco**  
**Antonio Pavone**, Wolfsburg (DE);  
**Cihan Akcay**, Wolfsburg (DE)  
(73) Assignee: **VOLKSWAGEN**  
**AKTIENGESELLSCHAFT**, Wolfsburg  
(DE)

D637,943 S \* 5/2011 Bischoff ..... D12/92  
D671,034 S \* 11/2012 Bischoff ..... D12/91  
D671,035 S \* 11/2012 Bischoff ..... D12/91  
D683,656 S \* 6/2013 Bischoff ..... D12/91  
D690,231 S \* 9/2013 Bischoff ..... D12/91  
D691,067 S \* 10/2013 Bischoff ..... D12/91  
D691,068 S \* 10/2013 Bischoff ..... D12/92  
D699,157 S \* 2/2014 Bischoff ..... D12/92  
D701,145 S \* 3/2014 Bischoff ..... D12/91  
D712,788 S \* 9/2014 Bischoff ..... D12/91  
D714,689 S \* 10/2014 Bischoff ..... D12/92  
D740,178 S \* 10/2015 Bischoff ..... D12/92  
D748,534 S \* 2/2016 Bischoff ..... D12/92

\* cited by examiner

*Primary Examiner* — Melody N Brown

(74) *Attorney, Agent, or Firm* — Lucas & Mercanti, LLP;  
Klaus P. Stoffel

(\*\*) Term: **15 Years**  
(21) Appl. No.: **29/529,518**  
(22) Filed: **Jun. 8, 2015**

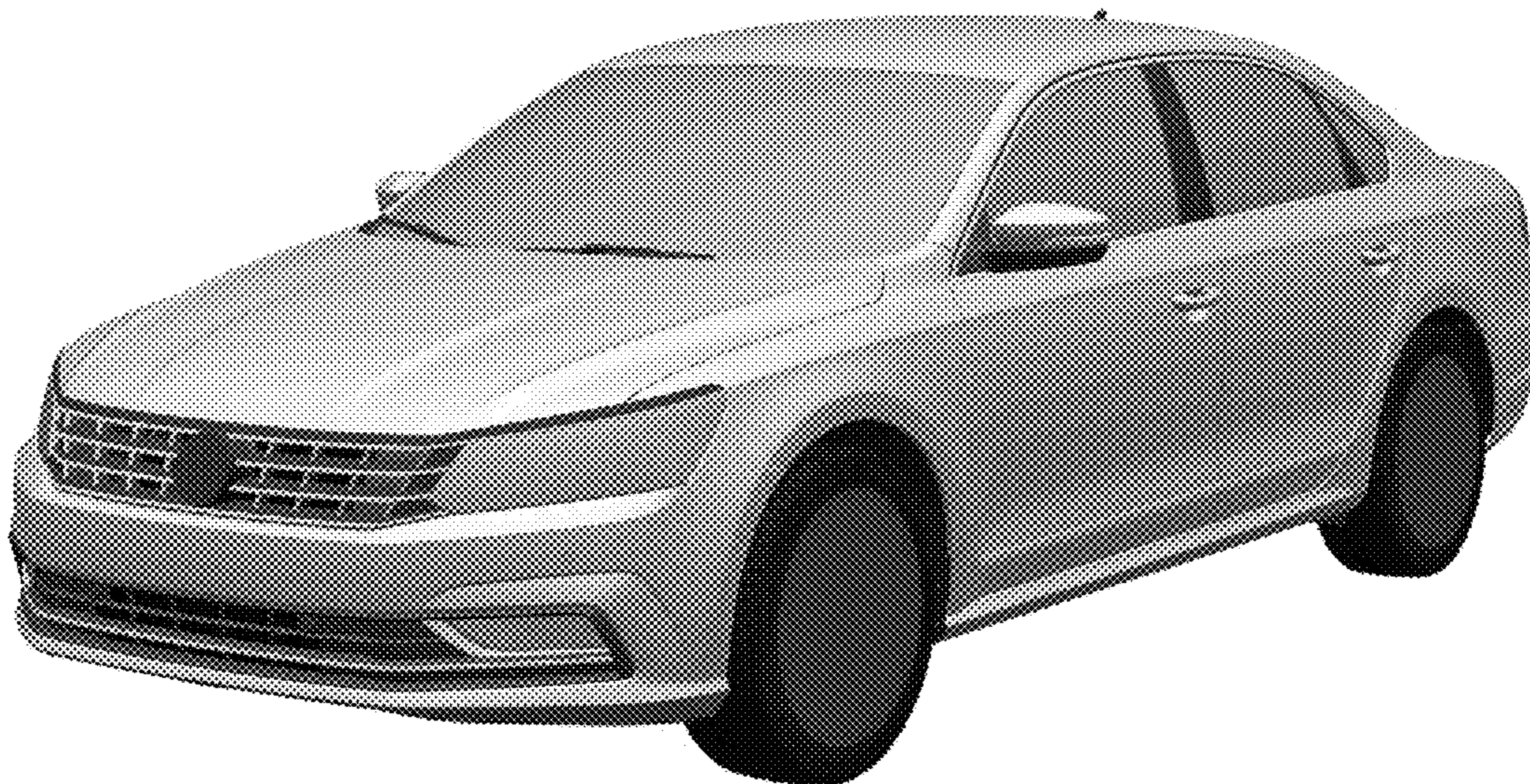
(30) **Foreign Application Priority Data**  
Dec. 11, 2014 (DE) ..... 40 2014 101 195  
(51) **LOC (10) Cl.** ..... **12-08**  
(52) **U.S. Cl.**  
USPC ..... **D12/92**  
(58) **Field of Classification Search**  
USPC ..... D12/86, 90–92, 88; D21/421, 433, 434;  
296/181.1, 181.5  
CPC ..... B62D 35/00; B62D 25/00; B62D 25/06;  
B62D 33/00  
See application file for complete search history.

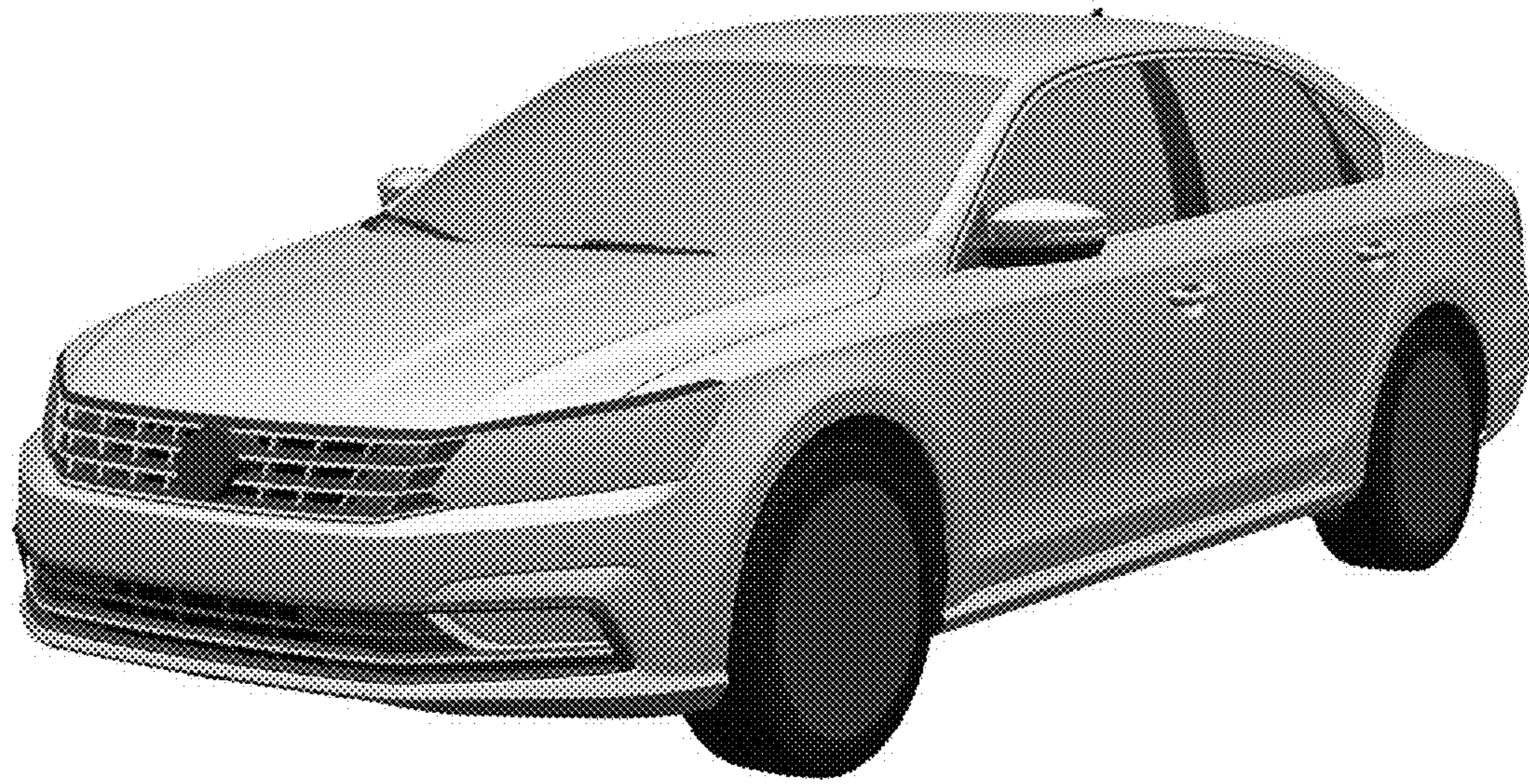
(57) **CLAIM**  
The ornamental design for a vehicle, as shown and described.

(56) **References Cited**  
U.S. PATENT DOCUMENTS  
D620,840 S \* 8/2010 Bischoff ..... D12/91  
D626,885 S \* 11/2010 Bischoff ..... D12/91

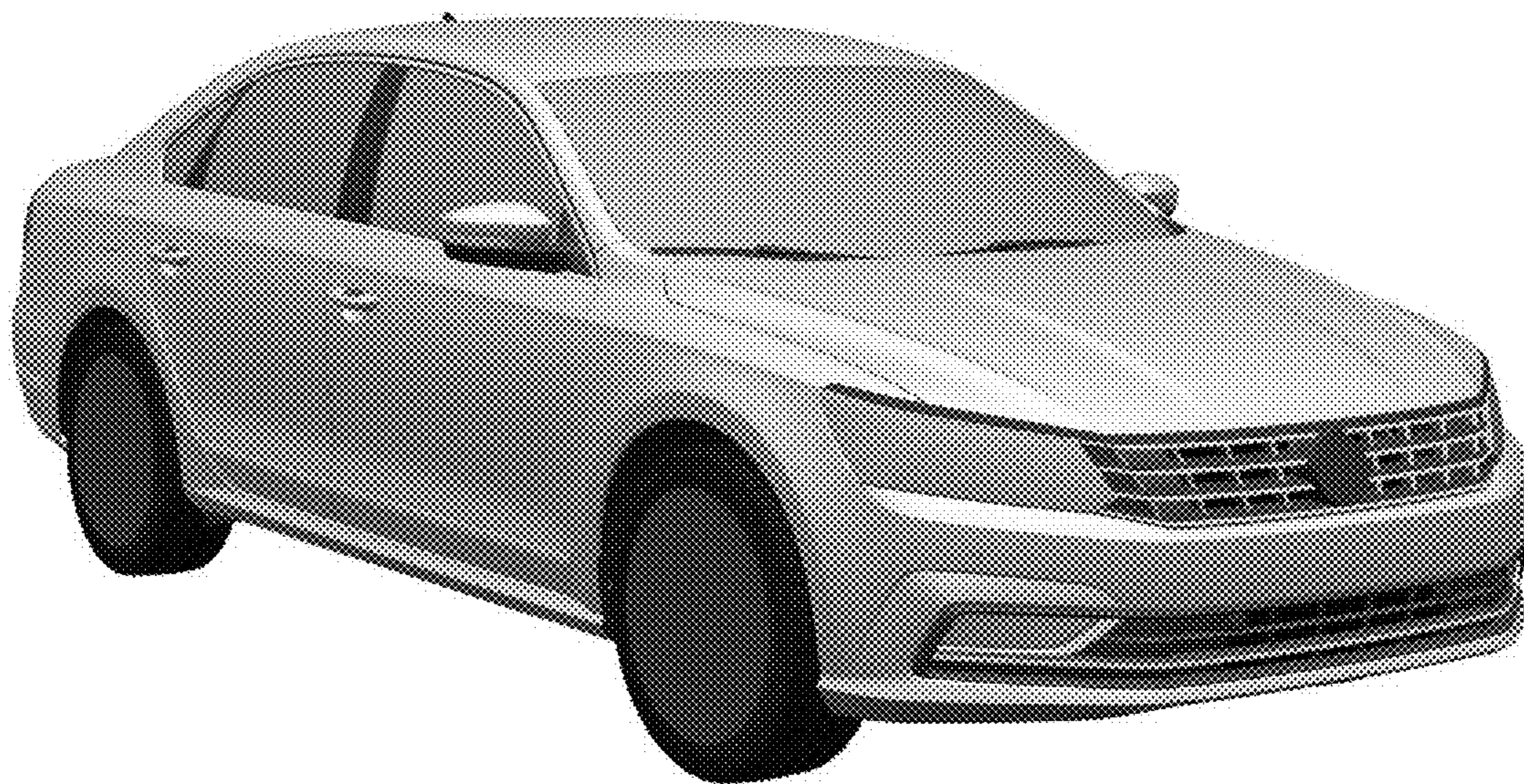
**DESCRIPTION**  
FIG. 1 is a front, right side perspective view of the vehicle of the present invention;  
FIG. 2 is a front, left side perspective view thereof;  
FIG. 3 is a front view thereof;  
FIG. 4 is a rear view thereof;  
FIG. 5 is a rear, left side perspective view thereof;  
FIG. 6 is a rear, right side perspective view thereof;  
FIG. 7 is a top view thereof;  
FIG. 8 is a left side view thereof; and,  
FIG. 9 is a right side view thereof.  
The wheels do not form part of the claimed design.

**1 Claim, 6 Drawing Sheets**





**Fig. 1**



**Fig. 2**



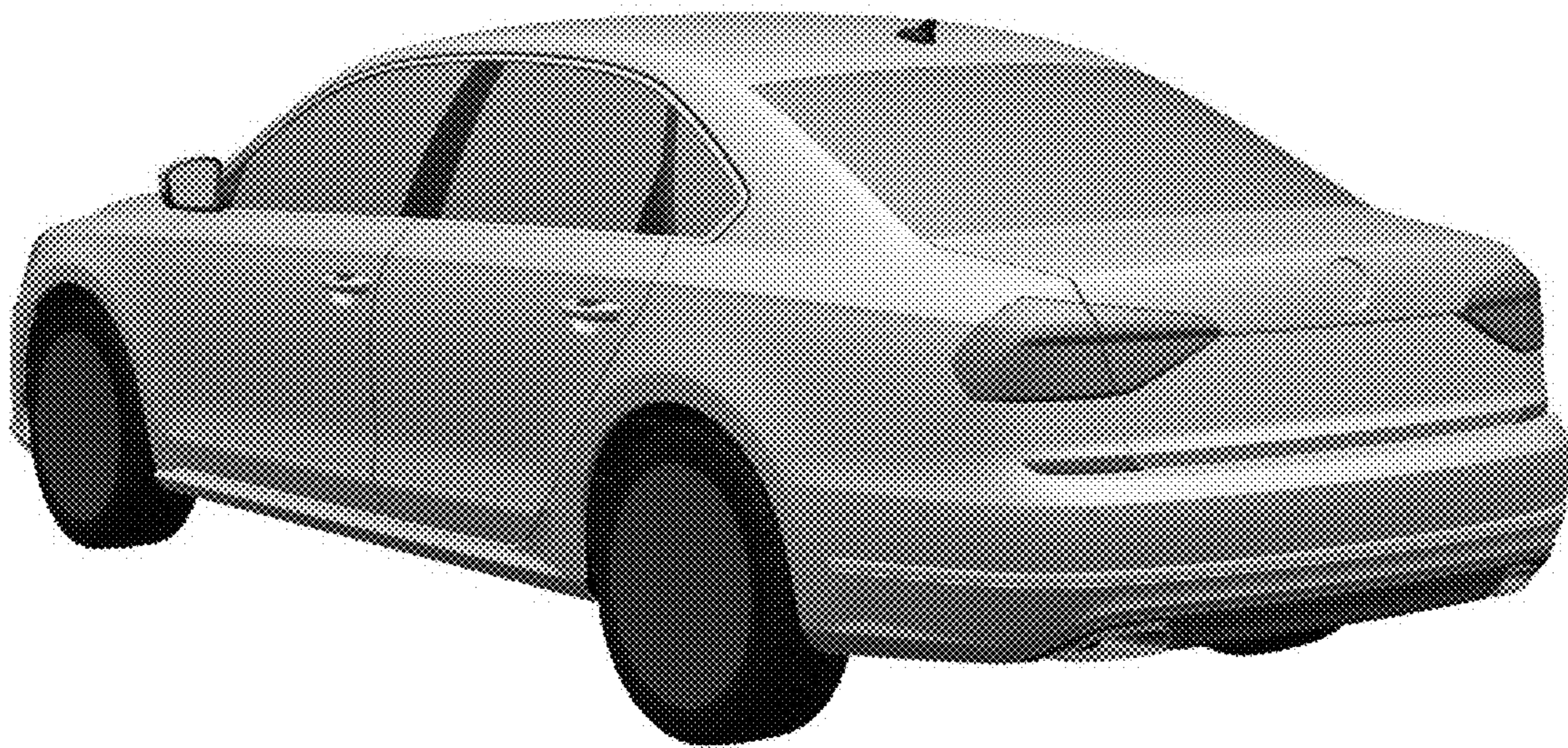
Fig. 3



Fig. 4



**Fig. 5**



**Fig. 6**

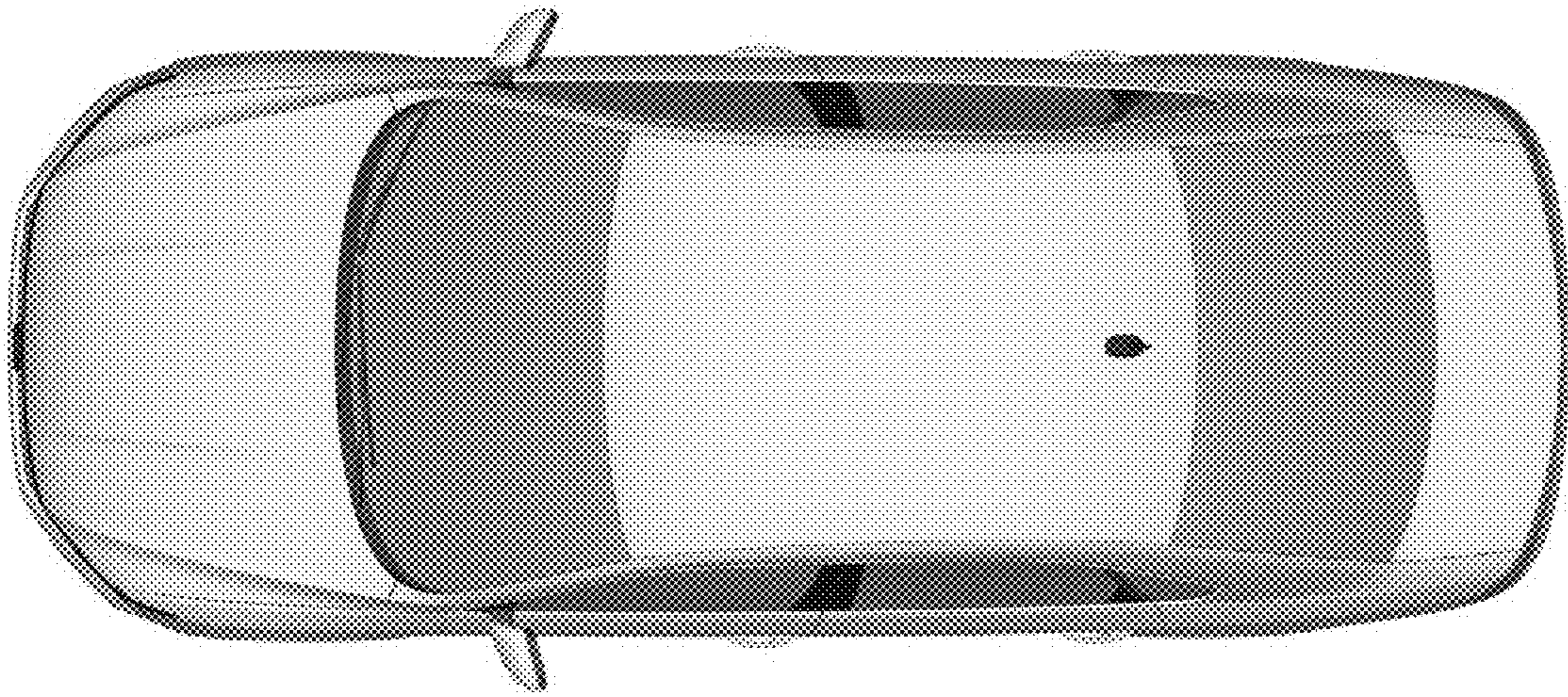


Fig. 7

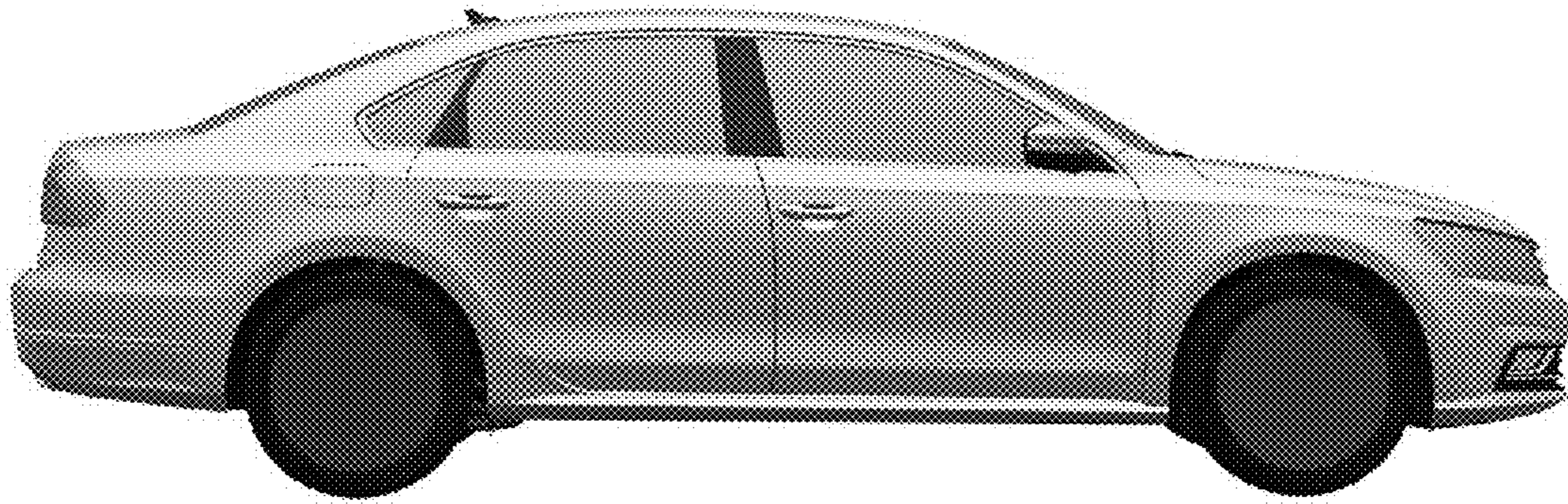


Fig. 8

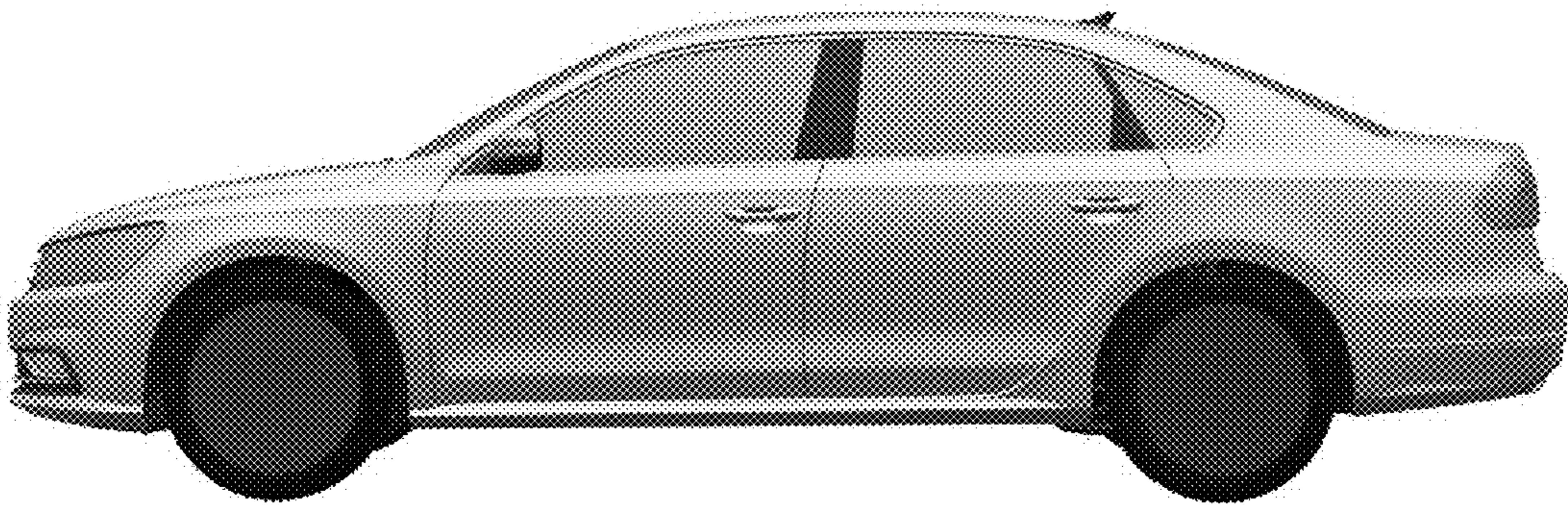


Fig. 9