

US00D761695S

(12) **United States Design Patent**
Faghihzadeh

(10) **Patent No.:** **US D761,695 S**
(45) **Date of Patent:** **** Jul. 19, 2016**

(54) **VEHICLE, TOY, AND/OR REPLICAS THEREOF**

(71) Applicant: **Bayerische Motoren Werke Aktiengesellschaft, Munich (DE)**

(72) Inventor: **Nader Faghihzadeh, Munich (DE)**

(73) Assignee: **Bayerische Motoren Werke Aktiengesellschaft, Munich (DE)**

(**) Term: **15 Years**

(21) Appl. No.: **29/527,524**

(22) Filed: **May 20, 2015**

(30) **Foreign Application Priority Data**

Nov. 21, 2014 (DE) 40 2014 101 119

(51) **LOC (10) Cl.** **12-08**

(52) **U.S. Cl.**
USPC **D12/92**

(58) **Field of Classification Search**
USPC D12/86, 90-92; D21/421, 433, 434;
296/181.1, 181.5
CPC B62D 35/00; B62D 25/00; B62D 25/06;
B62D 33/00
See application file for complete search history.

(56) **References Cited**

U.S. PATENT DOCUMENTS

D582,314 S * 12/2008 Leclercq D12/92
D593,000 S 5/2009 Habib

(Continued)

FOREIGN PATENT DOCUMENTS

EM 000934468-0001 10/2009
EM 001643164-0001 10/2010

Primary Examiner — Melody N Brown

(74) *Attorney, Agent, or Firm* — Crowell & Moring LLP

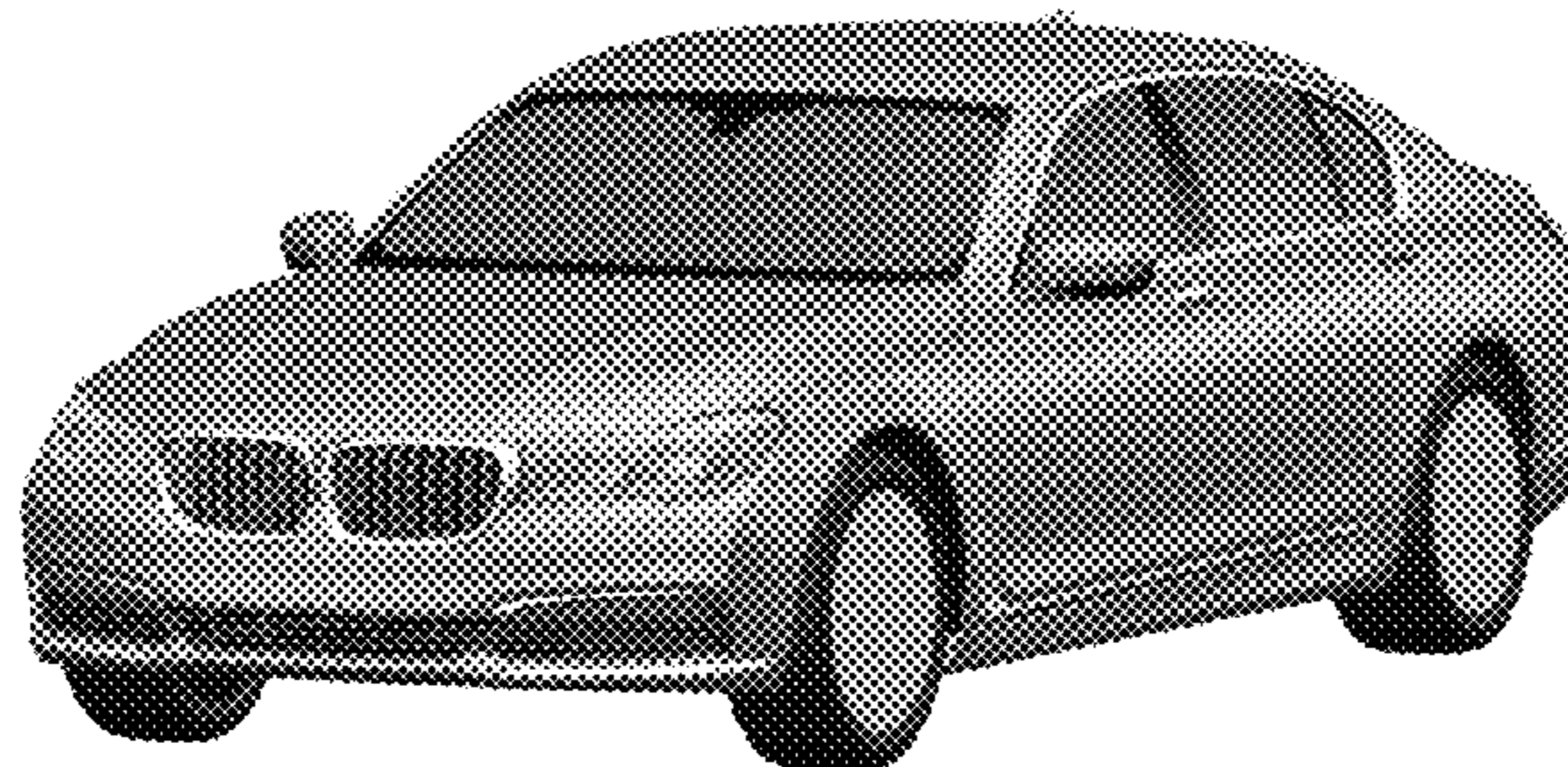
(57) **CLAIM**

The ornamental design for a vehicle, toy, and/or replicas thereof, as shown and described.

DESCRIPTION

This application contains subject matter related to the following co-pending U.S. design patent applications: Application Ser. No. 29/527,514, filed herewith and entitled "Vehicle, Toy, and/or Replicas Thereof"; Application Ser. No. 29/527,515, filed herewith and entitled "Hood for a Vehicle"; Application Ser. No. 29/527,516, filed herewith and entitled "Front Bumper for a Vehicle"; Application Ser. No. 29/527,517, filed herewith and entitled "Front Fender for a Vehicle"; Application Ser. No. 29/527,518, filed herewith and entitled "Front Door for a Vehicle"; Application Ser. No. 29/527,521, filed herewith and entitled "Rear Bumper for a Vehicle"; Application Ser. No. 29/527,522, filed herewith and entitled "Trunk Lid for a Vehicle"; Application Ser. No. 29/527,523, filed herewith and entitled "side Mirror for a Vehicle"; Application Ser. No. 29/527,525, filed herewith and entitled "Rear Door for a Vehicle"; Application Ser. No. 29/527,526, filed herewith and entitled "Rear Fender for a Vehicle"; Application Ser. No. 29/527,527, filed herewith and entitled "Front Bumper for a Vehicle"; Application Ser. No. 29/527,528, filed herewith and entitled "Rear Bumper for a Vehicle"; Application Ser. No. 29/527,529, filed herewith and entitled "Headlight for a Vehicle"; Application Ser. No. 29/527,530, filed herewith and entitled "Headlight for a Vehicle"; Application Ser. No. 29/527,531, filed herewith and entitled "Taillight for a Vehicle"; and Application Ser. No. 29/527,532, filed herewith and entitled "Taillight for a Vehicle". FIG. 1 is a left, front perspective view of a vehicle, toy, and/or replicas thereof according to the design; FIG. 2 is a left side view thereof; FIG. 3 is a right side view thereof; FIG. 4 is a left, rear perspective view thereof; FIG. 5 is a front view thereof; FIG. 6 is a rear view thereof; and, FIG. 7 is a top view thereof.

1 Claim, 7 Drawing Sheets



(56)

References Cited

U.S. PATENT DOCUMENTS

D620,843 S * 8/2010 Froehlich D12/92
D638,753 S * 5/2011 Faghihzadeh D12/92
D638,754 S * 5/2011 Faghihzadeh D12/92
D639,209 S * 6/2011 Faghihzadeh D12/92
D714,192 S * 9/2014 Huet D12/92

D714,687 S * 10/2014 Selvaag D12/92
D714,688 S * 10/2014 Baek D12/92
D716,187 S * 10/2014 Beermann D12/92
D716,189 S * 10/2014 Nordmann D12/92
D728,429 S * 5/2015 Nissl D12/92
D742,283 S * 11/2015 Forsgren D12/92
D743,846 S * 11/2015 Guille D12/92

* cited by examiner



Fig. 1

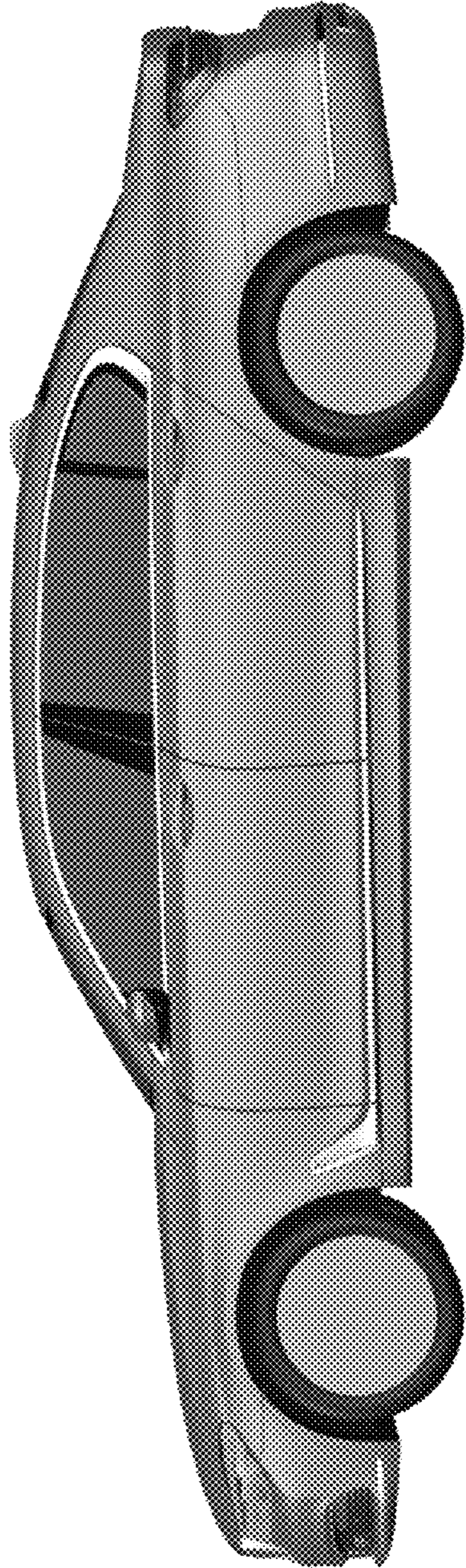


Fig. 2

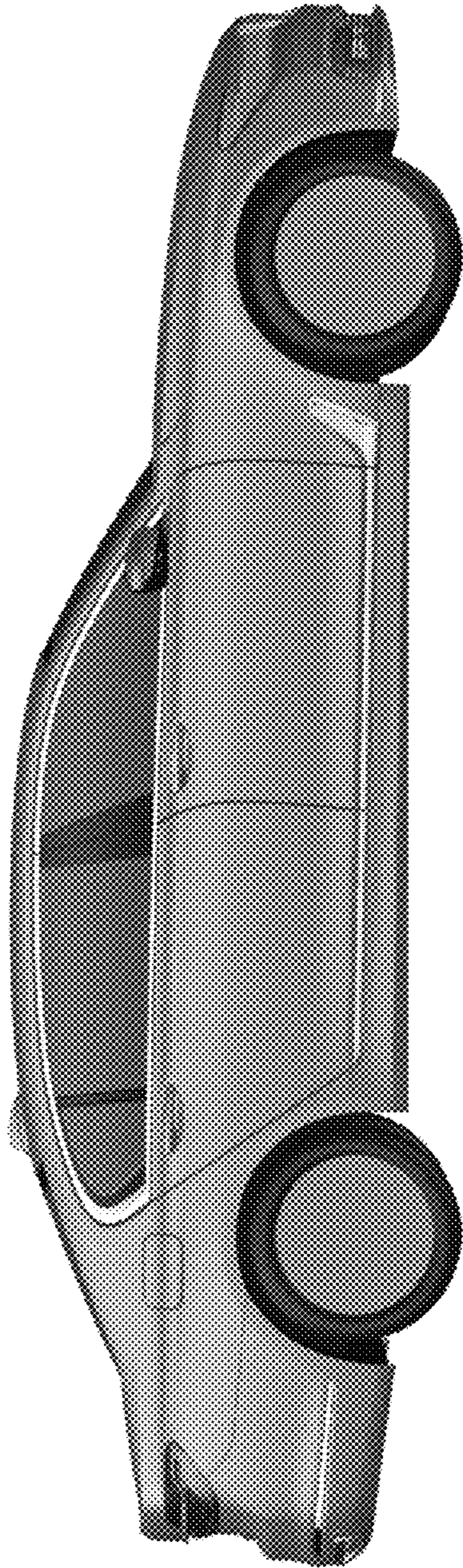


Fig. 3



Fig. 4

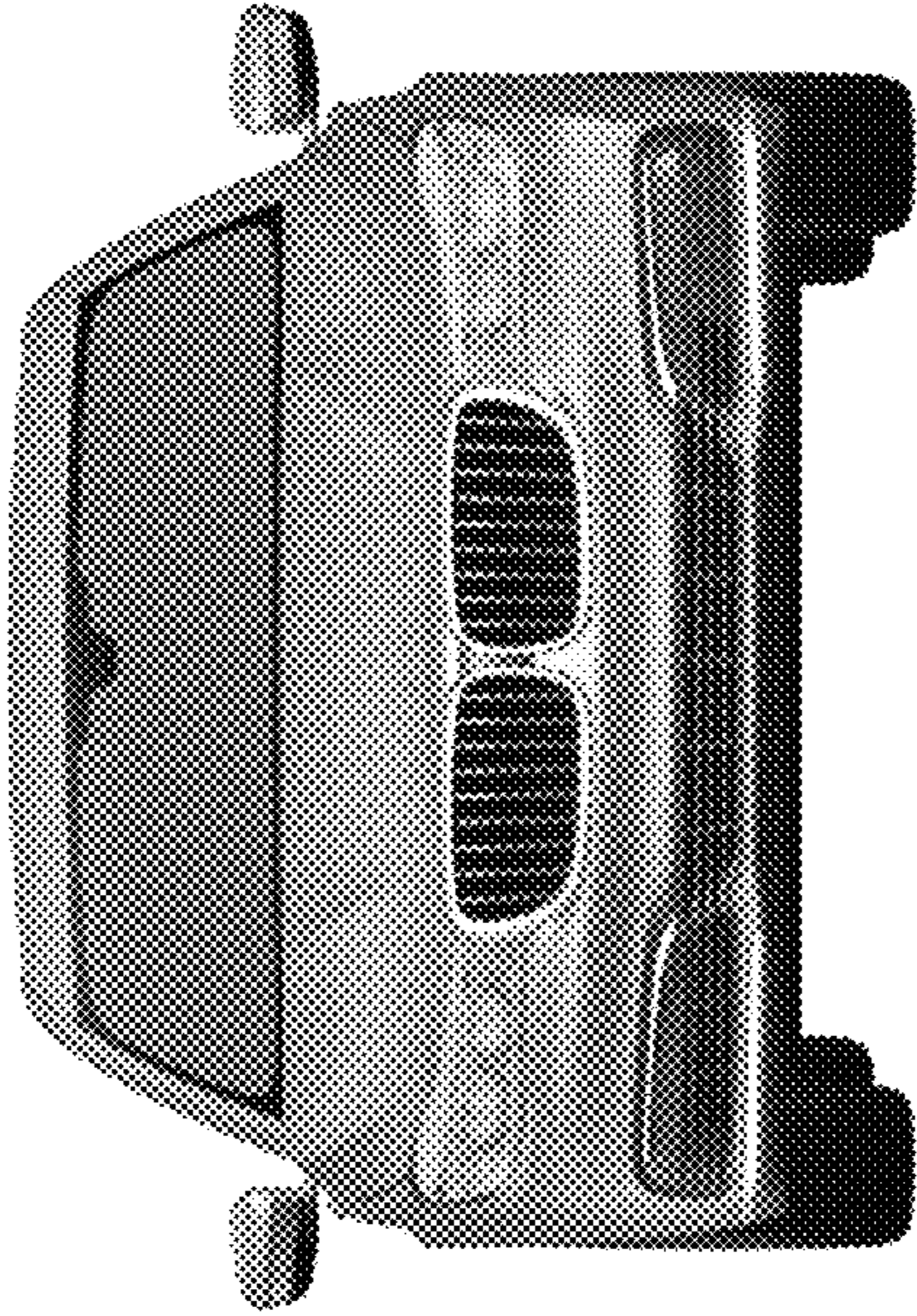


Fig. 5



Fig. 6

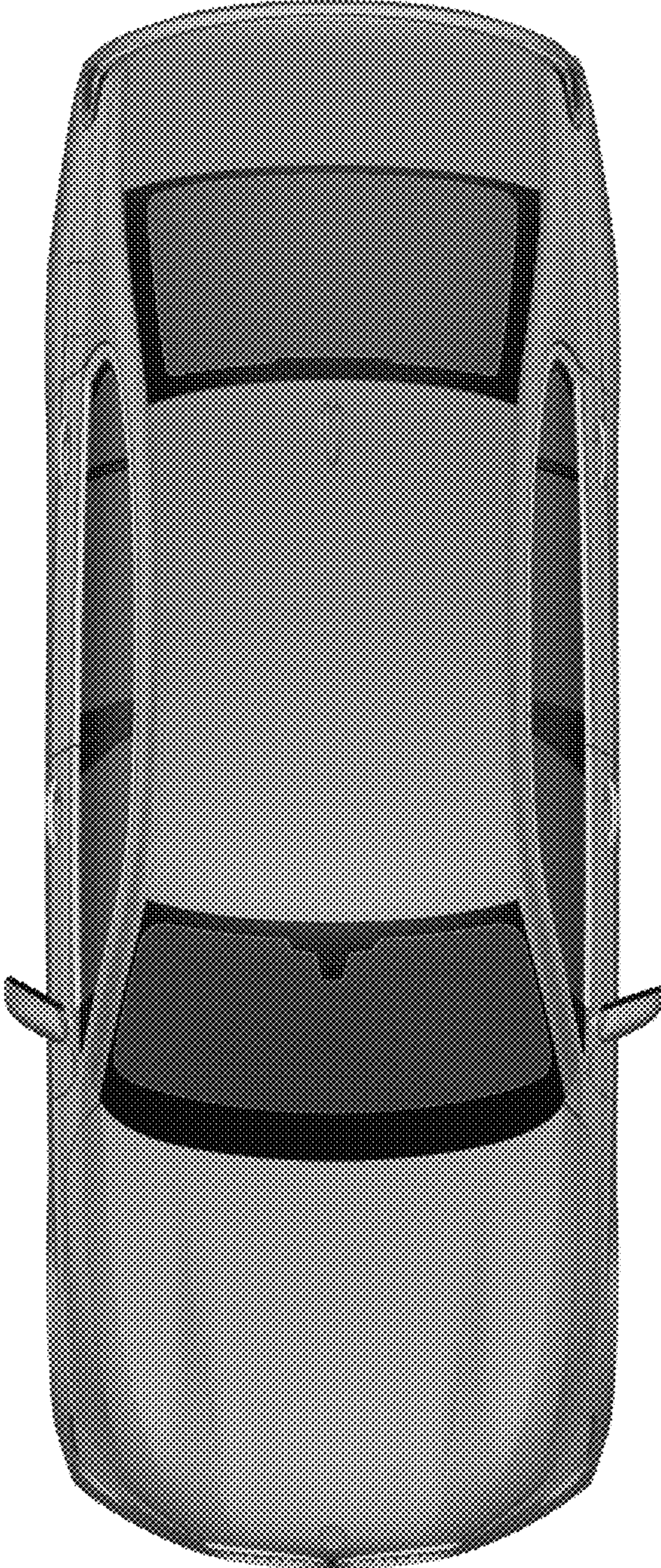


Fig. 7