



US00D761693S

(12) **United States Design Patent**
Lian et al.

(10) **Patent No.:** **US D761,693 S**
(45) **Date of Patent:** **** Jul. 19, 2016**

(54) **VEHICLE**

(71) Applicant: **BYD COMPANY LIMITED**, Shenzhen (CN)

(72) Inventors: **Yubo Lian**, Shenzhen (CN); **Jihan Fan**, Shenzhen (CN); **Bo Bi**, Shenzhen (CN); **Yue Li**, Shenzhen (CN)

(73) Assignee: **BYD COMPANY LIMITED**, Shenzhen (CN)

(**) Term: **14 Years**

(21) Appl. No.: **29/516,319**

(22) Filed: **Jan. 30, 2015**

(30) **Foreign Application Priority Data**

Jul. 30, 2014 (CN) 2014 3 0263395

(51) **LOC (10) Cl.** **12-08**

(52) **U.S. Cl.**
USPC **D12/91**

(58) **Field of Classification Search**
USPC D12/86, 90-92; D21/421, 433, 434;
296/181.1, 181.5
CPC B62D 35/00; B62D 25/00; B62D 25/056;
B62D 33/00

See application file for complete search history.

(56) **References Cited**

U.S. PATENT DOCUMENTS

D608,690 S *	1/2010	Folden	D12/91
D608,691 S *	1/2010	Zak, Jr.	D12/91
D637,109 S *	5/2011	Muller	D12/91
D728,422 S *	5/2015	Minami	D12/91
D731,924 S *	6/2015	Lian	D12/91
D735,611 S *	8/2015	Aengenheyster	D12/91

* cited by examiner

Primary Examiner — Melody N Brown

(74) *Attorney, Agent, or Firm* — Morgan, Lewis & Bockius LLP

(57) **CLAIM**

The ornamental design for a vehicle, as shown and described.

DESCRIPTION

FIG. 1 is a front elevational view of a vehicle showing our new design;

FIG. 2 is a rear elevational view thereof;

FIG. 3 is a left side elevational view thereof;

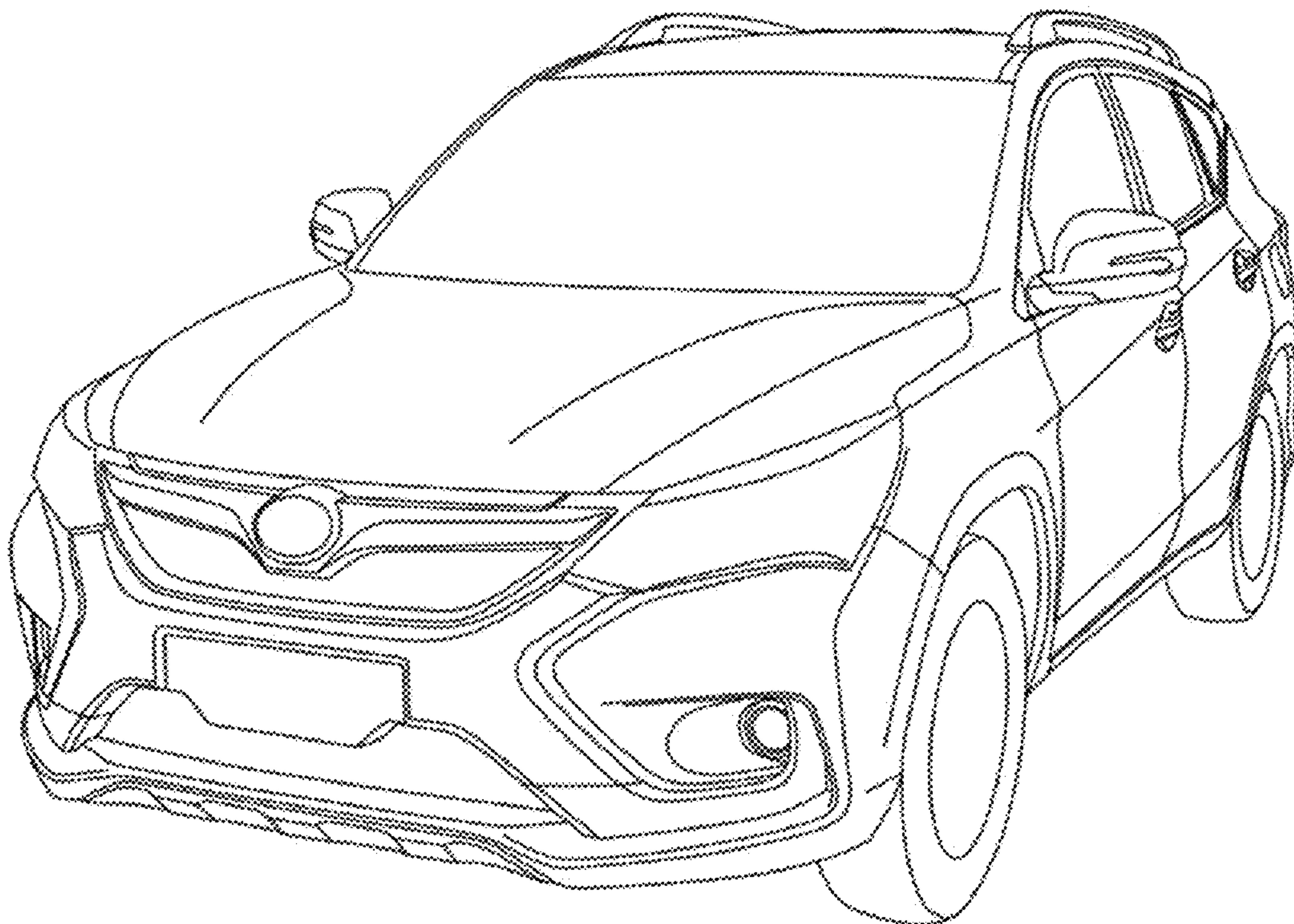
FIG. 4 is a right side elevational view thereof;

FIG. 5 is a top plan view thereof;

FIG. 6 is a top, front and right side perspective view thereof; and,

FIG. 7 is a bottom, front and left side perspective view thereof.

1 Claim, 4 Drawing Sheets



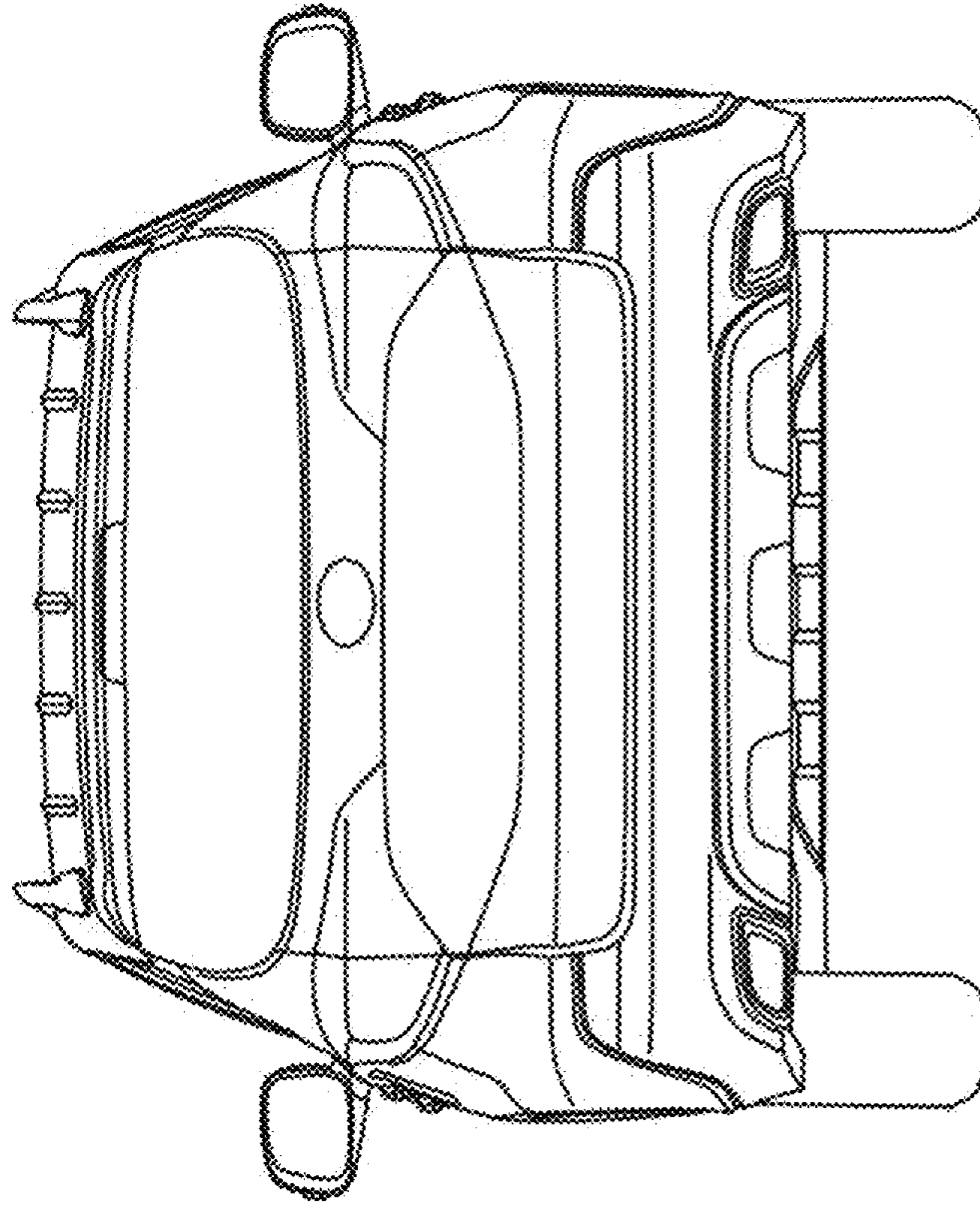


FIG. 2

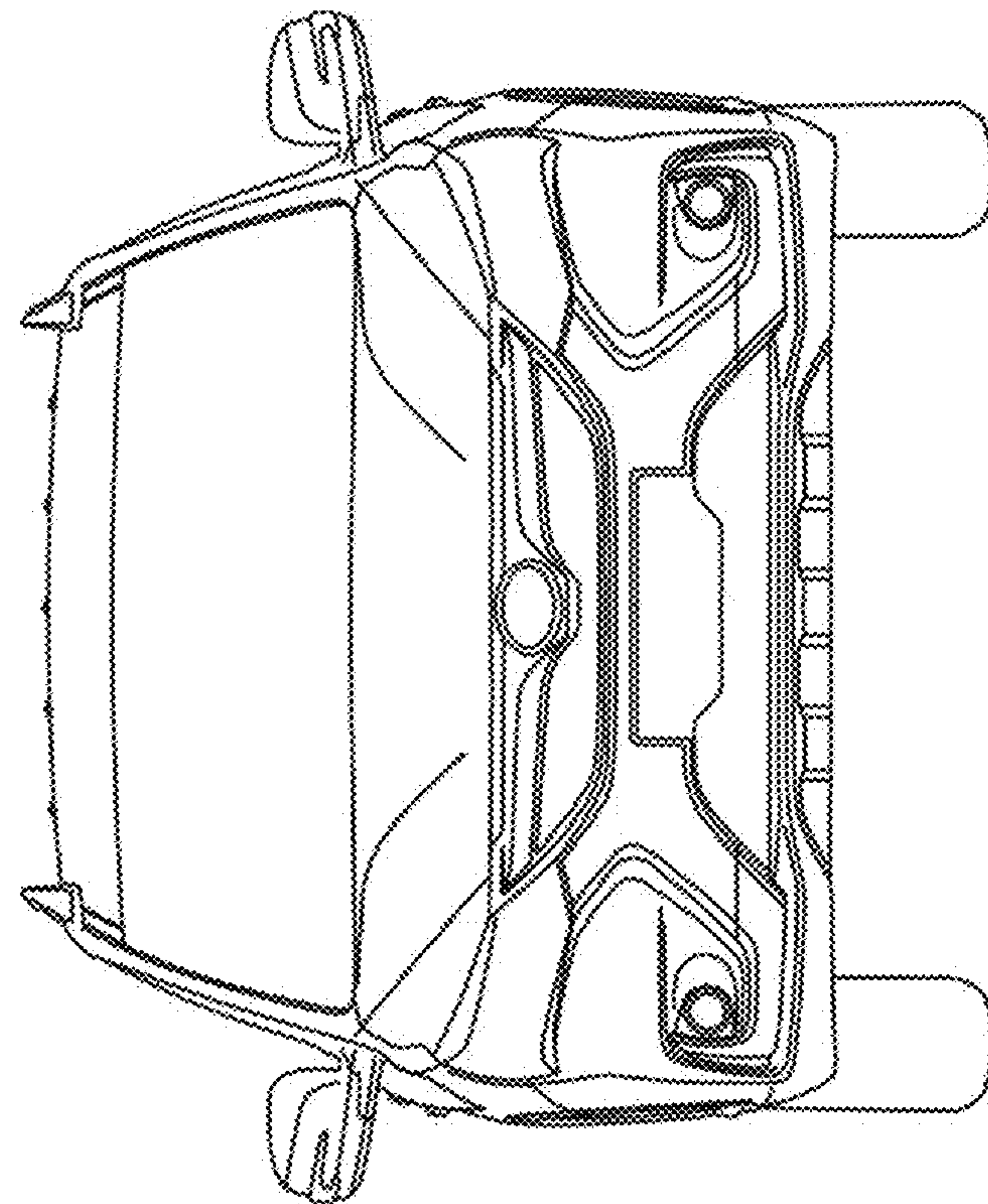


FIG. 1

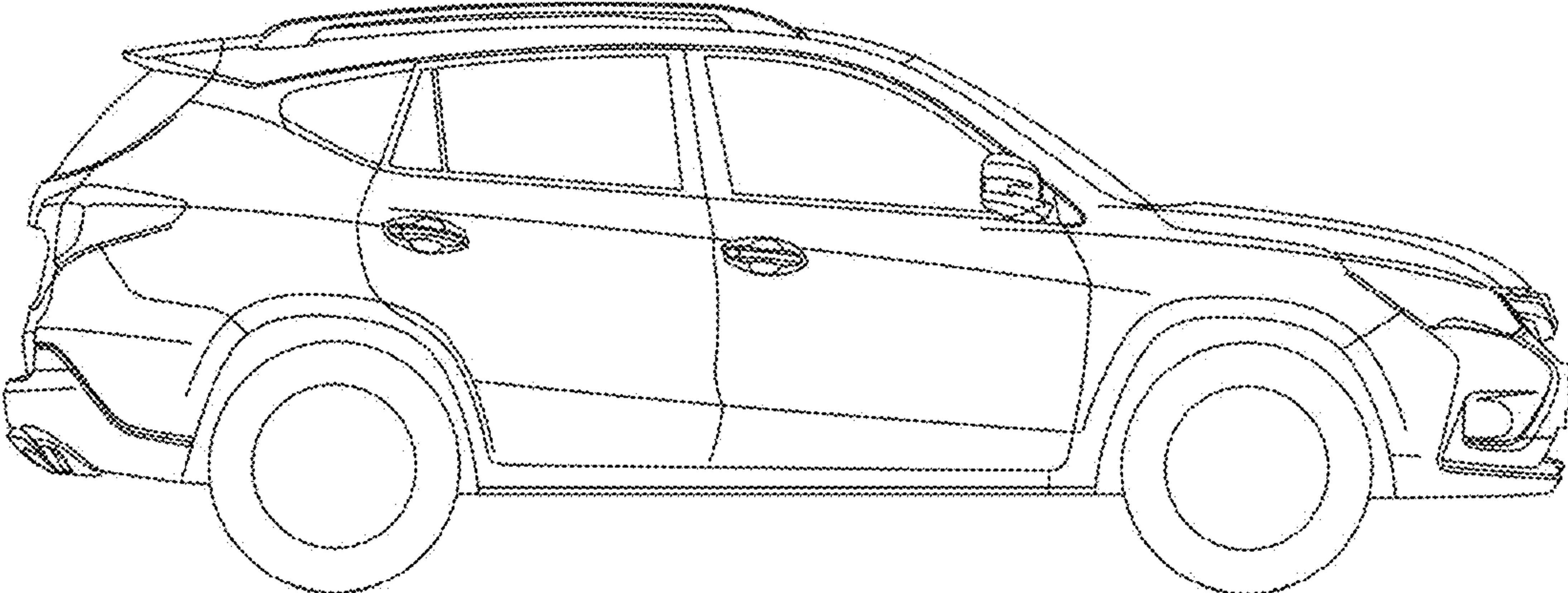


FIG. 3

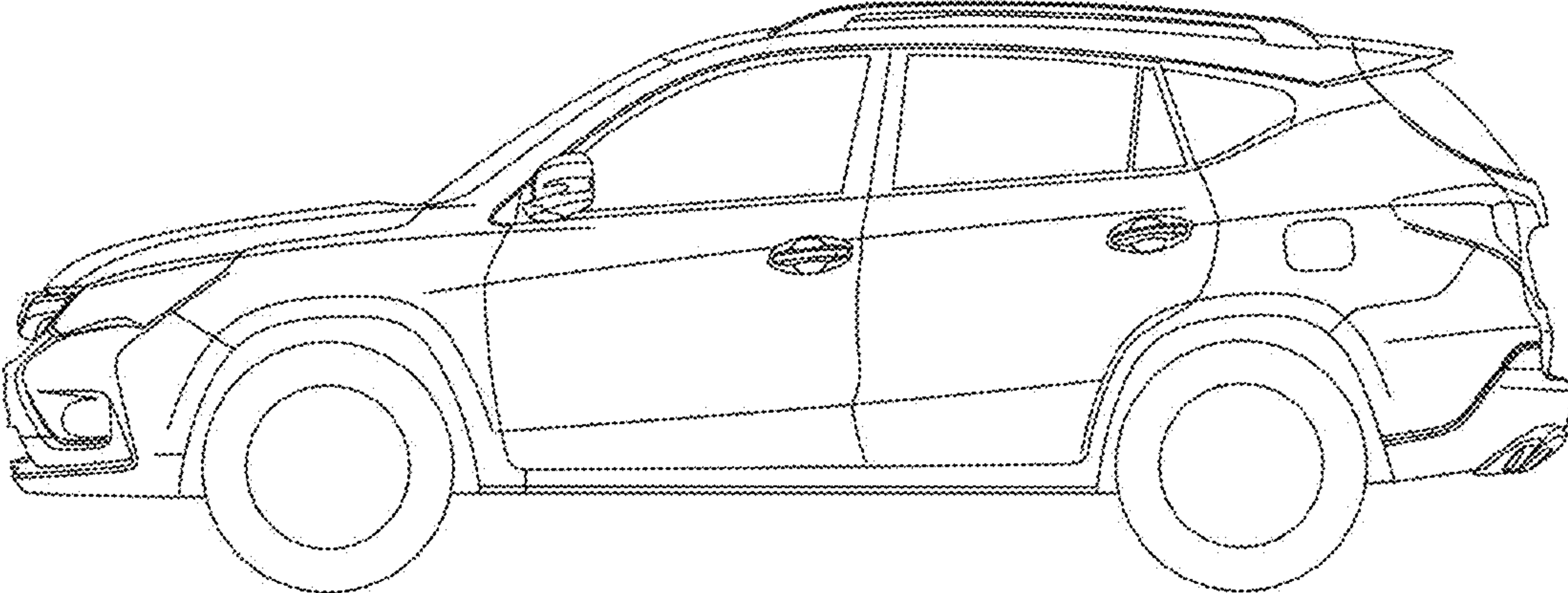


FIG. 4

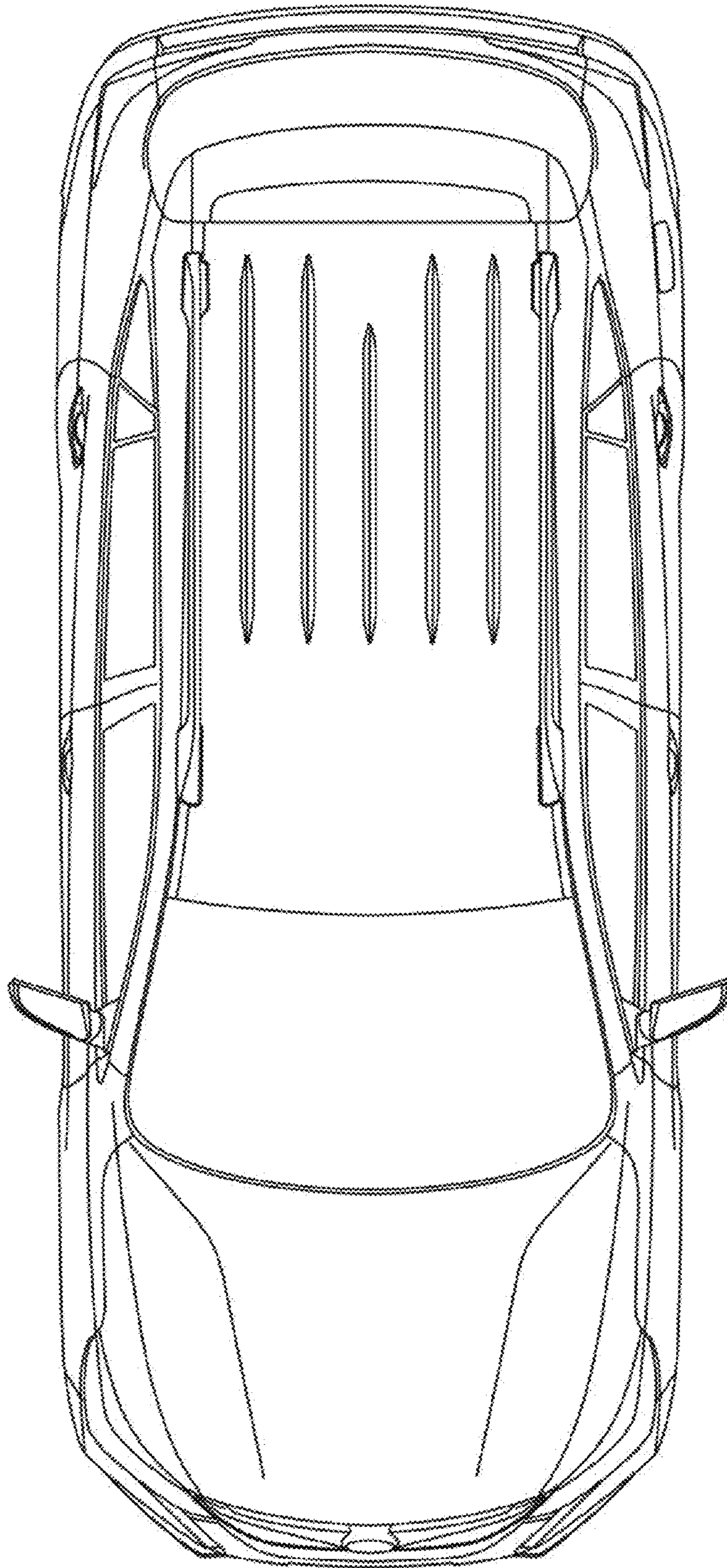


FIG. 5

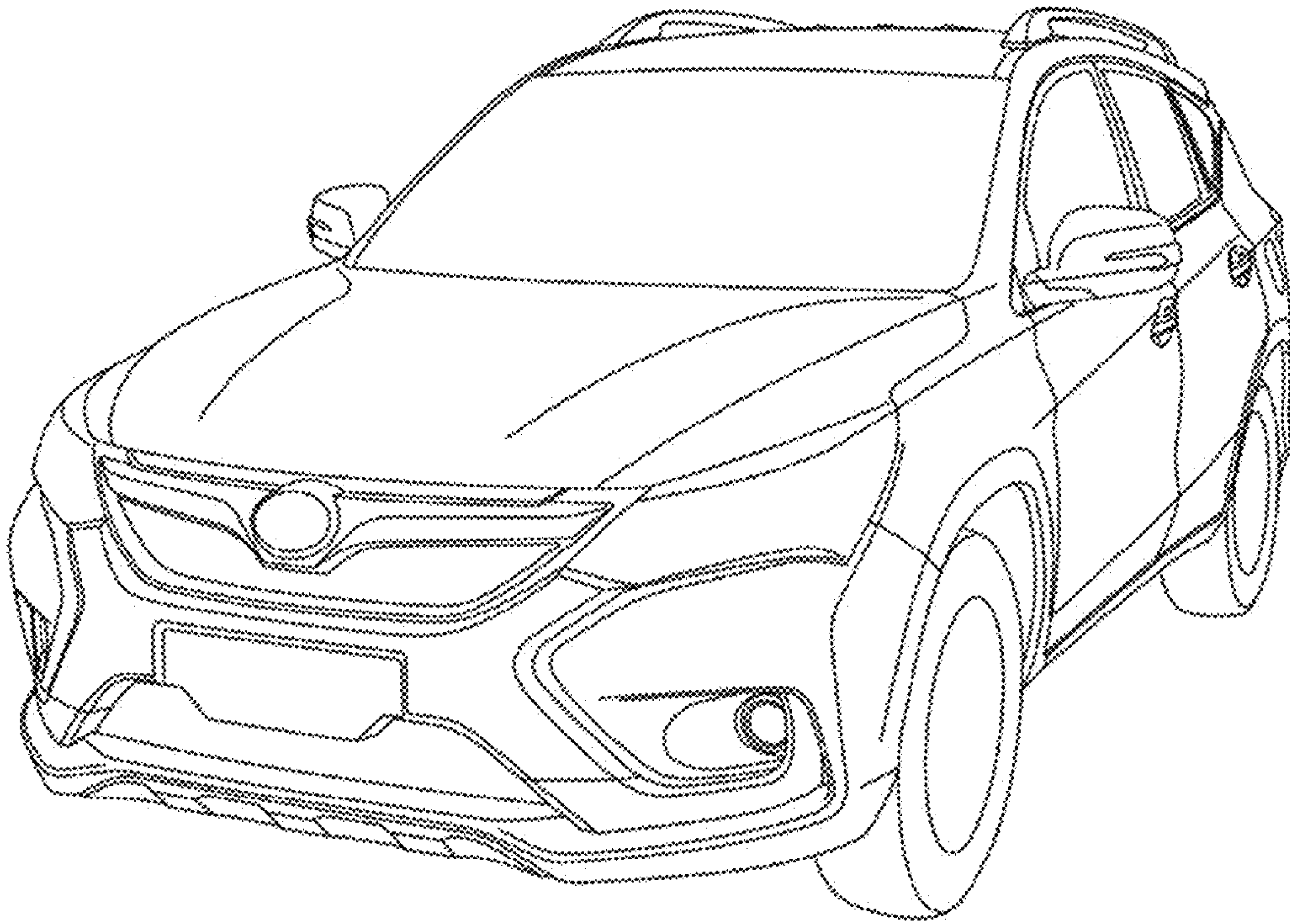


FIG. 6

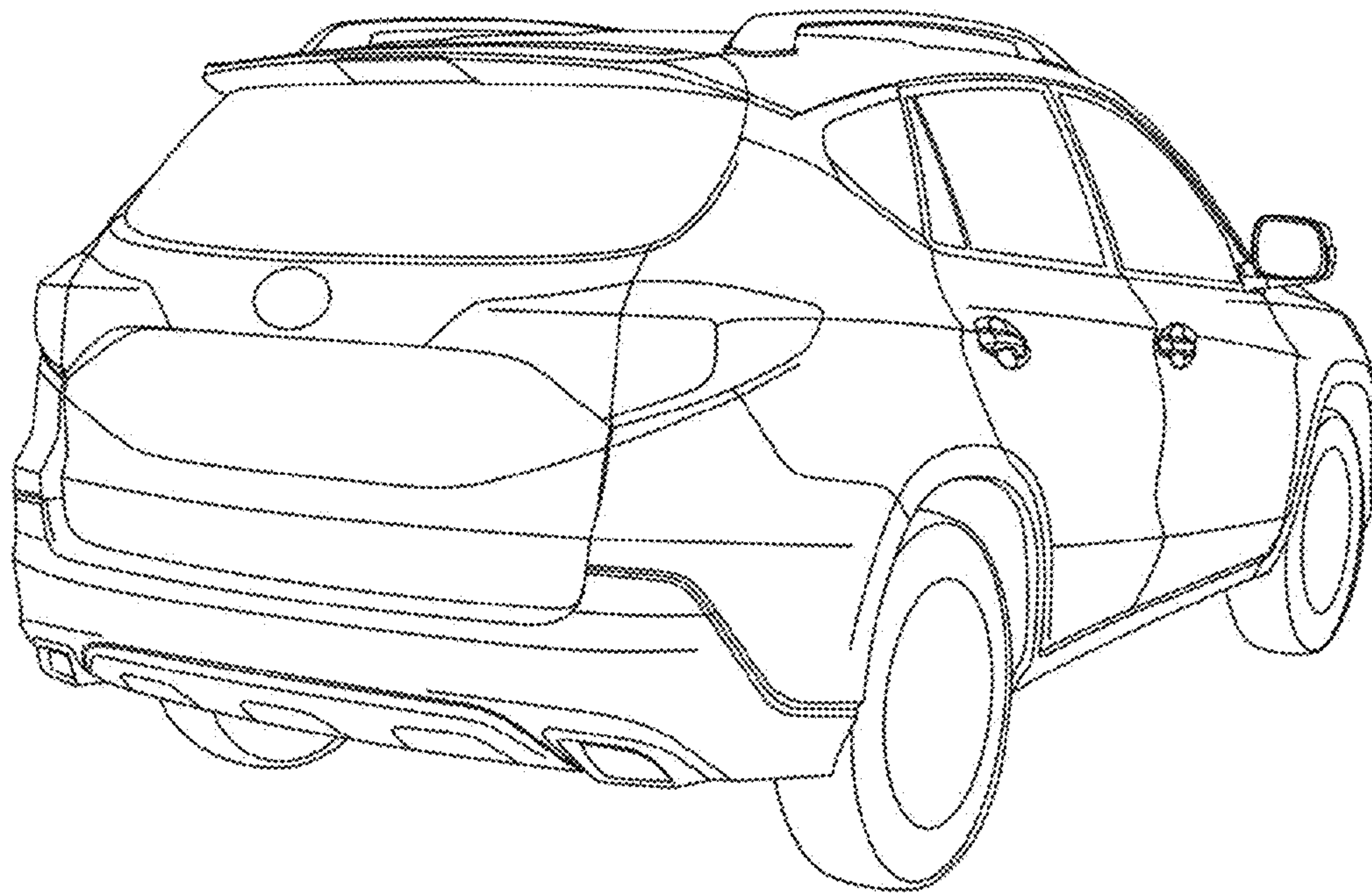


FIG. 7