



US00D761692S

(12) **United States Design Patent**  
**Canni et al.**

(10) **Patent No.:** **US D761,692 S**  
(45) **Date of Patent:** **\*\* Jul. 19, 2016**

(54) **STORAGE COMPARTMENT FOR A VEHICLE**

(71) Applicant: **Tanom Motors, LLC**, Culpeper, VA  
(US)

(72) Inventors: **Adam J. Canni**, Fleming Island, FL  
(US); **Clyde T. Sliger**, Culpeper, VA  
(US); **Merrill C. Hall**, Culpeper, VA  
(US)

(73) Assignee: **TANOM MOTORS, LLC**, Culpeper,  
VA (US)

(\*\*) Term: **14 Years**

(21) Appl. No.: **29/444,777**

(22) Filed: **Feb. 4, 2013**

**Related U.S. Application Data**

(63) Continuation of application No. 29/405,225, filed on  
Oct. 31, 2011, now Pat. No. Des. 682,158.

(51) **LOC (10) Cl.** ..... **12-08**

(52) **U.S. Cl.**

USPC ..... **D12/85**

(58) **Field of Classification Search**

USPC ..... D12/1, 82, 85, 86, 88; D21/424, 433,  
D21/434; 296/181.1, 181.5; 180/210, 218

CPC ..... B62K 5/05; B62K 5/06; B62K 5/08;  
B62K 7/02; B62K 25/04; B62K 25/283;  
B62D 21/18; B62D 61/065; B62J 1/00;  
B62J 17/00

See application file for complete search history.

(56) **References Cited**

**U.S. PATENT DOCUMENTS**

D55,440 S 6/1920 Smith  
1,989,995 A 2/1935 Martin  
D94,847 S 3/1935 Martin

2,788,858 A 4/1957 Aasland et al.  
2,818,929 A 1/1958 Kucera  
3,419,098 A 12/1968 Mayers et al.  
3,610,358 A 10/1971 Korff  
D248,461 S 7/1978 Edmonson  
D260,871 S \* 9/1981 Cargile ..... D12/85  
D262,871 S 2/1982 Powers  
4,448,278 A 5/1984 Badsey  
4,453,763 A \* 6/1984 Richards ..... 296/181.2

(Continued)

**OTHER PUBLICATIONS**

Noah Joseph, "Part Harley, Part Hot Rod, All Crazy," [retrieved from  
the Internet], Campagna V13R [retrieved on Oct. 12, 2012], Oct. 27,  
2011.

(Continued)

*Primary Examiner* — Philip S Hyder

*Assistant Examiner* — Darlington Ly

(74) *Attorney, Agent, or Firm* — Cooley LLP

(57) **CLAIM**

The ornamental design for a storage compartment for a  
vehicle, as shown and described.

**DESCRIPTION**

FIG. 1 is a front and left-side perspective view of the storage  
compartment of the reverse trike according to our design;  
FIG. 2 is a rear and left-side perspective view thereof;  
FIG. 3 is a left-side elevation view thereof, the right-side  
elevation view being a mirror image of the left-side elevation  
view;

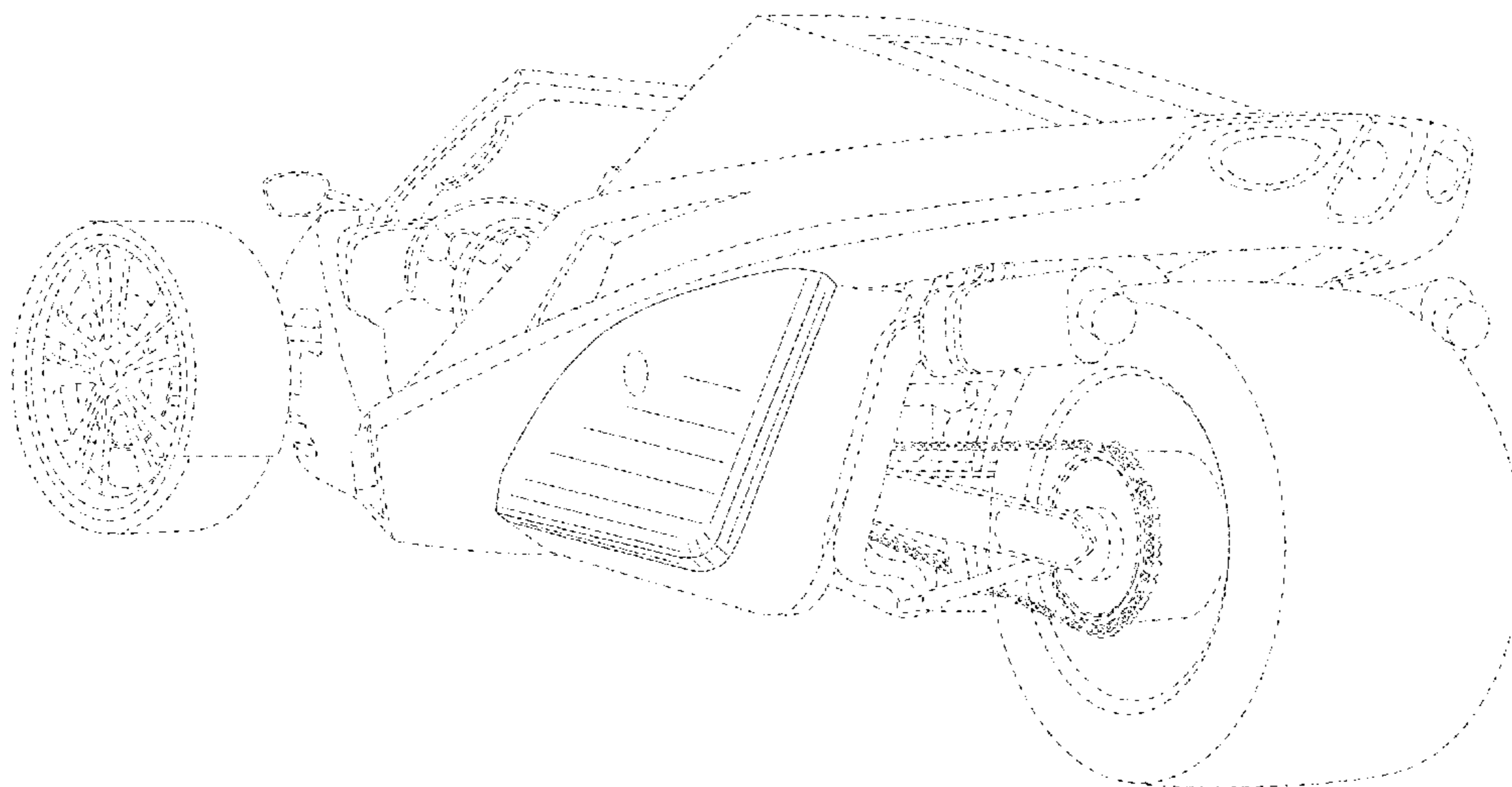
FIG. 4 is a front elevation view thereof;

FIG. 5 is a rear elevation view thereof; and,

FIG. 6 is a top plan view thereof.

The broken lines showing portions of the reverse trike are  
directed to environmental structure and form no part of the  
claimed design.

**1 Claim, 6 Drawing Sheets**



(56)

References Cited

U.S. PATENT DOCUMENTS

D274,995 S \* 8/1984 Richards et al. .... D12/85  
 4,506,753 A 3/1985 Wood, Jr.  
 D283,113 S 3/1986 Stollery  
 4,583,613 A 4/1986 Nakayama  
 4,671,563 A 6/1987 Shakespear  
 5,236,060 A 8/1993 Huber  
 D340,533 S \* 10/1993 Beaulieu et al. .... D25/58  
 5,431,243 A 7/1995 Richards  
 5,806,622 A 9/1998 Murphy  
 D407,348 S 3/1999 Riley  
 5,960,901 A 10/1999 Hanagan et al.  
 6,015,022 A 1/2000 Thuliez  
 D424,979 S 5/2000 Hanagan et al.  
 D427,548 S \* 7/2000 Sacco et al. .... D12/85  
 D449,018 S \* 10/2001 Musser ..... D12/85  
 D450,228 S \* 11/2001 Onion ..... D8/99  
 D469,037 S \* 1/2003 Hanagan et al. .... D12/85  
 D469,386 S \* 1/2003 Hanagan et al. .... D12/85  
 6,523,634 B1 2/2003 Gagnon et al.  
 6,651,764 B2 11/2003 Fournier et al.  
 D485,788 S 1/2004 Guay et al.  
 6,708,579 B2 3/2004 Punko  
 D502,893 S \* 3/2005 Matthies ..... D12/110  
 6,948,581 B2 9/2005 Fecteau et al.  
 D512,344 S \* 12/2005 Matthies ..... D12/110  
 7,377,295 B2 5/2008 Byers et al.  
 7,464,781 B2 12/2008 Guay et al.  
 D584,188 S \* 1/2009 Jenkins et al. .... D12/85  
 7,484,767 B2 2/2009 Tsuya  
 D589,844 S \* 4/2009 Aube et al. .... D12/85

D592,547 S \* 5/2009 Riley ..... D12/85  
 D592,548 S \* 5/2009 Aube et al. .... D12/85  
 D593,908 S \* 6/2009 Longpre et al. .... D12/107  
 7,543,672 B2 6/2009 Codere et al.  
 D596,993 S \* 7/2009 Matthies ..... D12/110  
 7,571,787 B2 8/2009 Saiki  
 7,591,337 B2 9/2009 Suhre et al.  
 7,621,362 B2 11/2009 Ogawa et al.  
 D613,203 S 4/2010 Geslin et al.  
 D626,032 S 10/2010 Starr  
 D633,821 S 3/2011 Hill et al.  
 7,926,607 B2 4/2011 Seiter  
 8,061,465 B2 11/2011 Martino  
 D666,127 S \* 8/2012 Nam ..... D12/85  
 D678,124 S 3/2013 Canni et al.  
 D682,158 S 5/2013 Canni et al.  
 D710,274 S 8/2014 Canni et al.  
 2007/0256882 A1 11/2007 Bedard et al.  
 2011/0006498 A1 \* 1/2011 Mercier ..... 280/124.103  
 2012/0241237 A1 9/2012 Holroyd et al.  
 2012/0241239 A1 \* 9/2012 Holroyd et al. .... 180/210  
 2013/0105238 A1 5/2013 Hall et al.

OTHER PUBLICATIONS

“The street legal Pavement Predator,” T-Rex 14R, Campagna, 2011.  
 “T-Rex: Three Wheeled Sports Car or Motorcycle,” [retrieved from the Internet] [retrieved on Sep. 18, 2012].  
 Search and Examination Report for Australian Patent Application No. 12130/2012, mailed Sep. 18, 2012.  
 International Preliminary Report on Patentability for International Patent Application No. PCT/US2012/062391, mailed May 6, 2014.

\* cited by examiner

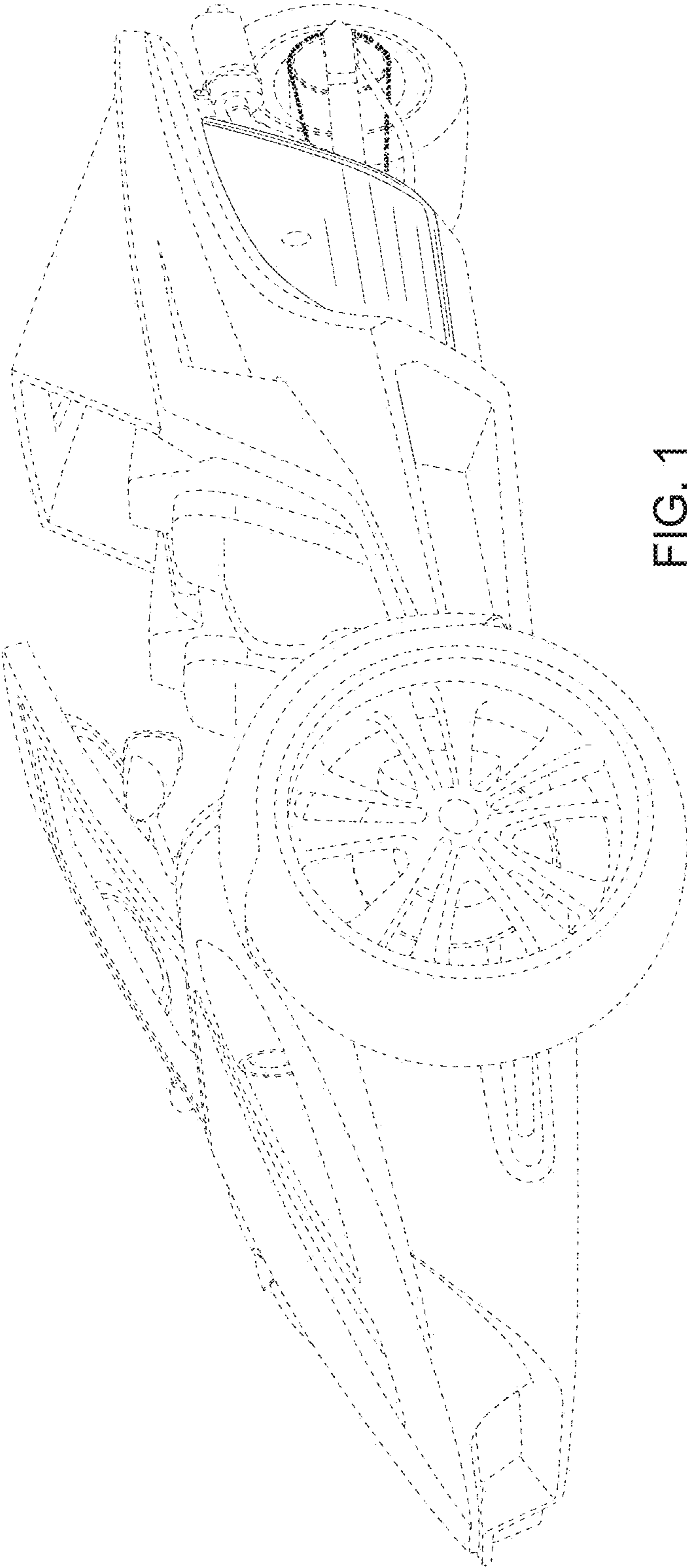


FIG. 1

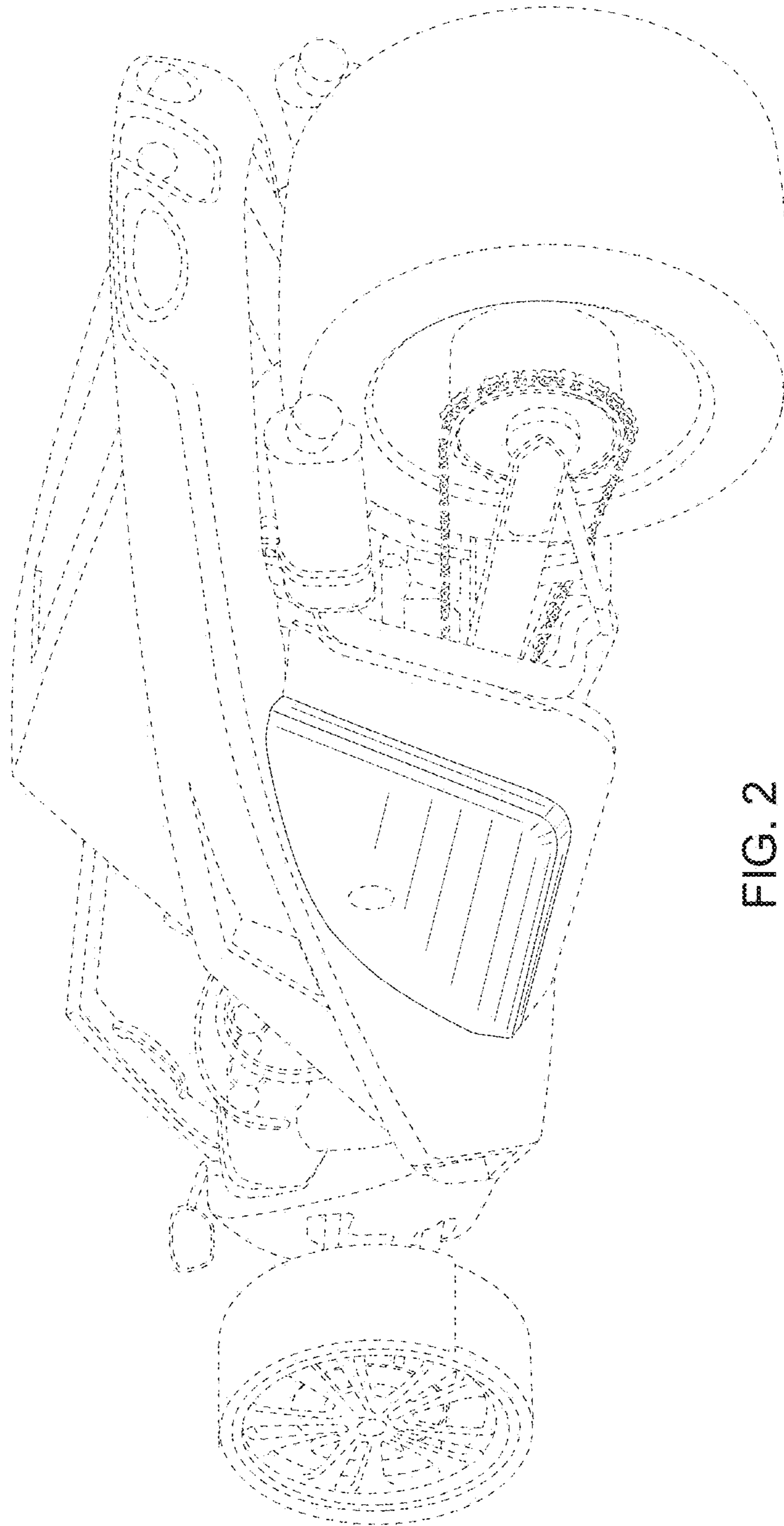


FIG. 2

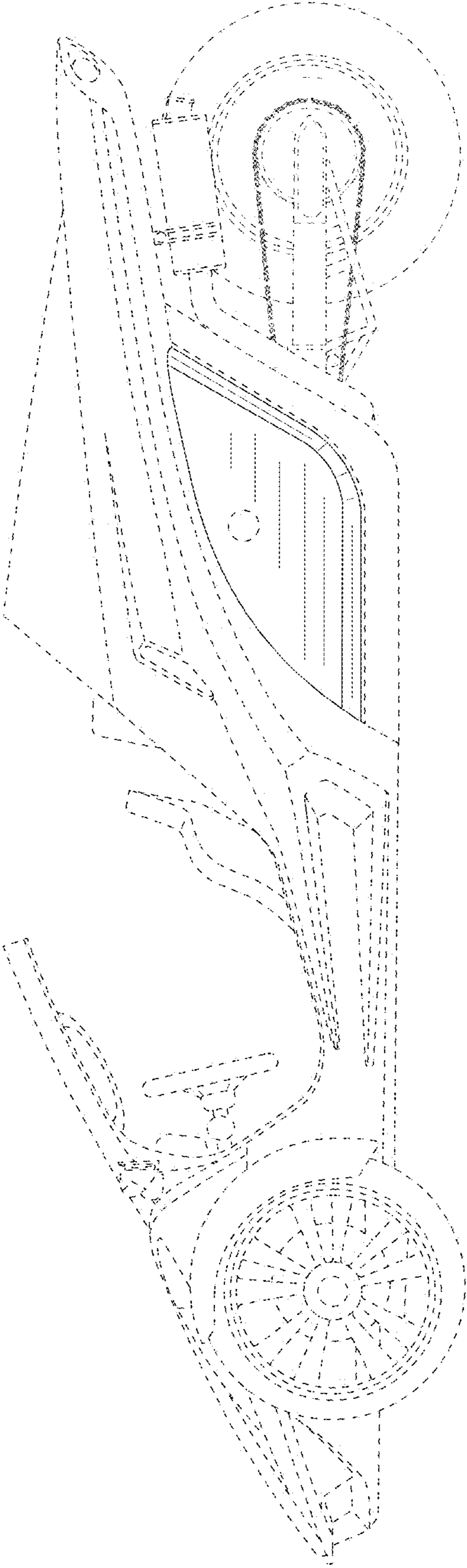


FIG. 3

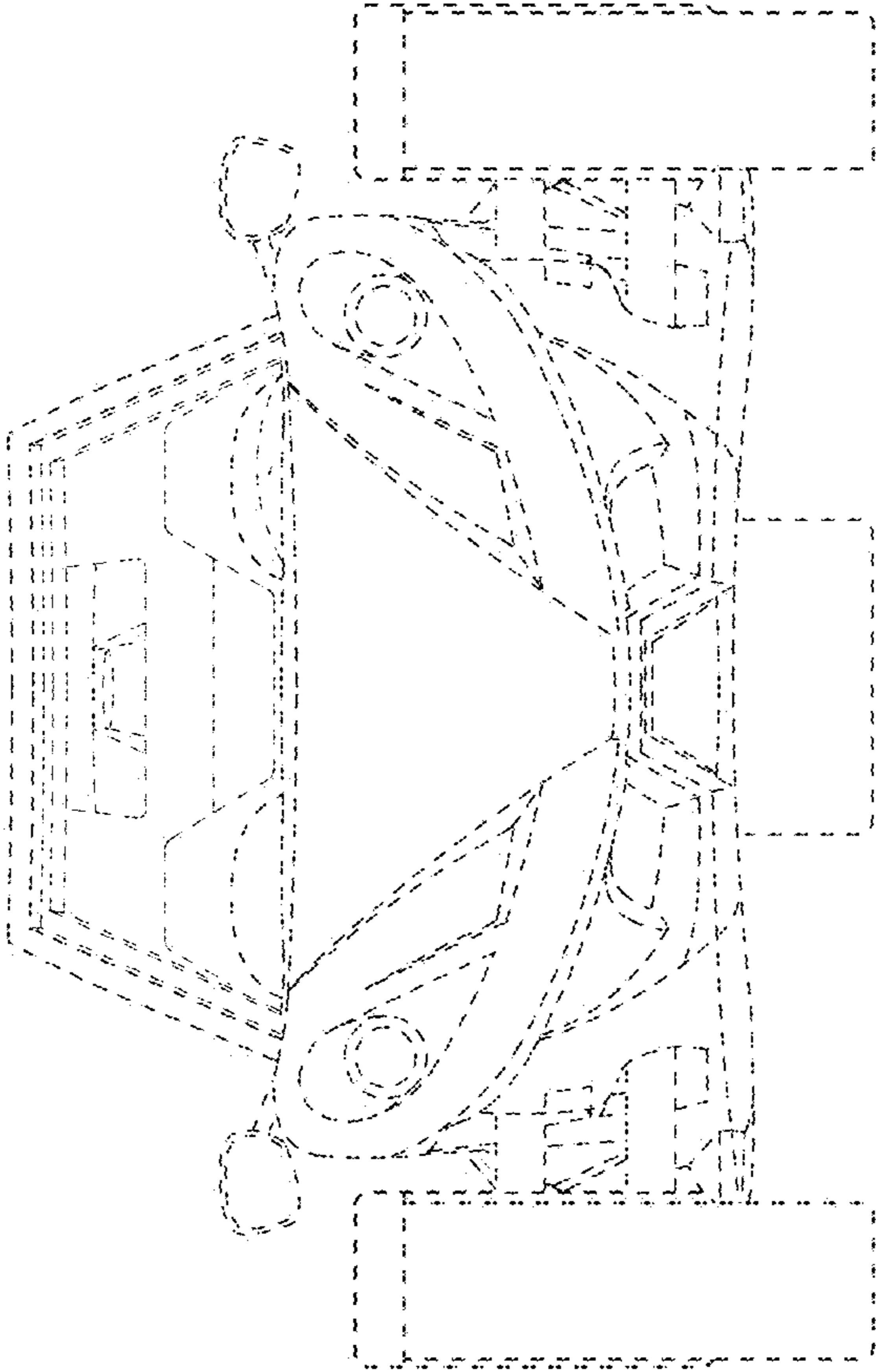


FIG.4

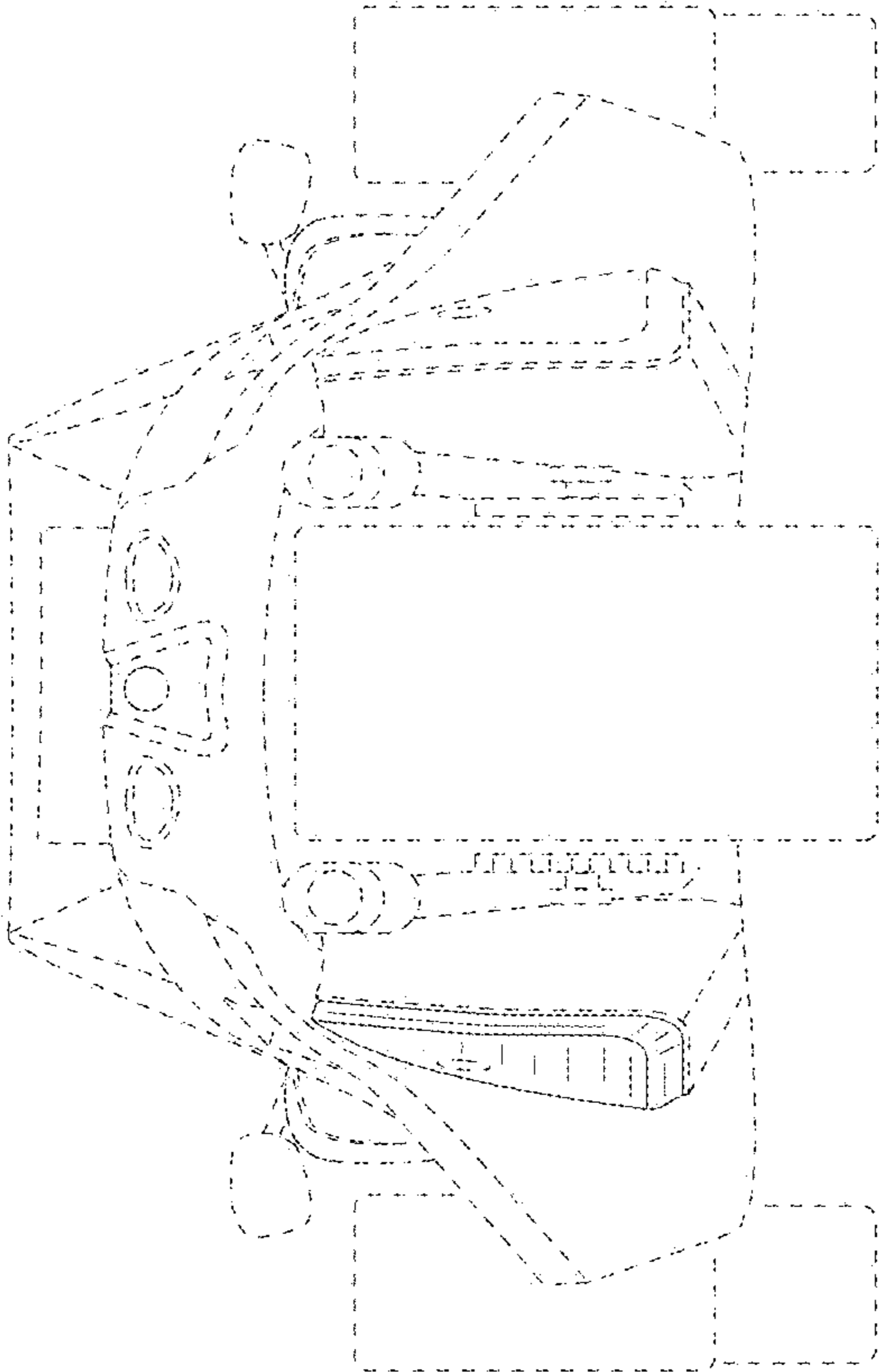


FIG. 5

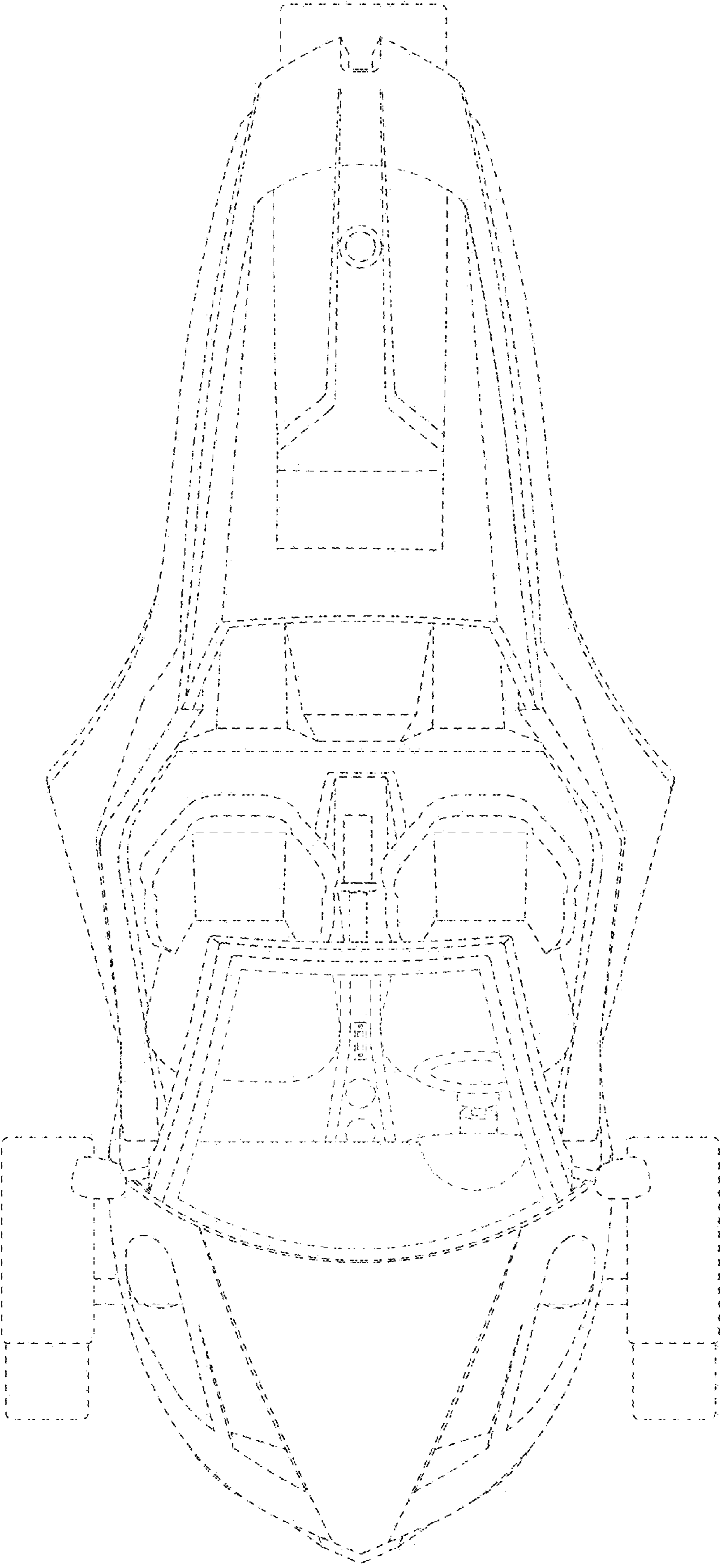


FIG. 6