



US00D761691S

(12) **United States Design Patent**
Gibney et al.

(10) **Patent No.:** **US D761,691 S**
(45) **Date of Patent:** **** Jul. 19, 2016**

(54) **INLET DOOR ASSEMBLY OF A HOPPER WAGON**

(71) Applicant: **Drax Power Limited**, Selby, North Yorkshire (GB)

(72) Inventors: **Richard Peter Gibney**, Derby (GB);
Stephen John Jones, Derby (GB);
Jonathan James Barlow, Derby (GB)

(73) Assignee: **Drax Power Limited**, Selby, North Yorkshire (GB)

(**) Term: **14 Years**

(21) Appl. No.: **29/464,440**

(22) Filed: **Aug. 16, 2013**

(30) **Foreign Application Priority Data**

Feb. 19, 2013 (EM) 002187021-0002

(51) **LOC (10) Cl.** **12-03**

(52) **U.S. Cl.**
USPC **D12/43**

(58) **Field of Classification Search**
USPC 238/349, 310; D12/36-51; 198/400;
105/281, 118, 106, 89, 287, 94, 329.1,
105/154, 119-121, 289, 406.1, 247, 248,
105/249, 251, 238.1, 250, 253, 239, 241.1,
105/377.07, 377.1, 377.11, 381, 391, 377.5,
105/377.06
CPC B61D 7/00; B61D 7/24; B61D 39/00
See application file for complete search history.

(56) **References Cited**

U.S. PATENT DOCUMENTS

1,298,220 A * 3/1919 Jordan E05D 3/12
105/377.05
1,333,464 A * 3/1920 Christophersen B61D 39/001
105/377.06
2,408,132 A * 9/1946 Weeks B60J 7/141
220/263

4,077,329 A * 3/1978 Adler B61D 39/00
105/248
4,585,267 A * 4/1986 Friesen B60J 7/141
105/377.05
4,821,648 A * 4/1989 Bramhall B61D 39/001
105/377.08
8,256,355 B2 * 9/2012 Dial B61D 39/001
105/264
D737,174 S * 8/2015 Gibney D12/41
2012/0048140 A1 * 3/2012 Dial B61D 39/001
105/377.05
2012/0118195 A1 * 5/2012 Creighton B61D 7/00
105/377.06

* cited by examiner

Primary Examiner — T. Chase Nelson

Assistant Examiner — Ania Aman

(74) *Attorney, Agent, or Firm* — Gesmer Updegrove LLP

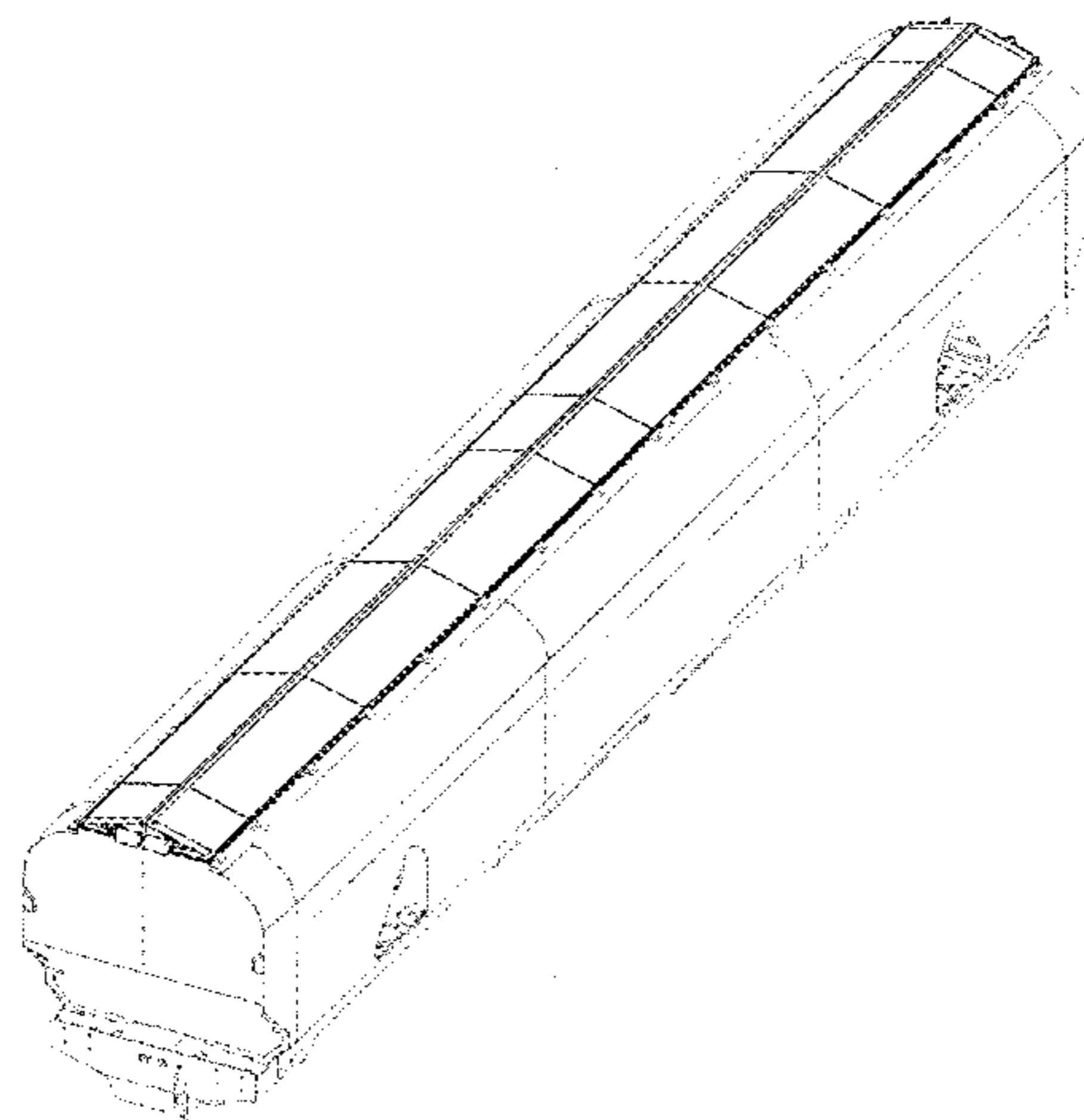
(57) **CLAIM**

What is claimed is the inlet door assembly of a hopper wagon, as shown and described.

DESCRIPTION

FIG. 1 depicts a perspective top view of a hopper wagon in accordance with the invention with the inlet door assembly in the closed position;
FIG. 2 depicts a perspective top view of the hopper wagon with the inlet door assembly of FIG. 1 in the open position;
FIG. 3 depicts an end view of the hopper wagon with the inlet door assembly of FIG. 1 in the closed position;
FIG. 4 depicts an end view of the hopper wagon with the inlet door assembly of FIG. 1 in the open position;
FIG. 5 depicts an upper end view of a portion of the hopper wagon with the inlet door assembly of FIG. 1 in the closed position; and,
FIG. 6 depicts a side view of a portion of the hopper wagon with the inlet door assembly of FIG. 1 in the closed position. The broken lines shown in the drawings are for the purpose of illustrating portions of the article and environmental structures that form no part of the claimed design.

1 Claim, 6 Drawing Sheets



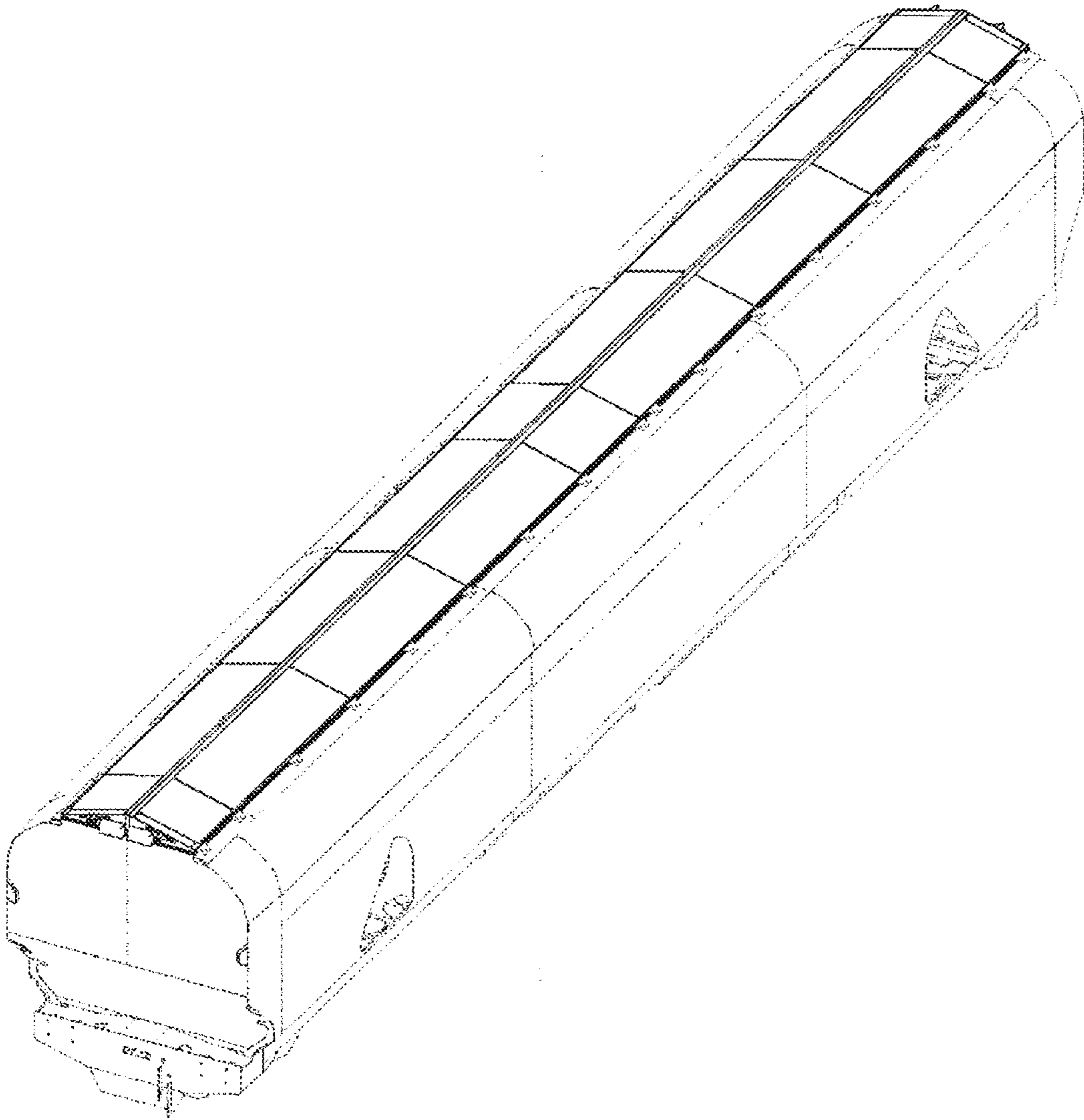


FIG. 1

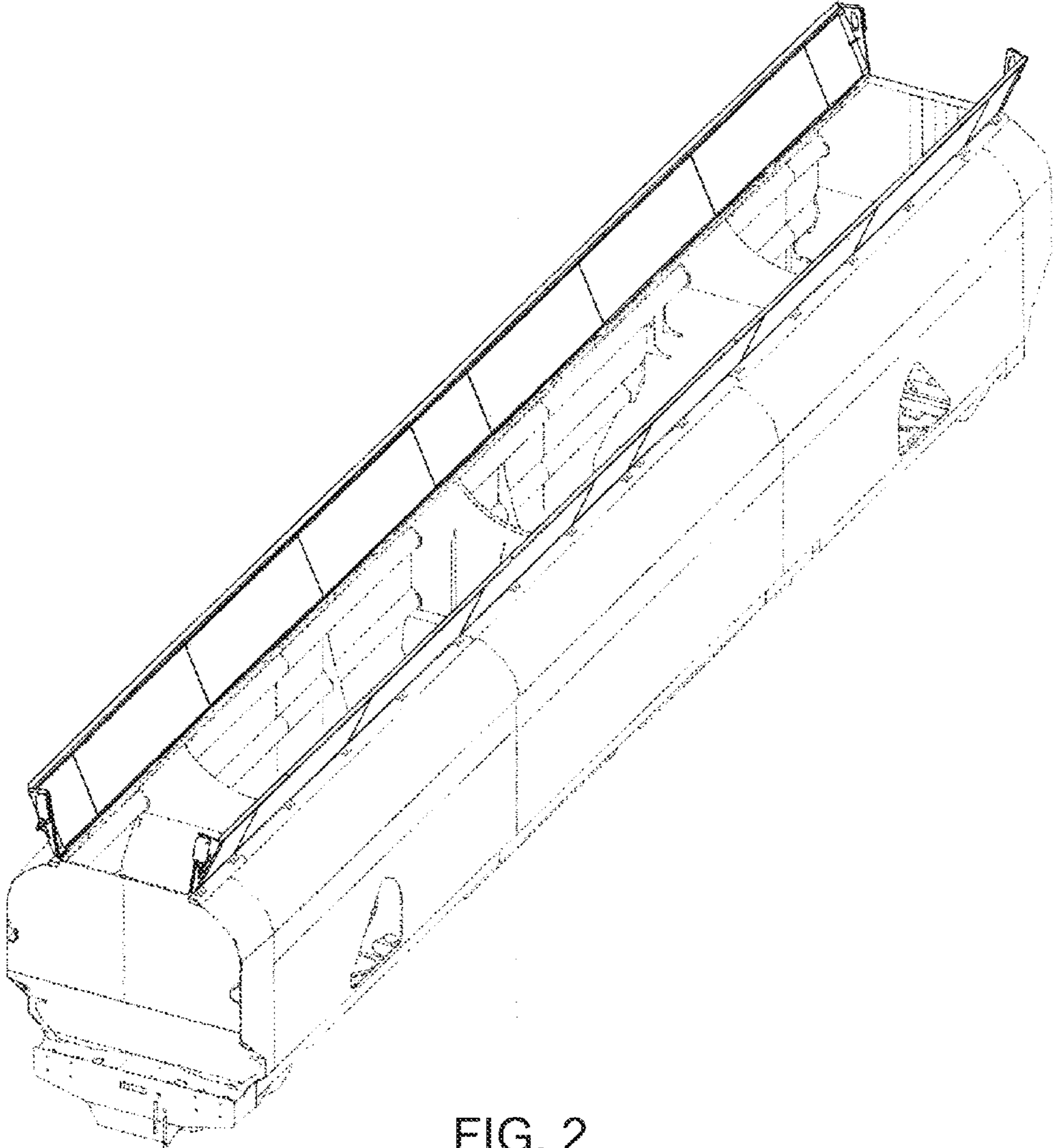


FIG. 2

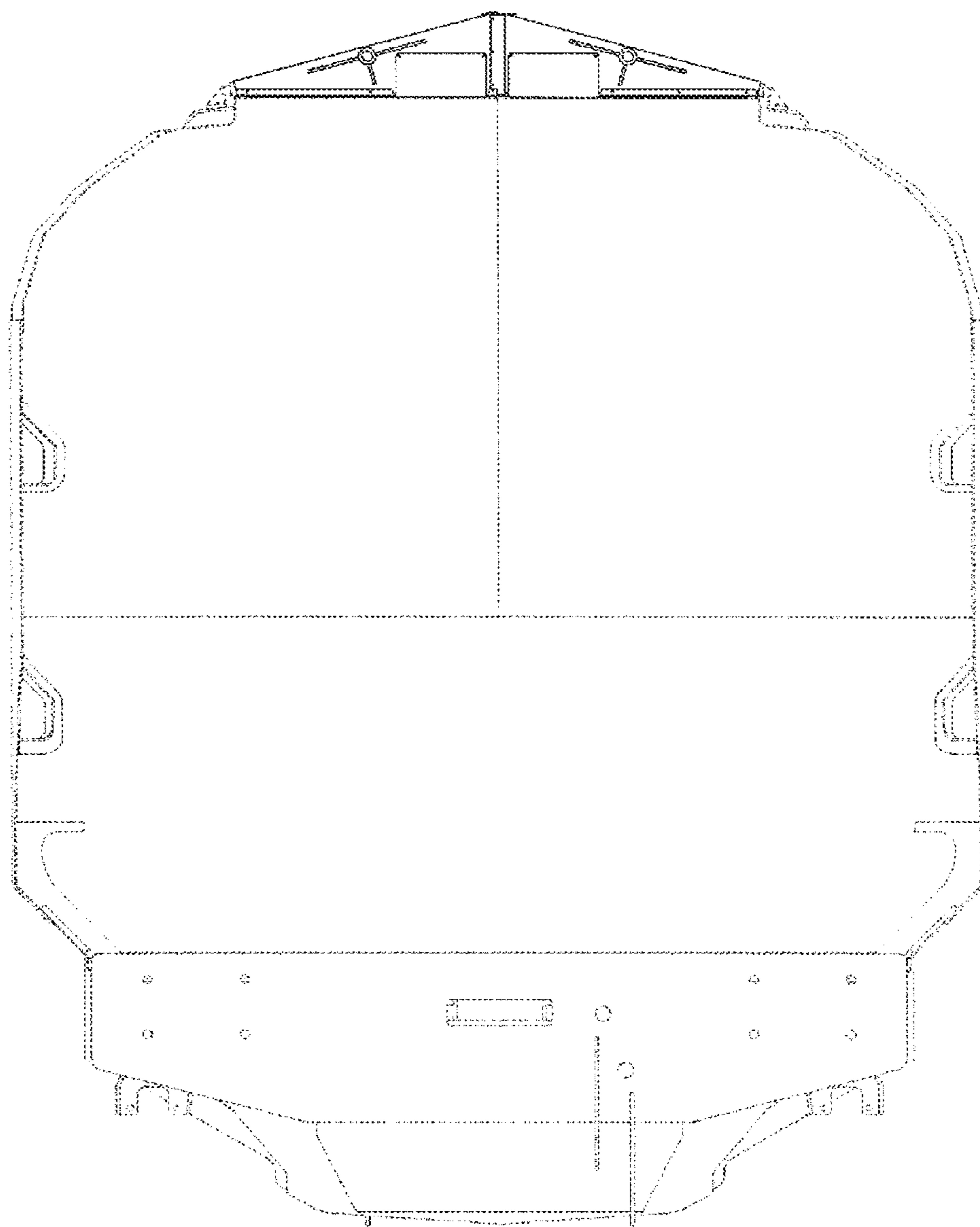


FIG. 3

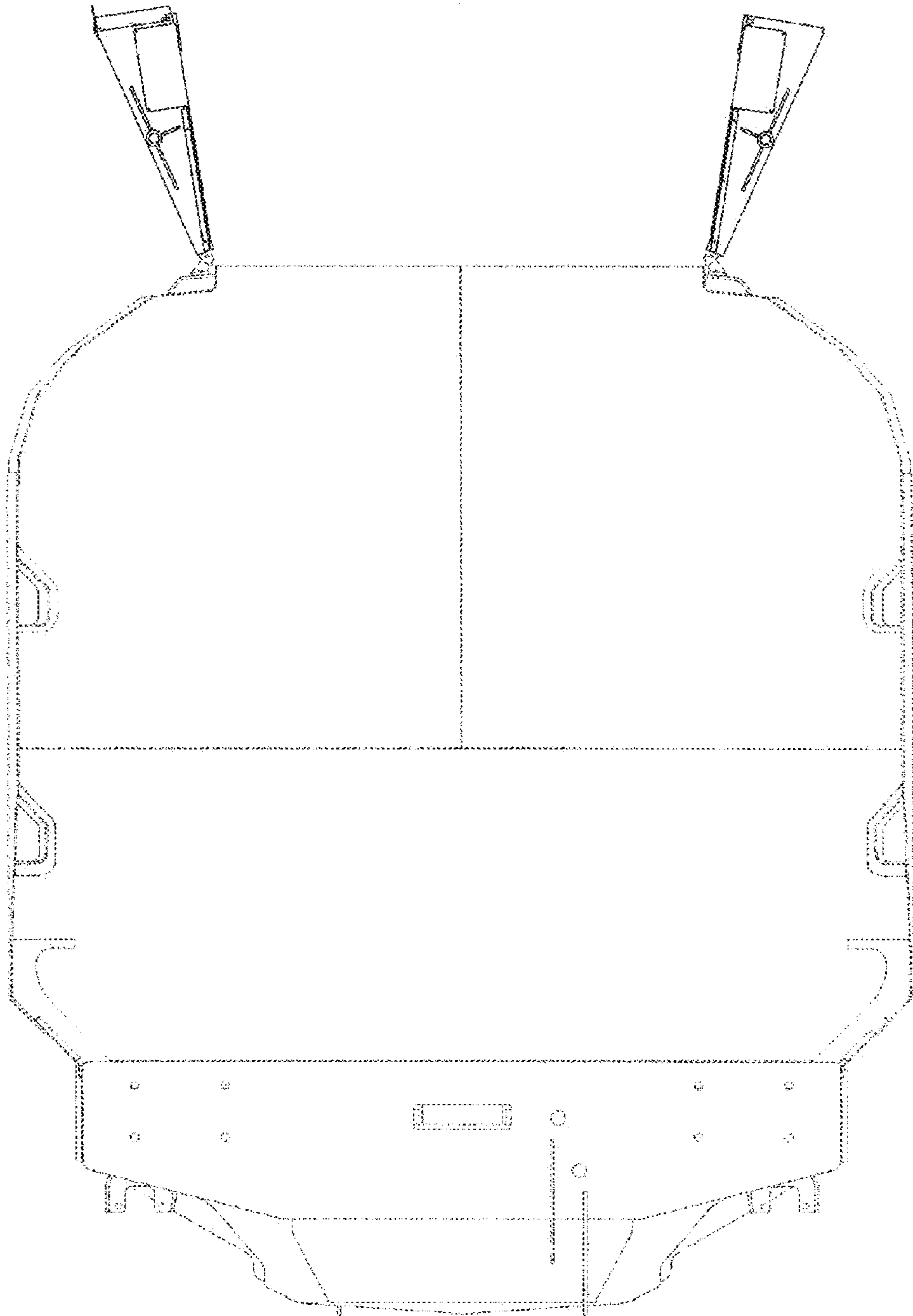


FIG. 4

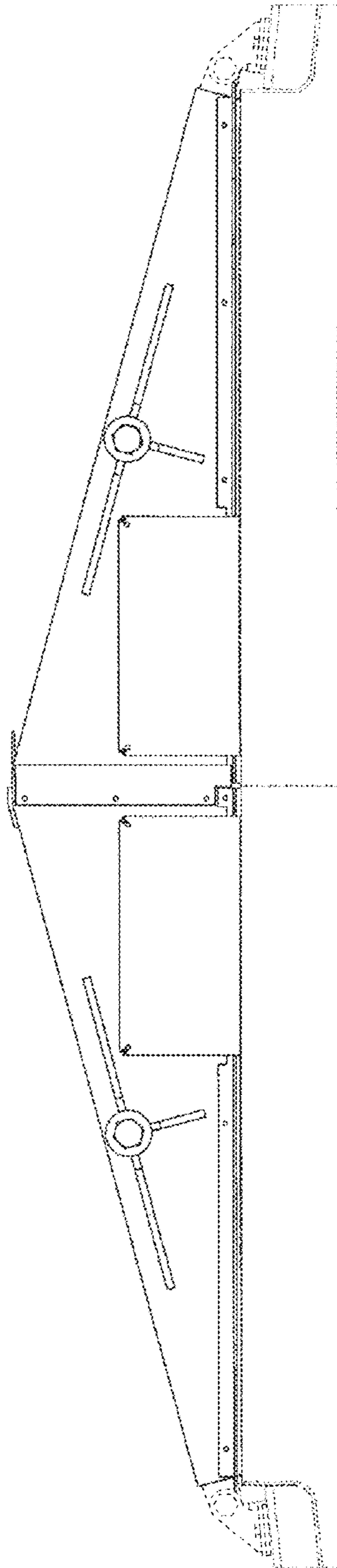


FIG. 5

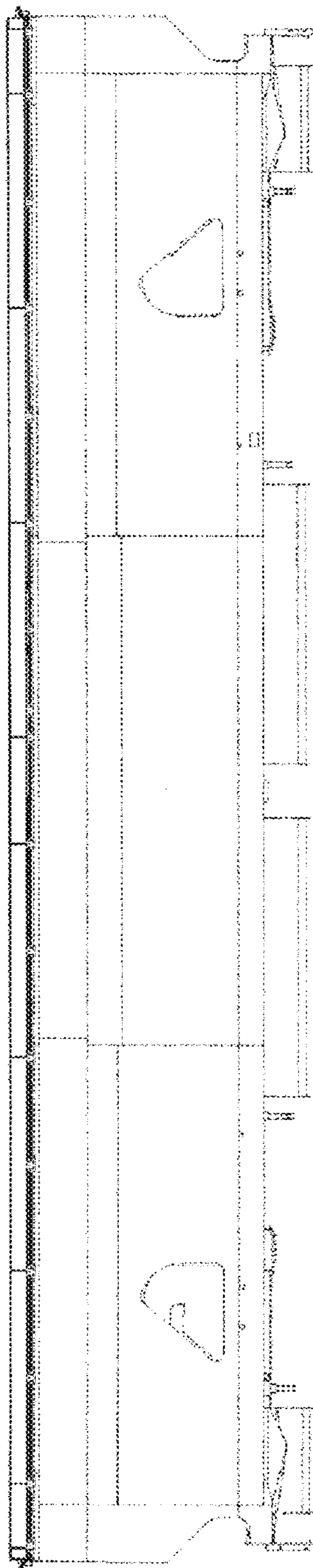


FIG. 6