



US00D761688S

(12) **United States Design Patent**  
**Akana et al.**

(10) **Patent No.:** **US D761,688 S**  
(45) **Date of Patent:** **\*\* Jul. 19, 2016**

(54) **BAND ATTACHMENT**

(71) Applicant: **Apple Inc.**, Cupertino, CA (US)

(72) Inventors: **Jody Akana**, San Francisco, CA (US);  
**Bartley K. Andre**, Palo Alto, CA (US);  
**Shota Aoyagi**, San Francisco, CA (US);  
**Anthony Michael Ashcroft**, San Francisco, CA (US);  
**Jeremy Bataillou**, San Francisco, CA (US);  
**Daniel J. Coster**, San Francisco, CA (US);  
**Daniele De Iuliis**, San Francisco, CA (US);  
**M. Evans Hankey**, San Francisco, CA (US);  
**Julian Hoenig**, San Francisco, CA (US);  
**Richard P. Howarth**, San Francisco, CA (US);  
**Jonathan P. Ive**, San Francisco, CA (US);  
**Duncan Robert Kerr**, San Francisco, CA (US);  
**Marc A. Newson**, London (GB);  
**Matthew Dean Rohrbach**, San Francisco, CA (US);  
**Peter Russell-Clarke**, San Francisco, CA (US);  
**Benjamin Andrew Shaffer**, San Jose, CA (US);  
**Mikael Silvanto**, San Francisco, CA (US);  
**Christopher J. Stringer**, Woodside, CA (US);  
**Eugene Antony Whang**, San Francisco, CA (US);  
**Rico Zörkendörfer**, San Francisco, CA (US)

(73) Assignee: **Apple Inc.**, Cupertino, CA (US)

(\*\*) Term: **14 Years**

(21) Appl. No.: **29/518,911**

(22) Filed: **Feb. 27, 2015**

**Related U.S. Application Data**

(63) Continuation of application No. 29/498,987, filed on Aug. 11, 2014, now Pat. No. Des. 749,460.

(51) **LOC (10) Cl.** ..... **11-01**

(52) **U.S. Cl.**  
USPC ..... **D11/94**

(58) **Field of Classification Search**

USPC ..... D11/1-25, 32, 93, 94; 59/78, 79.2;  
63/1.11, 3, 3.1, 3.2, 5.1, 5.2, 7-11;  
224/175; D10/30-32  
CPC ..... A44C 5/02-5/246  
See application file for complete search history.

(56) **References Cited**

U.S. PATENT DOCUMENTS

3,030,686 A 4/1962 Burkhardt  
3,665,565 A 5/1972 Kruger

(Continued)

FOREIGN PATENT DOCUMENTS

EP 2636328 A1 9/2013  
GB 618917 A 3/1949

(Continued)

OTHER PUBLICATIONS

Design U.S. Appl. No. 29/498,987, filed August 11, 2014.

(Continued)

*Primary Examiner* — Zenia Bennett

(74) *Attorney, Agent, or Firm* — Sterne, Kessler, Goldstein & Fox P.L.L.C.

(57) **CLAIM**

The ornamental design for a band attachment, as shown and described.

**DESCRIPTION**

FIG. 1 is a bottom front perspective view of a band attachment showing our new design;

FIG. 2 is a bottom rear perspective view thereof;

FIG. 3 is a front view thereof;

FIG. 4 is a rear view thereof;

FIG. 5 is a left side view thereof;

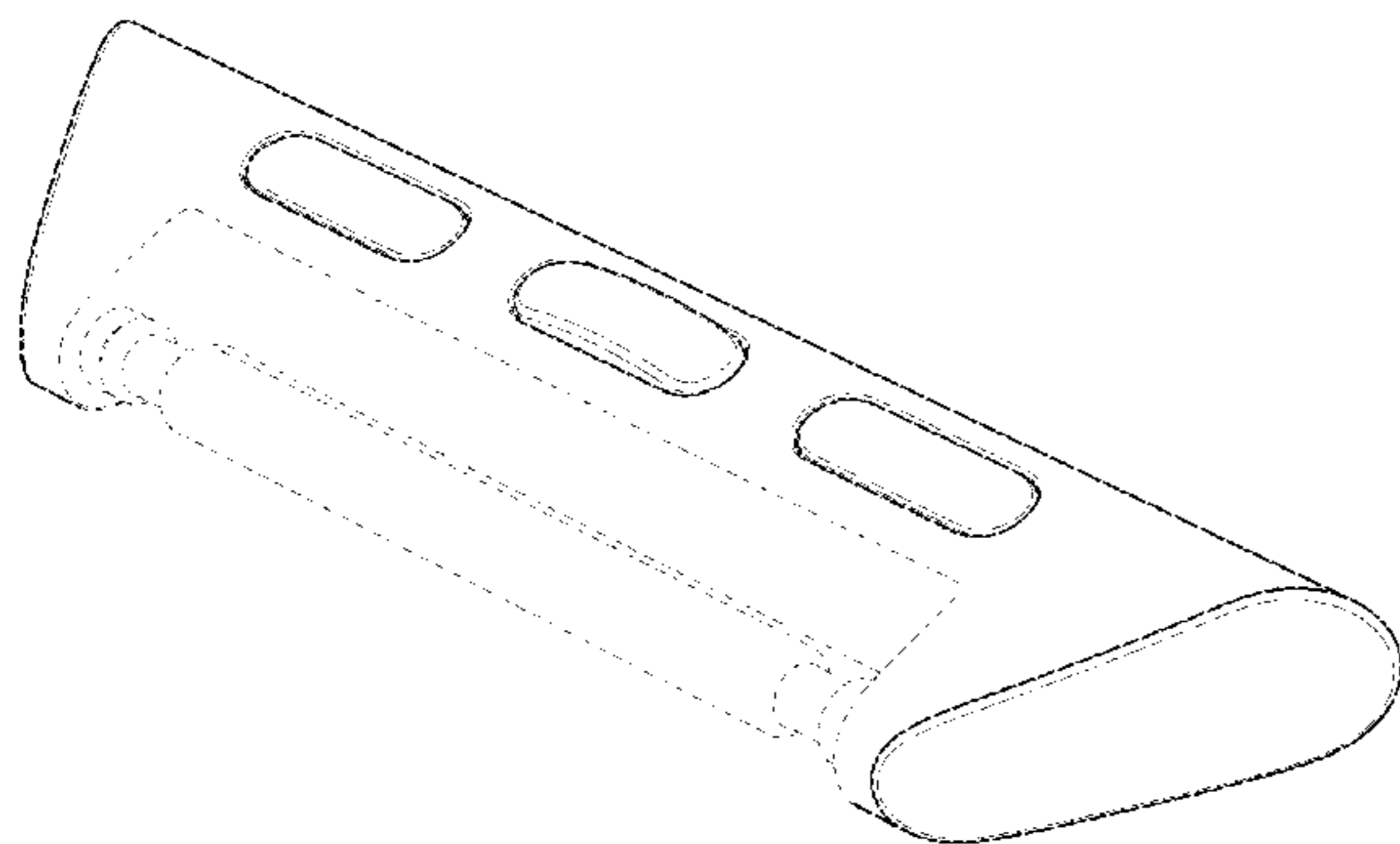
FIG. 6 is a right side view thereof;

FIG. 7 is a bottom view thereof; and,

FIG. 8 is a top view thereof.

The broken lines in the Figures show portions of the band attachment that form no part of the claimed design.

**1 Claim, 4 Drawing Sheets**



(56)

**References Cited**

U.S. PATENT DOCUMENTS

3,675,284 A 7/1972 Rieth  
 3,965,670 A \* 6/1976 Ihringer ..... A44C 5/14  
 224/175  
 5,363,351 A 11/1994 Carney  
 D473,818 S 4/2003 Salvisberg  
 D494,098 S 8/2004 Cohen  
 8,601,784 B2 12/2013 Kaltenrieder  
 D727,787 S \* 4/2015 Akana ..... D11/94  
 D731,346 S \* 6/2015 Akana ..... D11/3  
 D747,234 S \* 1/2016 Akana ..... D11/3  
 D748,008 S \* 1/2016 Akana ..... D11/94  
 D748,009 S \* 1/2016 Akana ..... D11/94  
 D748,010 S \* 1/2016 Akana ..... D11/94  
 D748,527 S \* 2/2016 Akana ..... D11/94  
 D749,450 S \* 2/2016 Akana ..... D11/3  
 D749,460 S \* 2/2016 Akana ..... D11/94  
 D749,977 S \* 2/2016 Akana ..... D11/3  
 D750,524 S \* 3/2016 Akana ..... D11/3  
 D750,525 S \* 3/2016 Akana ..... D11/3  
 2014/0096345 A1 4/2014 Tschumi  
 2014/0098649 A1 4/2014 Tschumi

FOREIGN PATENT DOCUMENTS

GB 2082277 5/1984  
 WO 2013182397 A1 12/2013

OTHER PUBLICATIONS

Design U.S. Appl. No. 29/498,990, filed Aug. 11, 2014.  
 Design U.S. Appl. No. 29/499,052, filed Aug. 11, 2014.

Design U.S. Appl. No. 29/498,997, filed Aug. 11, 2014.  
 Design U.S. Appl. No. 29/498,996, filed Aug. 11, 2014.  
 Design U.S. Appl. No. 29/498,995, filed Aug. 11, 2014.  
 Design U.S. Appl. No. 29/498,994, filed Aug. 11, 2014.  
 Design U.S. Appl. No. 29/501,763, filed Sep. 8, 2014.  
 Design U.S. Appl. No. 29/499,067, filed Aug. 11, 2014.  
 Design U.S. Appl. No. 29/499,069, filed Aug. 11, 2014.  
 Design U.S. Appl. No. 29/499,068, filed Aug. 11, 2014.  
 Design U.S. Appl. No. 29/499,061, filed Aug. 11, 2014.  
 Design U.S. Appl. No. 29/501,760, filed Sep. 8, 2014.  
 Design U.S. Appl. No. 29/501,772, filed Sep. 8, 2014.  
 Design U.S. Appl. No. 29/501,152, filed Sep. 2, 2014.  
 Design U.S. Appl. No. 29/499,088, filed Aug. 11, 2014.  
 Design U.S. Appl. No. 29/499,091, filed Aug. 11, 2014.  
 Design U.S. Appl. No. 29/499,090, filed Aug. 11, 2014.  
 Design U.S. Appl. No. 29/499,080, filed Aug. 11, 2014.  
 Design U.S. Appl. No. 29/499,081, filed Aug. 11, 2014.  
 Design U.S. Appl. No. 29/499,082, filed Aug. 11, 2014.  
 Design U.S. Appl. No. 29/501,624, filed Sep. 5, 2014.  
 Design U.S. Appl. No. 29/501,733, filed Sep. 8, 2014.  
 Design U.S. Appl. No. 29/501,720, filed Sep. 8, 2014.  
 Design U.S. Appl. No. 29/501,722, filed Sep. 8, 2014.  
 Design U.S. Appl. No. 29/501,746, filed Sep. 8, 2014.  
 Design U.S. Appl. No. 29/501,759, filed Sep. 8, 2014.  
 Design U.S. Appl. No. 29/501,723, filed Sep. 8, 2014.  
 Design U.S. Appl. No. 29/501,737, filed Sep. 8, 2014.  
 etsy.com, “1 Set Silver End Cap Clasp—Findings Large Toggle Clasp End Caps Buckle Connector with Five Inside Loops for Jewelry Making 26mm,” <<http://www.etsy.com/listing/101269004/1-set-silver-end-cap-clasp-findings?ref=market>>, Listed on Aug. 29, 2014, accessed Oct. 9, 2014.

\* cited by examiner

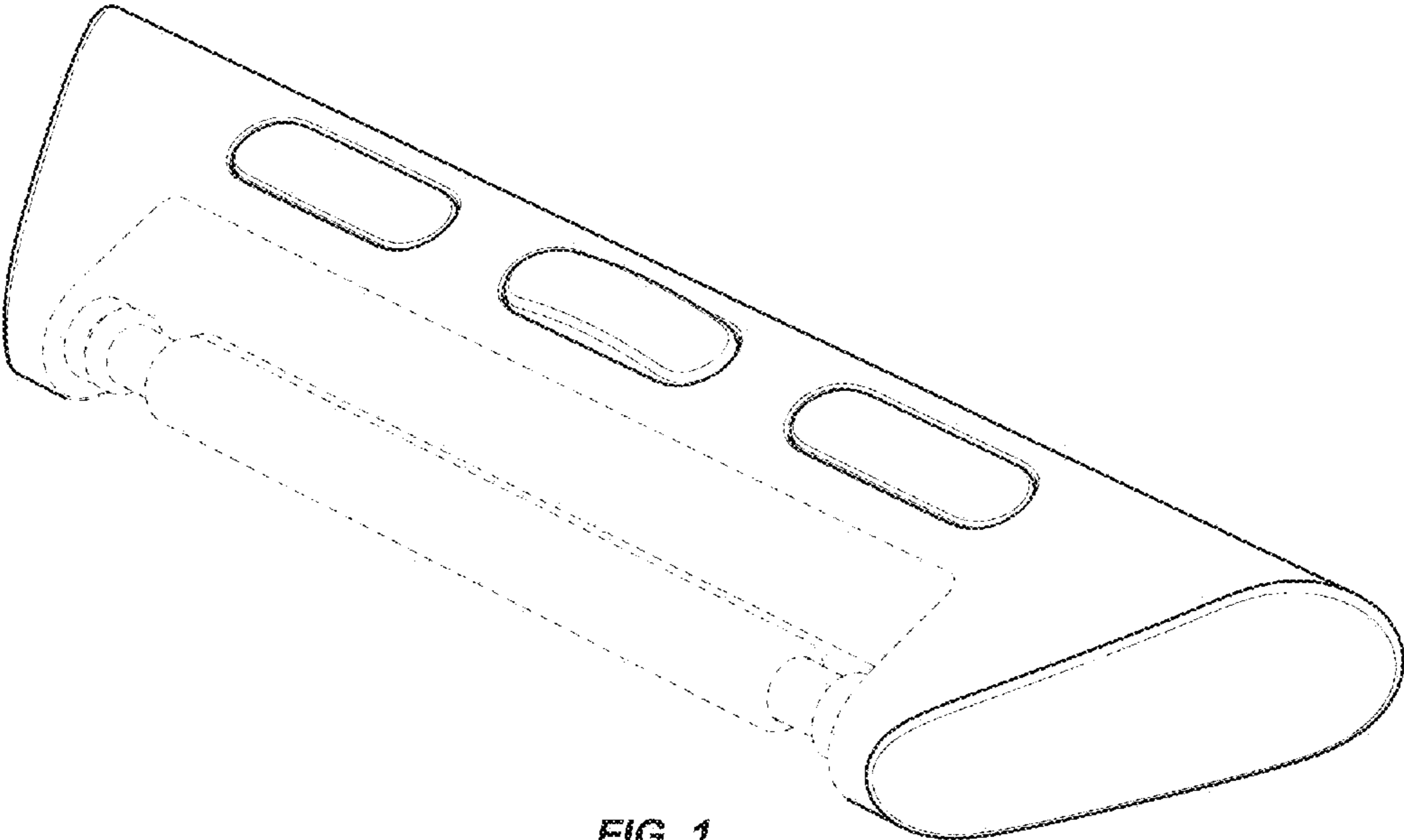


FIG. 1

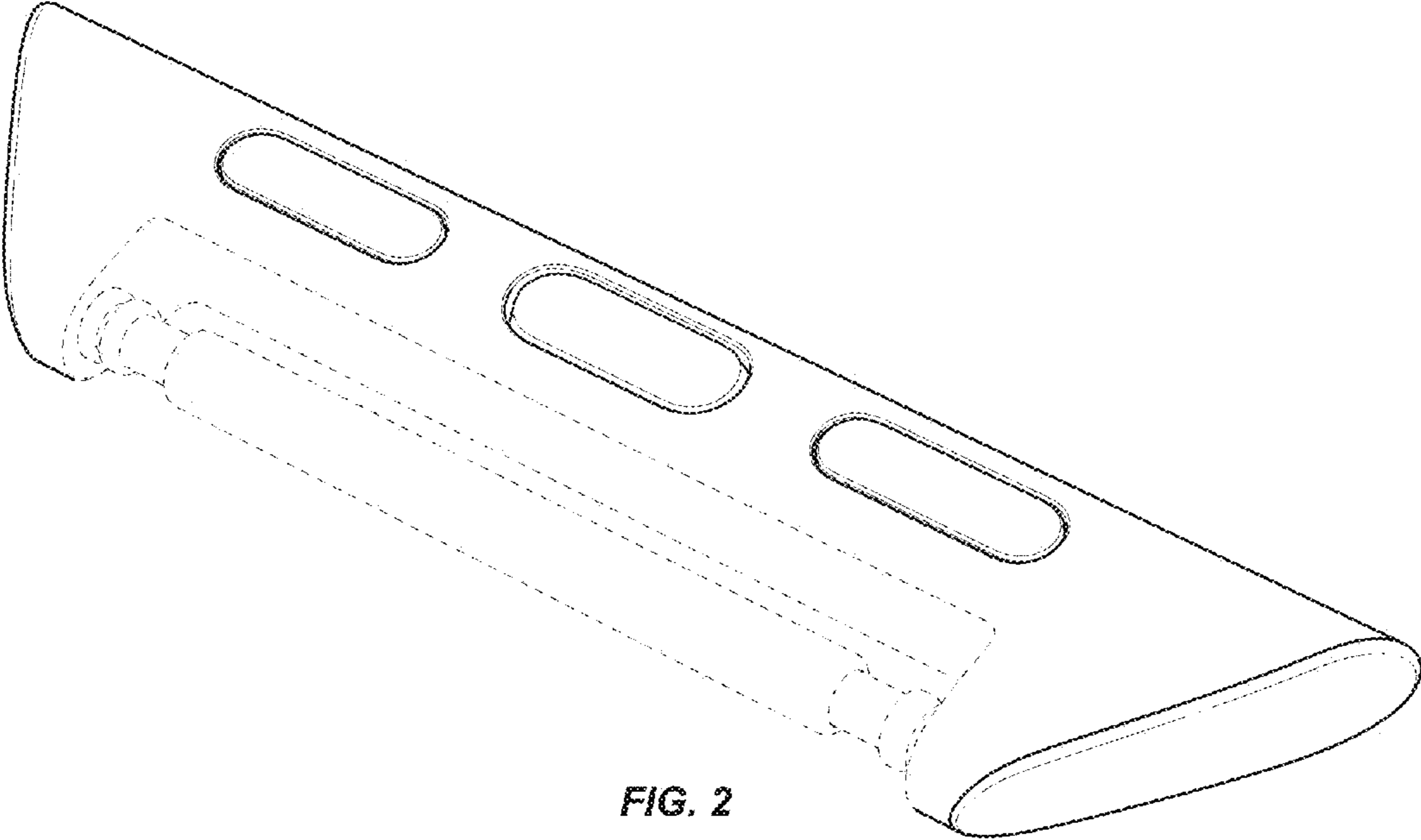


FIG. 2

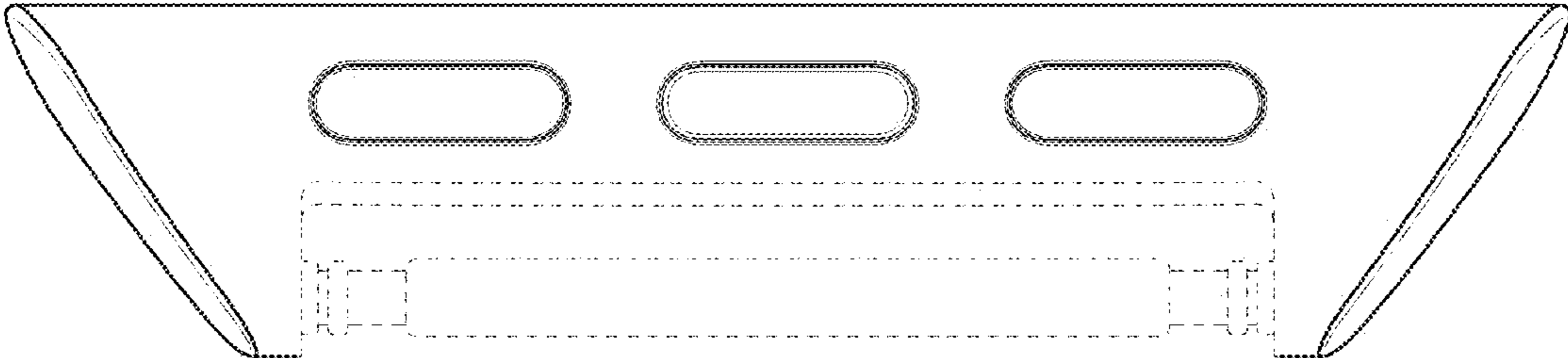


FIG. 3

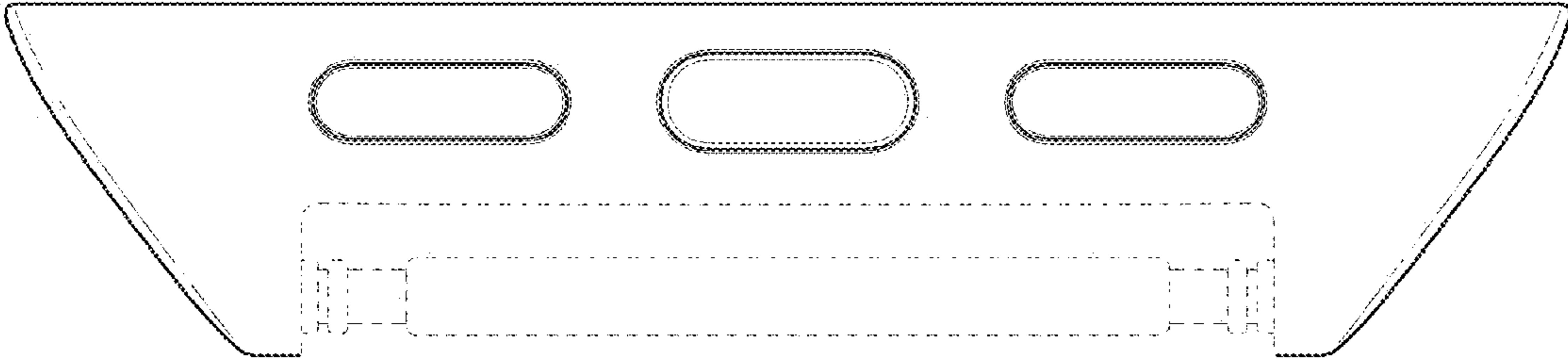
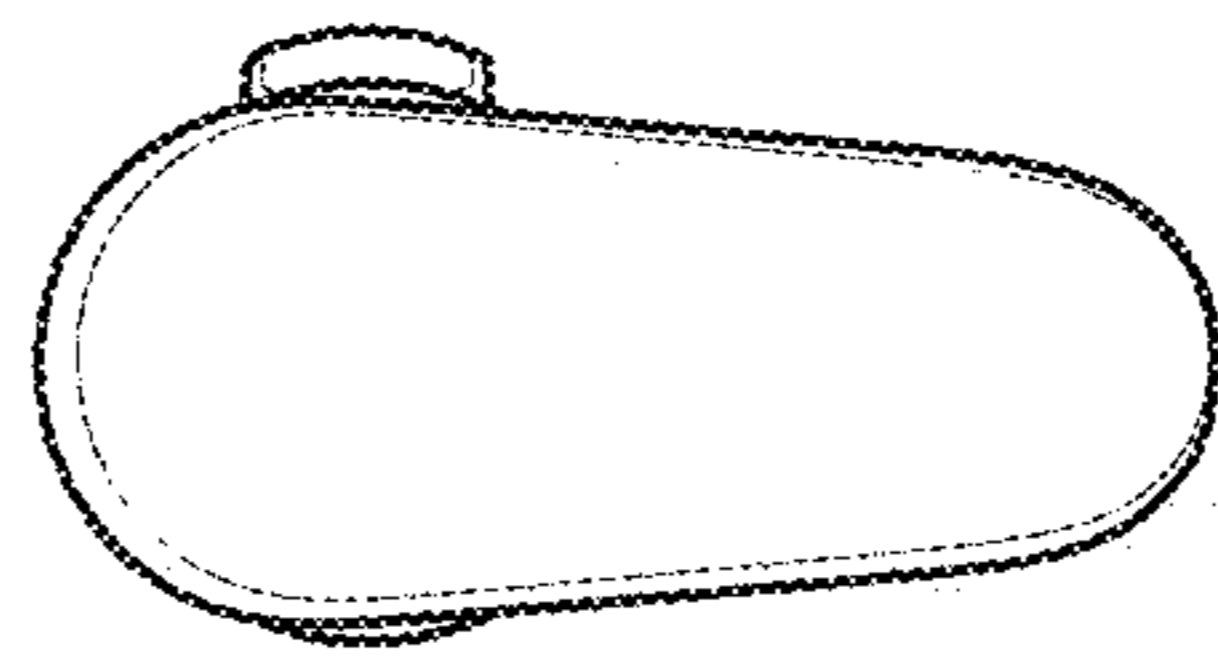
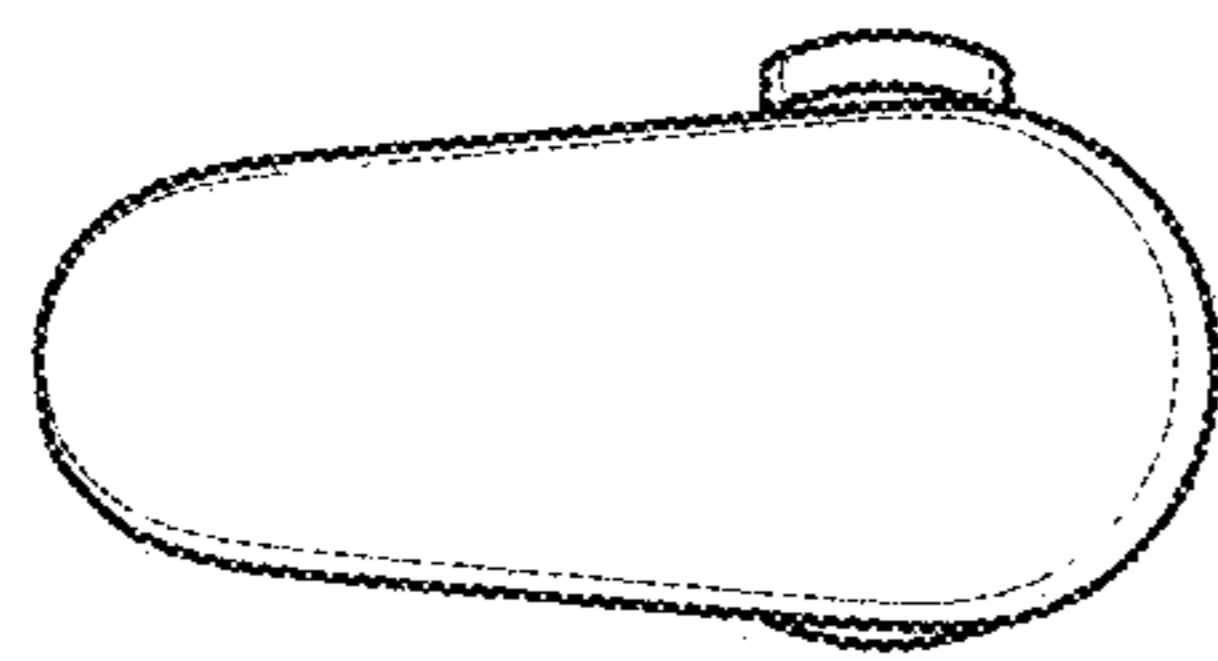


FIG. 4



**FIG. 5**



**FIG. 6**

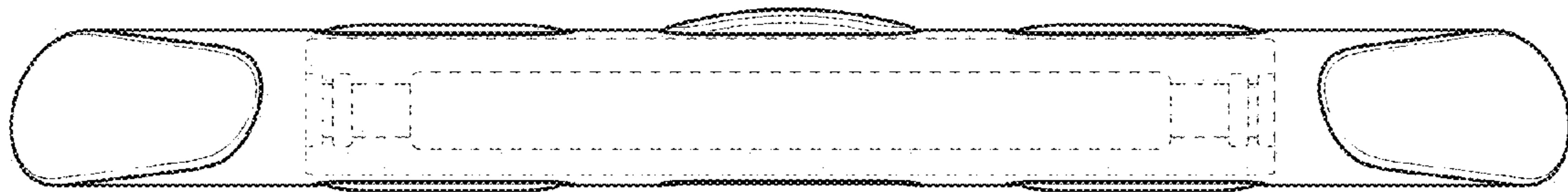


FIG. 7

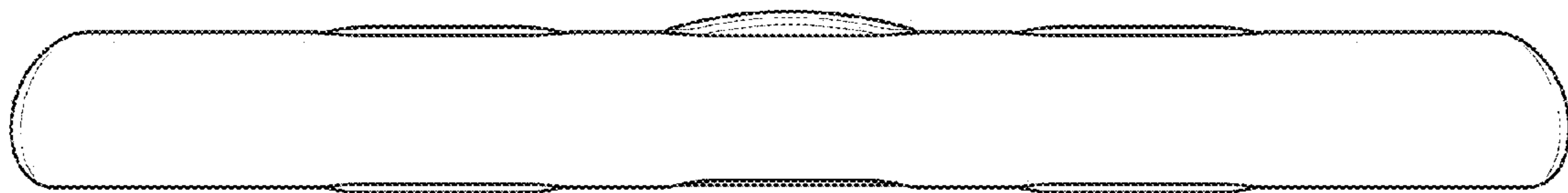


FIG. 8