



US00D761687S

(12) **United States Design Patent**
Venturini Fendi

(10) **Patent No.:** **US D761,687 S**
(45) **Date of Patent:** **** Jul. 19, 2016**

(54) **CLASP**

(71) Applicant: **Fendi Adele S.r.l.**, Rome (IT)

(72) Inventor: **Maria Silvia Venturini Fendi**, Rome (IT)

(73) Assignee: **FENDI ADELE S.R.L.**, Rome (IT)

(**) Term: **14 Years**

(21) Appl. No.: **29/523,386**

(22) Filed: **Apr. 9, 2015**

(30) **Foreign Application Priority Data**

Oct. 13, 2014 (EM) 002555755-0001

(51) **LOC (10) Cl.** **11-01**

(52) **U.S. Cl.**
USPC **D11/87**

(58) **Field of Classification Search**

USPC D11/1-2, 7, 40-44, 46-49, 53, 56, 57,
D11/59-61, 63, 65, 79-83, 86-87, 89-92,
D11/99, 101, 106, 114-116, 200-201;
63/18-20

CPC A44C 5/02-5/246

See application file for complete search history.

(56) **References Cited**

U.S. PATENT DOCUMENTS

D264,828	S *	6/1982	Gray	D11/87
4,881,305	A *	11/1989	Rivera	A44C 5/2047 24/616
5,231,740	A *	8/1993	Mohebkhosravi	...	A44C 5/2047 24/574.1
5,826,309	A *	10/1998	Tsamas	A44C 5/2052 24/265 WS
6,453,520	B2 *	9/2002	Borgomanero	A45C 13/26 150/104
7,093,332	B1 *	8/2006	Kay	A44C 5/2057 24/647
9,101,183	B2 *	8/2015	Szellos	A44B 11/258

* cited by examiner

Primary Examiner — Zenia Bennett

(74) *Attorney, Agent, or Firm* — Lucas & Mercanti, LLP.

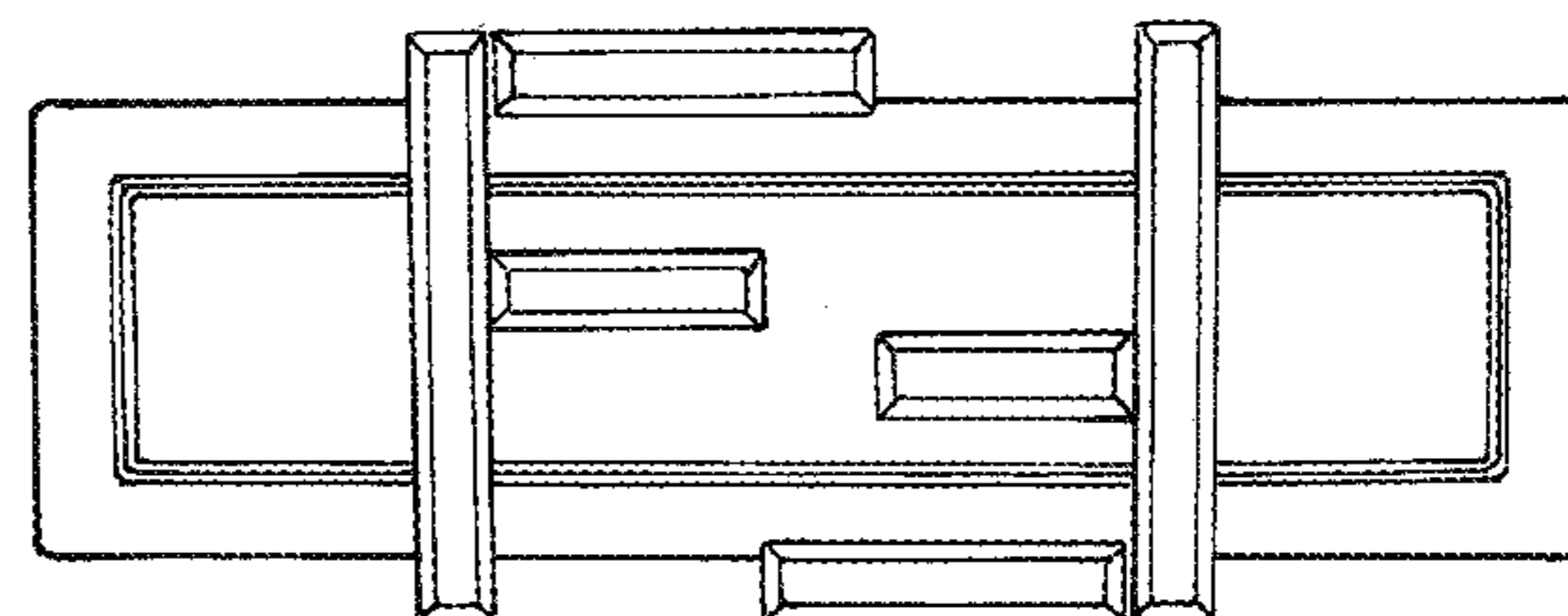
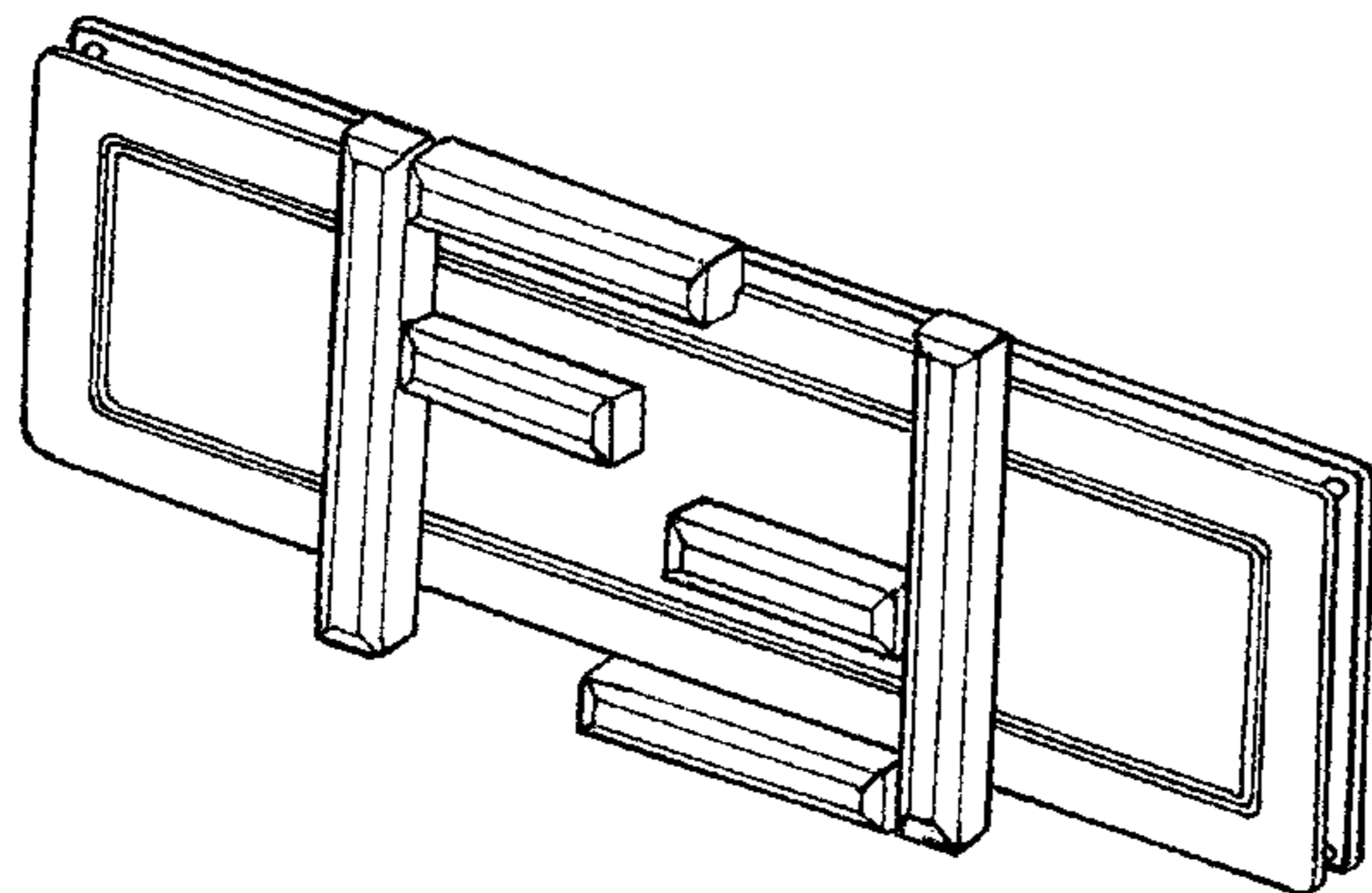
(57) **CLAIM**

The ornamental design for a clasp, as shown and described.

DESCRIPTION

FIG. 1 is a perspective view of a clasp according to the design;
FIG. 2 is a front view thereof;
FIG. 3 is a bottom view thereof;
FIG. 4 is a top view thereof;
FIG. 5 is a rear view thereof;
FIG. 6 is a left side view thereof;
FIG. 7 is a perspective view of the clasp in an open configuration, with the two elements of the clasp separated between each other following a 90° rotation of the two vertical bars of the letters "F" on the front of the clasp; and,
FIG. 8 is a right side view thereof.

1 Claim, 8 Drawing Sheets



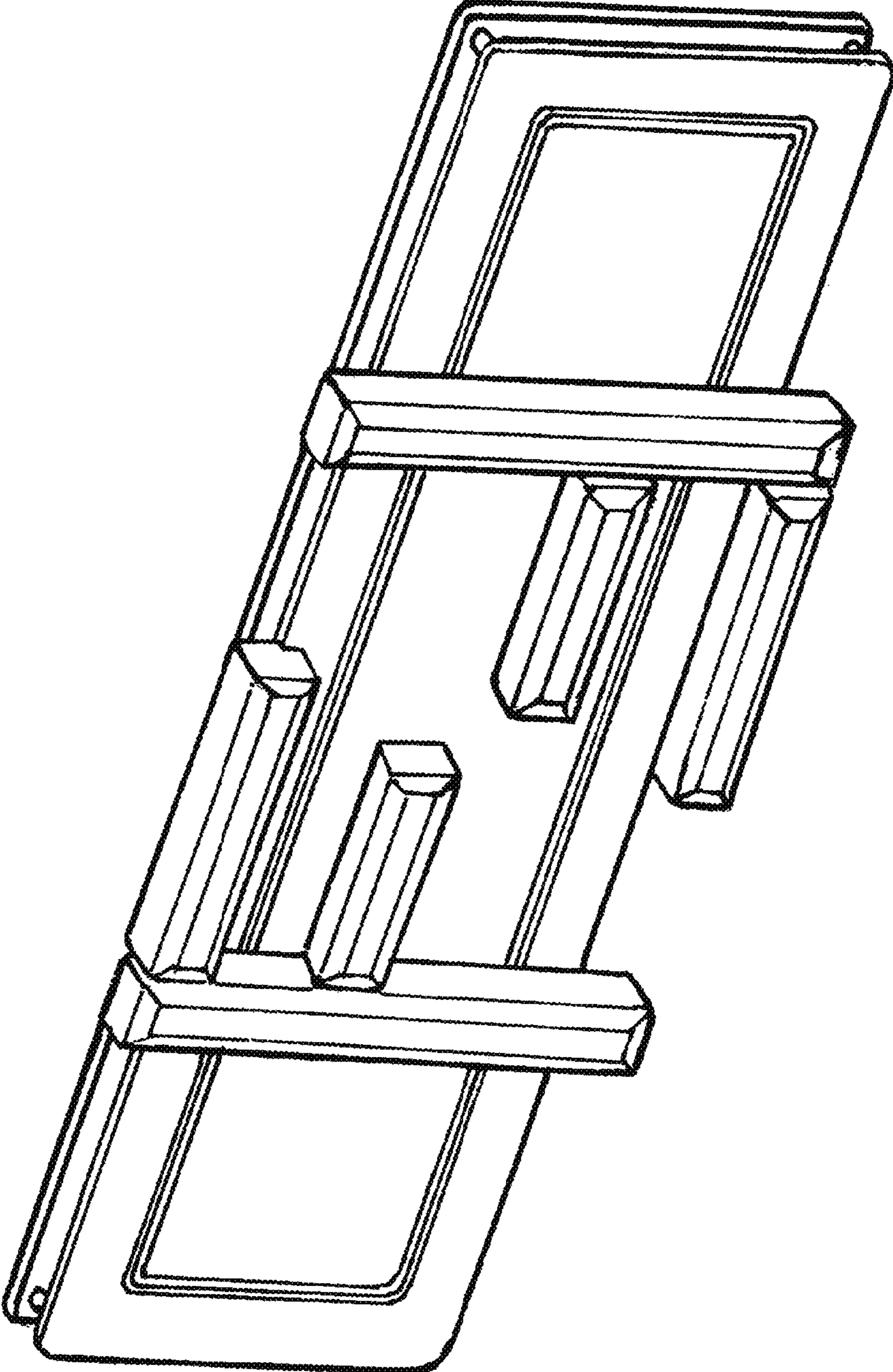


FIG. 1

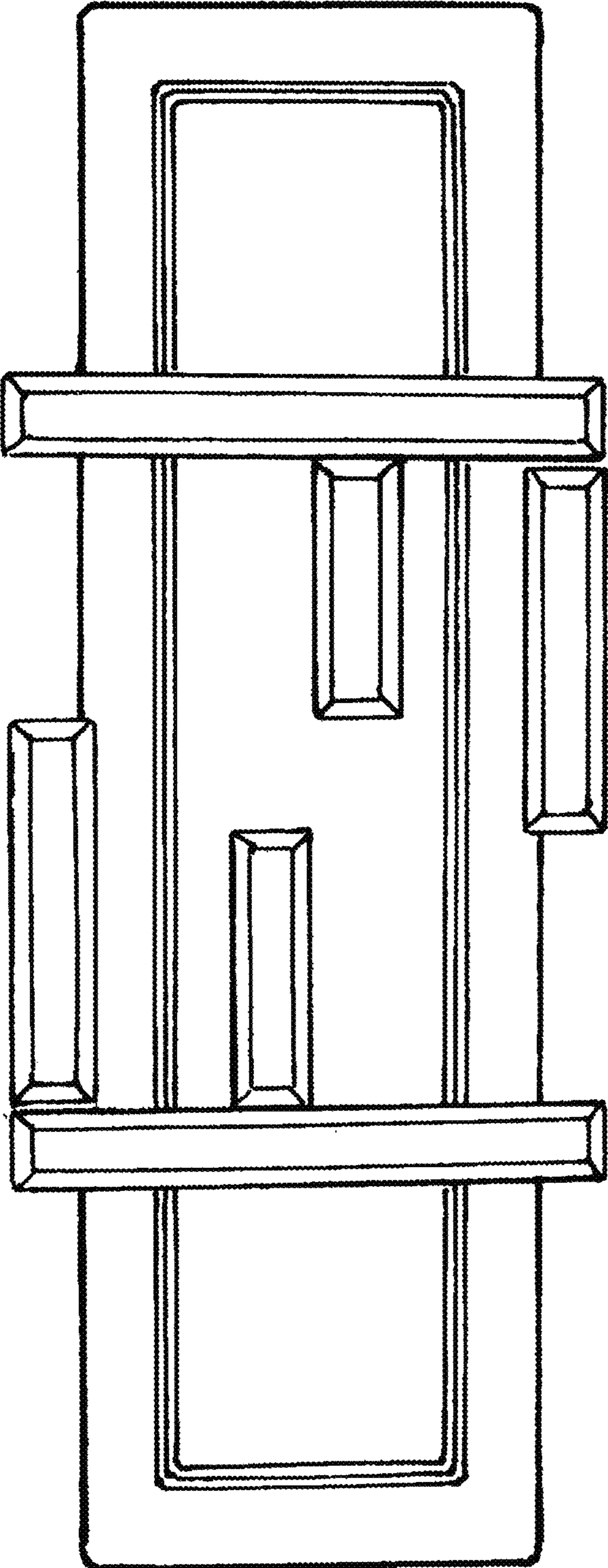


FIG. 2

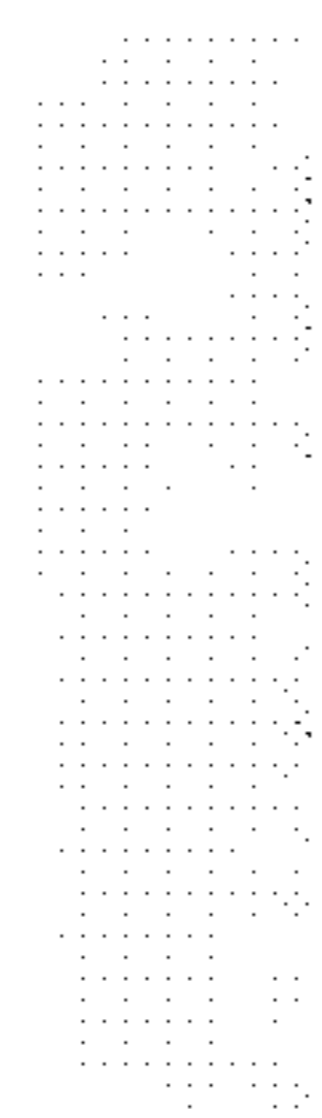
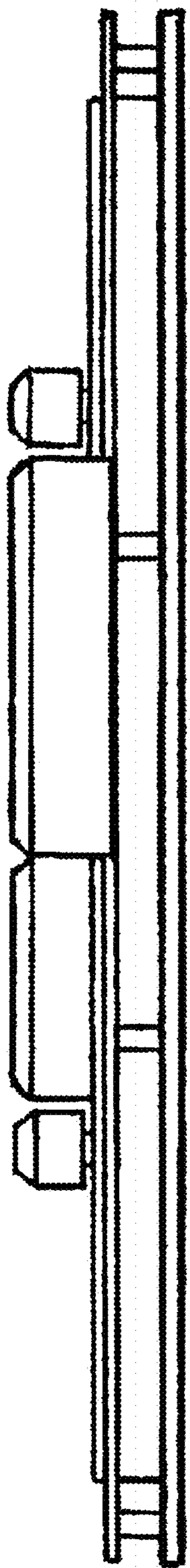


FIG. 3

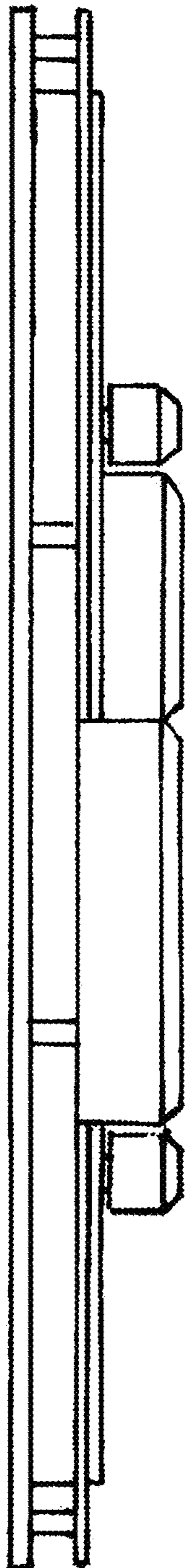


FIG. 4

FIG. 4

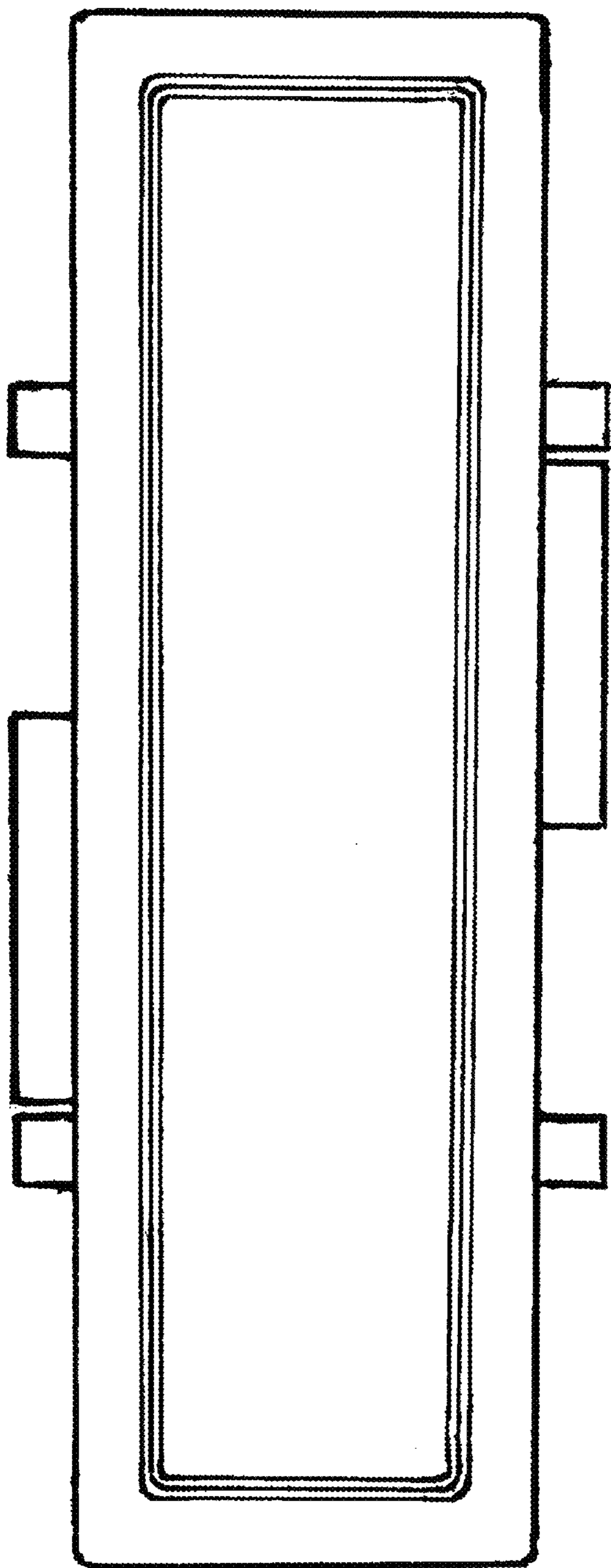


FIG. 5

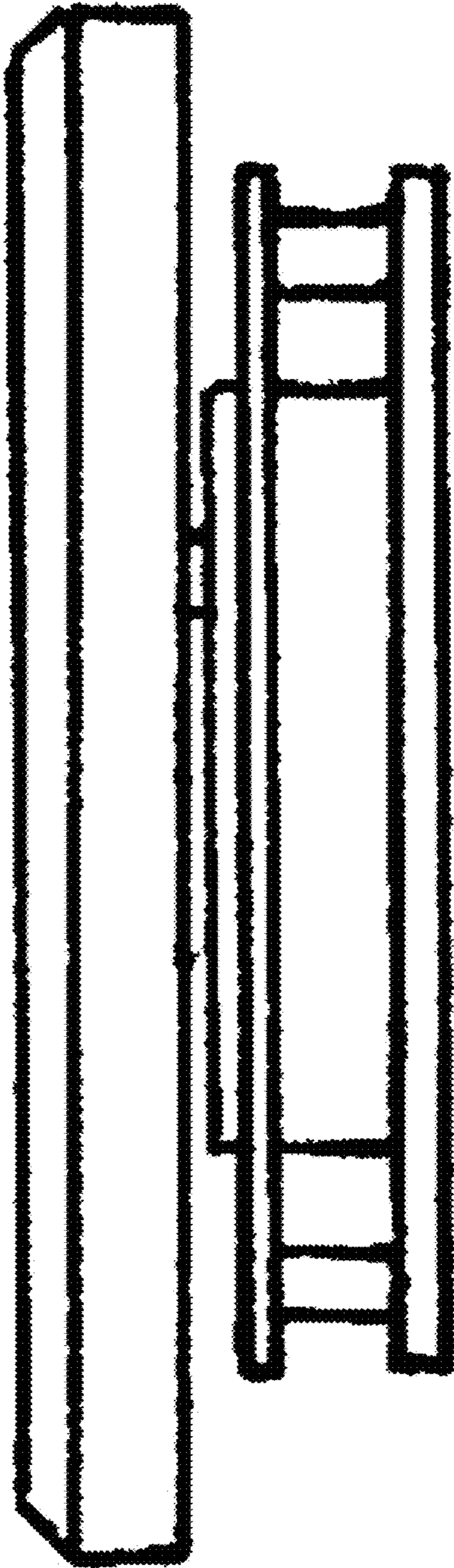


FIG. 6

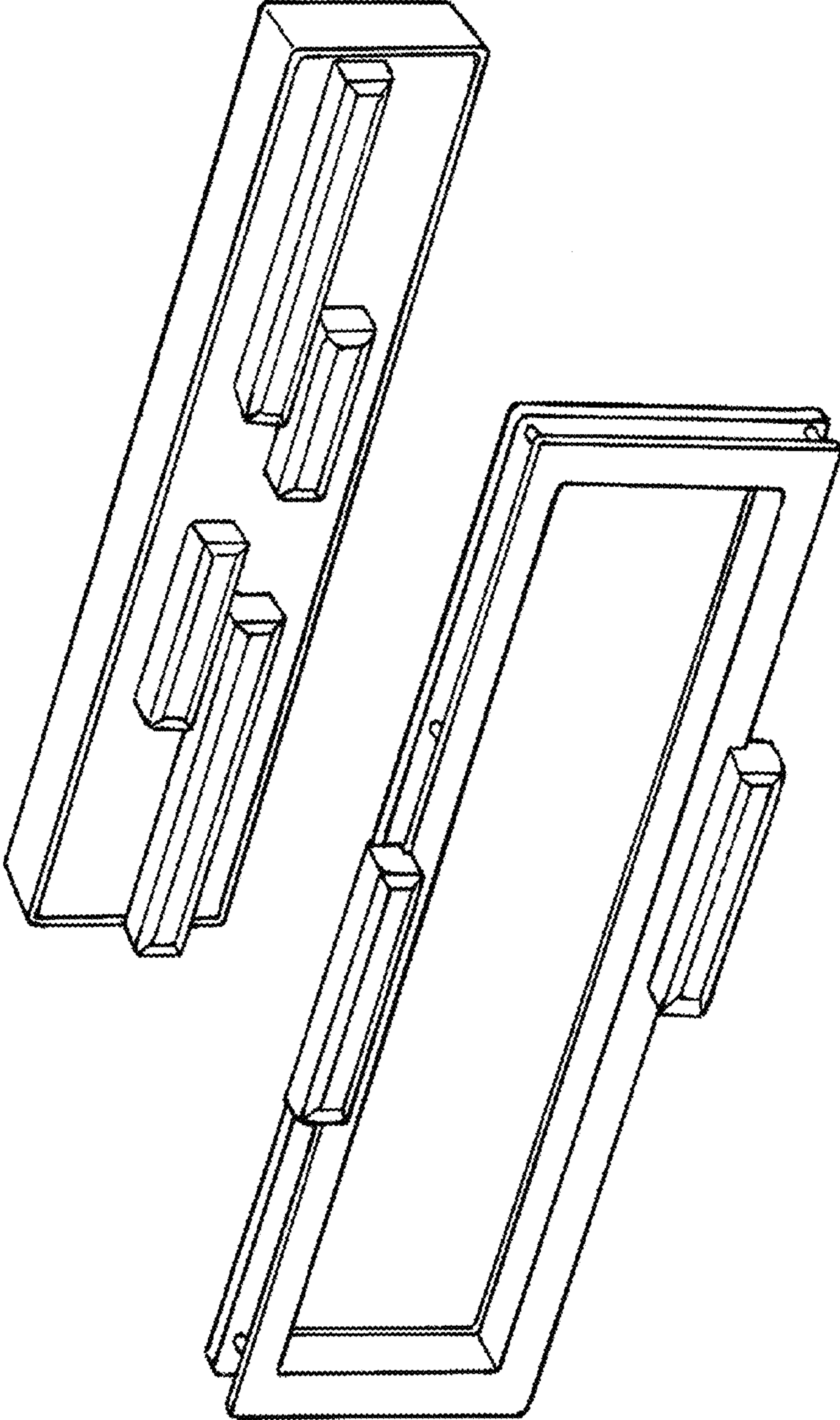


FIG. 7

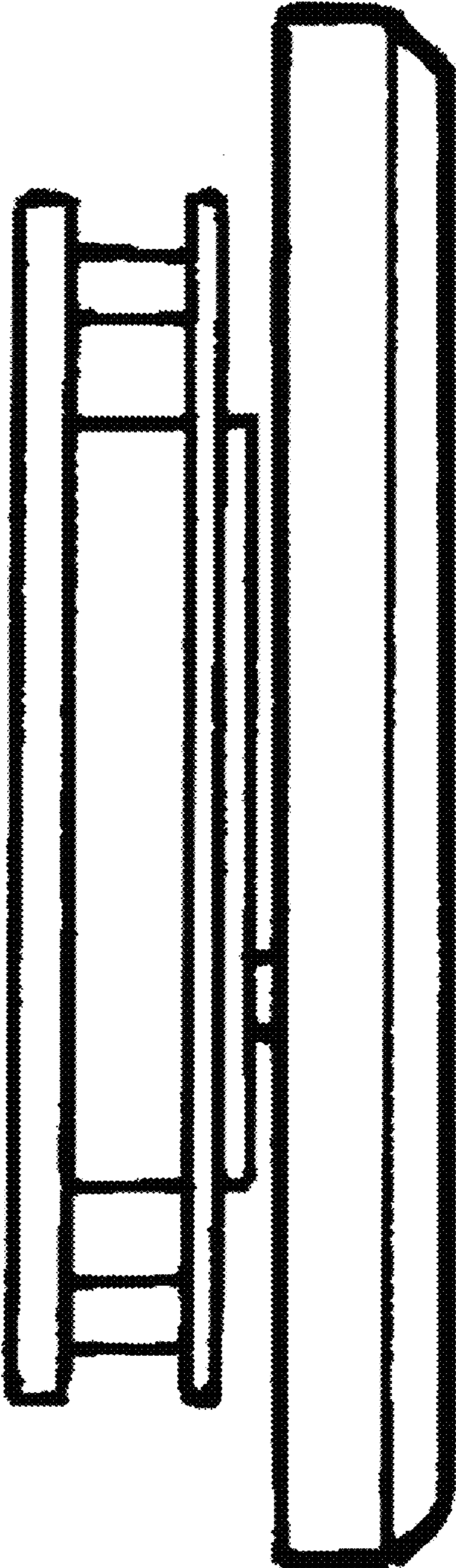


FIG. 8